



US00D563246S

(12) **United States Design Patent**
Ishii et al.

(10) **Patent No.:** **US D563,246 S**
(45) **Date of Patent:** **** Mar. 4, 2008**

(54) **ROOF OF ROTATING LASER HAVING TELESCOPIC SIGHT**

D469,738 S * 2/2003 Ishii D10/66

* cited by examiner

(75) Inventors: **Mitsuo Ishii**, Itabashi-ku (JP);
Shinsuke Kaneko, Itabashi-ku (JP)

Primary Examiner—Antoine D. Davis
(74) *Attorney, Agent, or Firm*—Jacobson Holman PLLC

(73) Assignee: **Kabushiki Kaisha Topcon**, Tokyo (JP)

(57) **CLAIM**

(**) Term: **14 Years**

The ornamental design for a roof of a rotating laser having telescopic sight, as shown and described.

(21) Appl. No.: **29/274,398**

(22) Filed: **Apr. 20, 2007**

DESCRIPTION

(51) **LOC (8) Cl.** **10-04**

(52) **U.S. Cl.** **D10/66; D10/69; D10/70**

(58) **Field of Classification Search** D10/66,
D10/69, 70; 33/276, 277, 281, 285, 286,
33/290, 291–299, DIG. 21; 340/573.1–573.4,
340/539, 825.36, 825.46, 825.49, 357.02,
340/357.07–357.09; 356/5.15, 4.01, 5.01,
356/4.05, 5.05–5.09, 5.12, 28.5, 345, 375,
356/3.01, 128–155, 399–400; 385/83, 97–99,
385/134–139; 701/211–213, 150, 158; 264/1.24–1.25
See application file for complete search history.

FIG. 1 is a front view of the roof of rotating laser;
FIG. 2 is a rear view of the roof of rotating laser;
FIG. 3 is a left-side view of the roof of rotating laser;
FIG. 4 is a right-side view of the roof of rotating laser;
FIG. 5 is a plan view of the roof of rotating laser;
FIG. 6 is a bottom view of the roof of rotating laser;
FIG. 7 is a plan view of the rotating laser having telescopic sight; and,

FIG. 8 is a perspective view of the rotating laser having telescopic sight taken from front, right, upper direction.

The broken line showing of portions of a laser is included for the purpose of illustrating non-claimed subject matter and forms no part of the claimed design.

(56) **References Cited**

U.S. PATENT DOCUMENTS

D383,075 S * 9/1997 Sawaguchi et al. D10/66
D469,369 S * 1/2003 Durkin D10/66

1 Claim, 3 Drawing Sheets

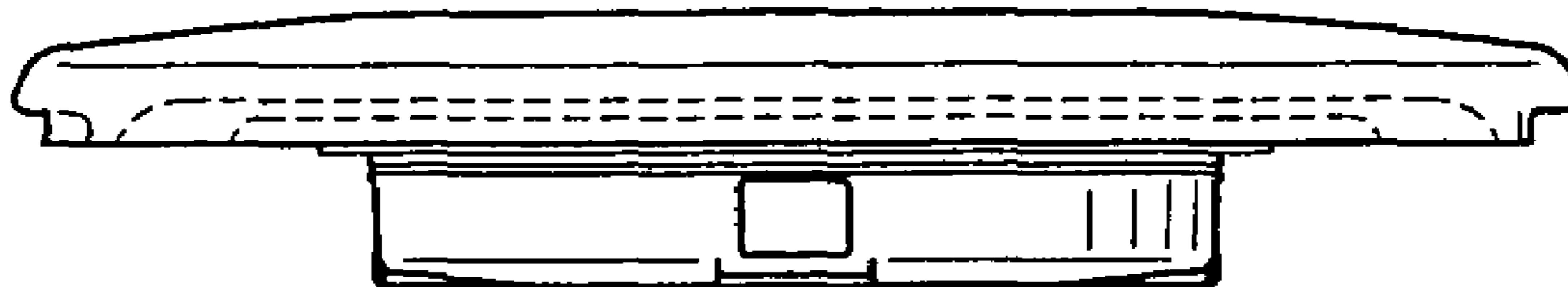


FIG.1

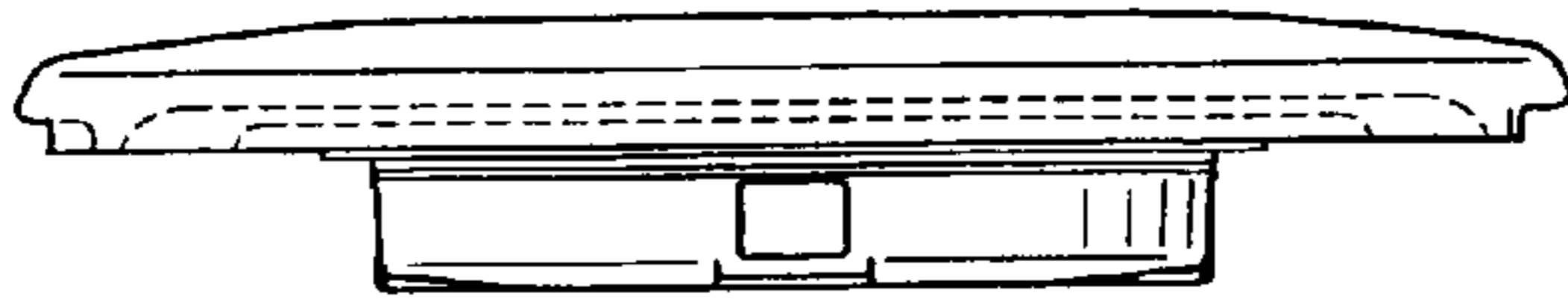


FIG.2

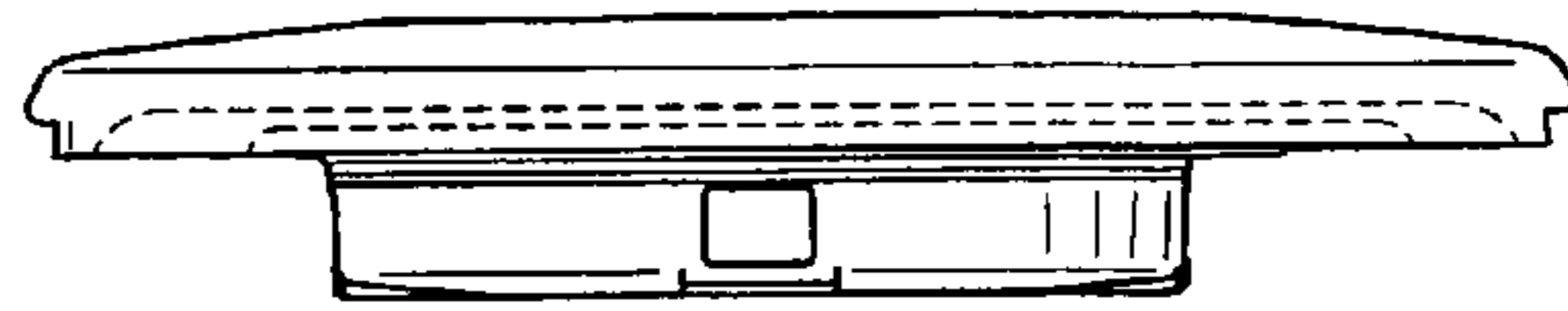


FIG.3

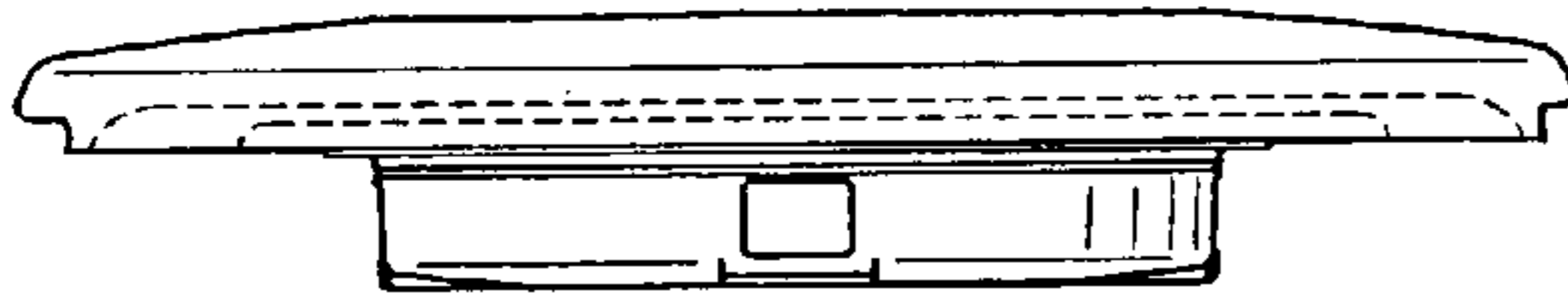


FIG.4

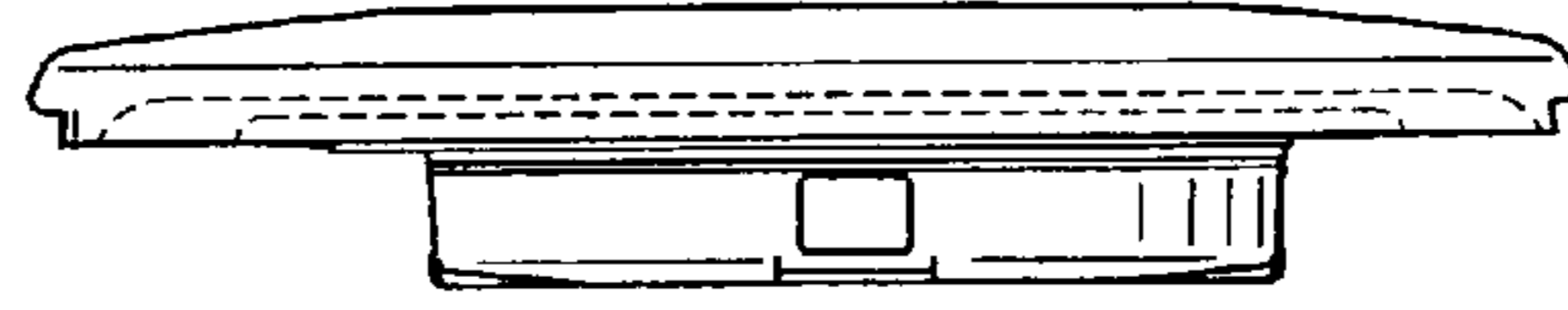


FIG.5

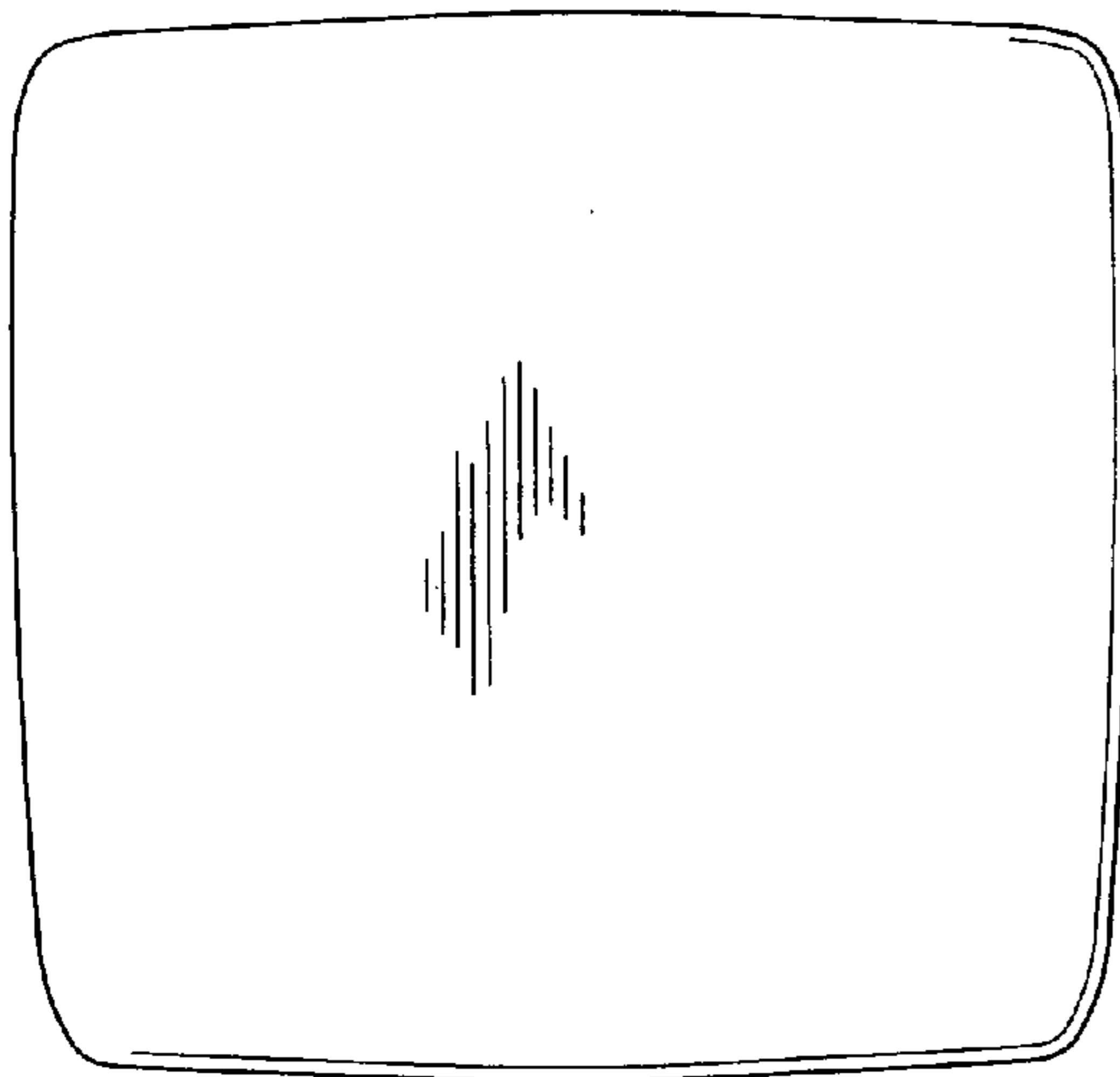


FIG.6

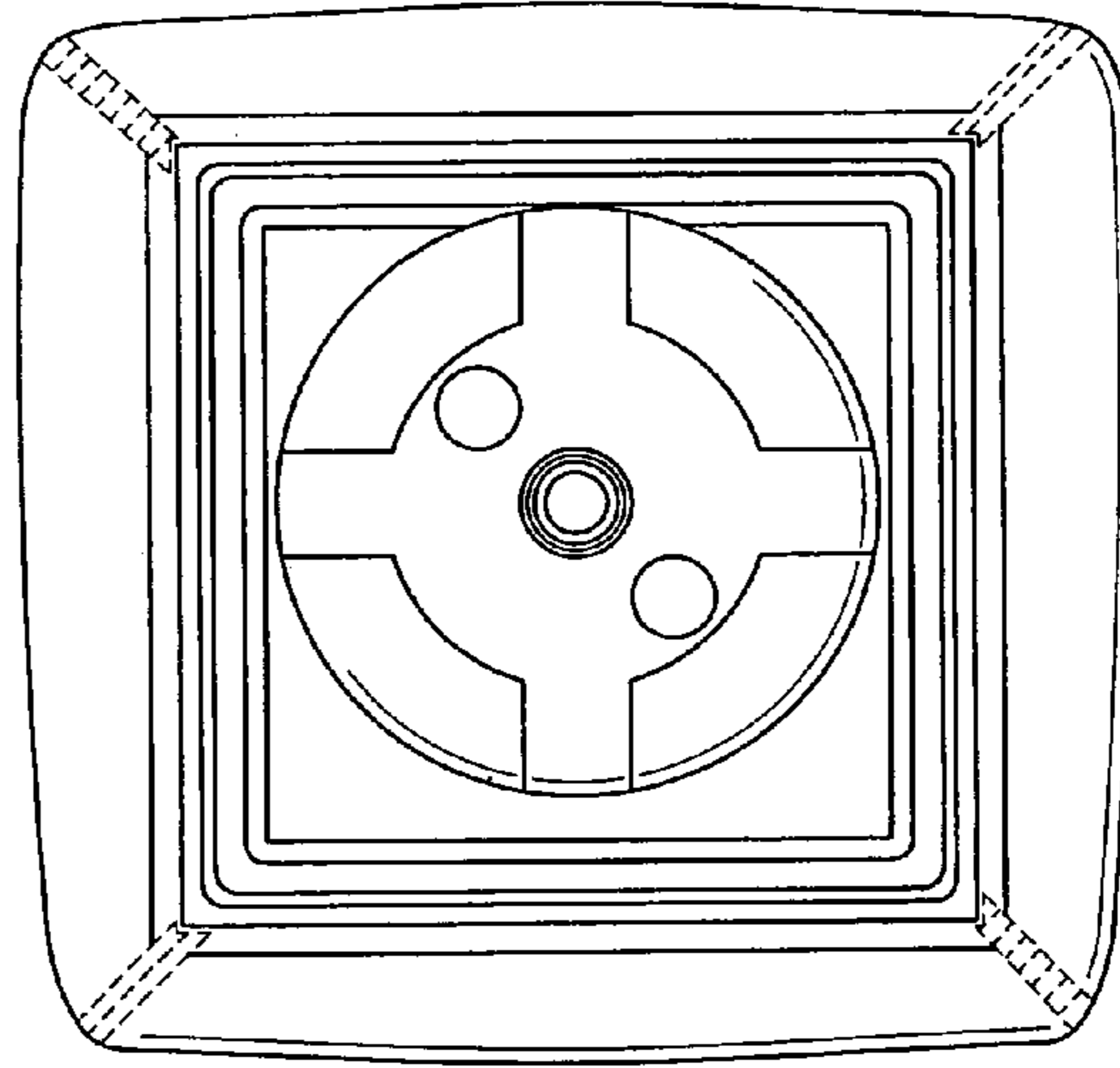


FIG.7

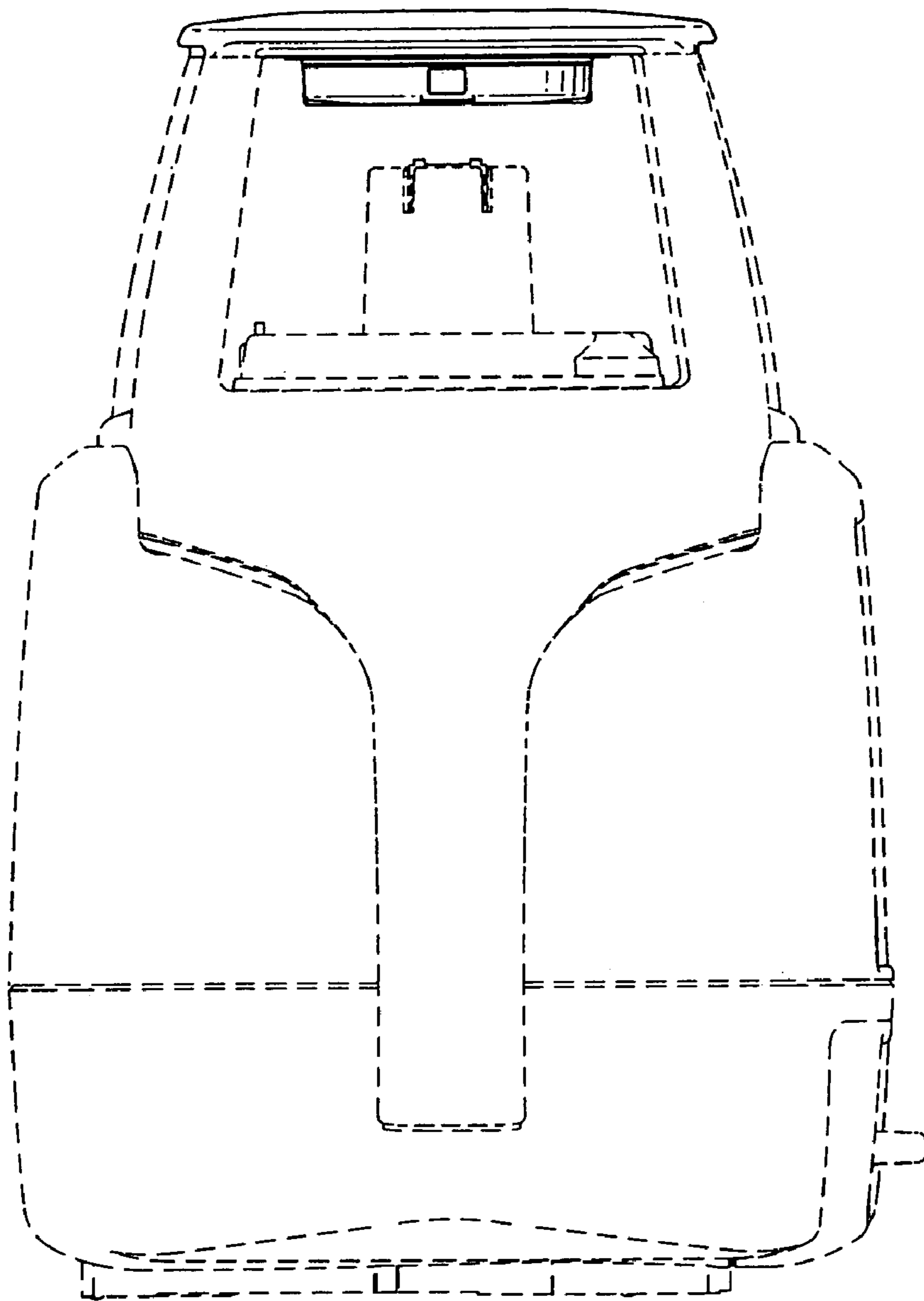


FIG.8

