



US00D563239S

(12) **United States Design Patent**
de France

(10) **Patent No.:** **US D563,239 S**

(45) **Date of Patent:** **** Mar. 4, 2008**

(54) **BOTTLE**

(75) Inventor: **Sylvie de France**, Paris (FR)

(73) Assignee: **Salvatore Ferragamo Italia S.p.A.**,
Florence (IT)

(**) Term: **14 Years**

(21) Appl. No.: **29/273,125**

(22) Filed: **Feb. 26, 2007**

(30) **Foreign Application Priority Data**

Sep. 22, 2006 (EM) 000593918

(51) **LOC (8) Cl.** **09-01**

(52) **U.S. Cl.** **D9/687; D9/694**

(58) **Field of Classification Search** D9/682-694,
D9/516-575; 215/379, 382, 383, 384; 220/660,
220/662, 665, 669, 377

See application file for complete search history.

(56) **References Cited**

U.S. PATENT DOCUMENTS

D102,401 S	*	12/1936	Shulman	D9/522
D222,823 S	*	1/1972	Newman	D9/687
D343,578 S	*	1/1994	Dinand	D9/520
D365,992 S	*	1/1996	Trussardi	D9/544
D389,742 S	*	1/1998	Toleman	D9/523

D453,106 S	*	1/2002	Peltrault	D9/687
D484,789 S	*	1/2004	Sgariboldi	D9/694
D498,665 S	*	11/2004	Mansau	D9/694
D511,688 S	*	11/2005	Baron	D9/560
D520,877 S	*	5/2006	Toth et al.	D9/522
D526,212 S	*	8/2006	Faillant-Dumas	D9/694
D531,049 S	*	10/2006	De France	D9/686

* cited by examiner

Primary Examiner—Catherine Tuttle

(74) *Attorney, Agent, or Firm*—Pollack, P.C.

(57) **CLAIM**

The ornamental design of a bottle, substantially as shown and described.

DESCRIPTION

FIG. 1 is a perspective view of a bottle showing my new design;

FIG. 2 is a front view of the bottle shown in FIG. 1;

FIG. 3 is a rear view of the bottle set forth in FIG. 1;

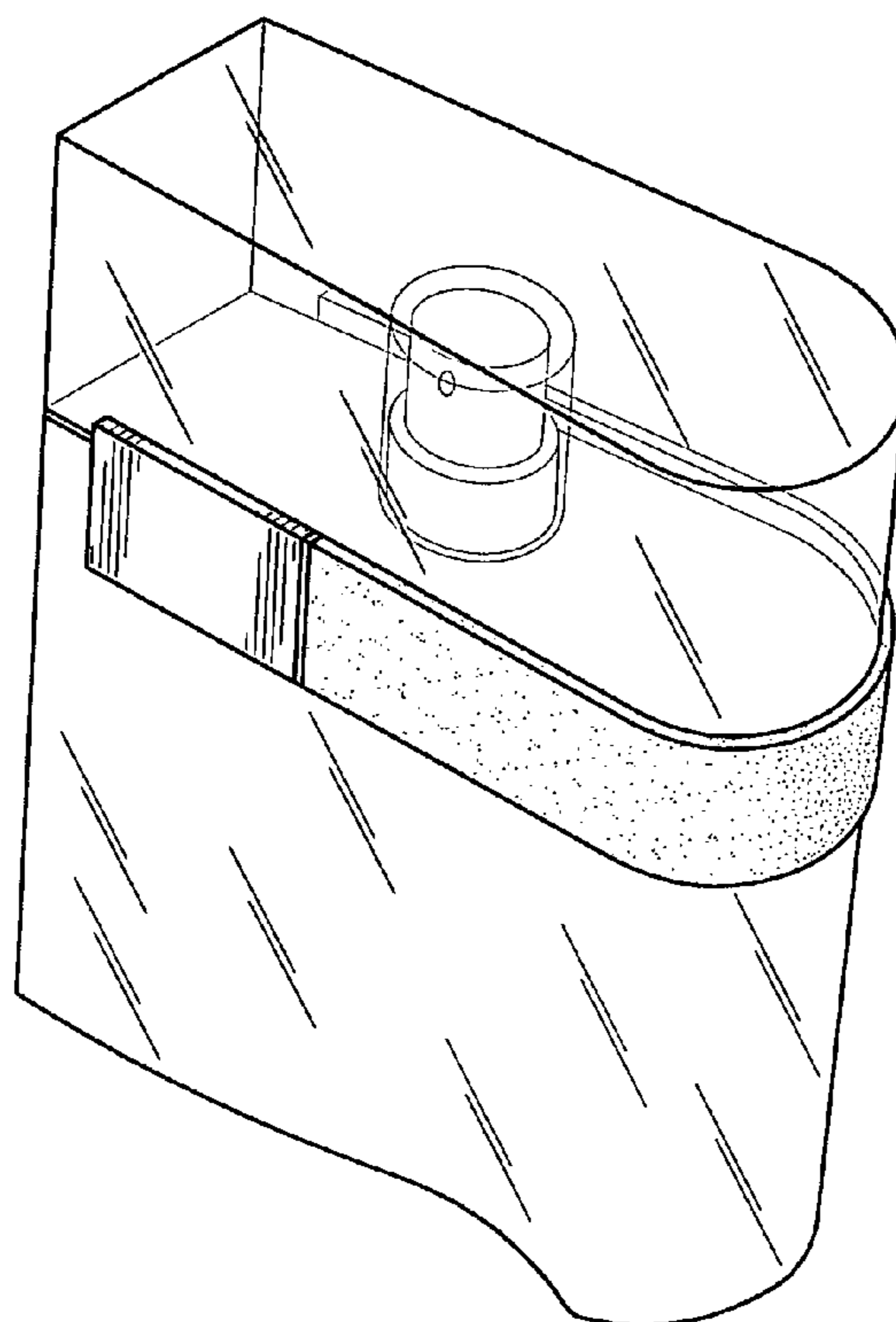
FIG. 4 is a plan view of the bottle illustrated in FIG. 1;

FIG. 5 is a reverse plan view of the bottle shown in FIG. 4;

FIG. 6 is a side view of the bottle illustrated in FIG. 1; and,

FIG. 7 is an opposing side view of the bottle shown in FIG. 6.

1 Claim, 3 Drawing Sheets



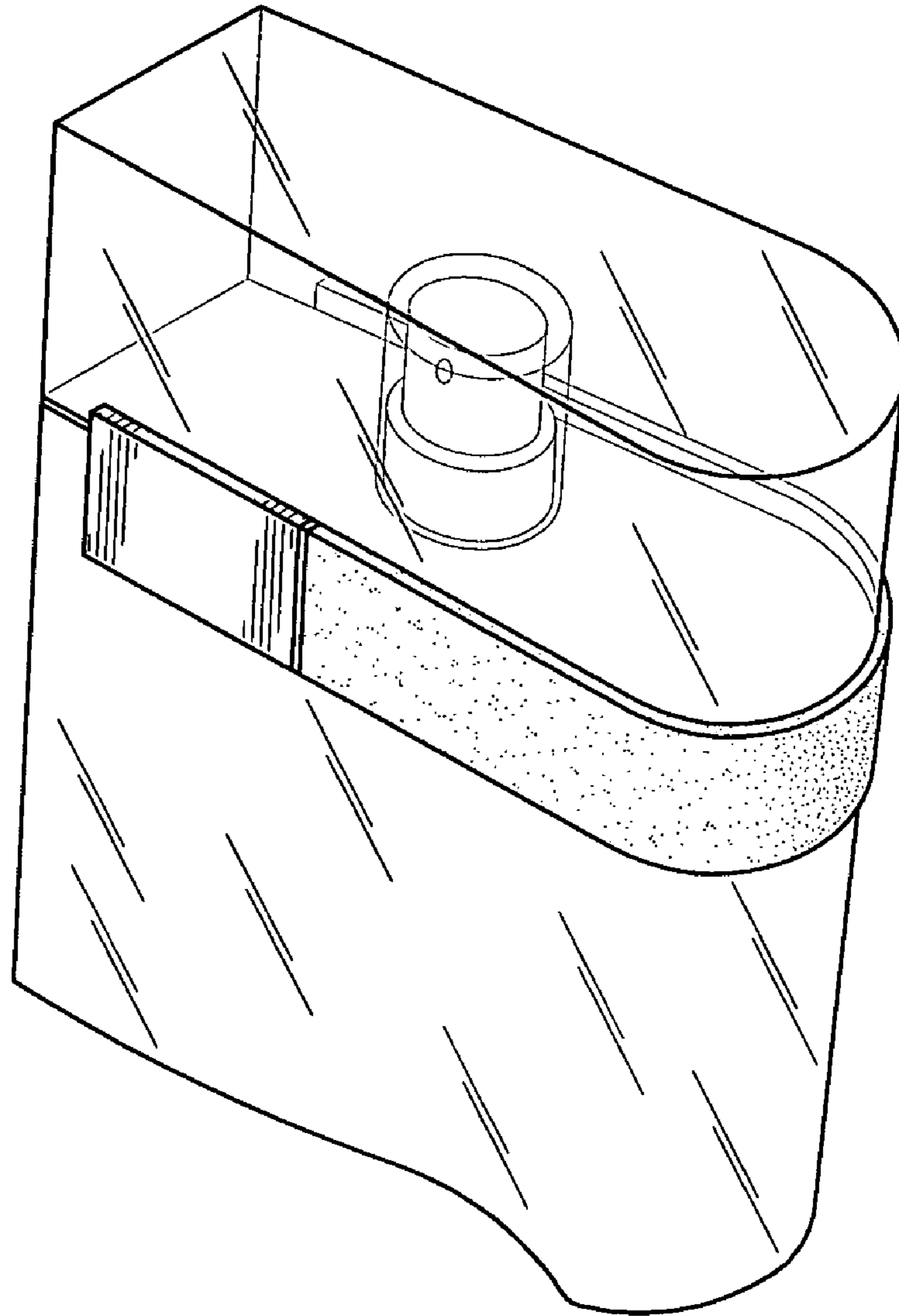


FIG. 1

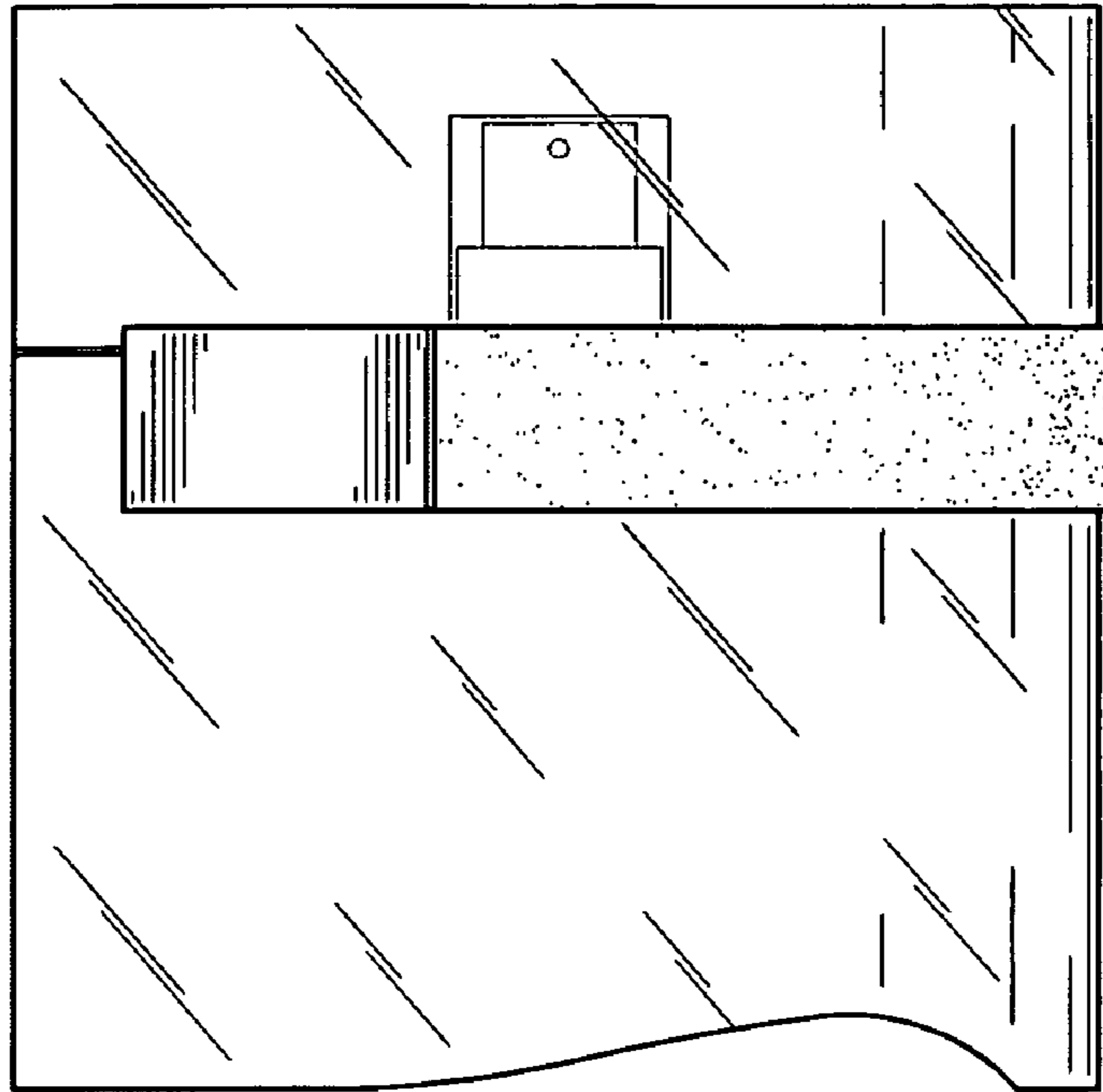


FIG. 2

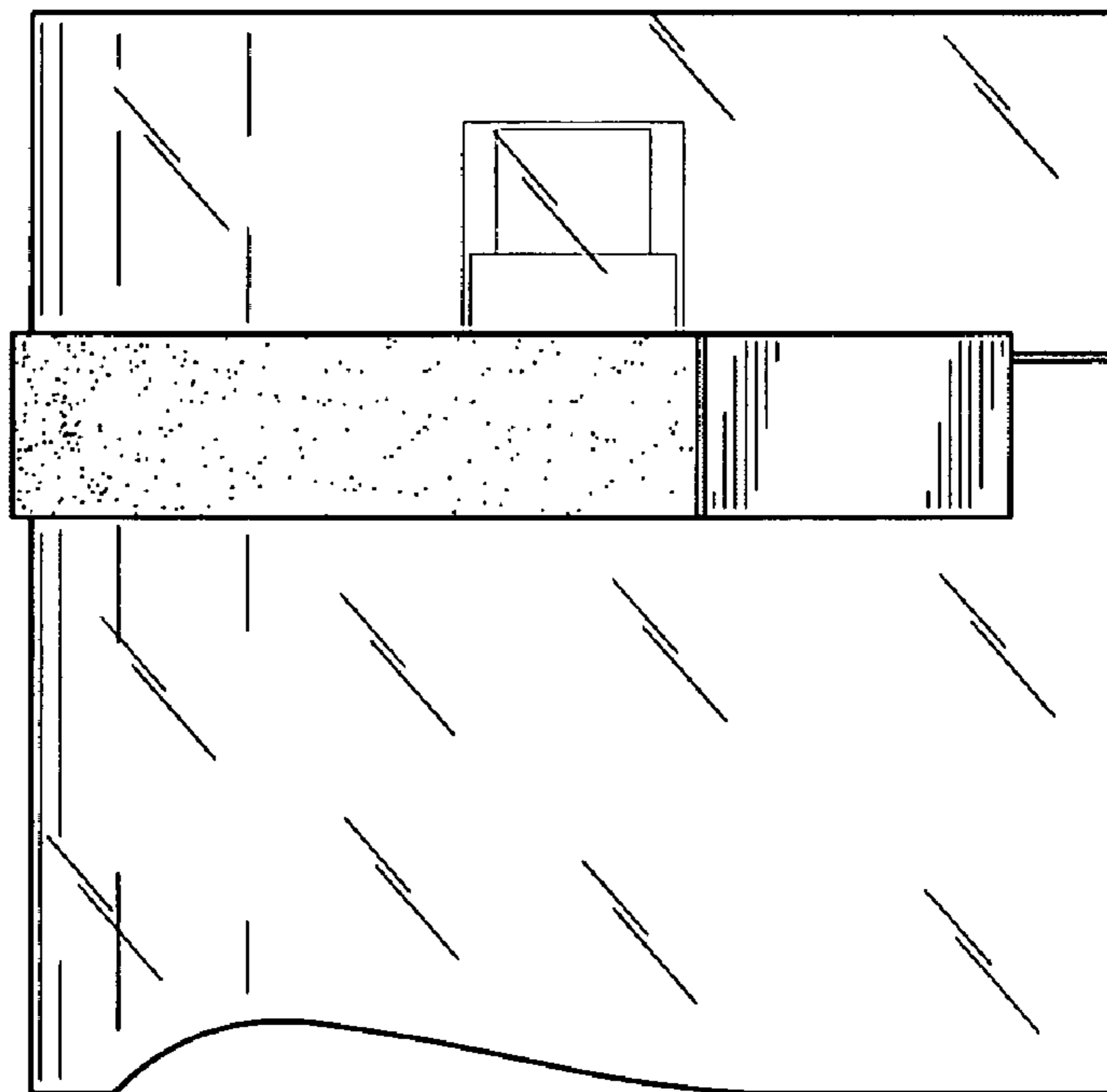


FIG. 3

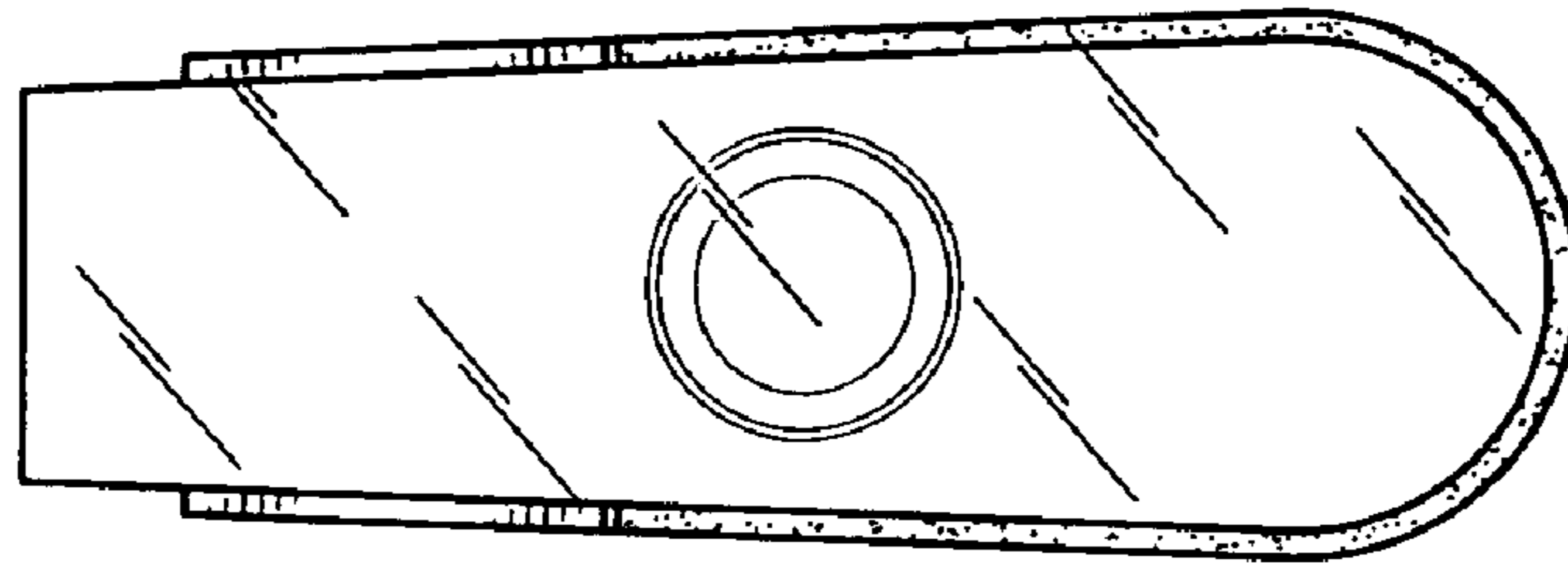


FIG. 4

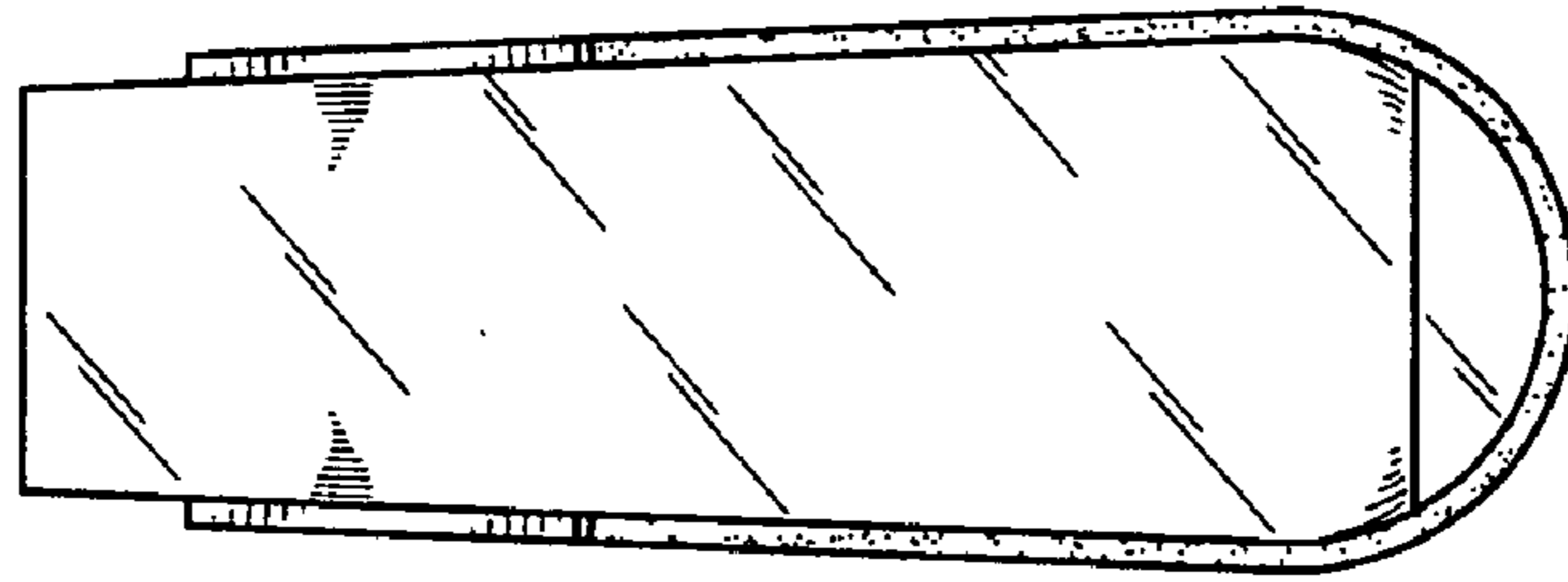


FIG. 5

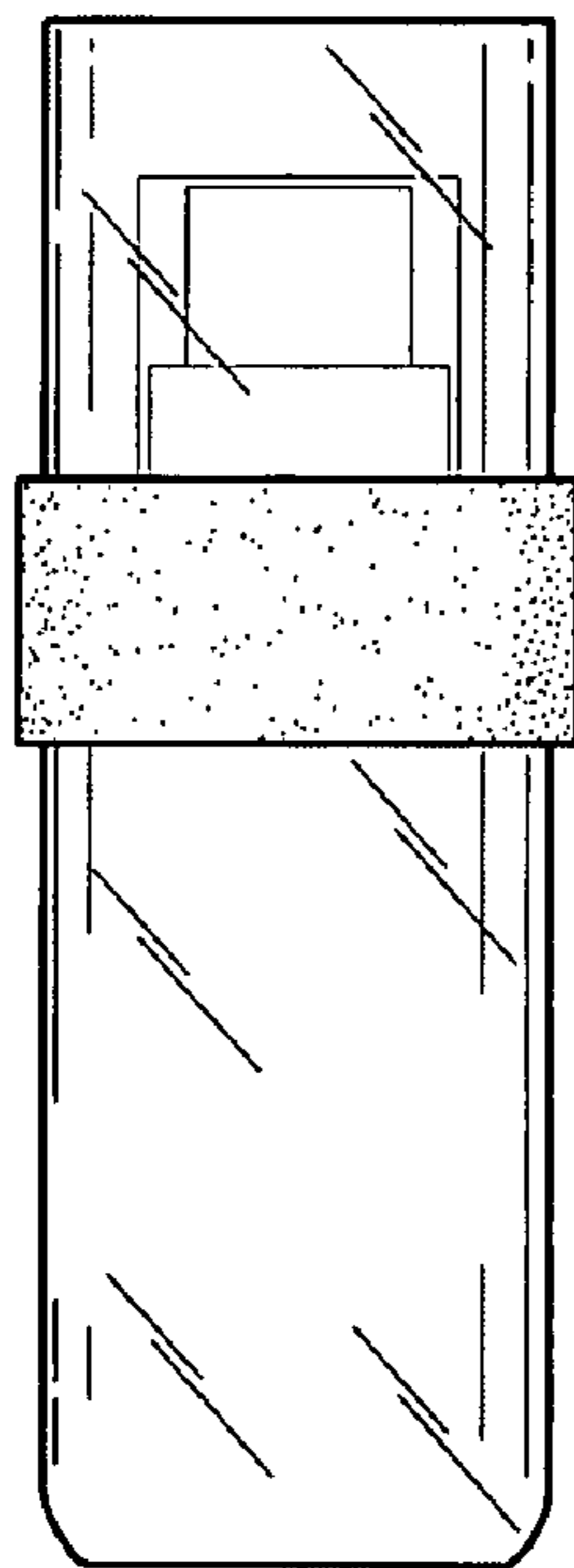


FIG. 6

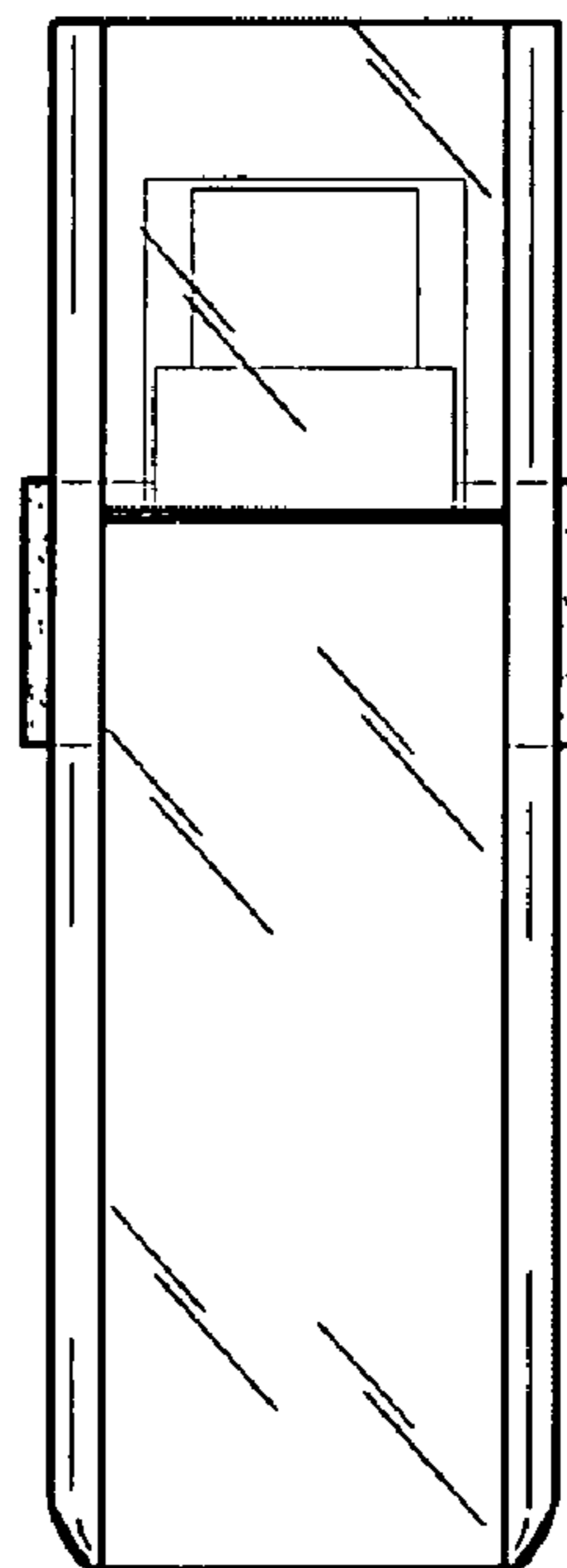


FIG. 7