

US00D563238S

(12) **United States Design Patent**
Nevins et al.

(10) **Patent No.: US D563,238 S**
(45) **Date of Patent: ** Mar. 4, 2008**

(54) **COMPOSITE FRAGRANCE BOTTLE**

D328,025 S 7/1992 Farricielli

(75) Inventors: **James Nevins**, New York, NY (US);
Allan E. Hafkin, Plainview, NY (US);
Teresa W. Yeung, Brooklyn, NY (US)

(Continued)

FOREIGN PATENT DOCUMENTS

(73) Assignee: **DAFU Licensing, Inc.**, Los Angeles,
CA (US)

GB 2069106 * 9/1997

(Continued)

(**) Term: **14 Years**

OTHER PUBLICATIONS

(21) Appl. No.: **29/279,821**

http://www.fragrancenet.com/f/net/wf_items.html?cat=01112&cur_letter=H&gs_gen=W&id=ZbEMpjmR; May 7, 2007.

(Continued)

(22) Filed: **May 8, 2007**

Primary Examiner—Catherine Tuttle

(51) **LOC (8) Cl.** **09-01**

(74) *Attorney, Agent, or Firm*—Cynthia R. Miller

(52) **U.S. Cl.** **D9/684; D9/745**

(58) **Field of Classification Search** D9/682–694,
D9/719, 737, 746, 516–575; 215/6, 10, 379,
215/382; 220/4.21, 4.26, 4.27, 23.83, 23.86,
220/662, 669; 222/129, 135, 143

(57) **CLAIM**

See application file for complete search history.

The ornamental design for a composite fragrance bottle, as shown and described.

DESCRIPTION

(56) **References Cited**

FIG. 1 is a top, front, right side perspective view of my new design for a composite fragrance bottle;

U.S. PATENT DOCUMENTS

FIG. 2 is a front elevation view of the fragrance bottle shown in FIG. 1;

- 88,105 A * 3/1869 Whitney 215/10
- D25,941 S 8/1896 Lindgren
- 664,472 A * 12/1900 Fenn 215/6
- D38,167 S 8/1906 Wintermann
- D43,239 S 11/1912 Tuttle
- D183,939 S 11/1958 Loewy
- D184,358 S 2/1959 Lagin
- D197,192 S 12/1963 Lorenzen
- 3,143,250 A * 8/1964 Pengue 222/182
- 3,198,400 A * 8/1965 Roehrich 222/182
- D220,248 S 3/1971 Blumenthal
- D223,437 S 4/1972 Lluch
- D244,256 S 5/1977 Dekker
- D268,897 S 5/1983 du Cret
- D270,238 S * 8/1983 Vilval D9/504
- D291,179 S 8/1987 Frizon

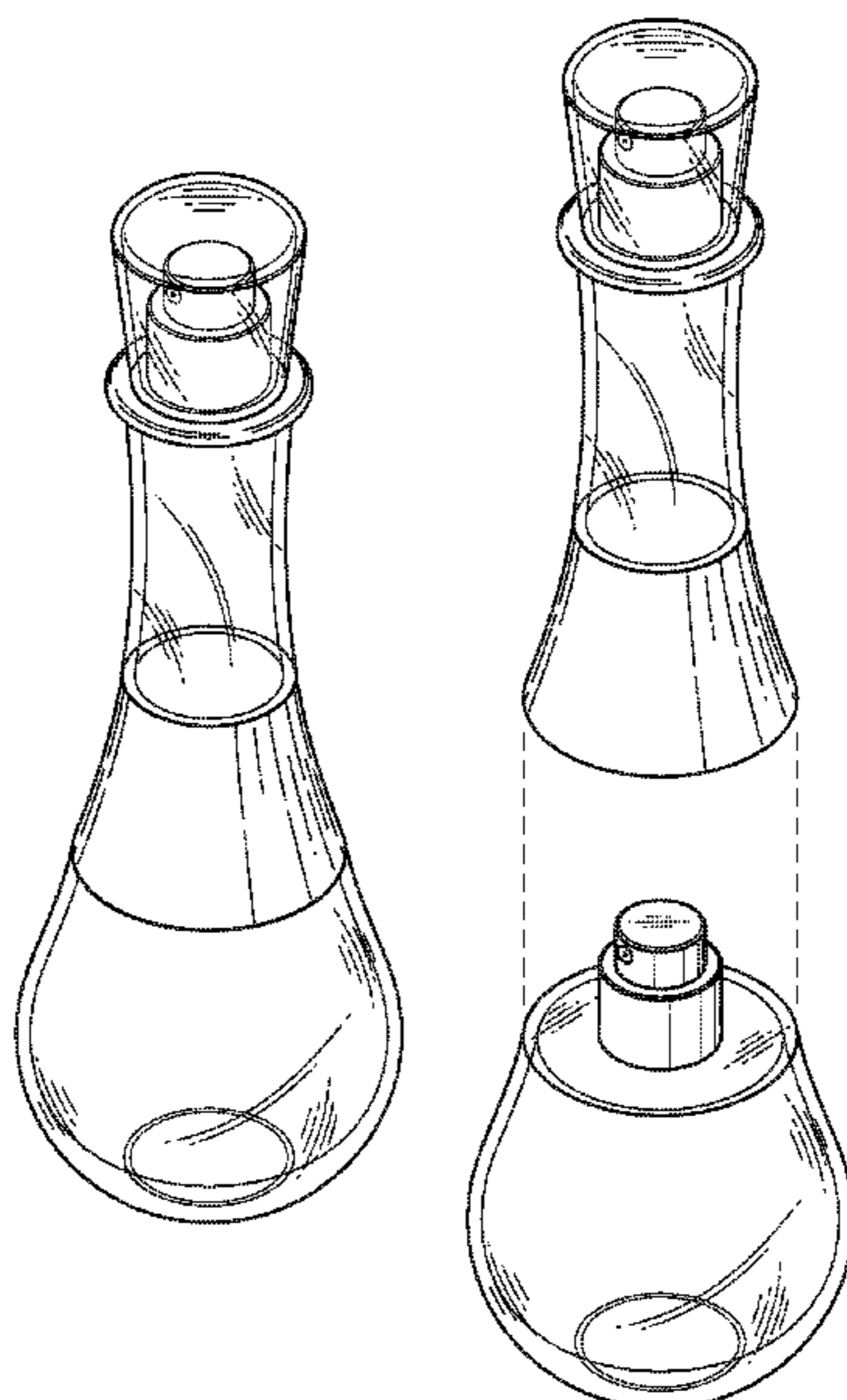
FIG. 3 is a right side elevation view of the fragrance bottle shown in FIG. 1, the left side being a mirror image thereof;

FIG. 4 is a rear elevation view of the fragrance bottle shown in FIG. 1;

FIG. 5 is a top plan view of the fragrance bottle shown in FIG. 1;

FIG. 6 is a bottom plan view of the fragrance bottle; and, FIG. 7 is an exploded view of the fragrance bottle shown in FIG. 1, showing the separation of the composite fragrance bottle into two cooperating fragrance bottles.

1 Claim, 4 Drawing Sheets



US D563,238 S

Page 2

U.S. PATENT DOCUMENTS

D339,292 S 9/1993 Fareri et al.
D345,914 S 4/1994 Fareri et al.
D345,915 S 4/1994 Fareri et al.
D354,441 S 1/1995 Fontanella
D381,916 S 8/1997 Hundertmark et al.
D390,470 S * 2/1998 Mahlmann et al. D9/520
D414,684 S * 10/1999 Usui et al. D9/691
D423,360 S 4/2000 Hirato et al.
D425,785 S 5/2000 Hirato et al.
D434,314 S 11/2000 Vignon
D446,121 S 8/2001 Maddy
D449,517 S 10/2001 Vignon
D449,777 S 10/2001 Vignon
D460,693 S 7/2002 Flowers
D463,263 S * 9/2002 Gobe D9/691
D463,735 S * 10/2002 Gobe D9/689
D472,147 S * 3/2003 Herrmann D9/504
D477,535 S 7/2003 Thorpe

D487,697 S 3/2004 Rosen
D496,207 S 9/2004 Wang
D497,795 S 11/2004 Fling et al.
D507,188 S 7/2005 Chen
D519,376 S * 4/2006 Ames D9/504
D529,805 S * 10/2006 Cadena D9/500
2006/0289537 A1* 12/2006 Ficcadenti 220/4.27

FOREIGN PATENT DOCUMENTS

GB 2096755 * 10/2000

OTHER PUBLICATIONS

<http://www.gnpd.com>; Glow Women's Fragrance; Record ID: 334012; Lancaster; J.Lo; Fragrances; Women's Fragrances, Australia; Jan. 1, 2005.

<http://www.gnpd.com>; Eau de Parfum; Record ID: 373147; Jajado; Jajado; Fragrances; Women's Fragrances; Vietnam; Jun. 30, 2005.

* cited by examiner

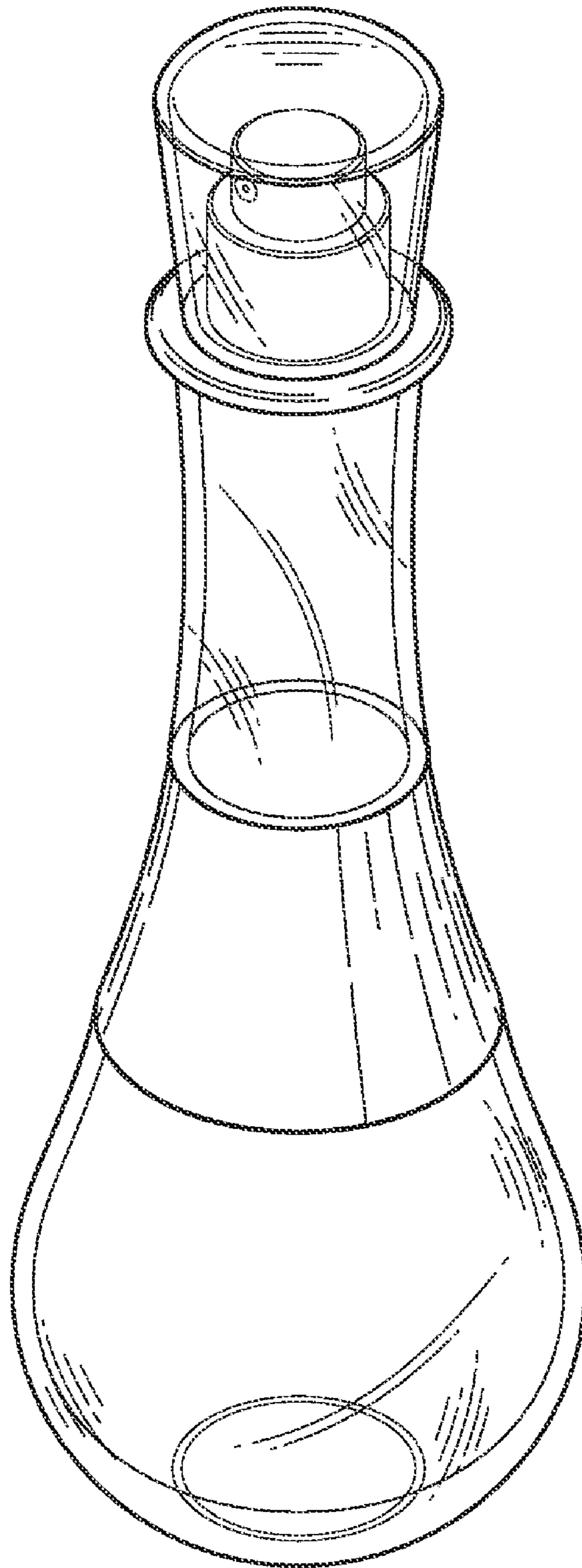


FIG. 1

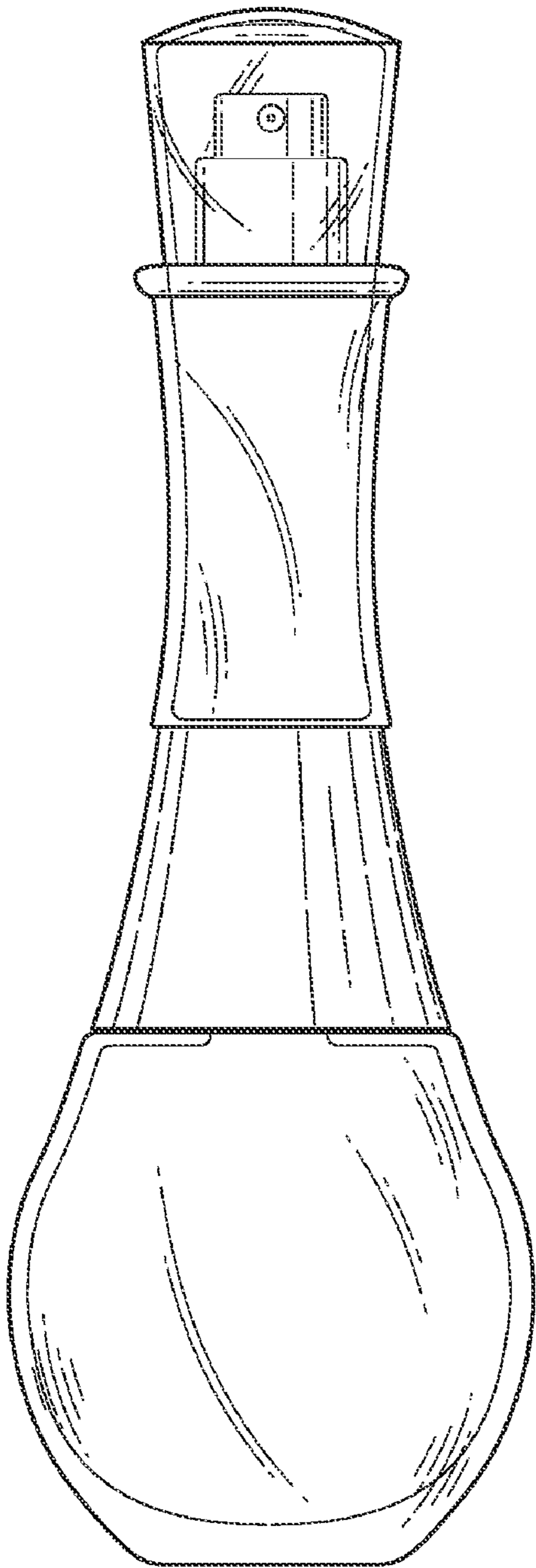


FIG. 2

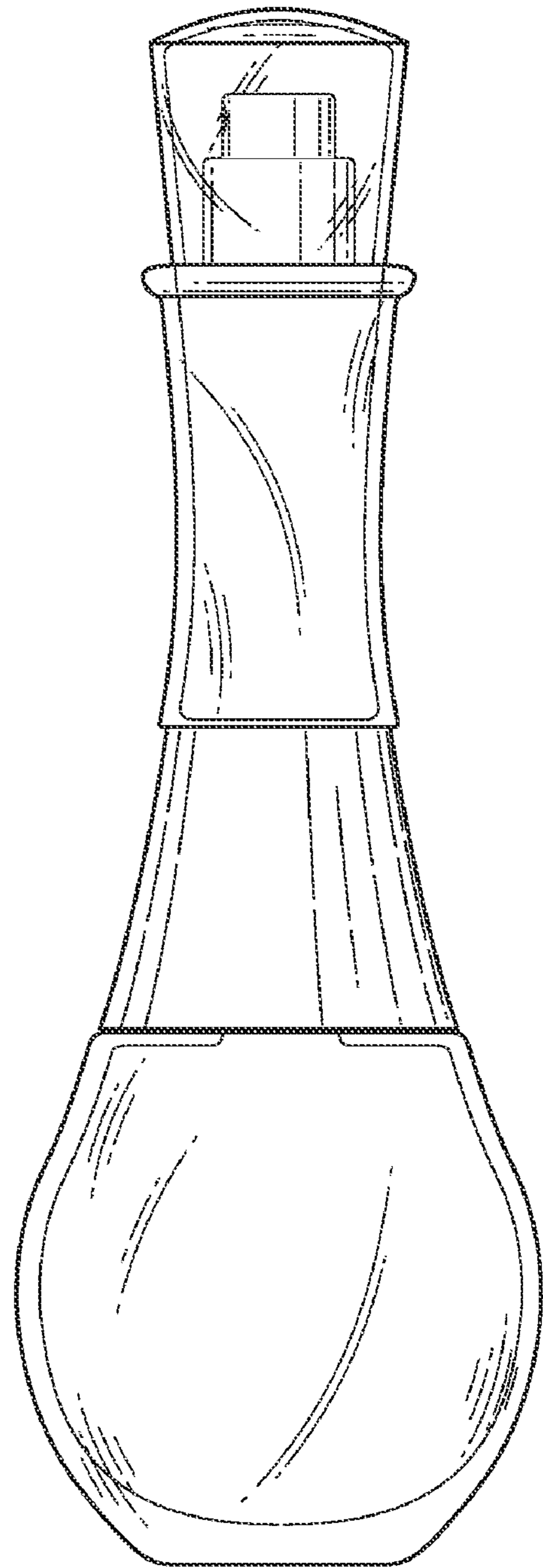


FIG. 3

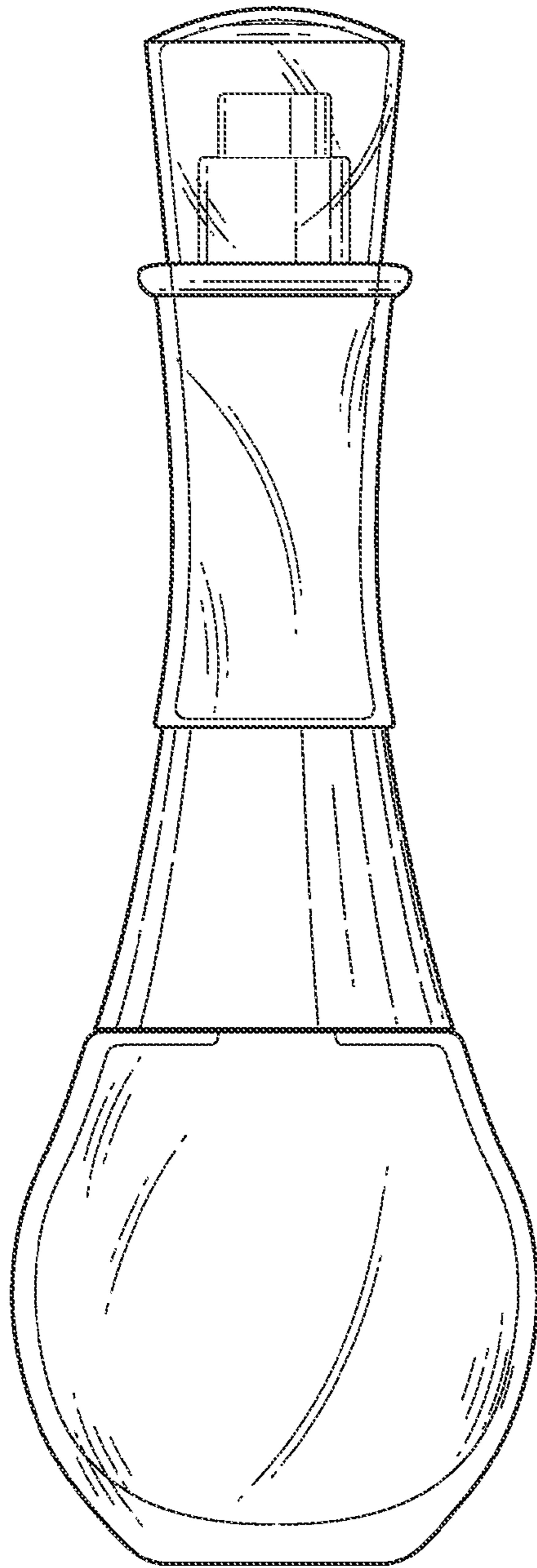


FIG. 4

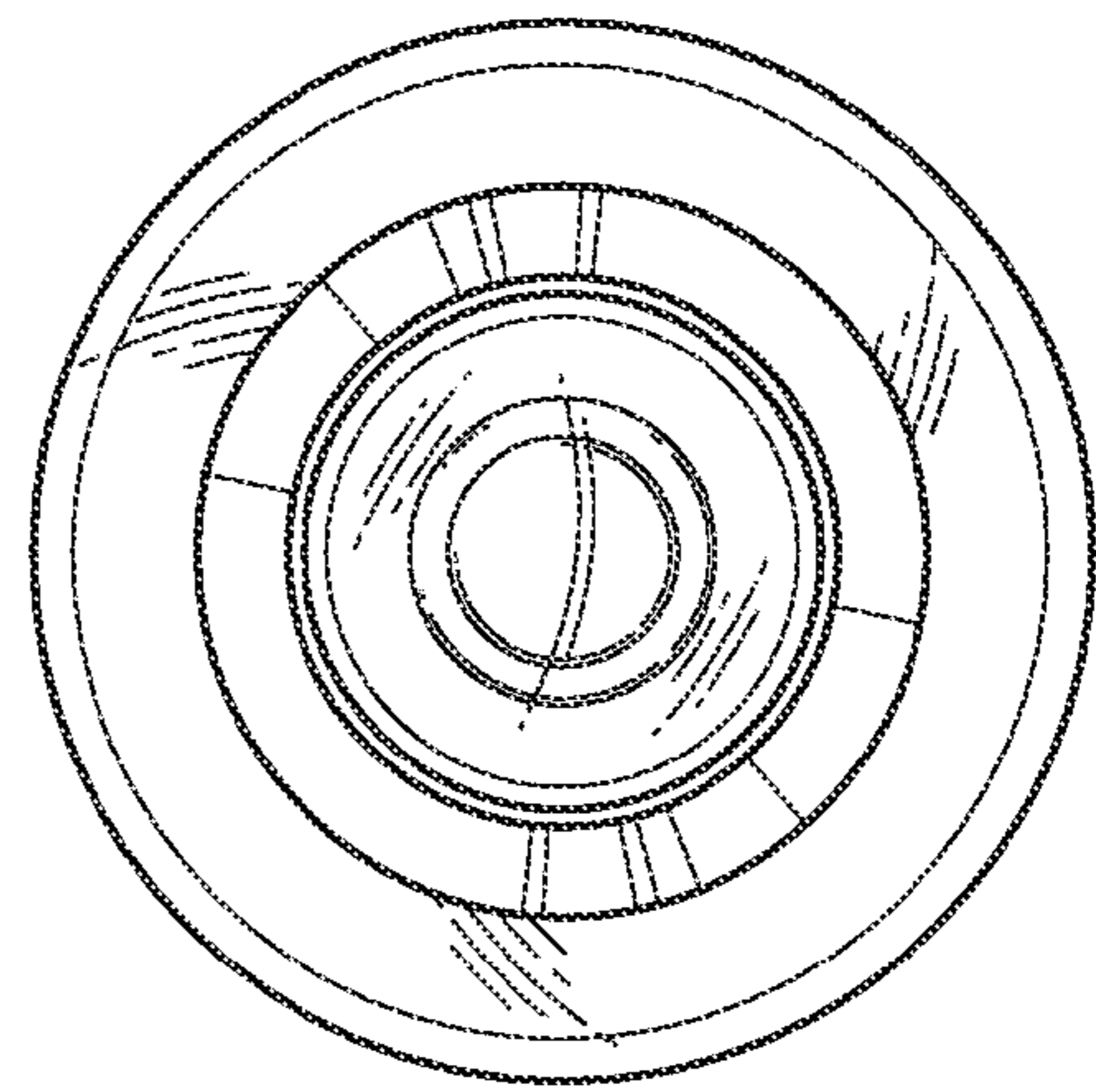


FIG. 5

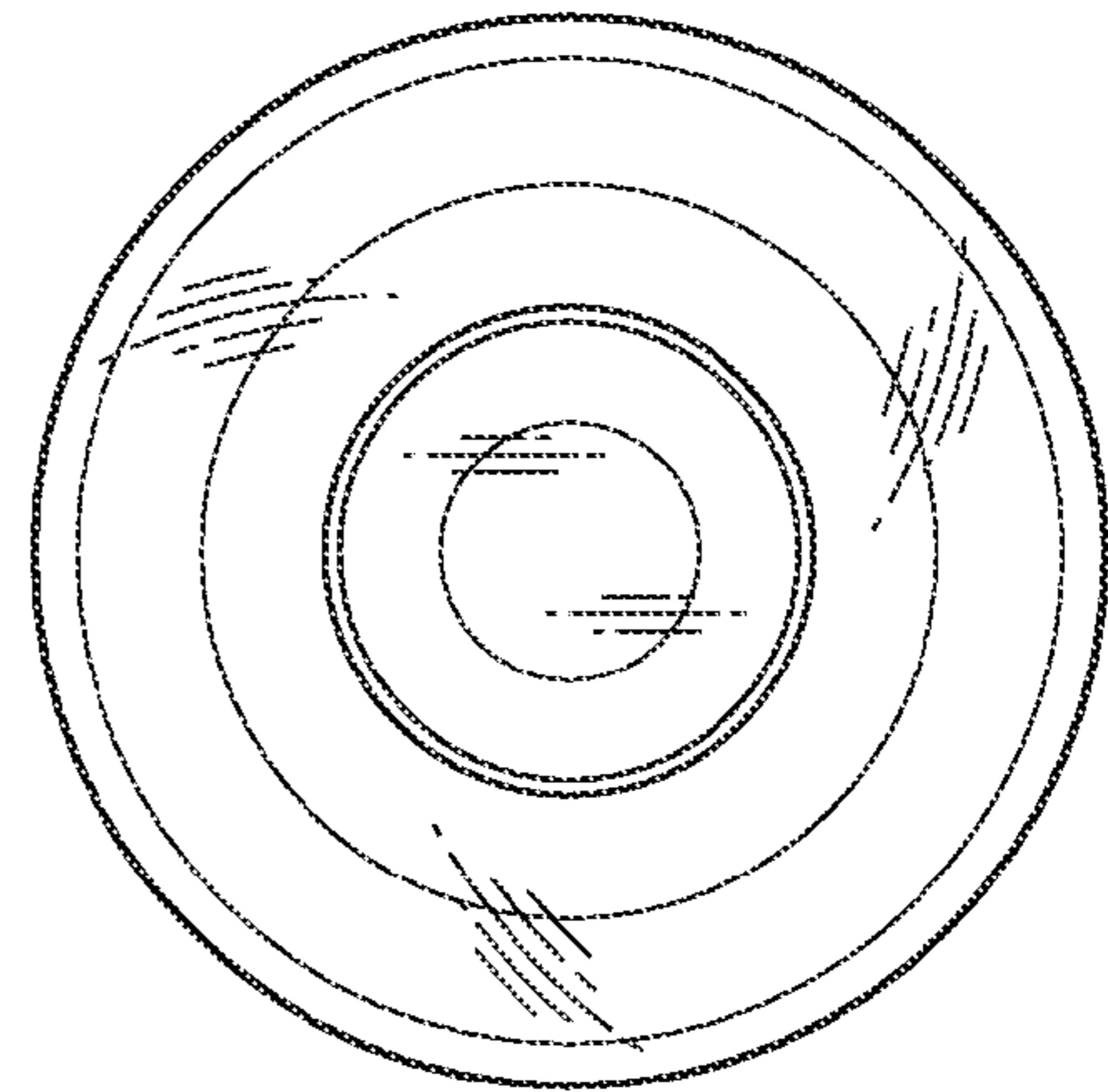


FIG. 6

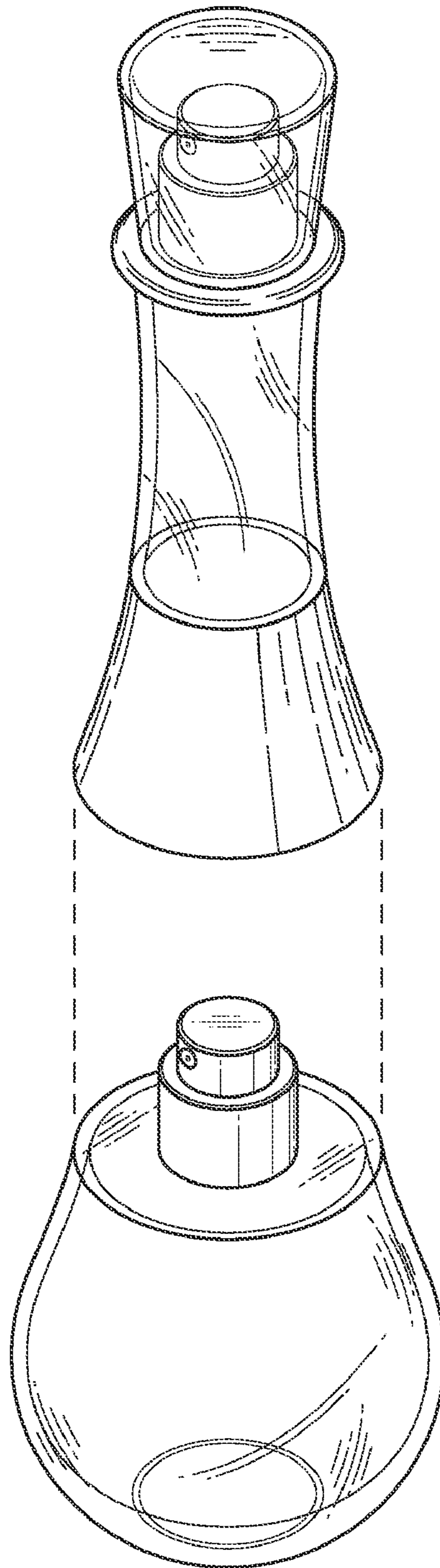


FIG. 7