



US00D563234S

(12) **United States Design Patent**
Moreno

(10) **Patent No.:** **US D563,234 S**

(45) **Date of Patent:** **** Mar. 4, 2008**

(54) **RECTANGULAR BEVERAGE CONTAINER**

(76) Inventor: **Tony E Moreno**, 874 W. Orange Heights La., Craig, CA (US) 92882

(**) Term: **14 Years**

(21) Appl. No.: **29/242,577**

(22) Filed: **Nov. 14, 2005**

(51) **LOC (8) Cl.** **09-01**

(52) **U.S. Cl.** **D9/572**

(58) **Field of Classification Search** D9/414,
D9/417, 424, 430, 432, 444, 516, 523, 526-528,
D9/560, 572-574; D3/202; 215/382-384,
215/355; 220/662

See application file for complete search history.

(56) **References Cited**

U.S. PATENT DOCUMENTS

750,077 A	1/1904	Bandlow	
2,402,548 A *	6/1946	Reynolds	264/324
D155,348 S *	9/1949	Kuhnl	D28/91.1
D164,784 S *	10/1951	Lipton	D7/417
D213,949 S *	4/1969	Lenhart	D9/520
D218,281 S *	8/1970	Diener	D9/523
4,158,376 A *	6/1979	Erb	383/120
D262,776 S *	1/1982	Sadow	D15/152
D264,127 S	4/1982	Peterson	
D272,993 S *	3/1984	Chan	D10/106
D273,768 S	5/1984	Sedam	
D286,633 S *	11/1986	Pauser	D14/299
D294,557 S *	3/1988	Jones	D9/524
4,812,054 A	3/1989	Kirkendall	
4,938,374 A	7/1990	Wuchterl	
5,025,945 A	6/1991	Lyon	
D322,383 S *	12/1991	Jones	D15/90
D340,642 S *	10/1993	Detzel et al.	D9/417
5,353,983 A *	10/1994	Miller	229/103.1
5,712,030 A *	1/1998	Goto et al.	428/332
5,823,422 A *	10/1998	Collier et al.	229/103.1

D484,057 S *	12/2003	Walterscheid	D9/523
6,660,133 B2 *	12/2003	Penich et al.	204/192.1
D496,859 S *	10/2004	Hamuro et al.	D9/432
D502,360 S *	3/2005	Kautz	D7/392
D540,162 S *	4/2007	Chin et al.	D9/417

* cited by examiner

Primary Examiner—Stella M. Reid

Assistant Examiner—Keli' L. Acker

(74) *Attorney, Agent, or Firm*—Buhler & Associates; Kirk A. Buhler

(57) **CLAIM**

The ornamental design for a rectangular beverage container, as shown and described.

DESCRIPTION

FIG. 1 is an isometric view of a preferred embodiment showing the spout on the top edge of the container.

FIG. 2 is a side view of the preferred embodiment from FIG. 1.

FIG. 3 is a plan view of the preferred embodiment from FIG. 1.

FIG. 4 is an isometric view of a preferred embodiment showing the spout on the center top of the container.

FIG. 5 is a side view of the preferred embodiment from FIG. 4.

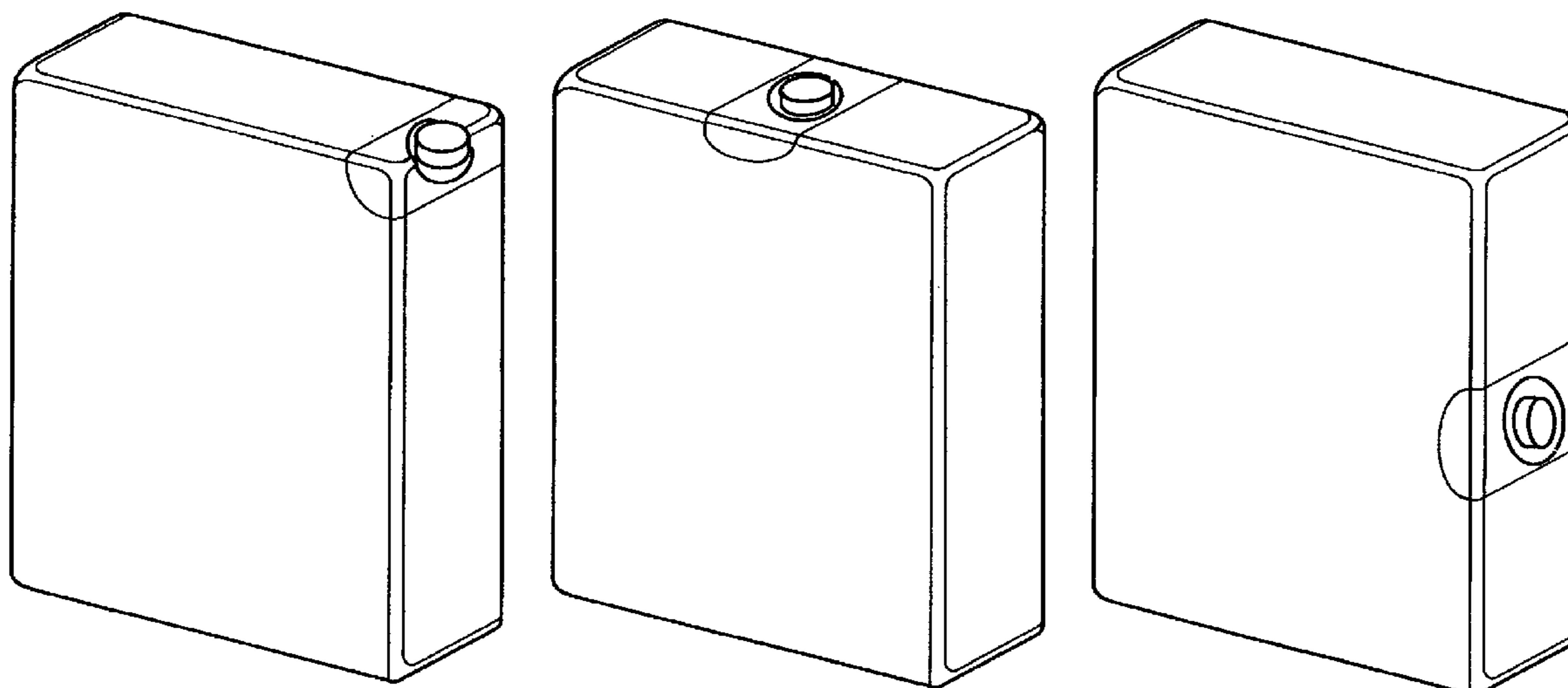
FIG. 6 is a plan view of the preferred embodiment from FIG. 4.

FIG. 7 is an isometric view of a preferred embodiment showing the spout on the center side of the container.

FIG. 8 is a side view of the preferred embodiment from FIG. 7; and,

FIG. 9 is a plan view of the preferred embodiment from FIG. 7.

1 Claim, 3 Drawing Sheets



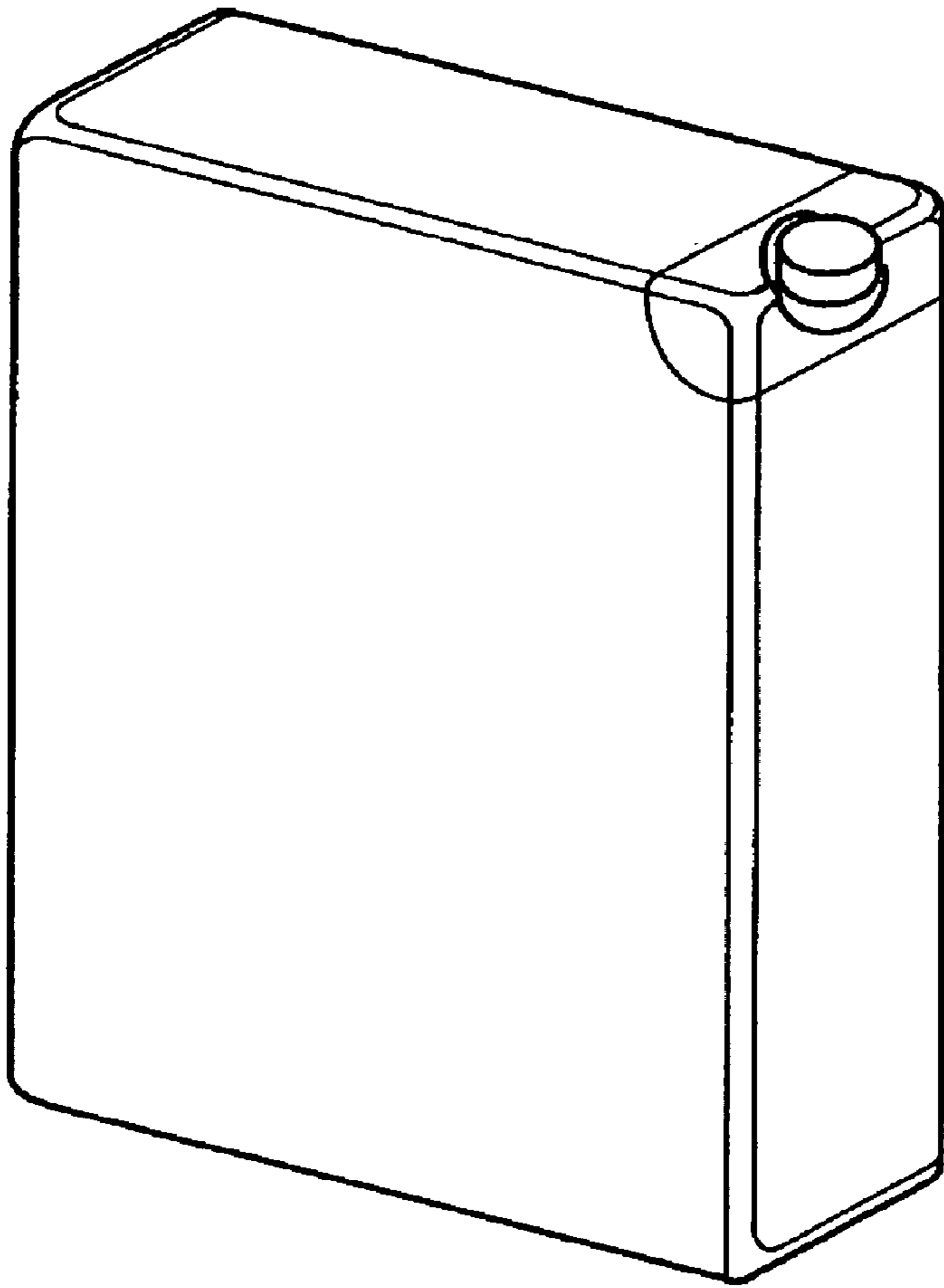


Figure 1

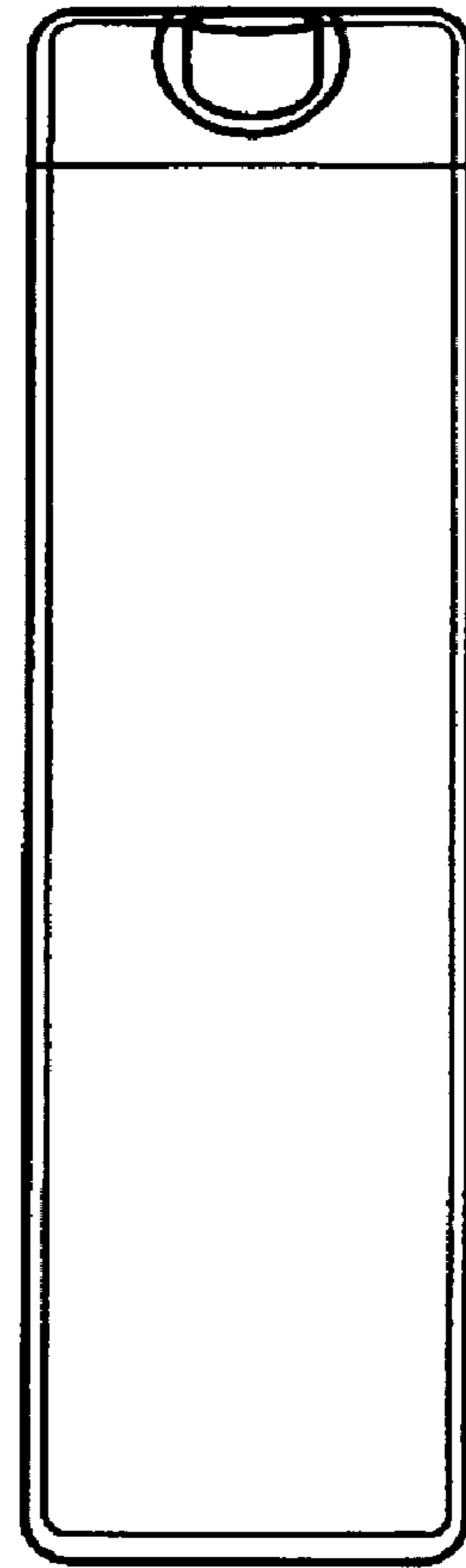


Figure 2

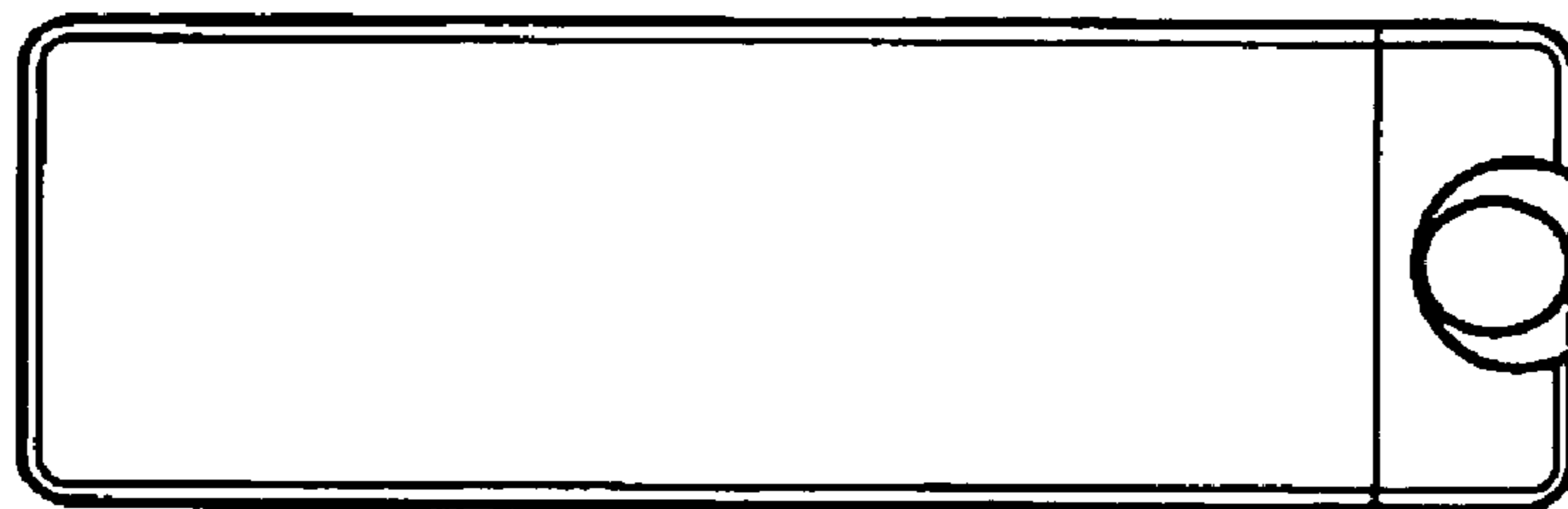


Figure 3

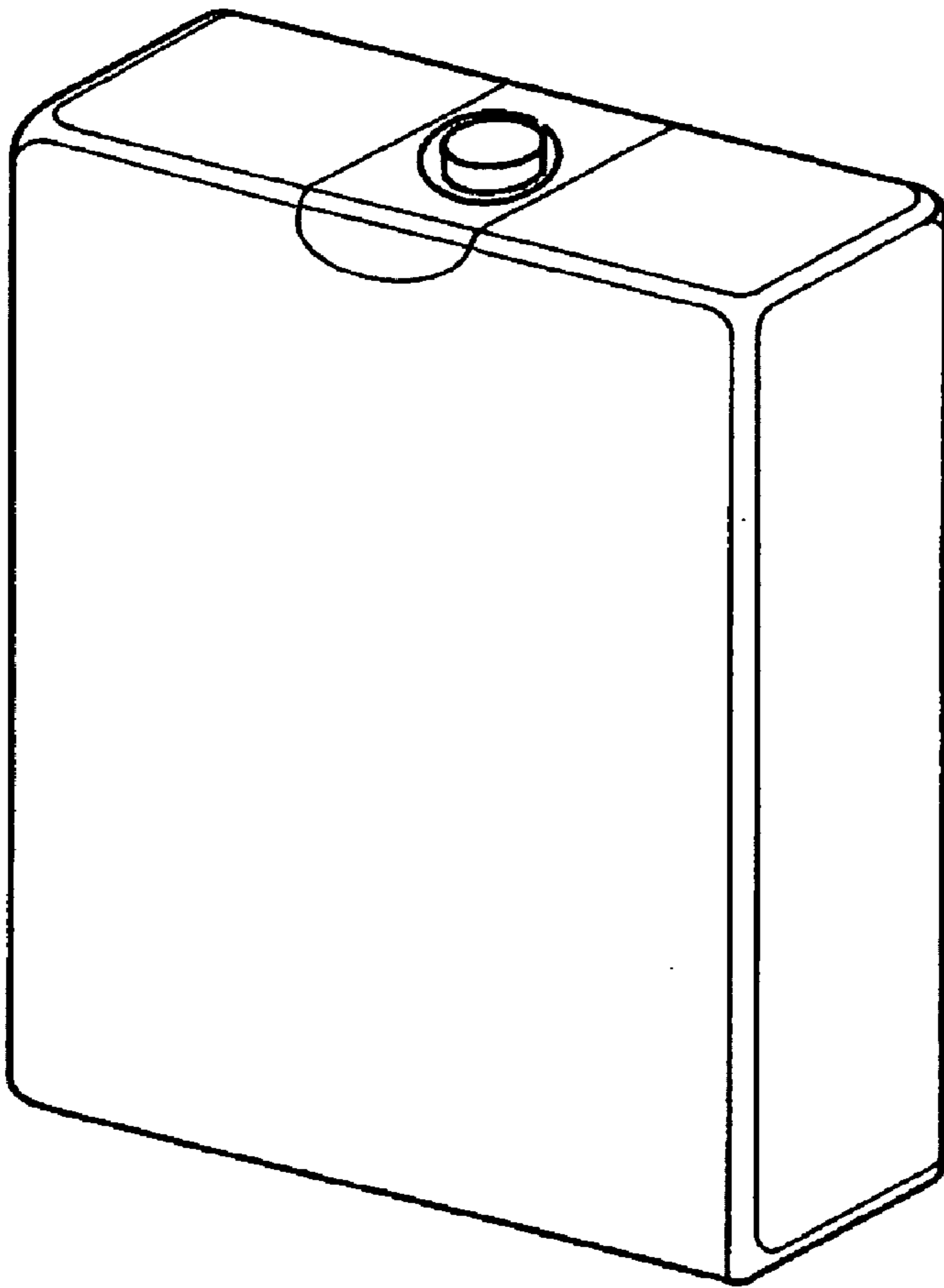


Figure 4

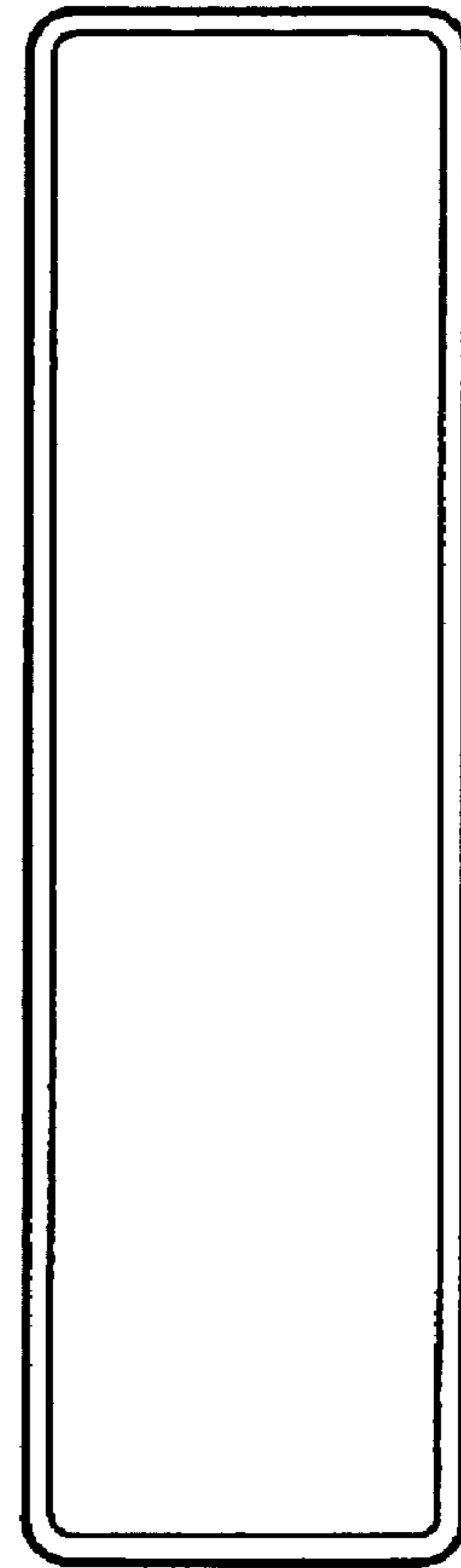


Figure 5

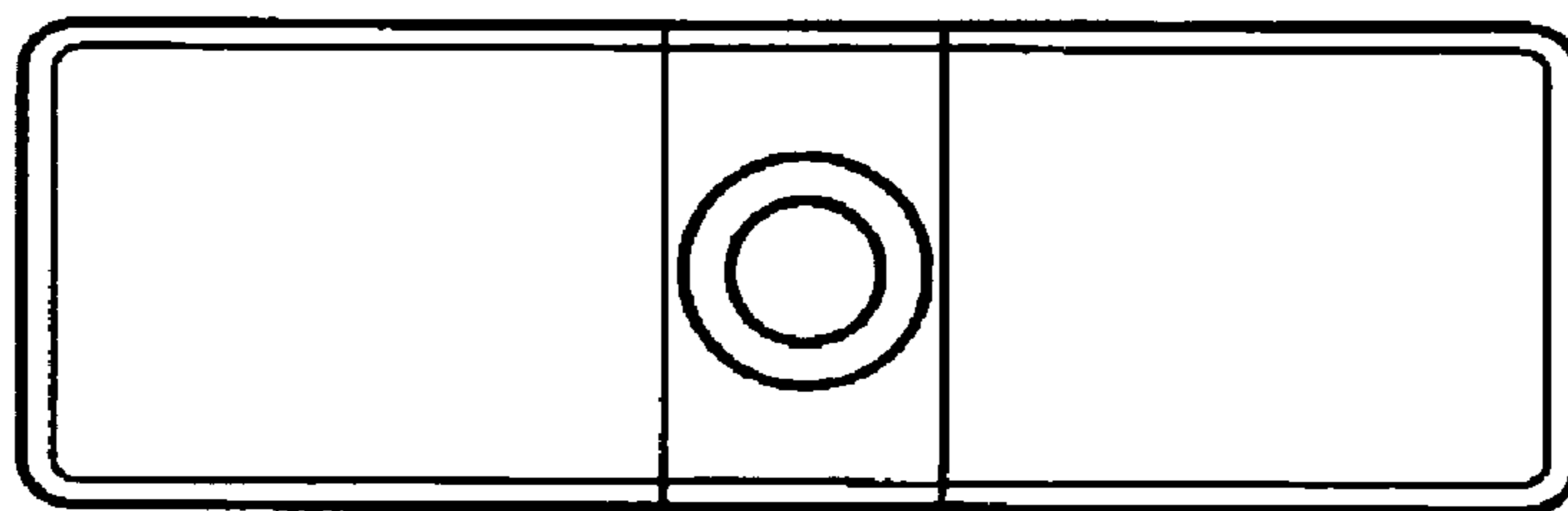


Figure 6

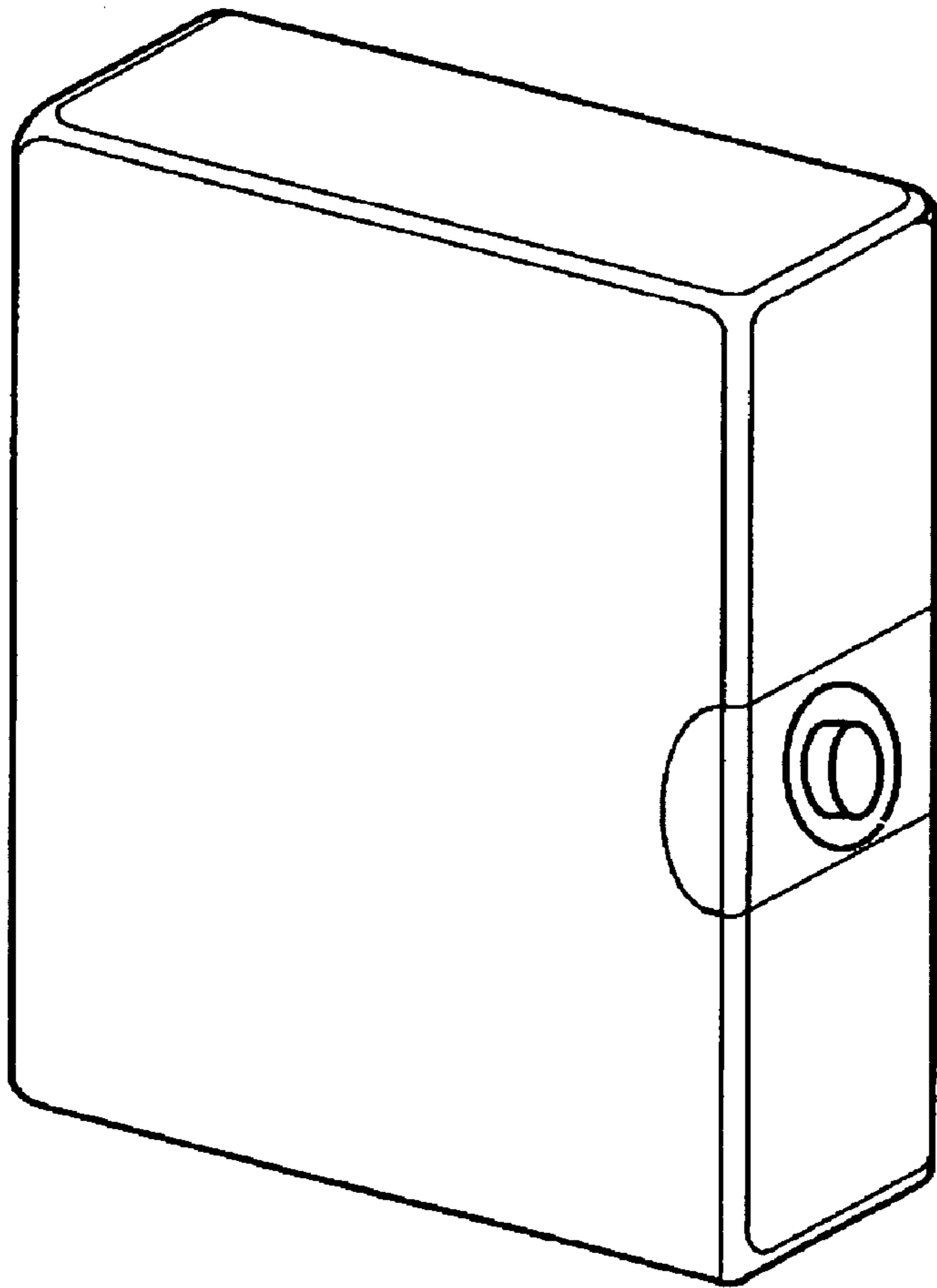


Figure 7

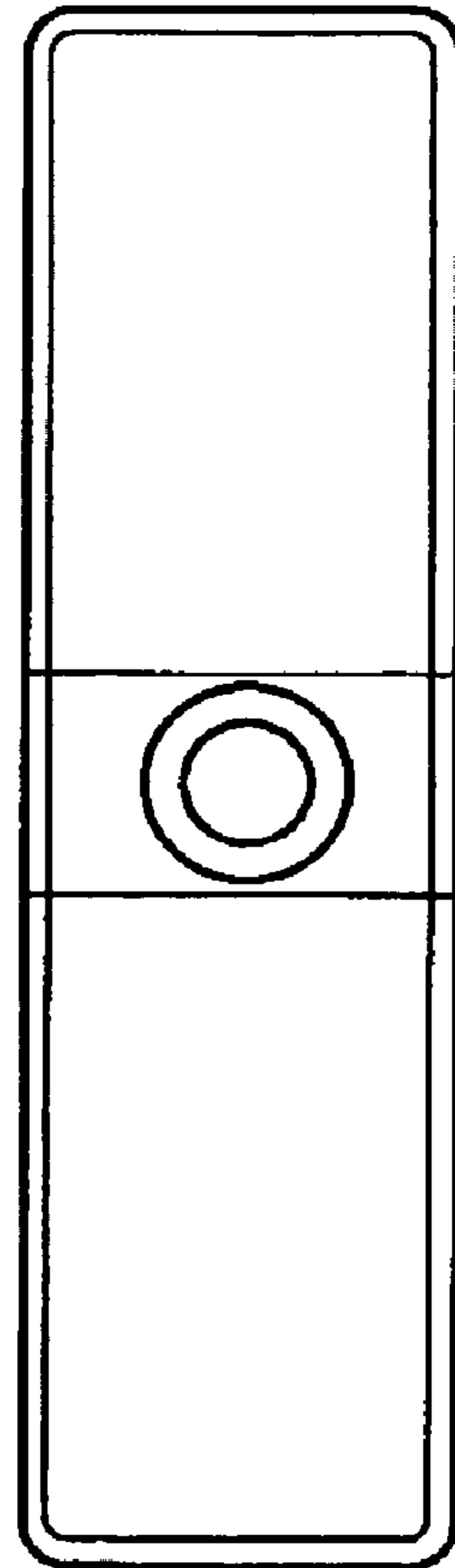


Figure 8

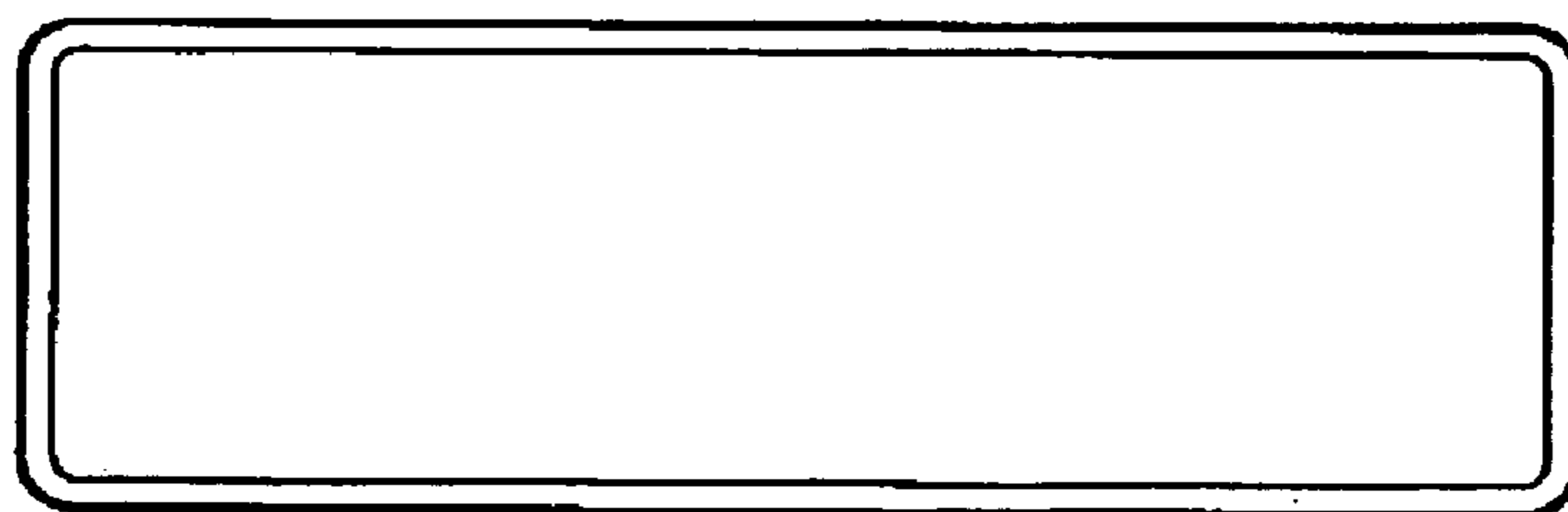


Figure 9