



US00D563233S

(12) **United States Design Patent**
Patzak

(10) **Patent No.:** **US D563,233 S**
(45) **Date of Patent:** **** Mar. 4, 2008**

(54) **BOTTLE**

(75) Inventor: **Peter (Karl) Patzak**, Muehtal (DE)

(73) Assignee: **The Procter & Gamble Company**,
Cincinnati, OH (US)

(**) Term: **14 Years**

(21) Appl. No.: **29/269,600**

(22) Filed: **Dec. 4, 2006**

(51) **LOC (8) Cl.** **09-01**

(52) **U.S. Cl.** **D9/558; D9/549; D9/574;**
D9/575

(58) **Field of Classification Search** **D9/682-695,**
D9/516-575, 447-450; 215/384-386; 220/669,
220/675; D28/76, 77, 85, 91.1
See application file for complete search history.

(56) **References Cited**

U.S. PATENT DOCUMENTS

D58,329 S *	7/1921	Hothersall	D9/767
D58,380 S *	7/1921	Hothersall	D9/767
D103,051 S *	2/1937	Higgins	D9/574
D213,092 S *	1/1969	Burrough	D9/574
D219,096 S *	11/1970	Mauri-Closa	D9/574
D234,077 S *	1/1975	Peterson	D9/544
D411,460 S *	6/1999	Nobuto	D9/560
D444,388 S *	7/2001	Bakic	D9/539
D472,475 S *	4/2003	Pinard	D9/574
D476,902 S *	7/2003	Snyder	D9/561
D506,391 S *	6/2005	Busch et al.	D9/522
D512,637 S *	12/2005	De Monclin	D9/522

FOREIGN PATENT DOCUMENTS

CN	3427532	2/2005
GB	DES. 2106048	* 11/2001

OTHER PUBLICATIONS

U.S. Appl. No. 29/269,599, filed Dec. 4, 2006, Patzak.

* cited by examiner

Primary Examiner—Catherine Tuttle

(74) *Attorney, Agent, or Firm*—Linda M. Sivik

(57) **CLAIM**

The ornamental design for a bottle, as shown and described.

DESCRIPTION

FIG. 1 is a perspective view of the second embodiment of the bottle, embodying our new design;

FIG. 2 is a front view thereof;

FIG. 3 is a top plan view thereof;

FIG. 4 is a bottom view thereof;

FIG. 5 is a left side view thereof;

FIG. 6 is a right side view thereof;

FIG. 7 is a cross sectional view taken along 15—15 in FIG. 2 thereof;

FIG. 8 is a cross sectional view taken along 16—16 in FIG. 2 thereof;

FIG. 9 is a perspective view of the fourth embodiment of the bottle, embodying our new design;

FIG. 10 is a front view thereof;

FIG. 11 is a top plan view thereof;

FIG. 12 is a bottom view thereof;

FIG. 13 is a left side view thereof;

FIG. 14 is a right side view thereof;

FIG. 15 is a cross sectional view taken along 31—31 in FIG. 10 thereof;

FIG. 16 is a cross sectional view taken along 32—32 in FIG. 10 thereof;

FIG. 17 is a perspective view of the sixth embodiment of the bottle, embodying our new design;

FIG. 18 is a front view thereof;

FIG. 19 is a back side view thereof;

FIG. 20 is a top plan view thereof;

FIG. 21 is a bottom view thereof;

FIG. 22 is a left side view thereof;

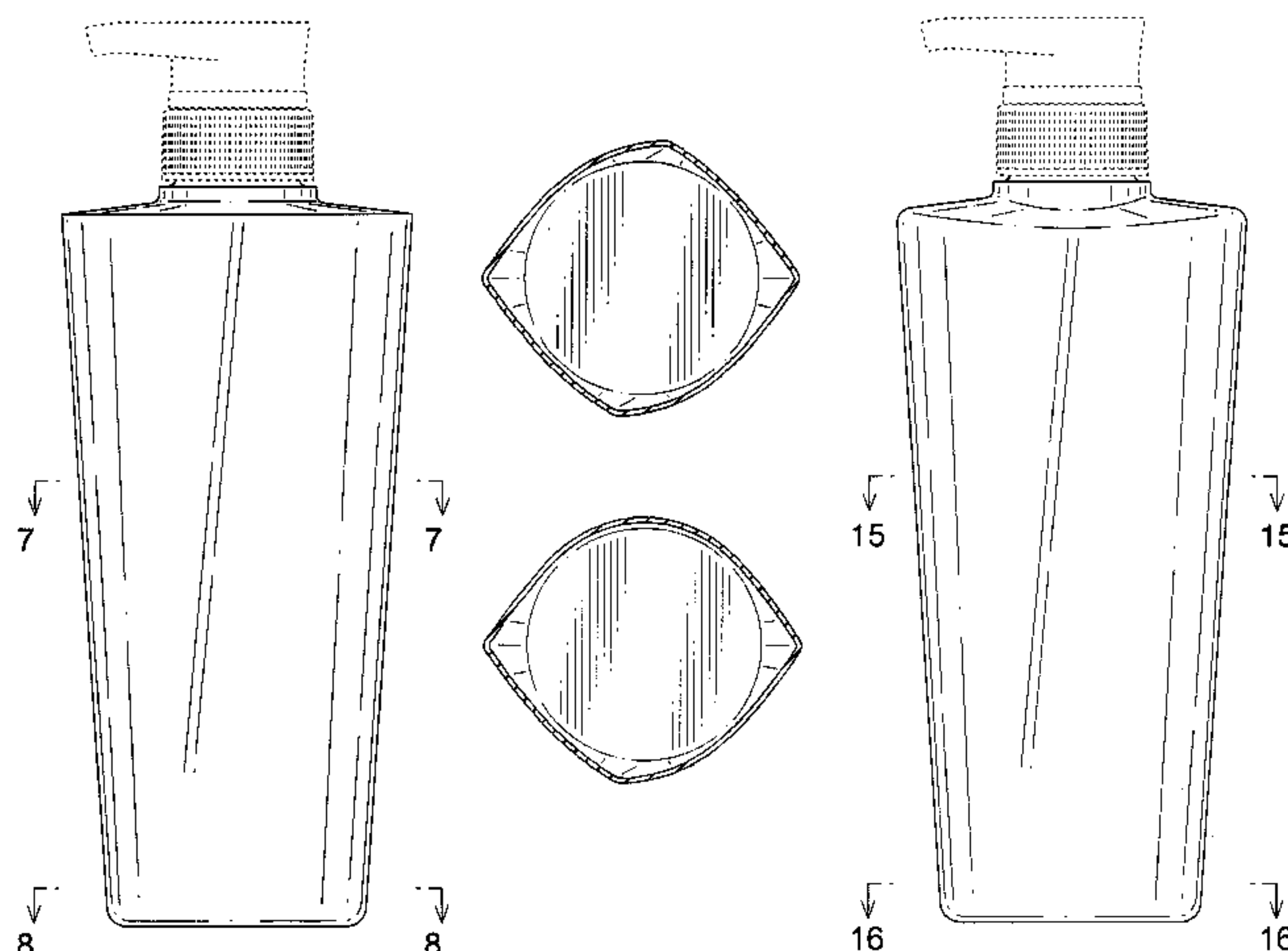


FIG. 23 is a right side view thereof;

FIG. 24 is a cross sectional view taken along 49—49 in FIG. 18 thereof;

FIG. 25 is a cross sectional view taken along 50—50 in FIG. 18 thereof;

FIG. 26 is a perspective view of the eighth embodiment of the bottle, embodying our new design;

FIG. 27 is a front view thereof;

FIG. 28 is a back side view thereof;

FIG. 29 is a top plan view thereof;

FIG. 30 is a bottom view thereof;

FIG. 31 is a left side view thereof;

FIG. 32 is a right side view thereof;

FIG. 33 is a cross sectional view taken along 67—67 in FIG. 27 thereof; and,

FIG. 34 is a cross sectional view taken along 68—68 in FIG. 27 thereof.

1 Claim, 22 Drawing Sheets

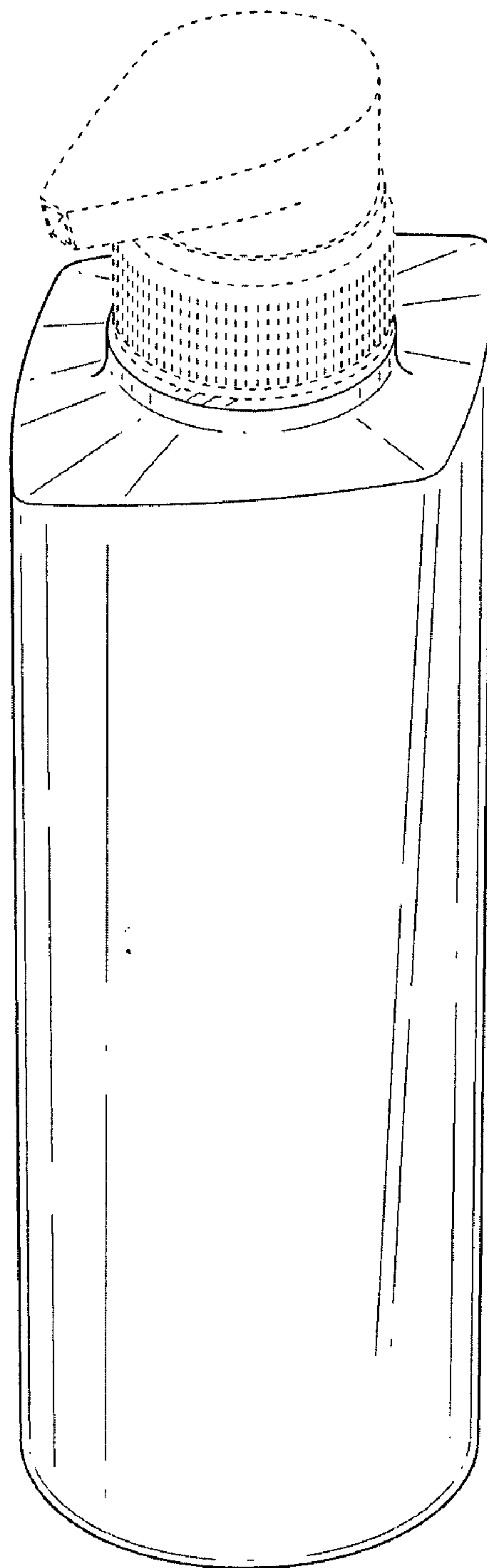


Fig. 1

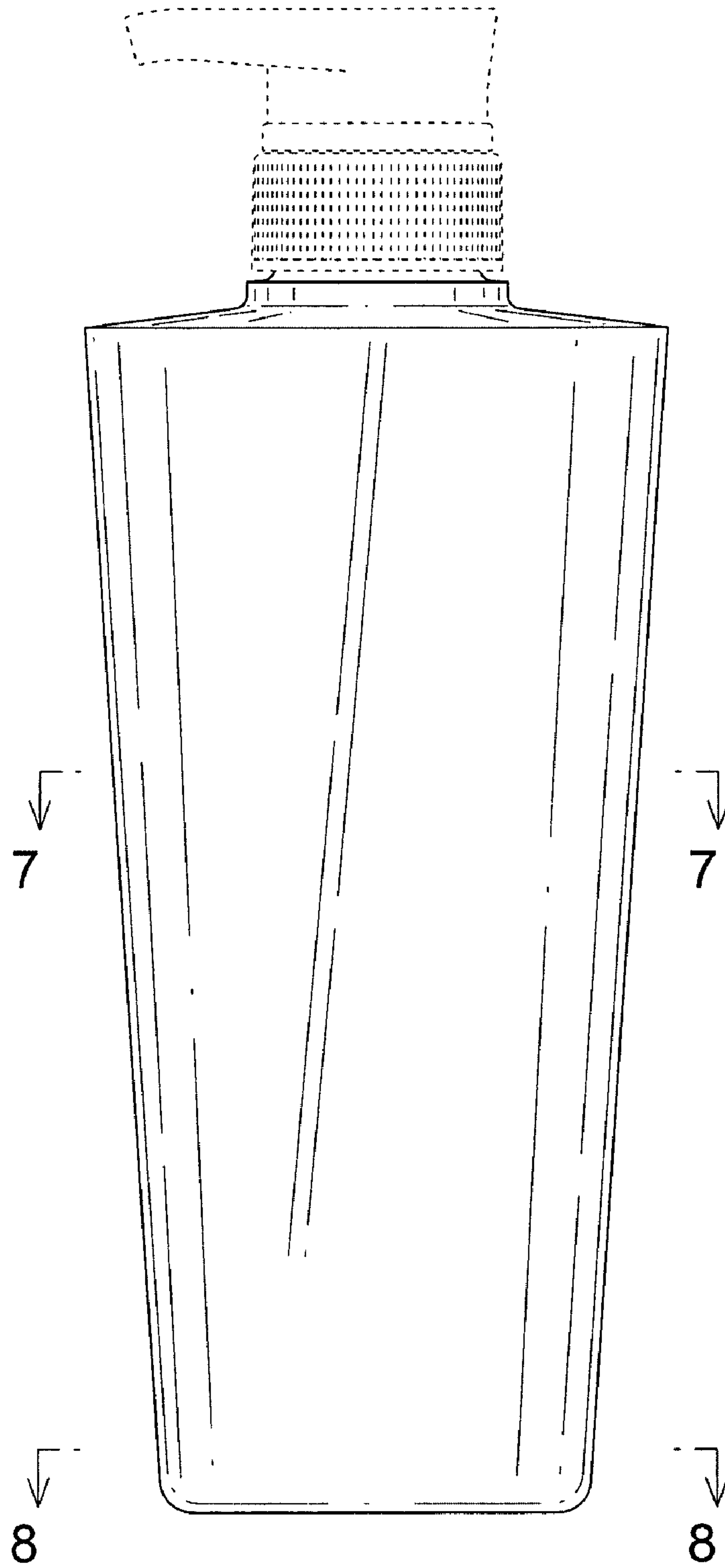


Fig. 2

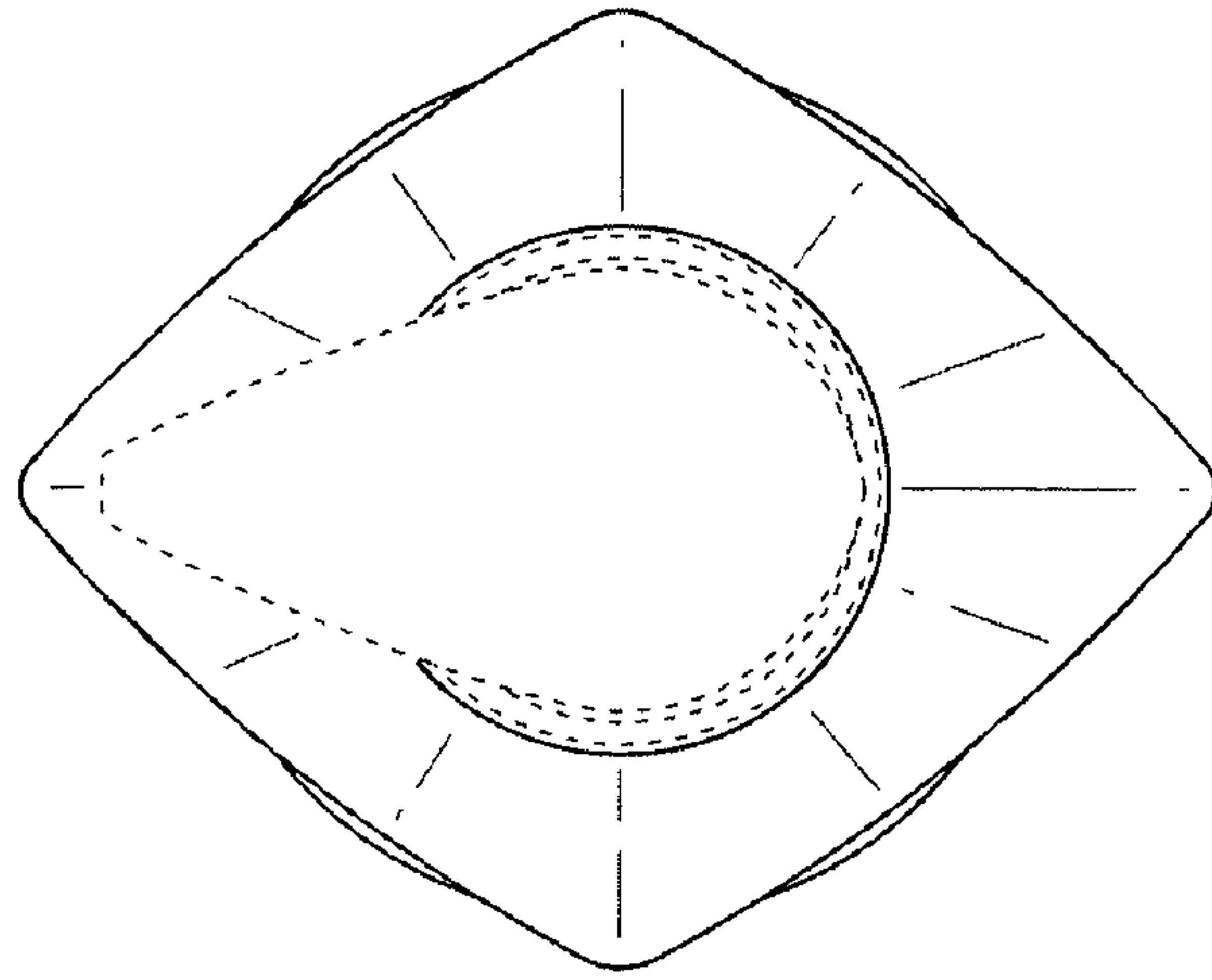


Fig. 3

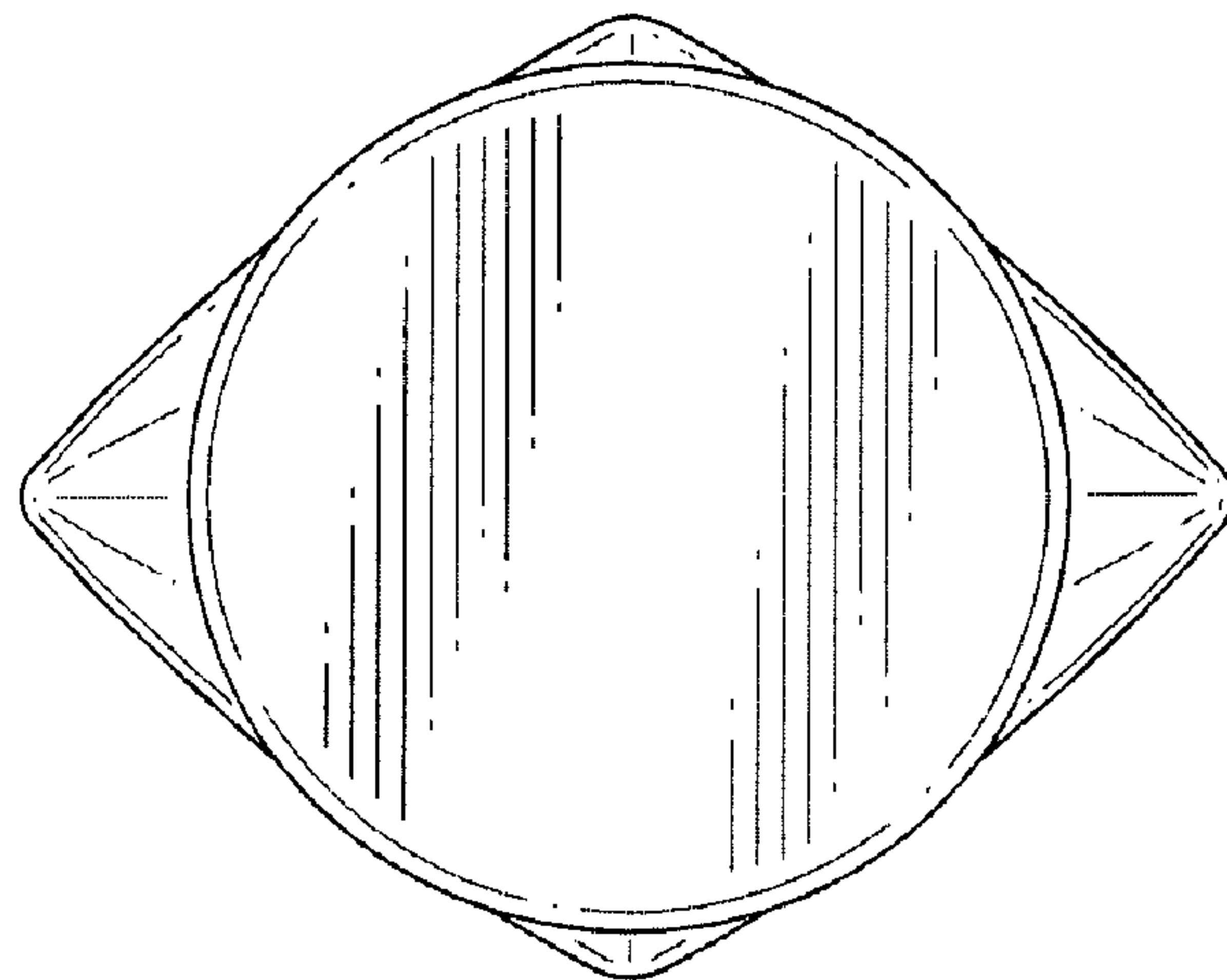


Fig. 4

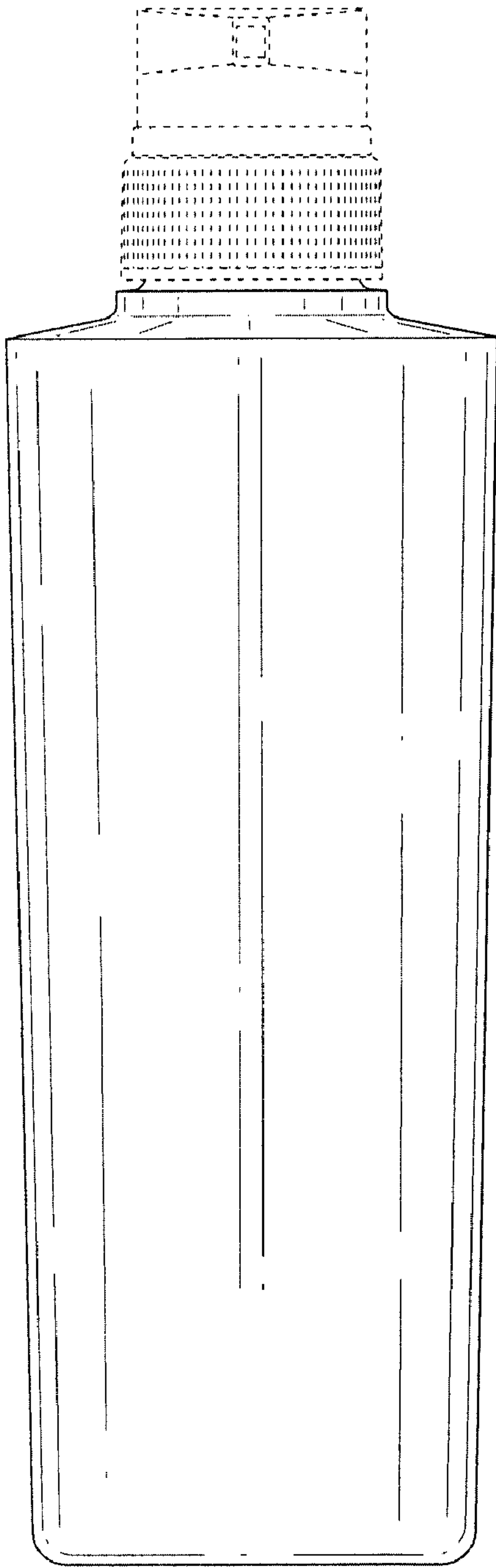


Fig. 5

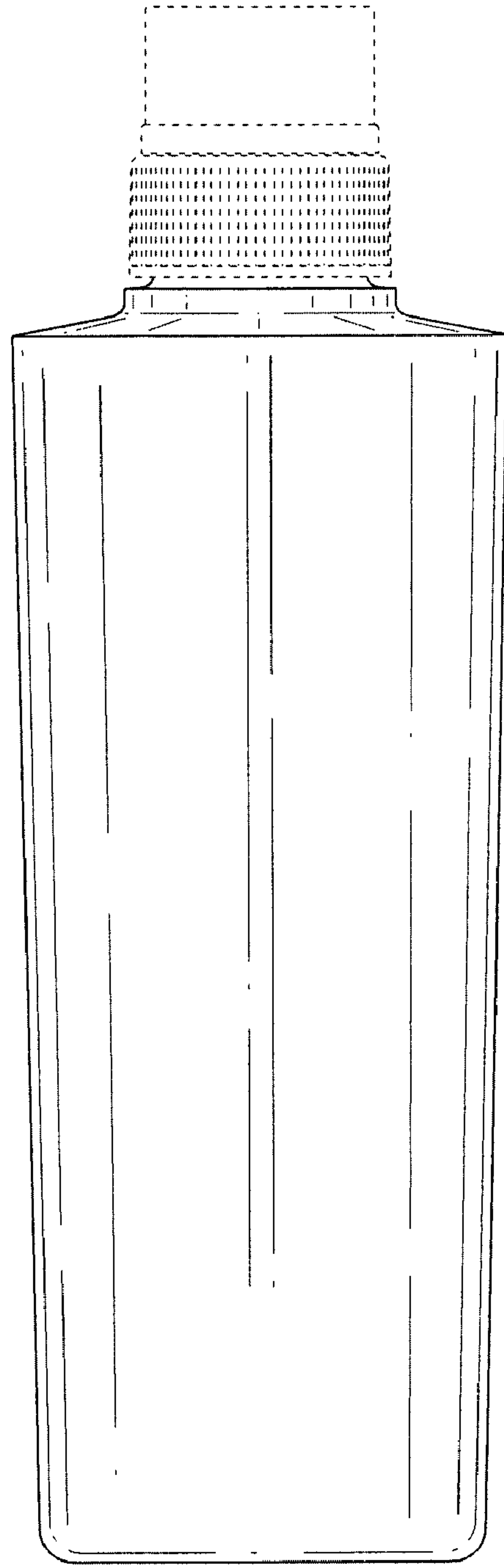


Fig. 6

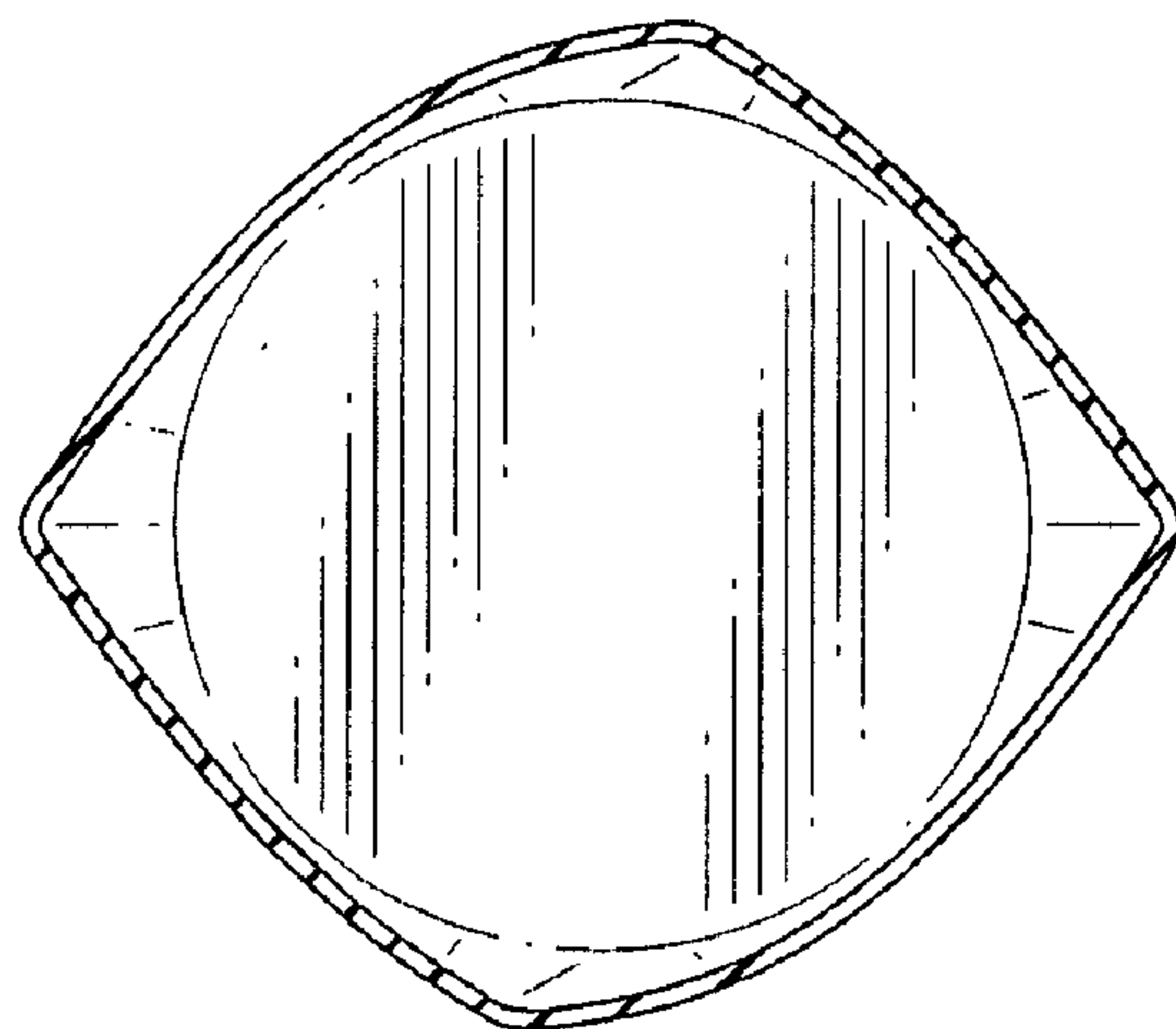


Fig. 7

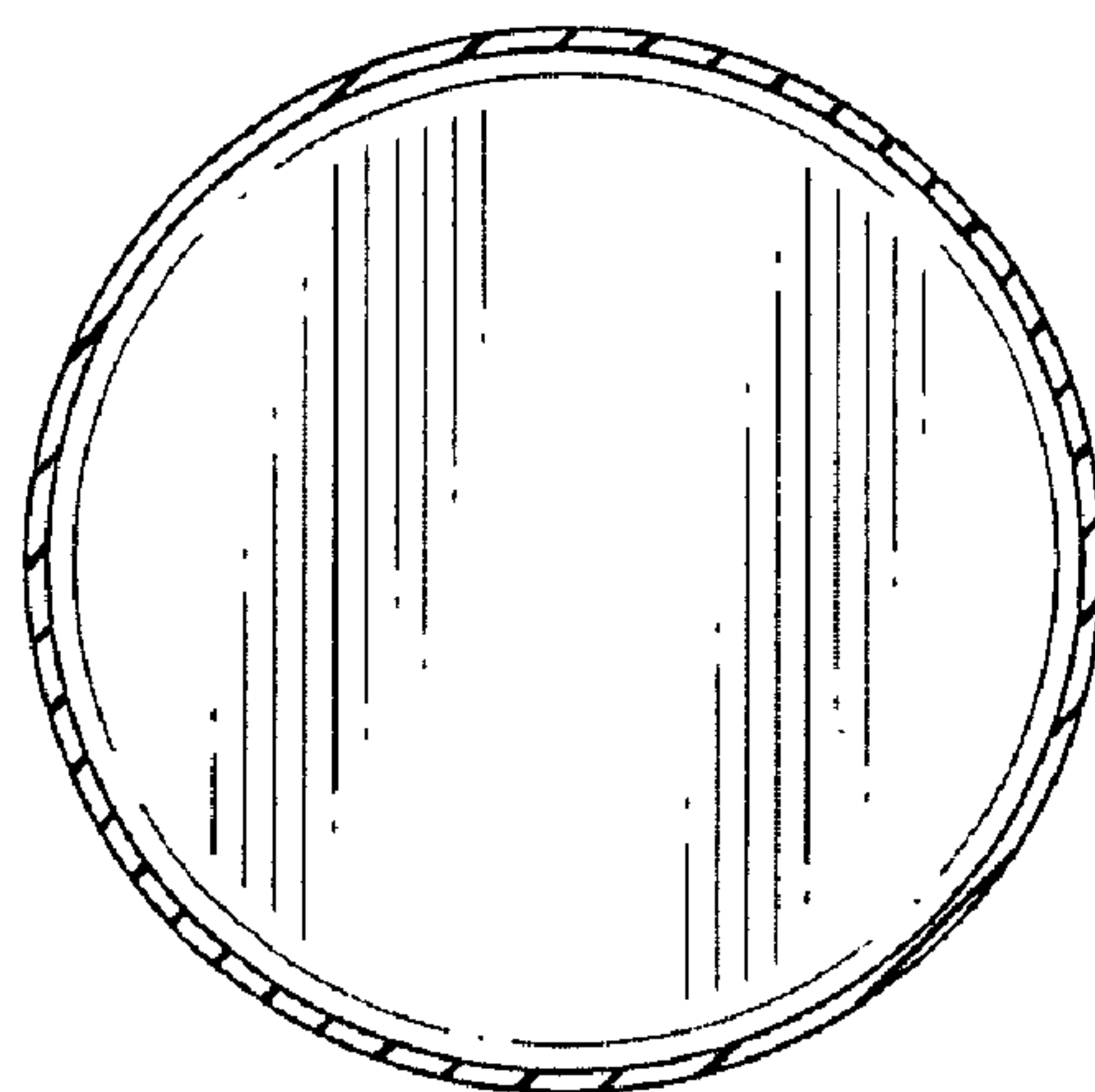


Fig. 8

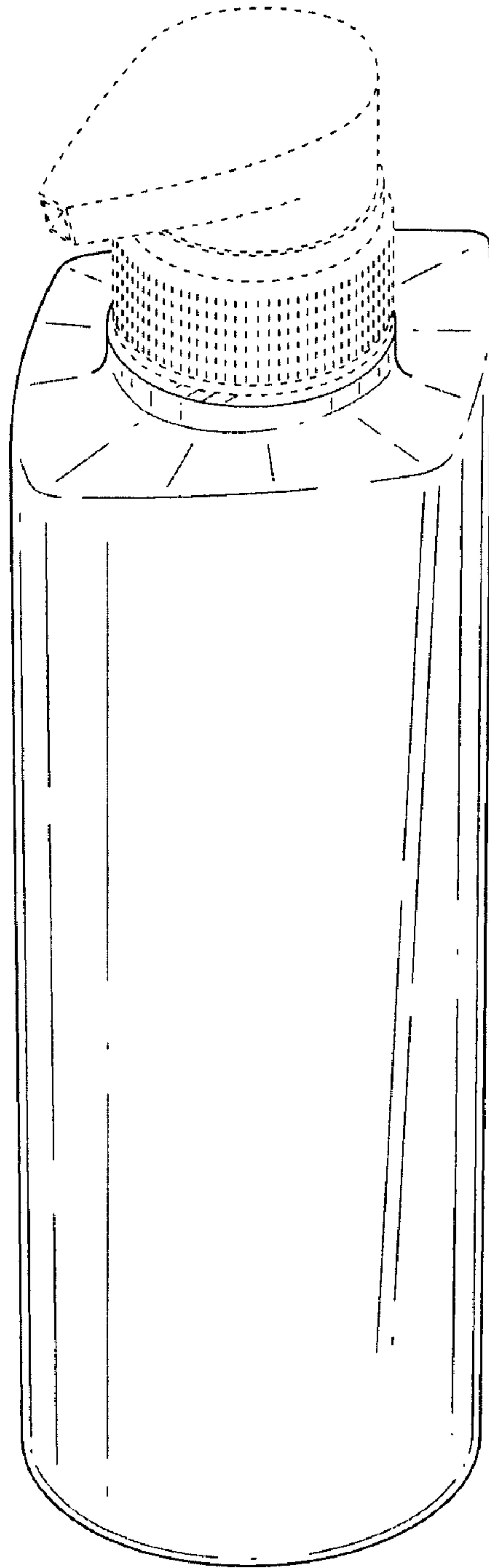


Fig. 9

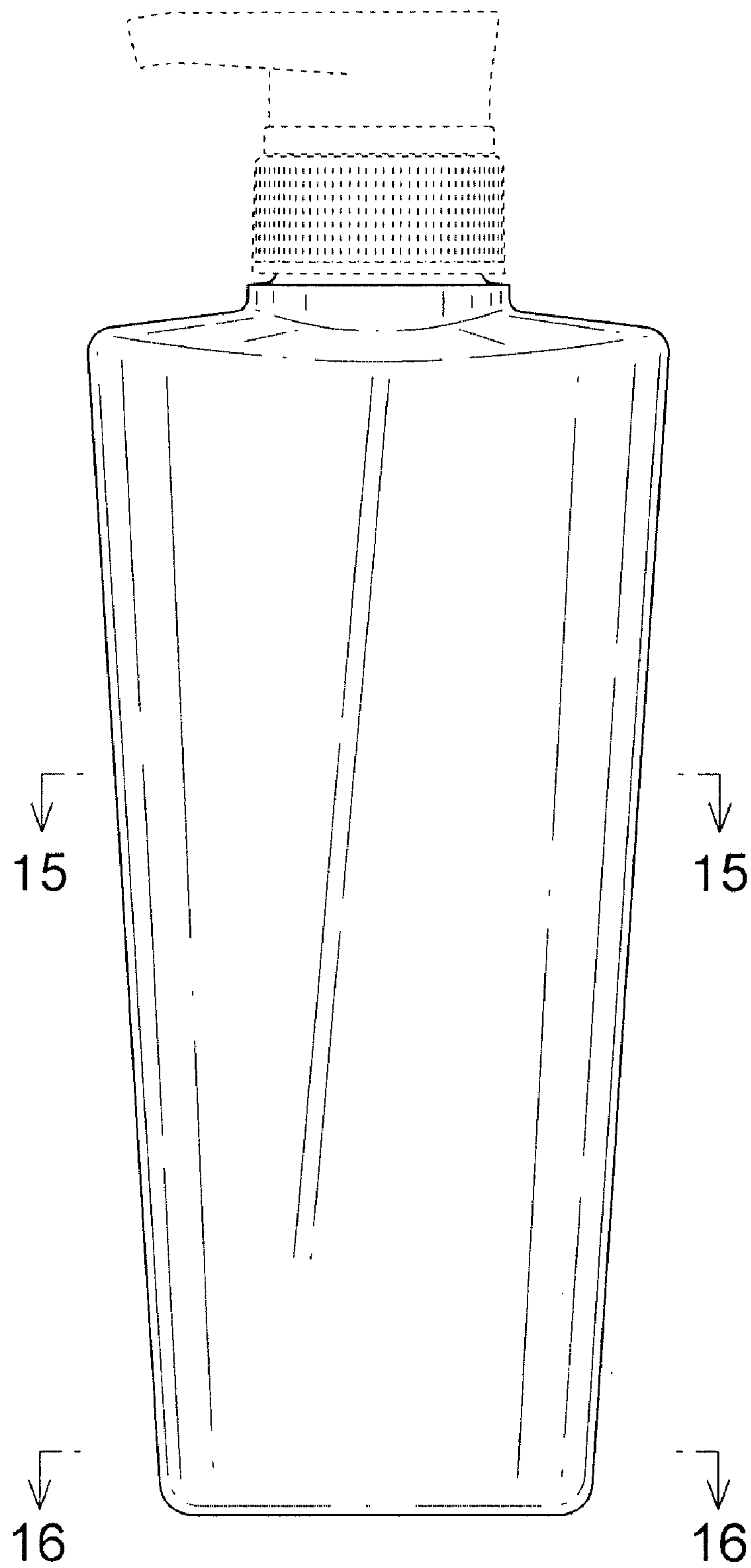


Fig. 10

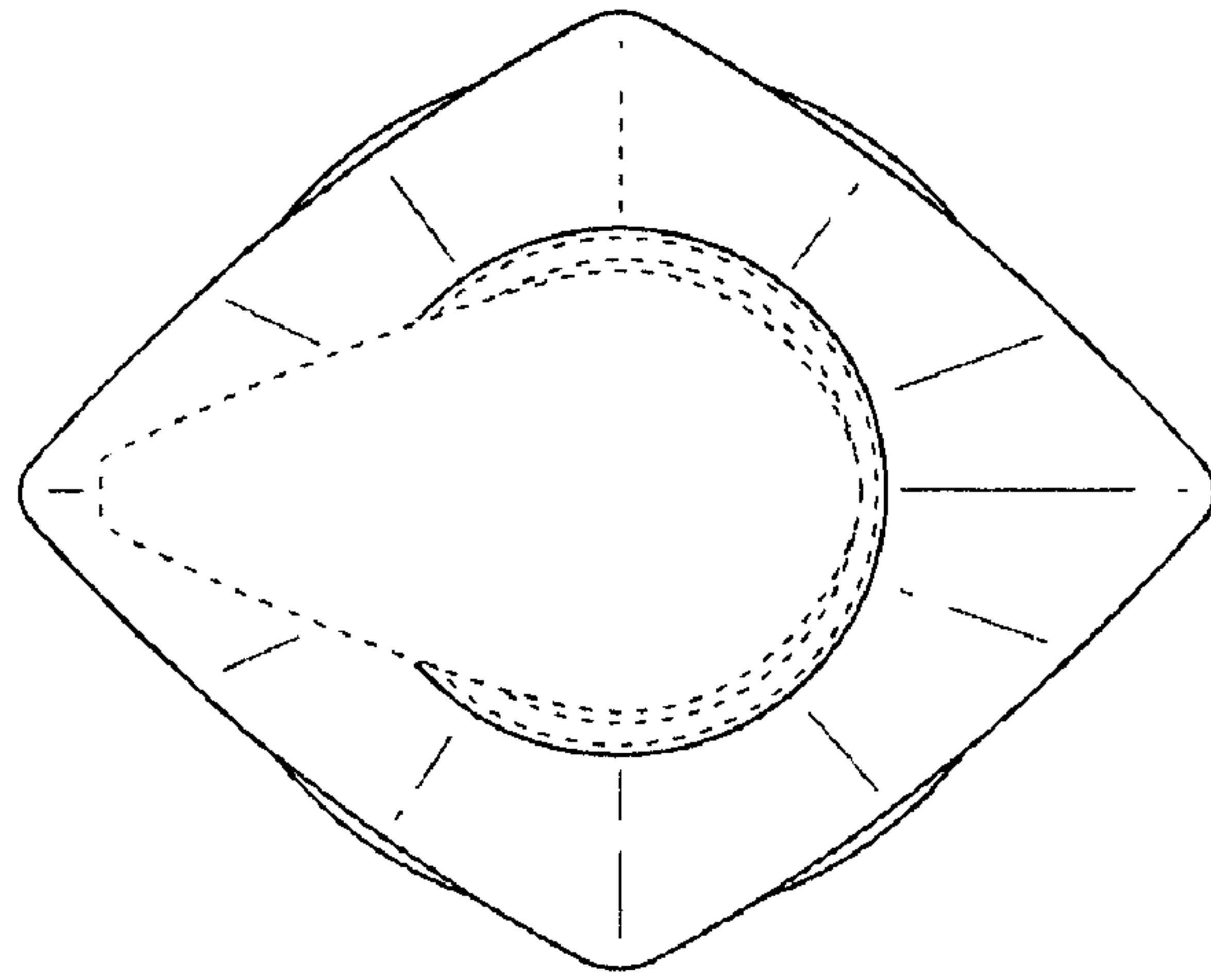


Fig. 11

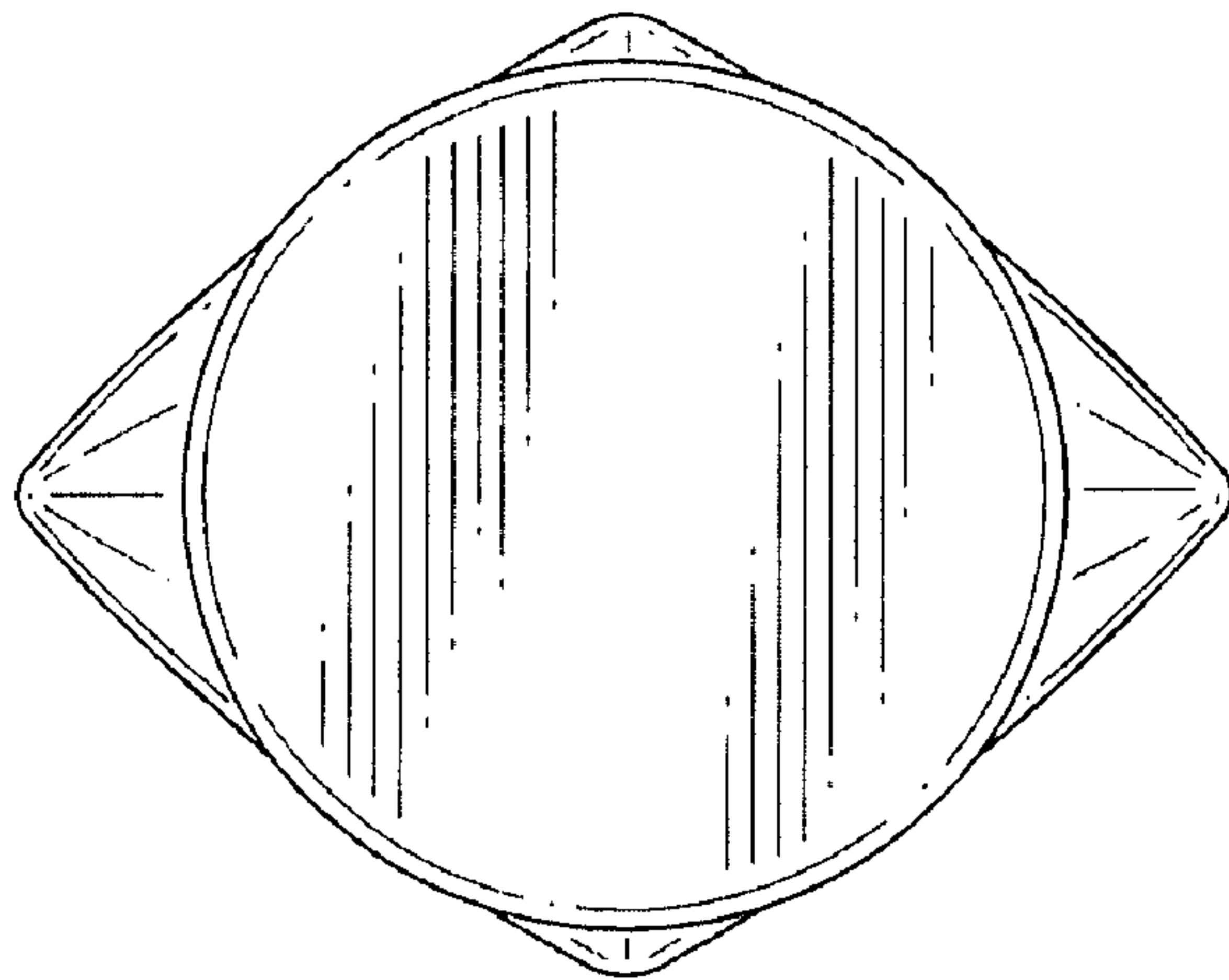


Fig. 12

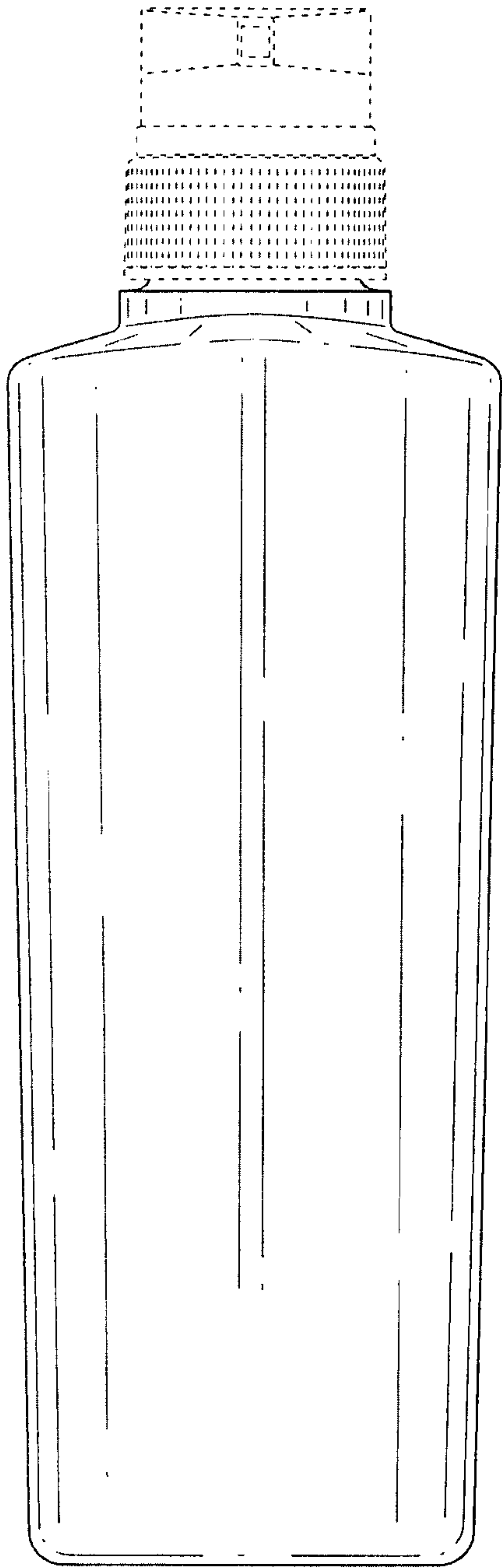


Fig. 13

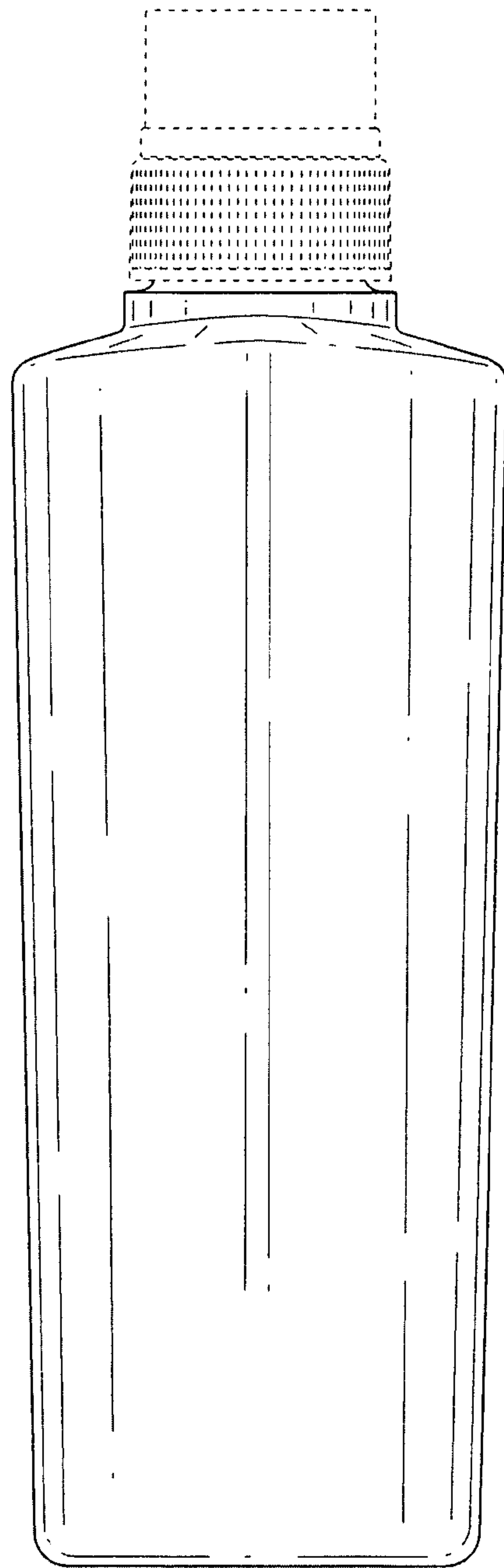


Fig. 14

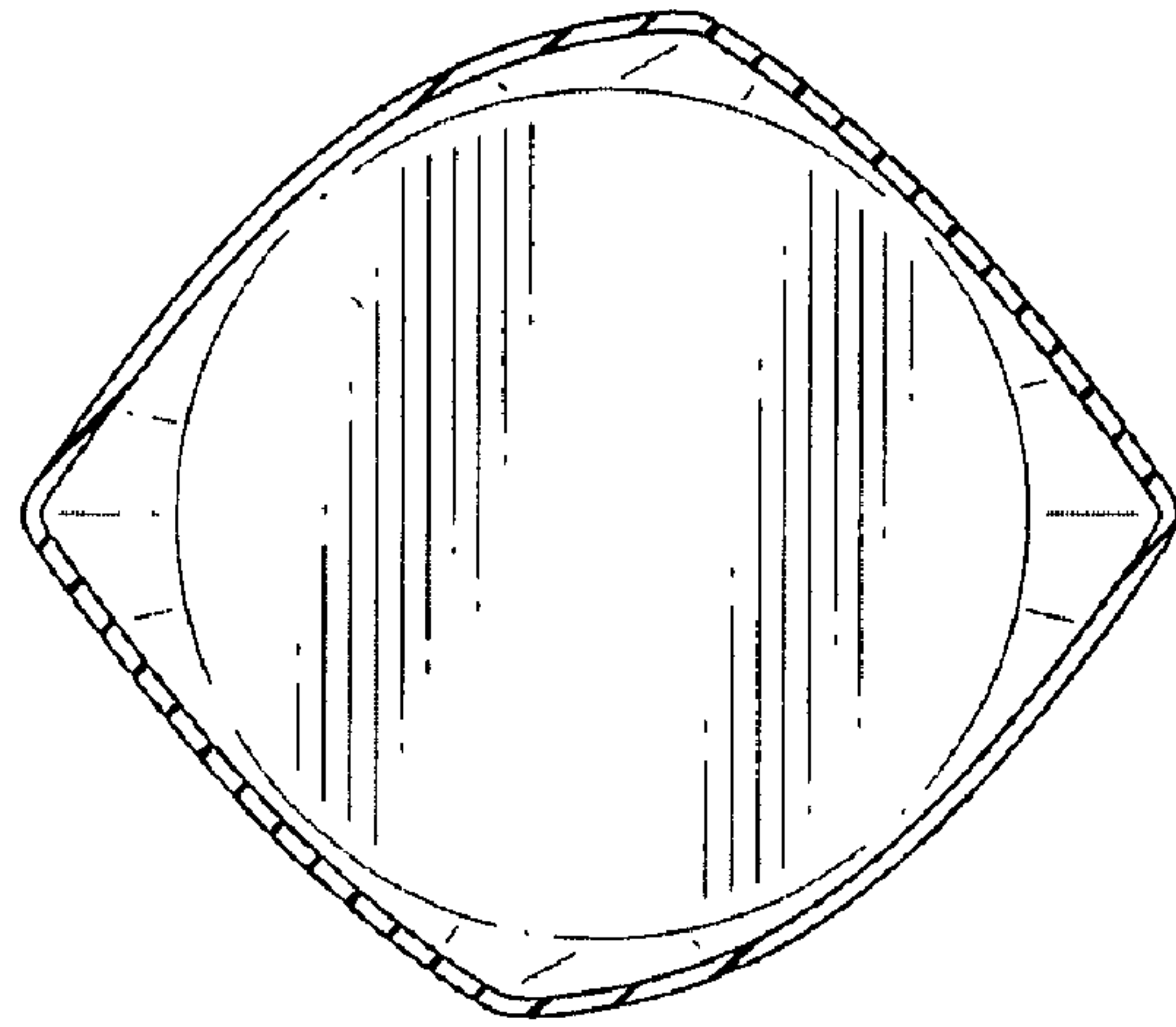


Fig. 15

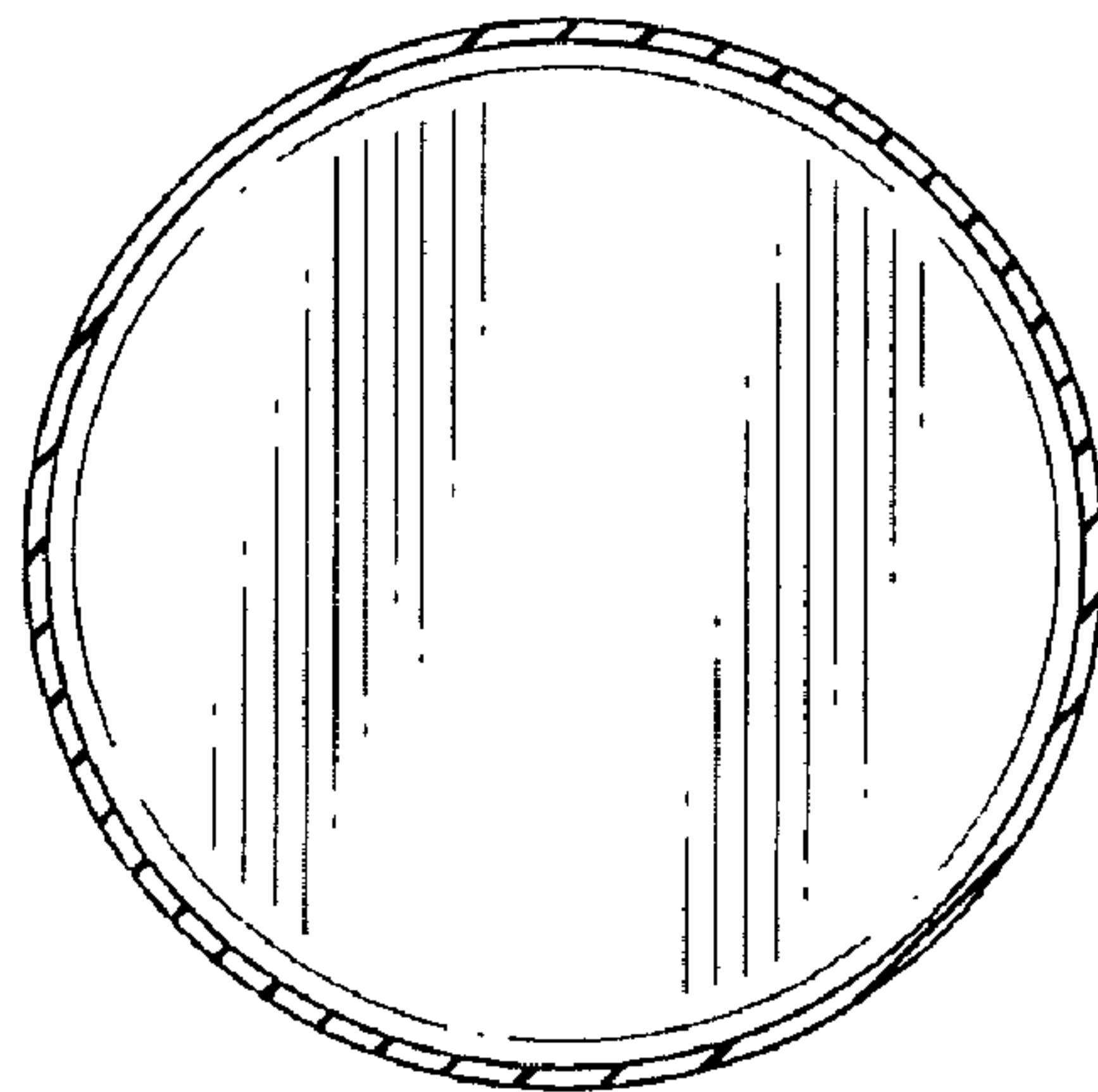


Fig. 16

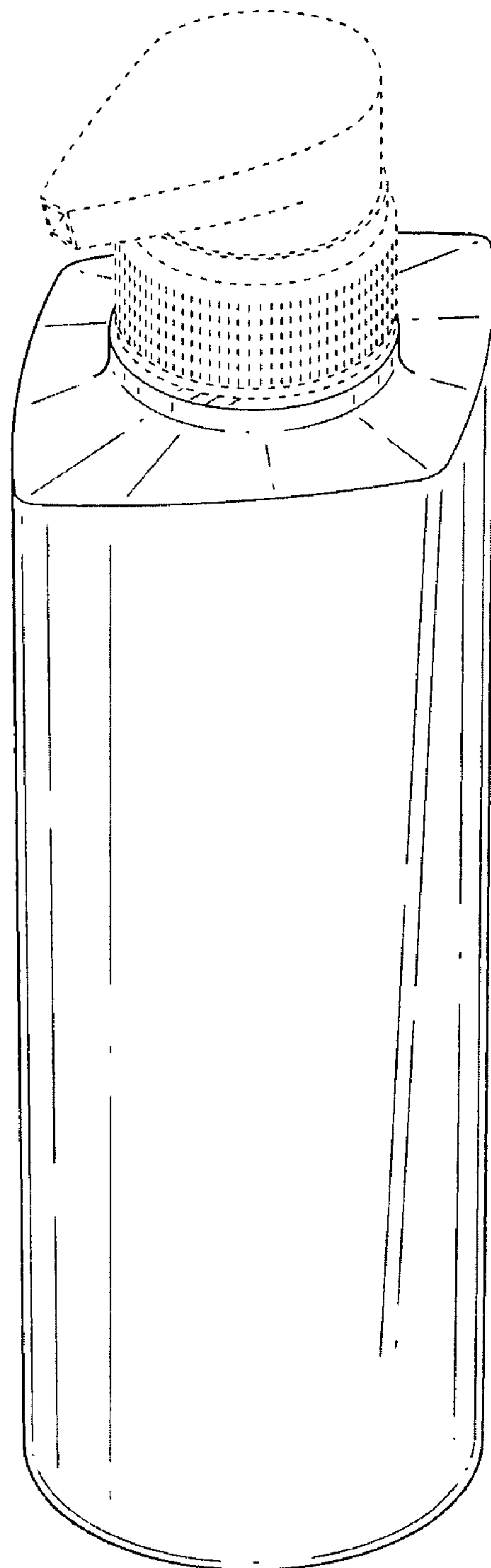


Fig. 17

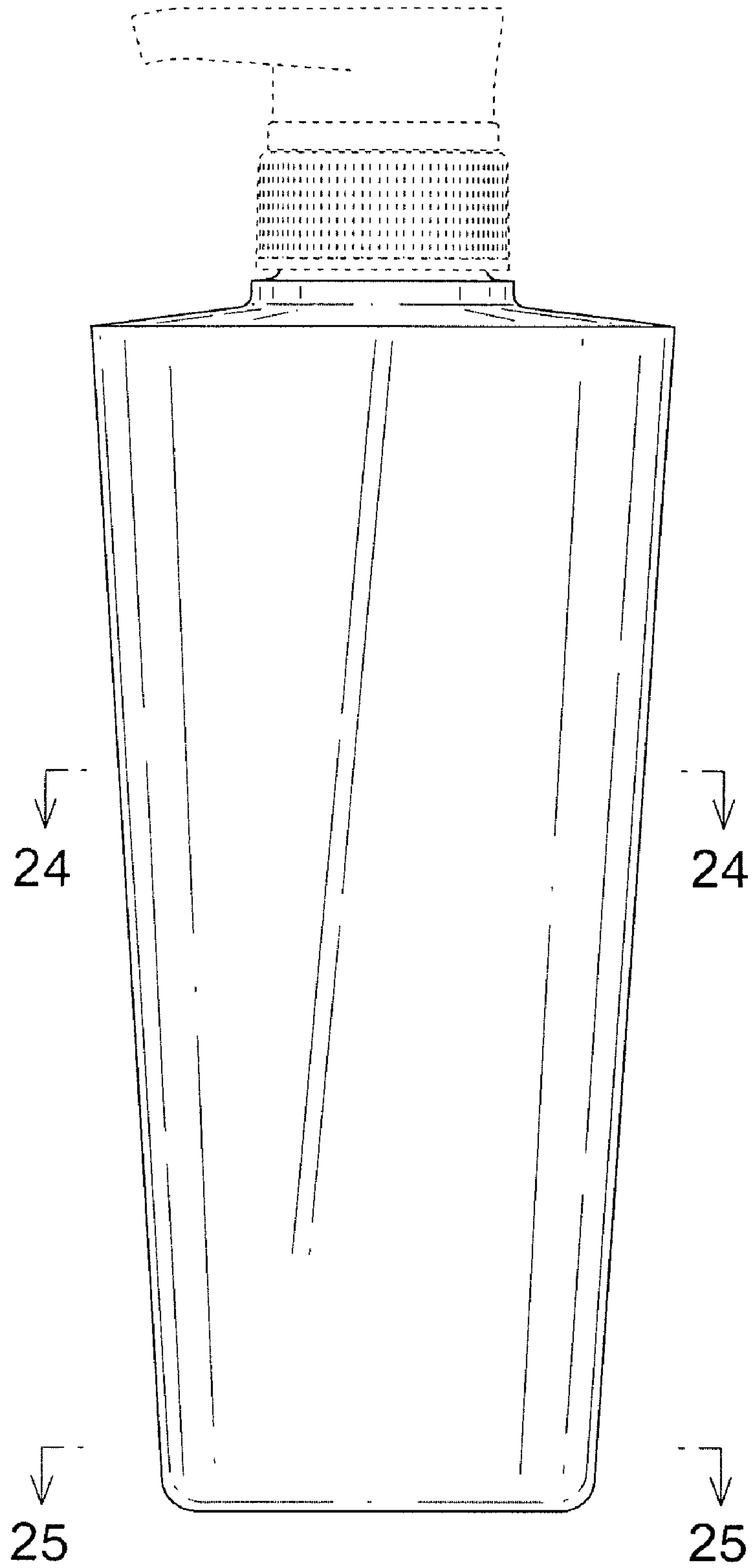


Fig. 18

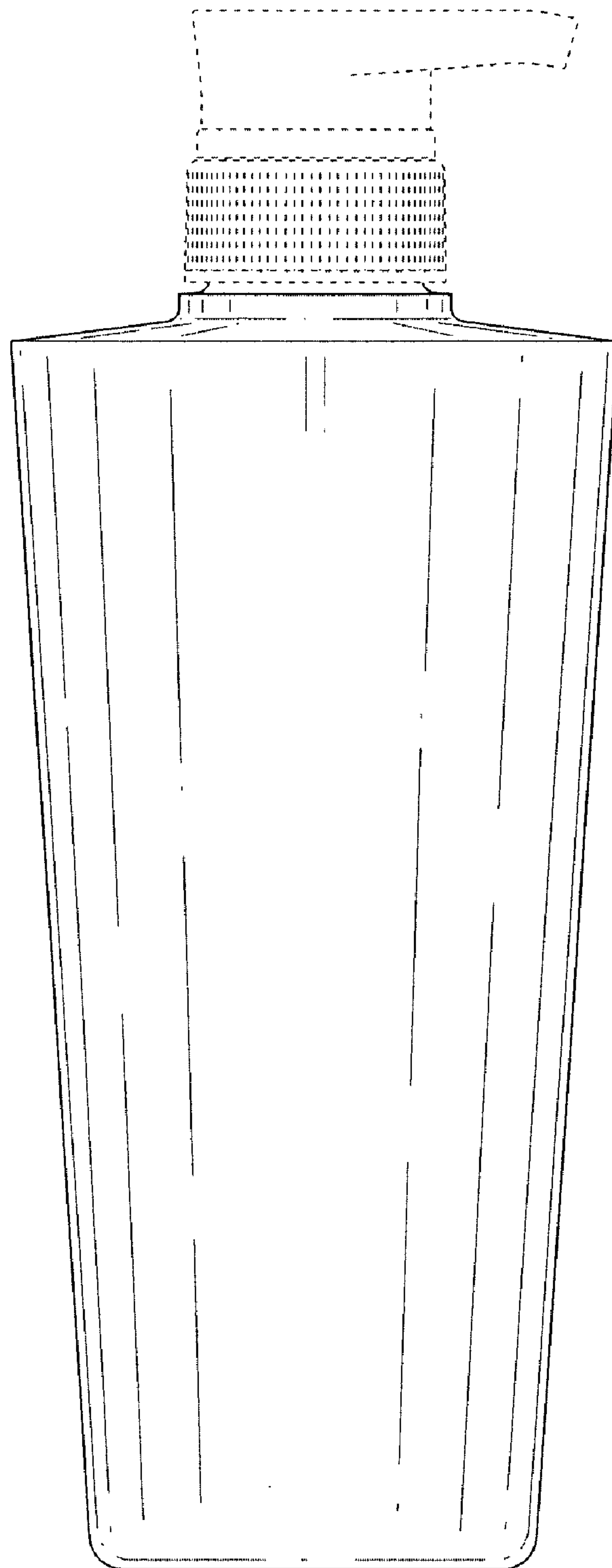


Fig. 19

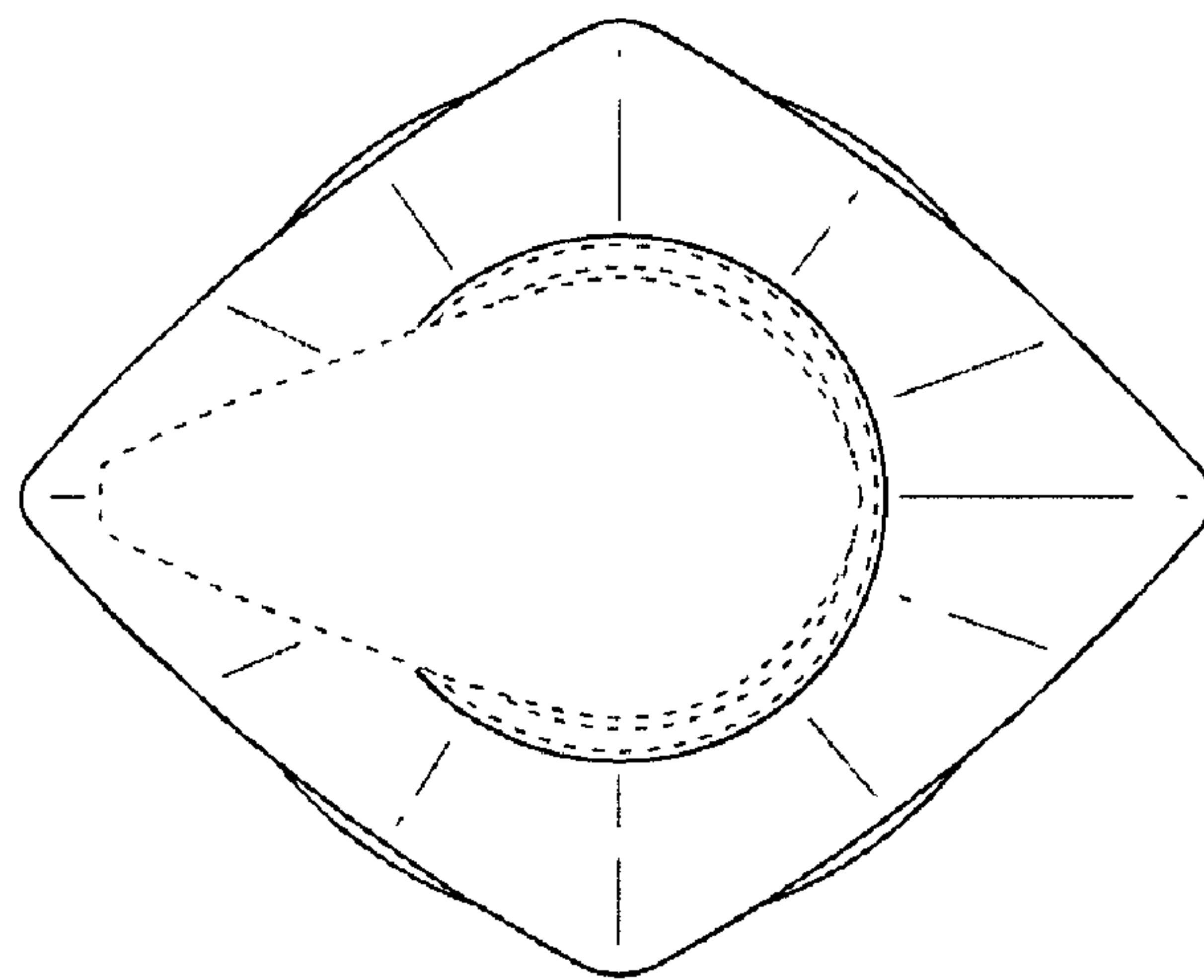


Fig. 20

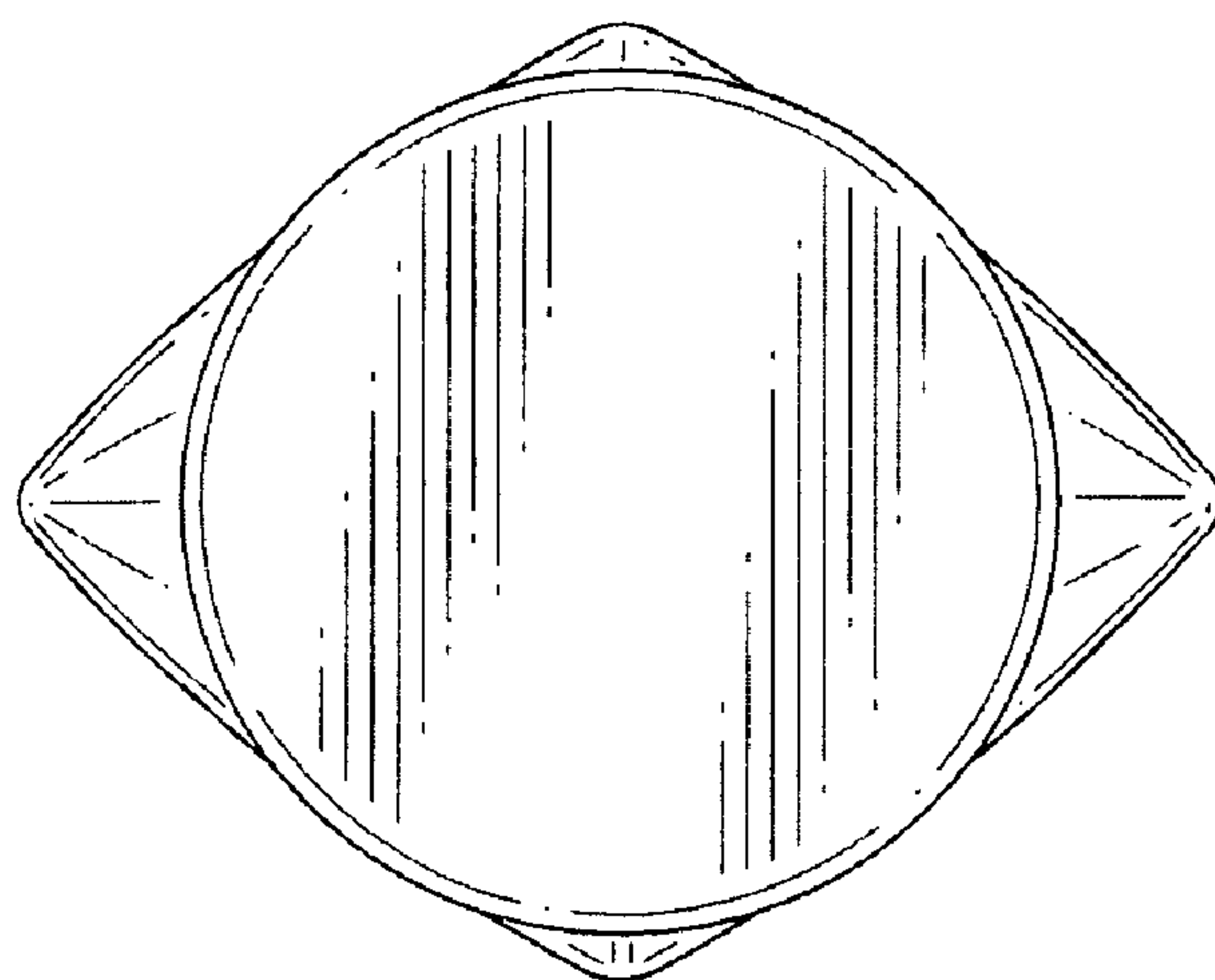


Fig. 21

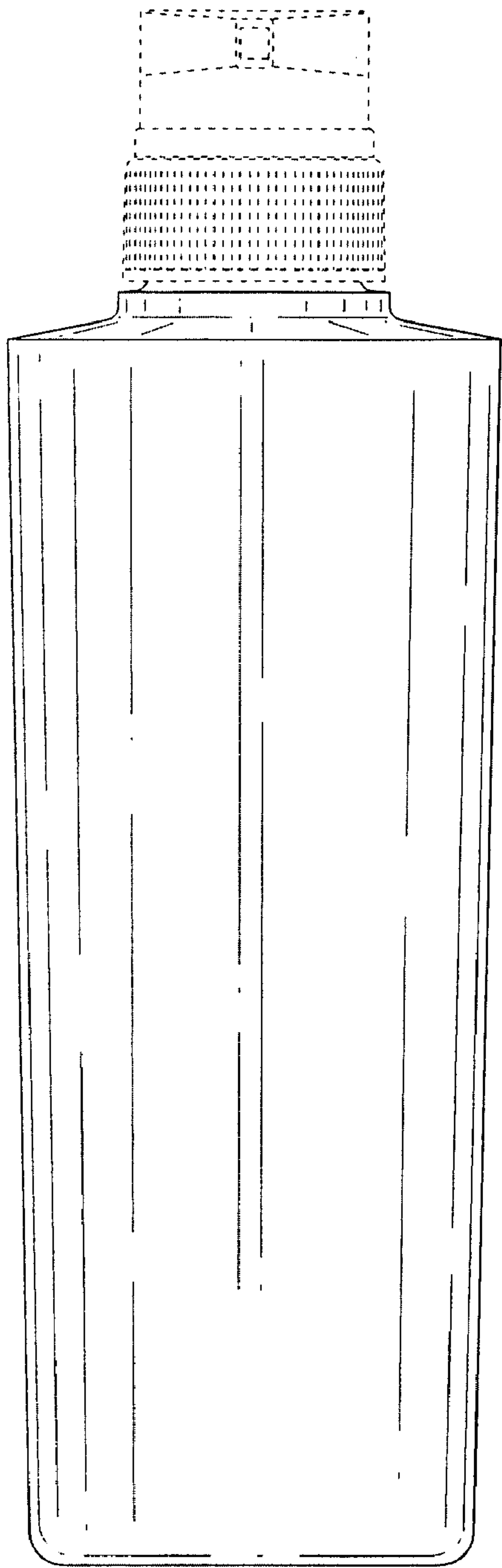


Fig. 22

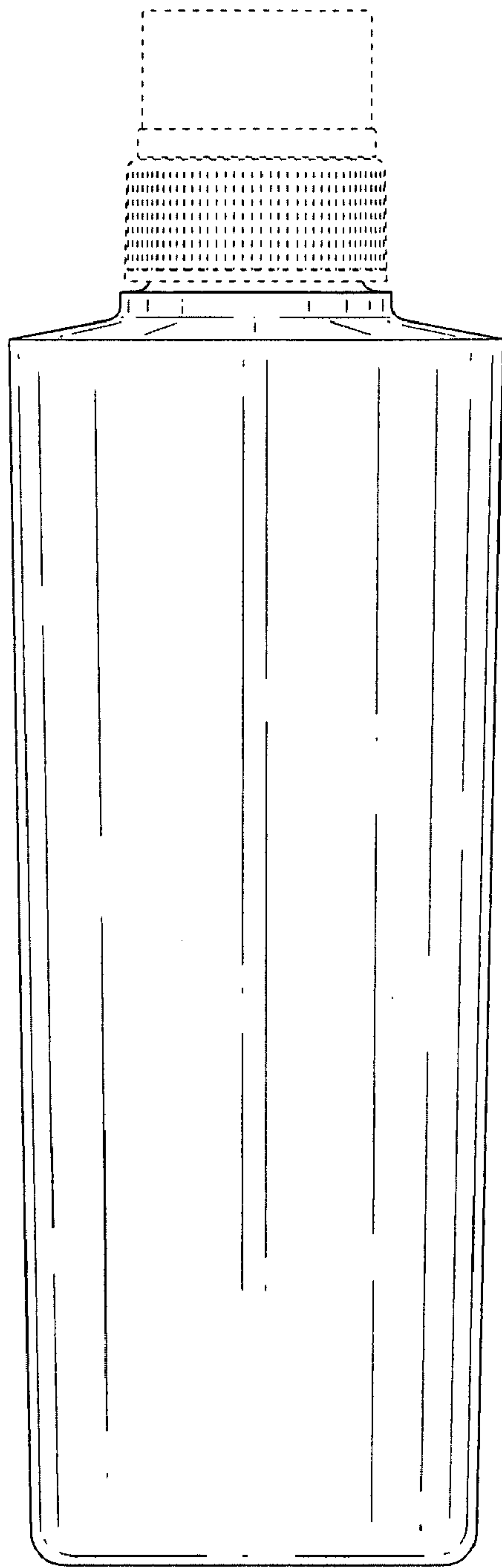


Fig. 23

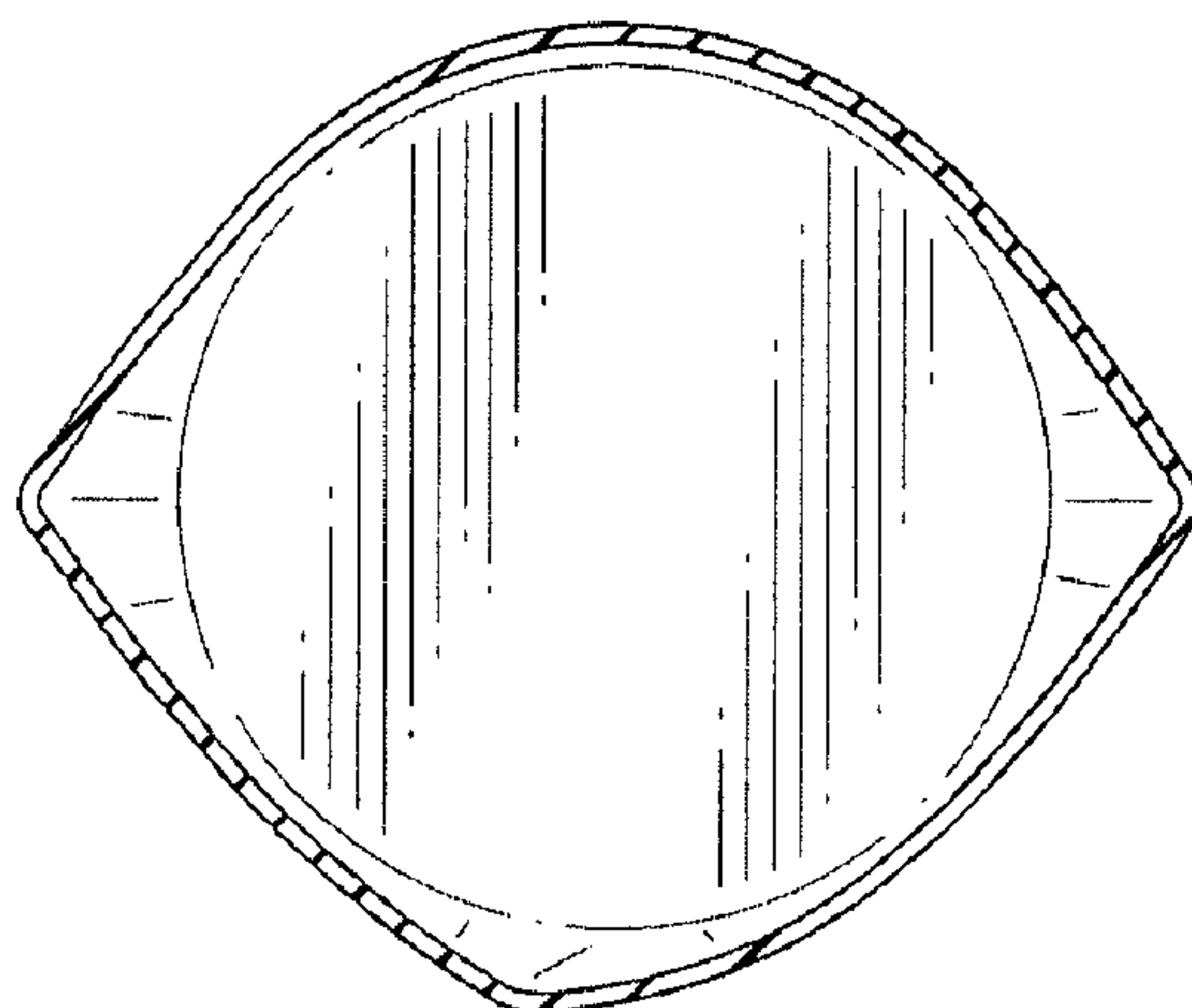


Fig. 24

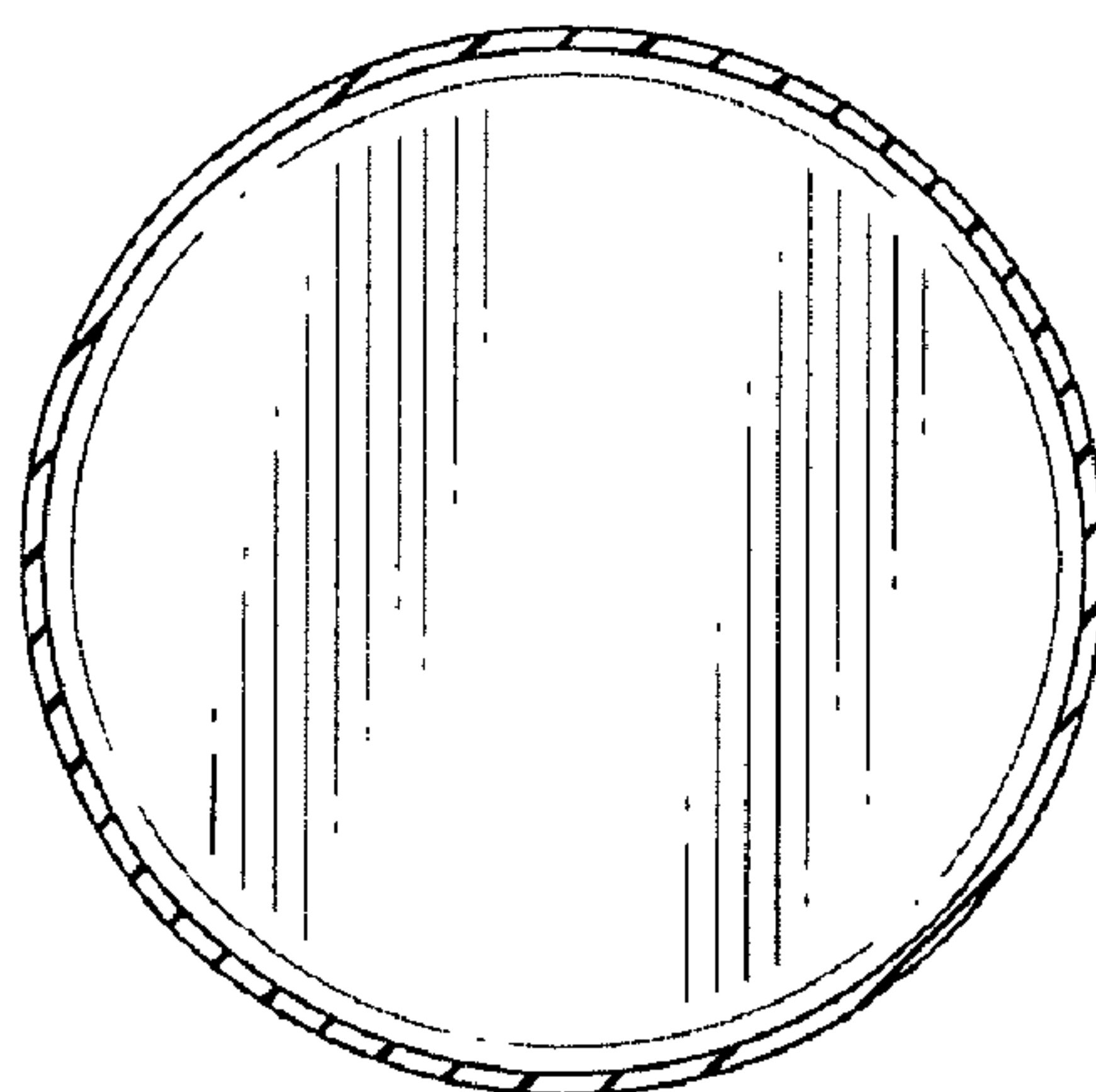


Fig. 25

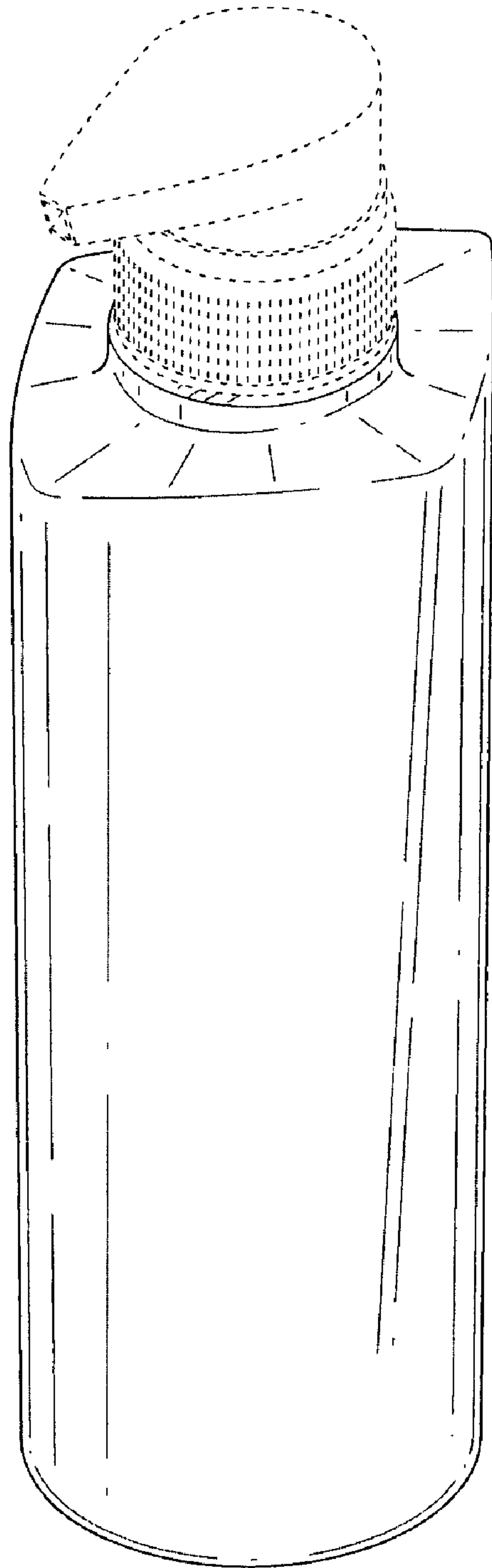


Fig. 26

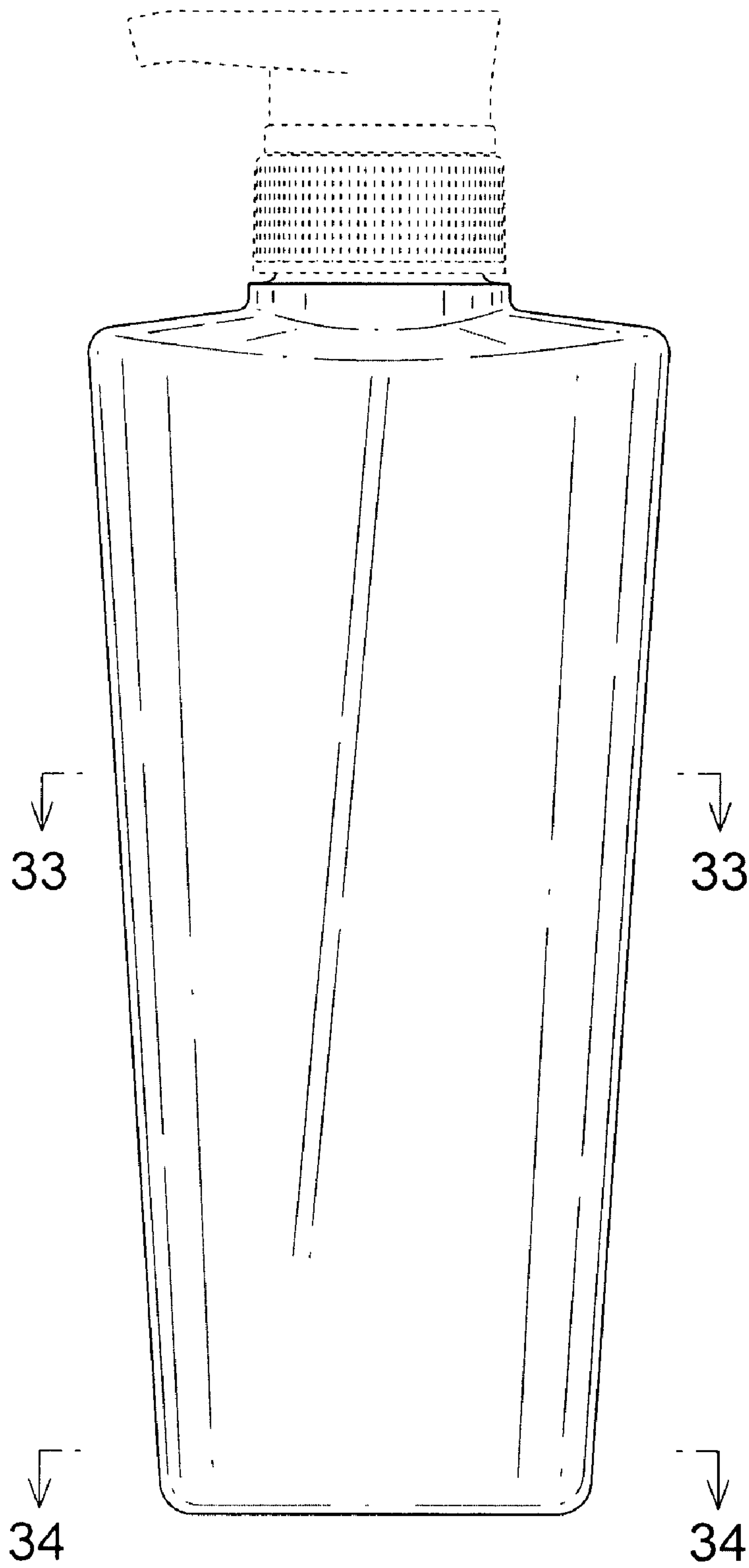


Fig. 27

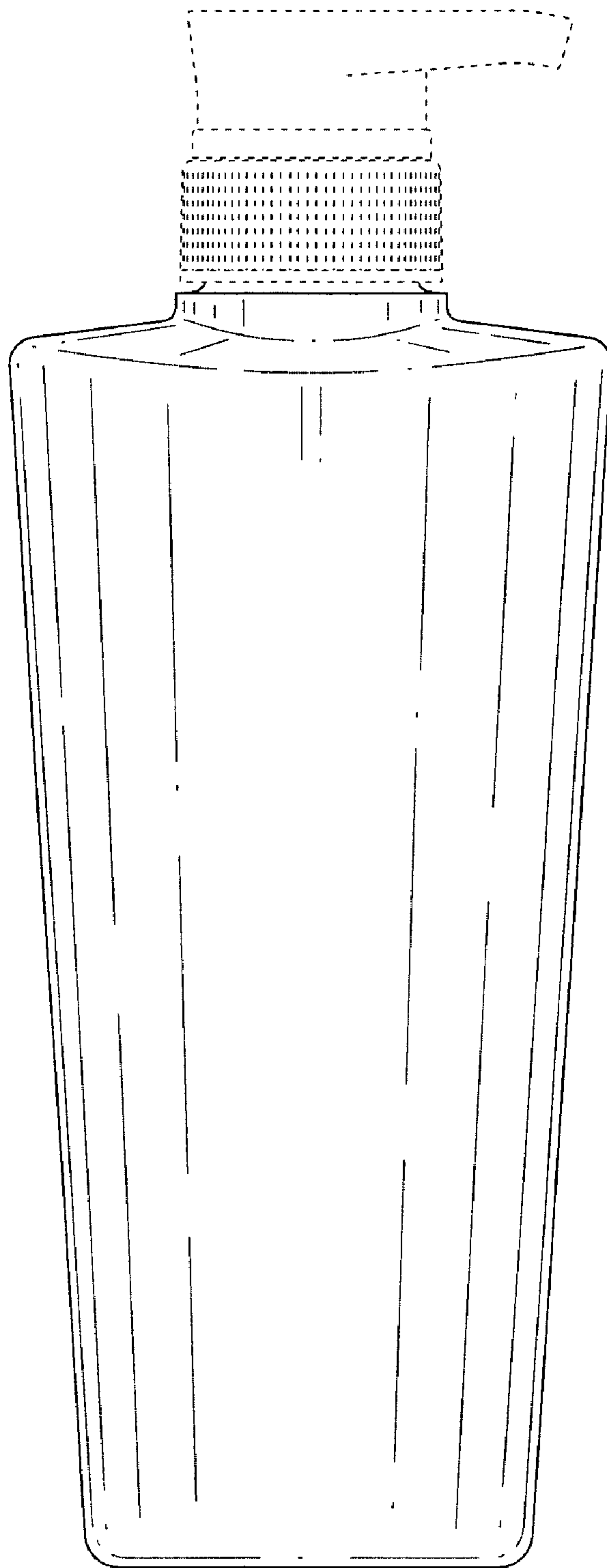


Fig. 28

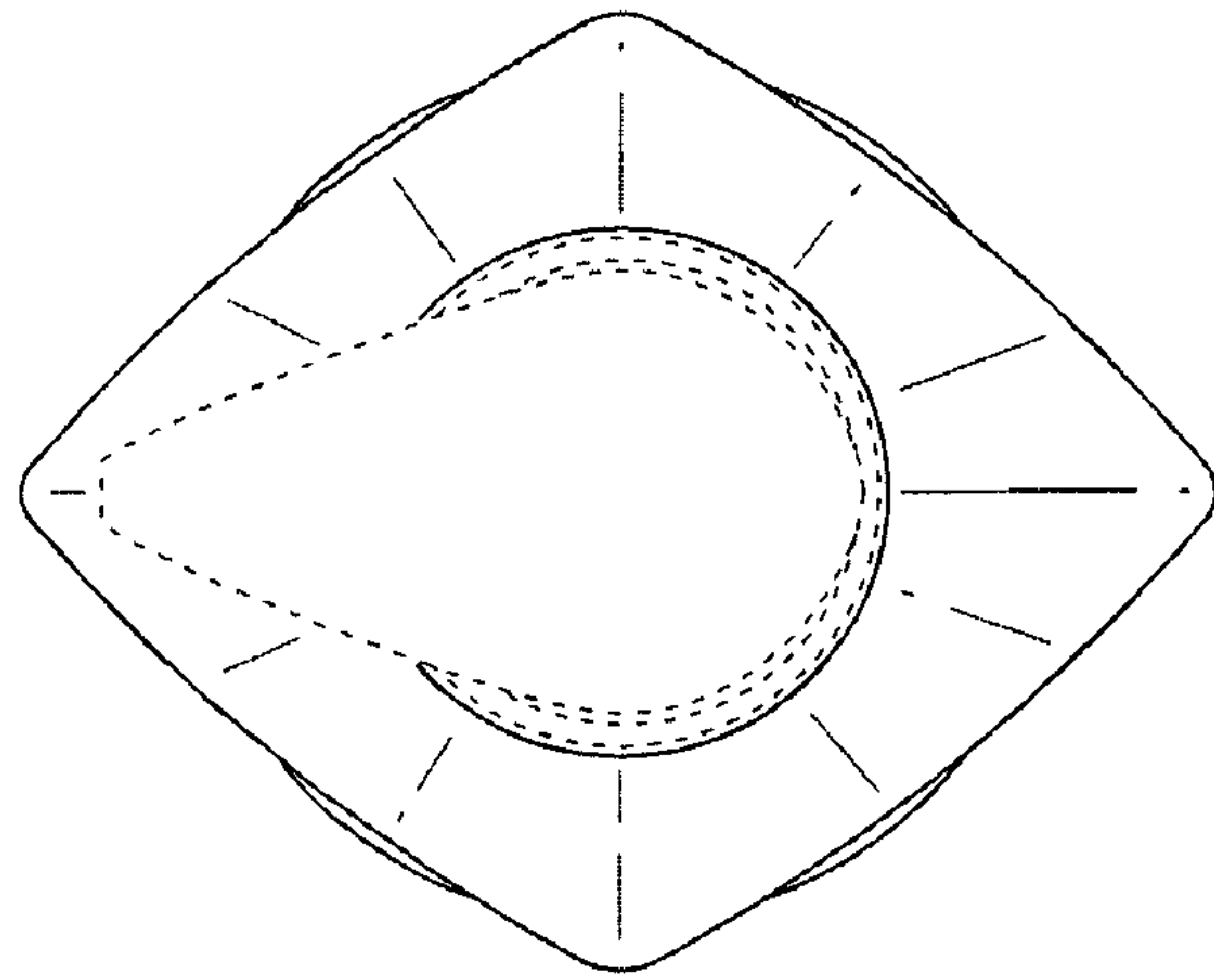


Fig. 29

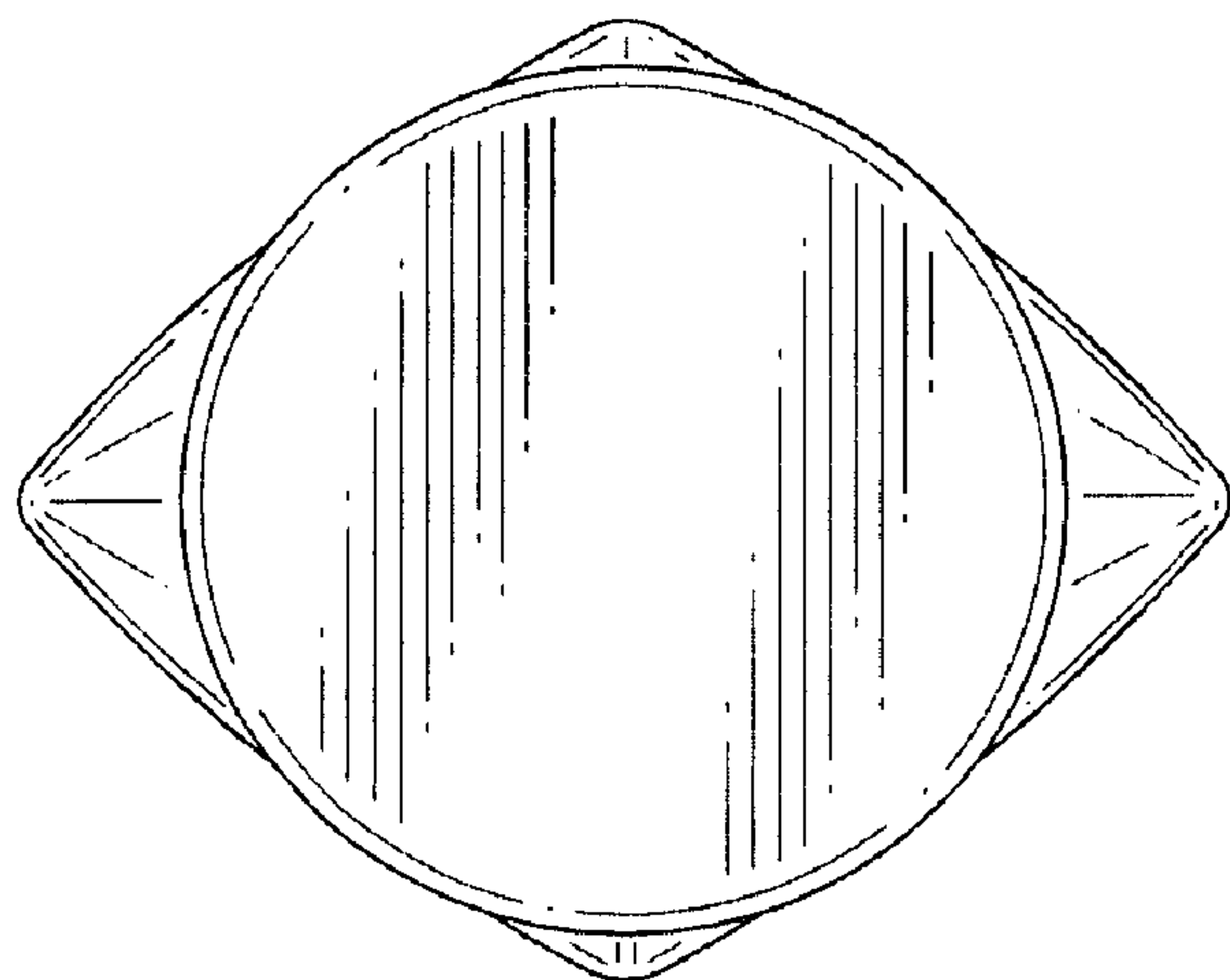


Fig. 30

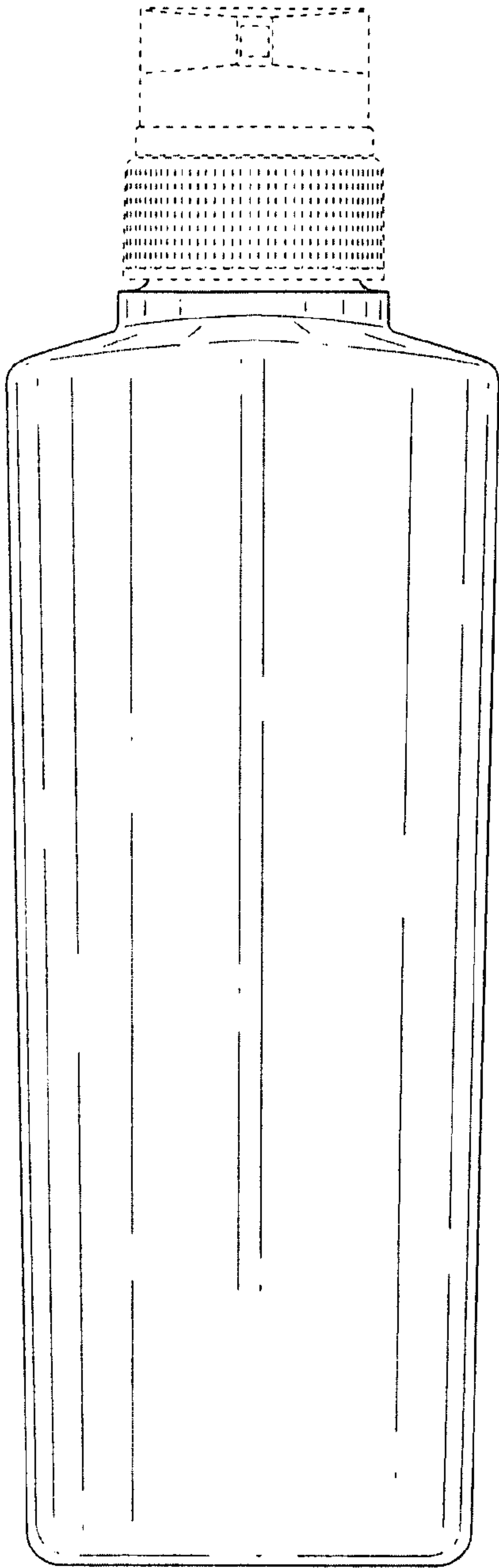


Fig. 31

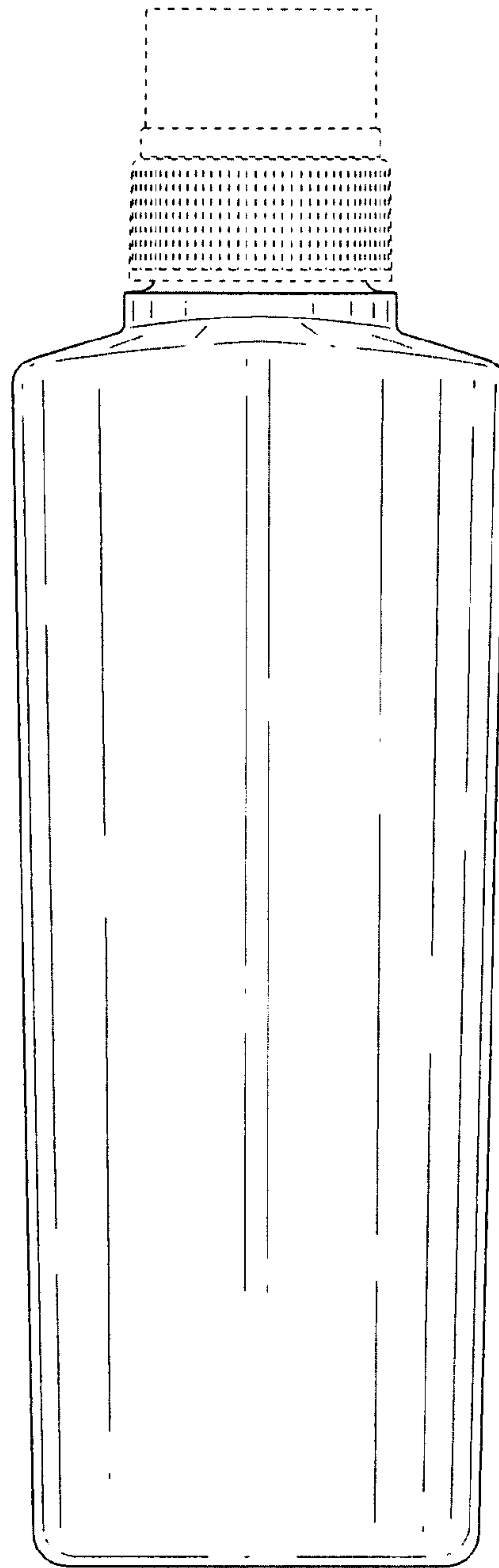


Fig. 32

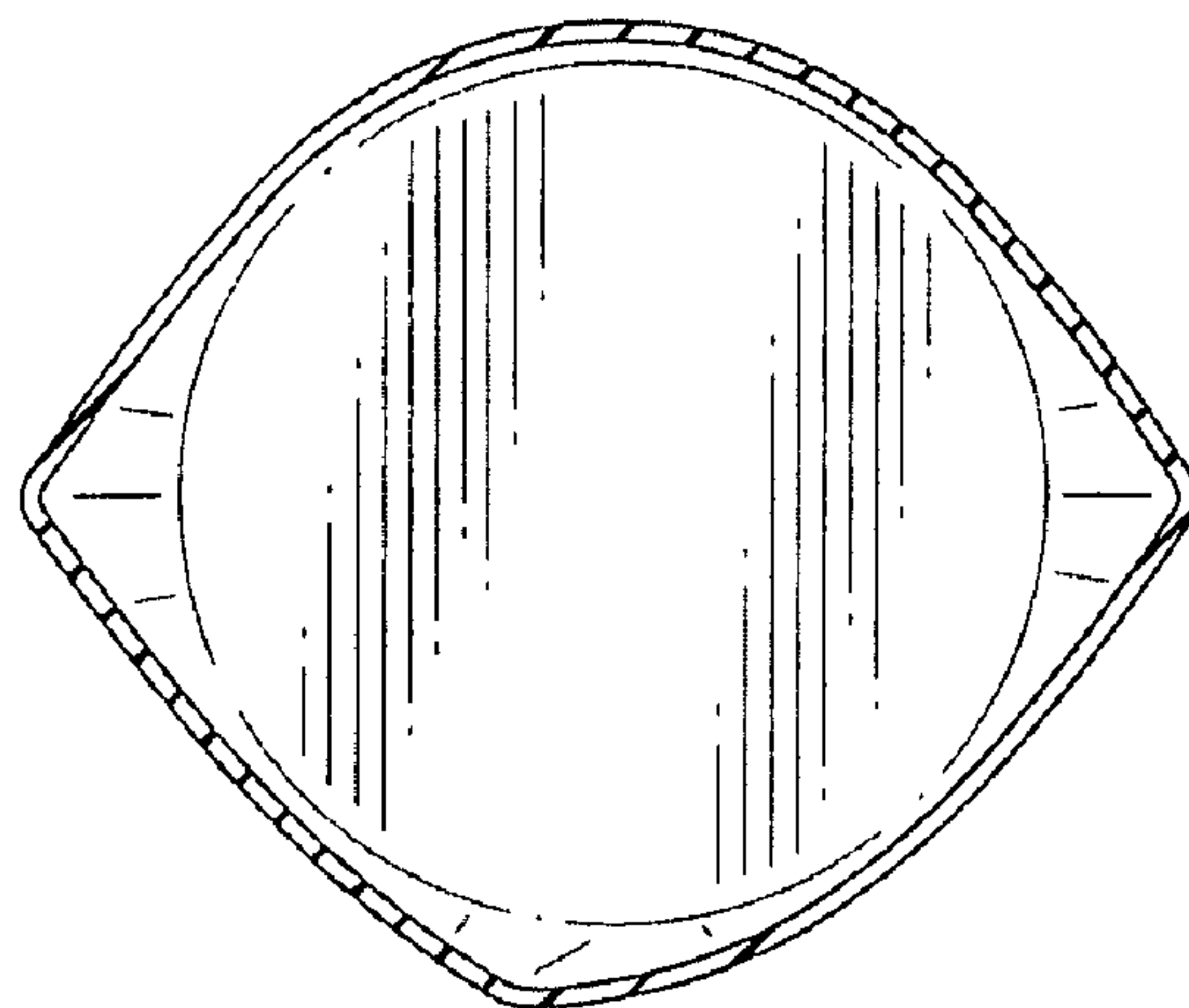


Fig. 33

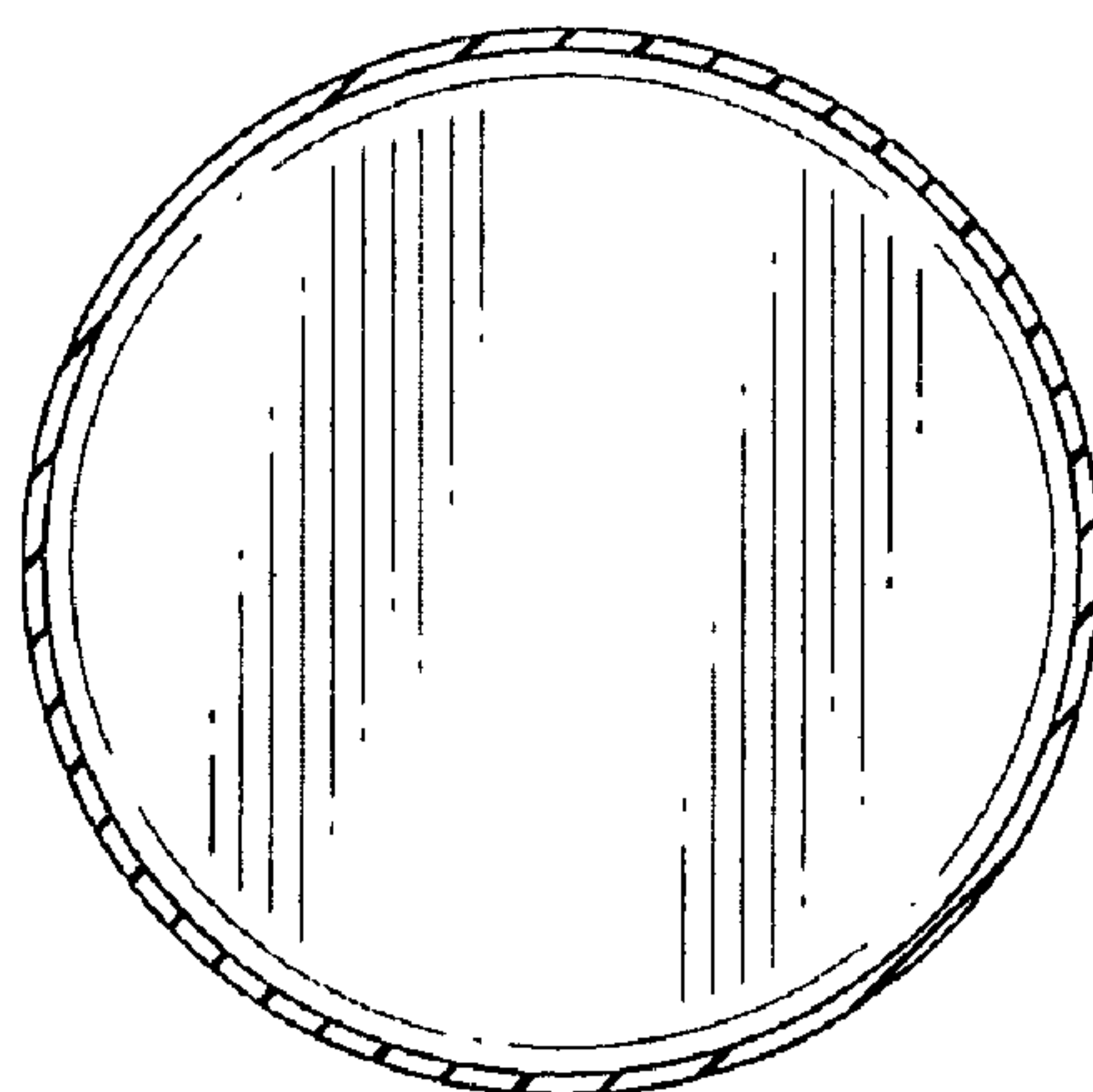


Fig. 34