



US00D563229S

(12) **United States Design Patent**
Dowel

(10) **Patent No.:** **US D563,229 S**

(45) **Date of Patent:** **** Mar. 4, 2008**

(54) **DISPENSING CONTAINER**

(75) Inventor: **Terence Dowel**, Clematis (AU)

(73) Assignee: **Trydel Research Pty. Ltd.**, Victoria (AU)

(**) Term: **14 Years**

(21) Appl. No.: **29/254,872**

(22) Filed: **Mar. 1, 2006**

(30) **Foreign Application Priority Data**

Sep. 1, 2005 (AU) 13754/2005

(51) **LOC (8) Cl.** **09-01**

(52) **U.S. Cl.** **D9/534; D9/524**

(58) **Field of Classification Search** D9/516,
D9/523, 524, 525, 526, 528, 531, 534; D27/148;
D23/205, 211, 211.1, 225; 222/402.14, 527;
220/200, 260; 215/14, 200, 217, 218, 223,
215/241, 379, 382-385, 396, 398

See application file for complete search history.

(56) **References Cited**

U.S. PATENT DOCUMENTS

D243,530 S * 3/1977 Bodine et al. D23/205
D288,586 S * 3/1987 Moskalik D23/225
4,928,859 A * 5/1990 Krahn et al. 222/402.14
D431,279 S * 9/2000 Spriegel D23/225

D451,029 S * 11/2001 Hoffmann D9/524
D529,577 S * 10/2006 McGiveron D23/225
D530,854 S * 10/2006 Xu D27/148
D540,423 S * 4/2007 Burks et al. D23/211.1
2004/0084485 A1 * 5/2004 Carlton 222/527

* cited by examiner

Primary Examiner—Mitchell Siegel

Assistant Examiner—Shanda C. Hill

(74) *Attorney, Agent, or Firm*—Meyertons, Hood, Kivlin,
Kowert & Goetzel, P.C.; Eric B. Meyertons

(57) **CLAIM**

The ornamental design for the dispensing container, as shown and described.

DESCRIPTION

FIG. 1 is a front perspective view of a dispensing container showing my new design;

FIG. 2 is a back perspective view of a dispensing container;

FIG. 3 is a front view of the dispensing container.

FIG. 4 is a back view of the dispensing container.

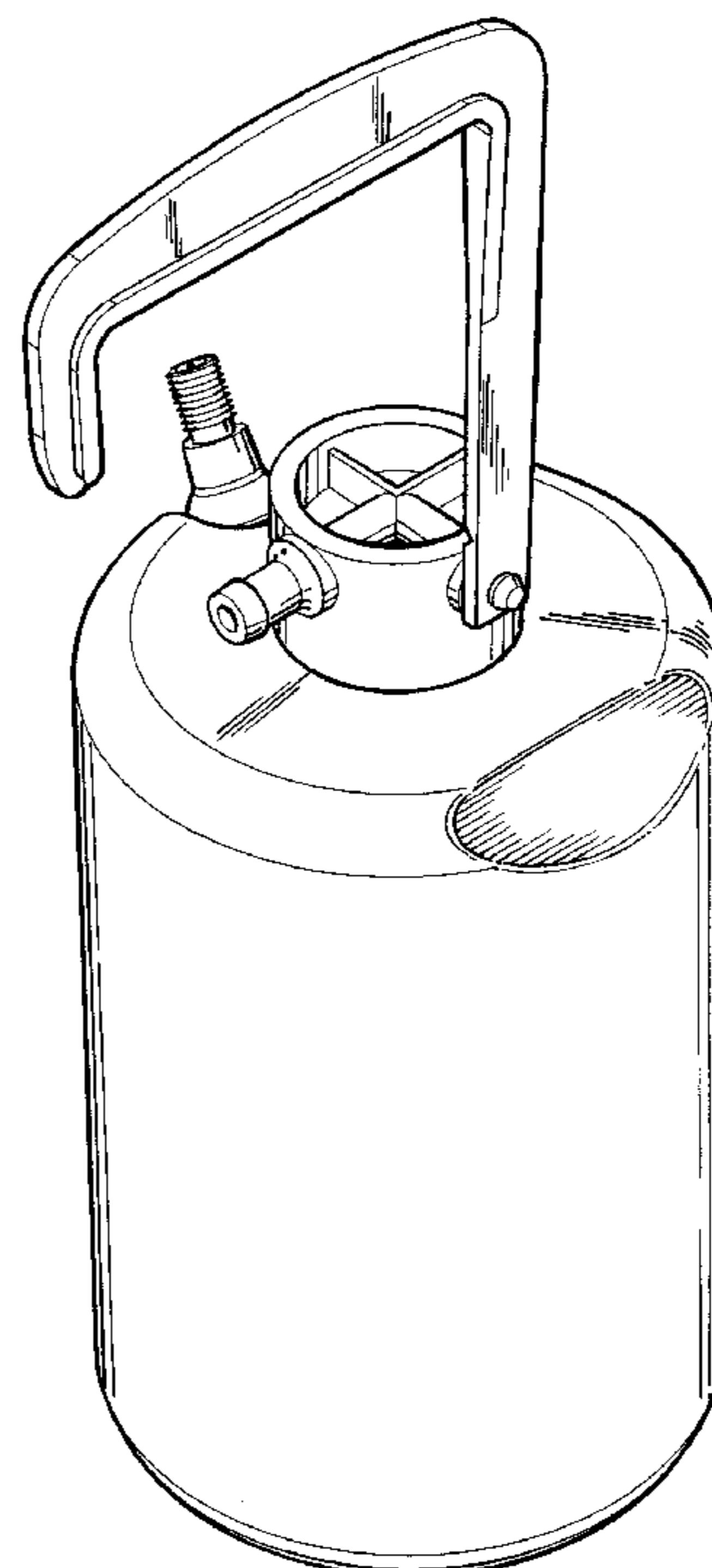
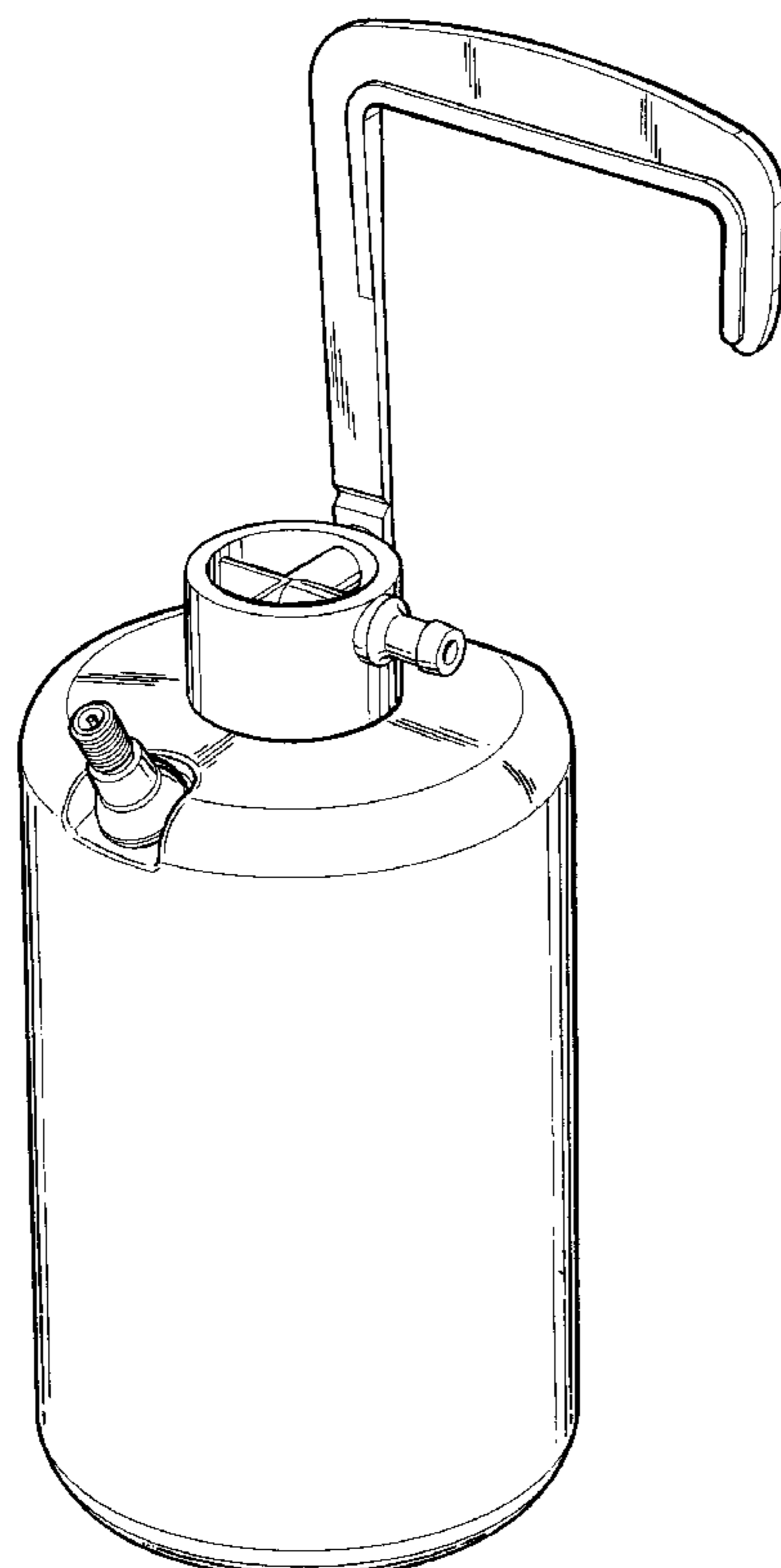
FIG. 5. is a right side view of the dispensing container.

FIG. 6. is a left side view of the dispensing container.

FIG. 7. is a top view of the dispensing container; and,

FIG. 8 is a bottom view of the dispensing container.

1 Claim, 3 Drawing Sheets



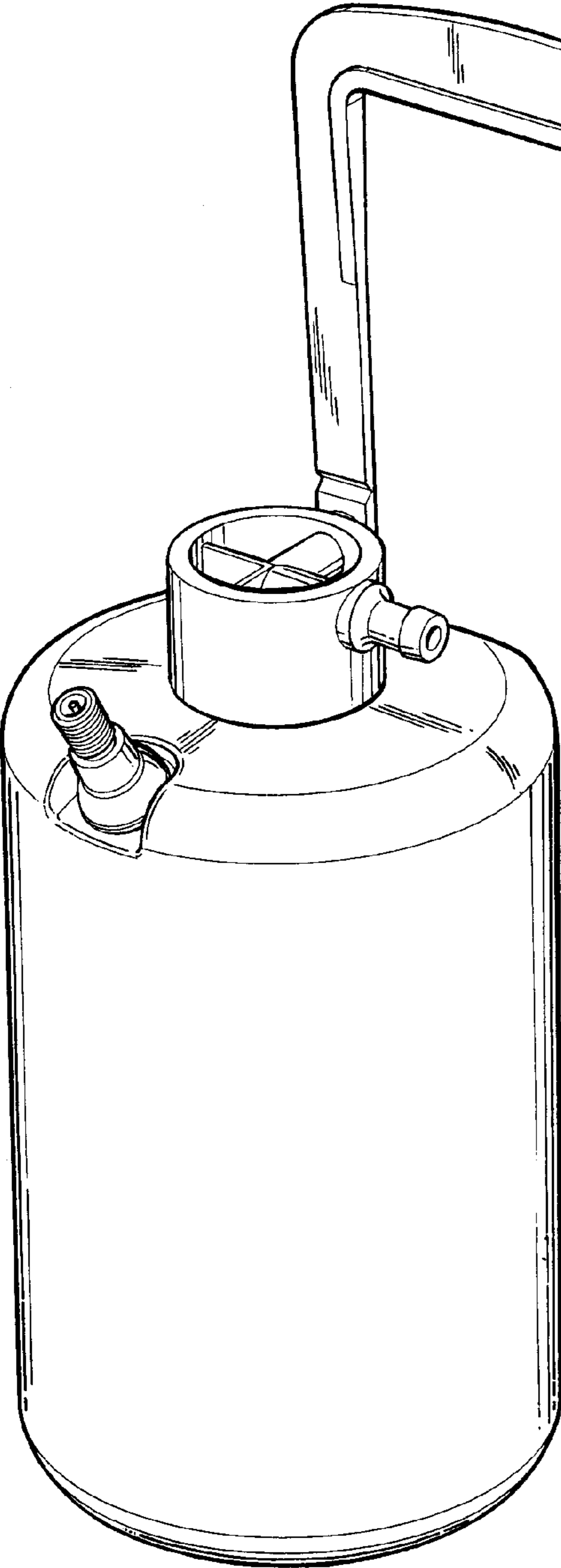


Fig. 1

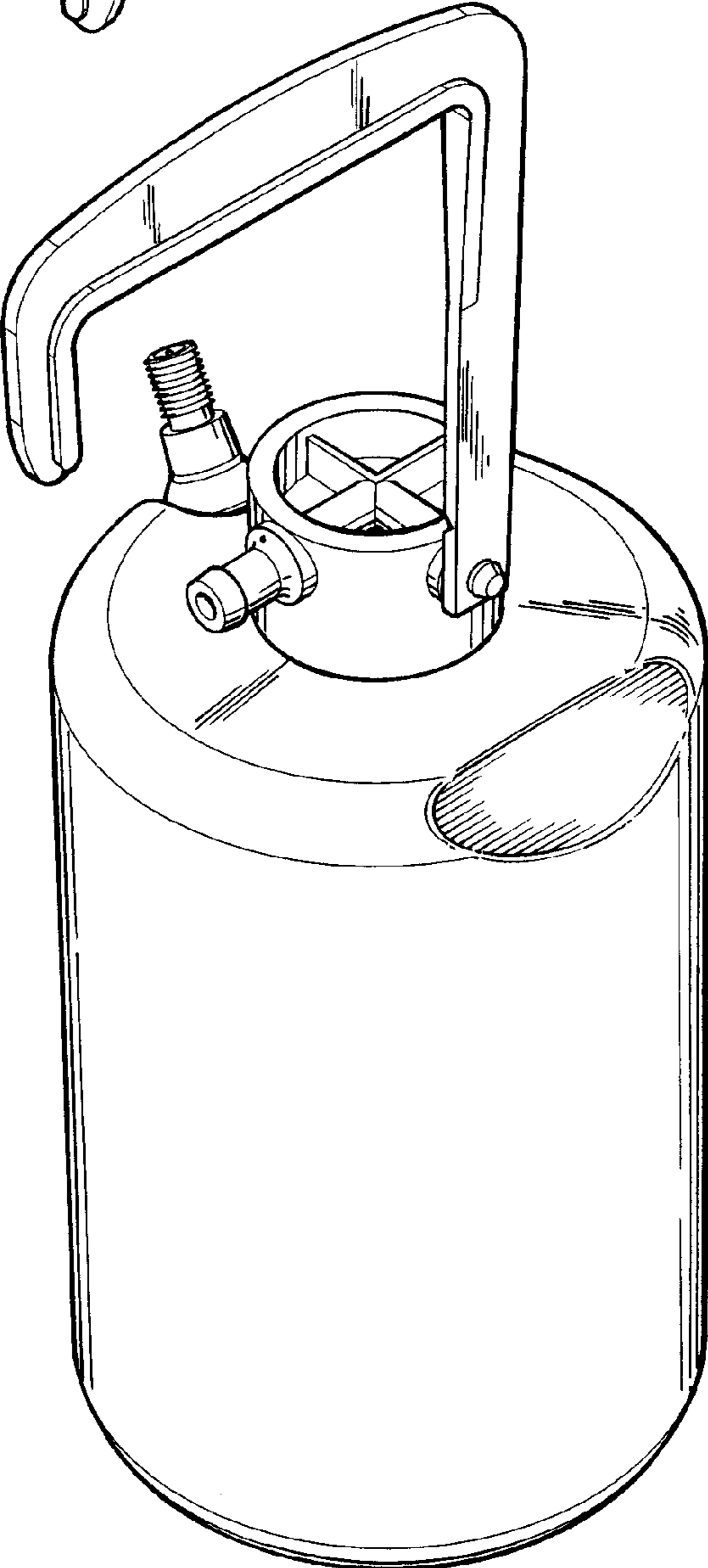


Fig. 2

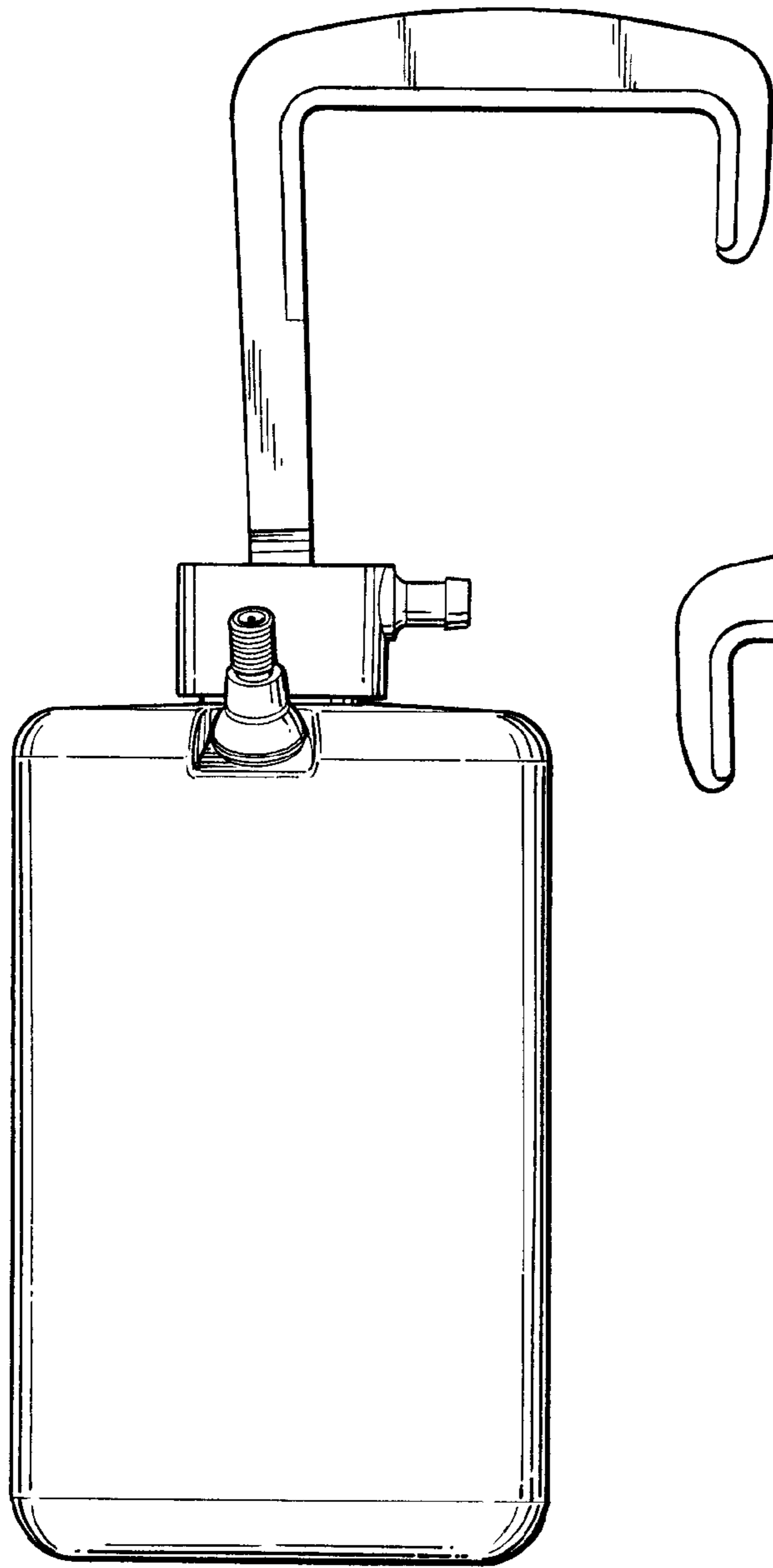


Fig. 3

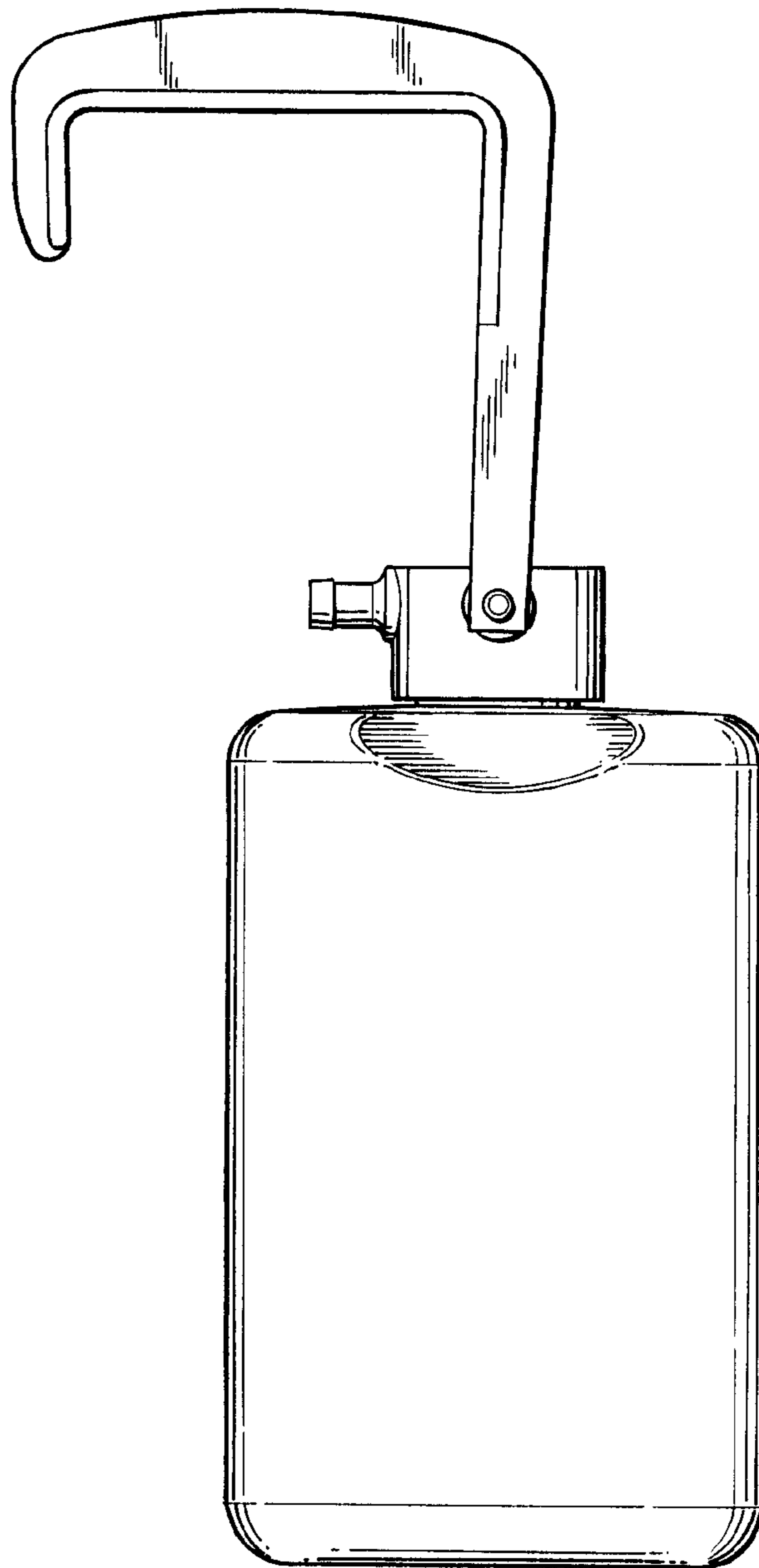


Fig. 4

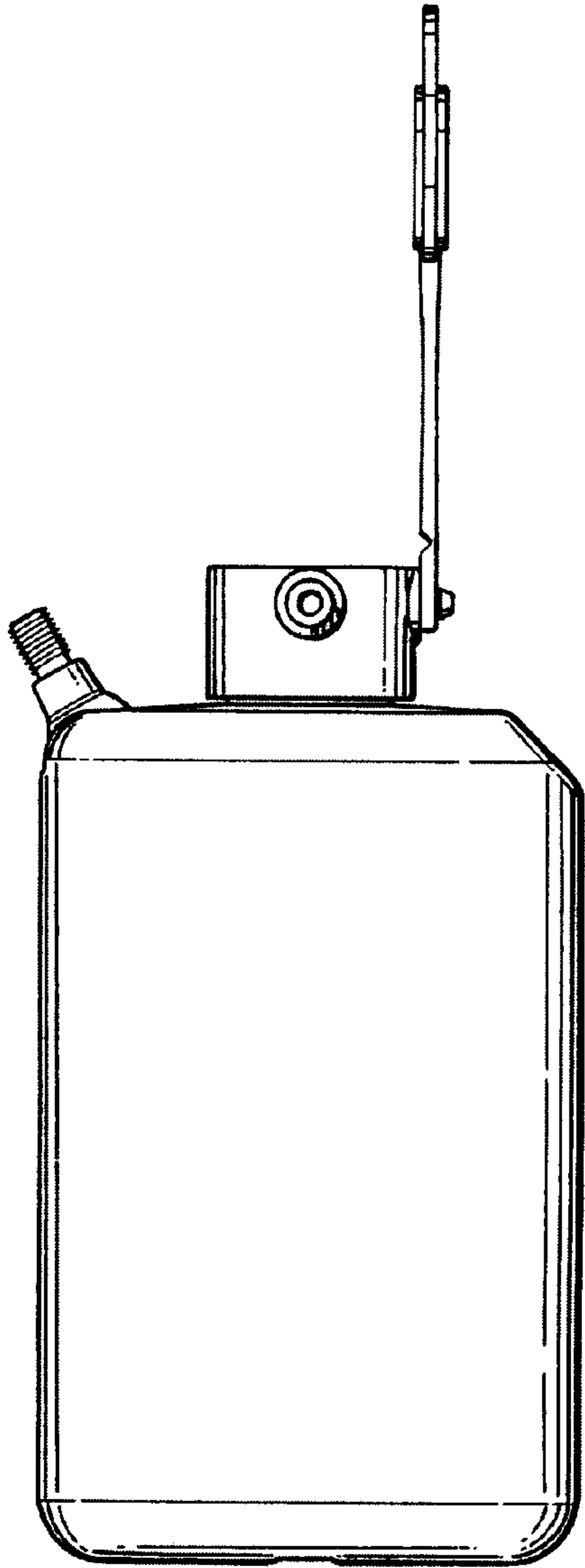


Fig. 5

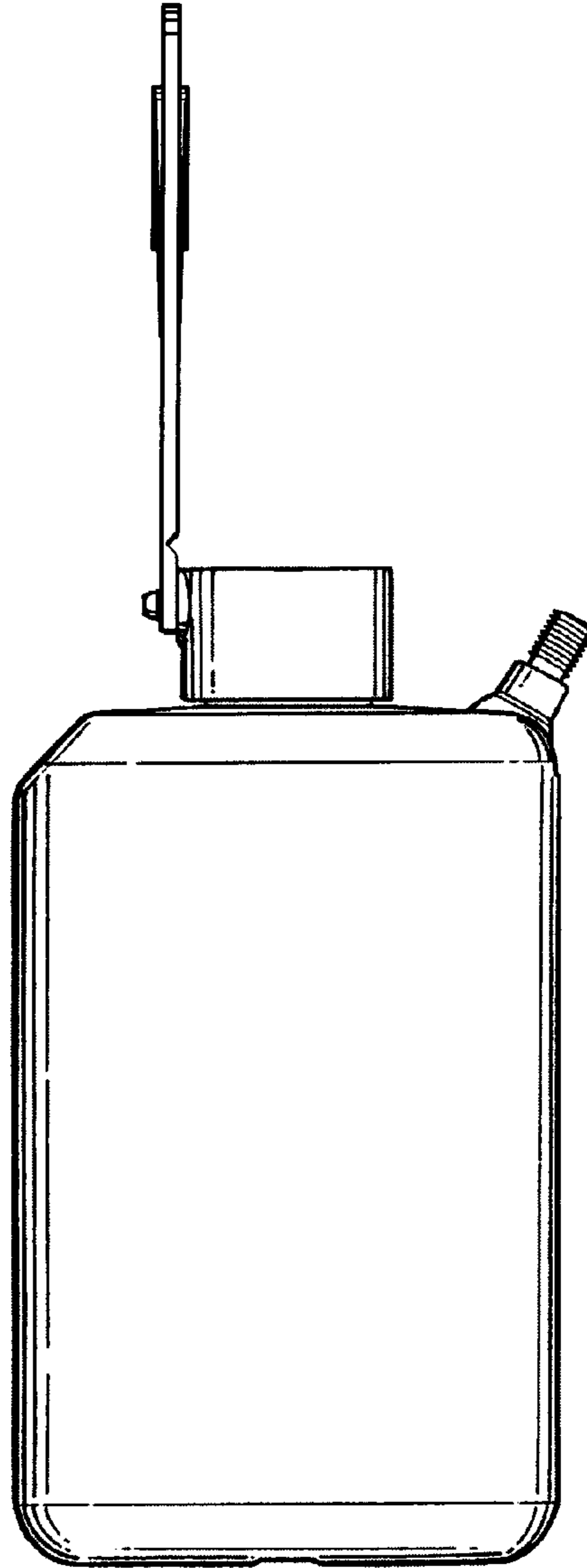


Fig. 6

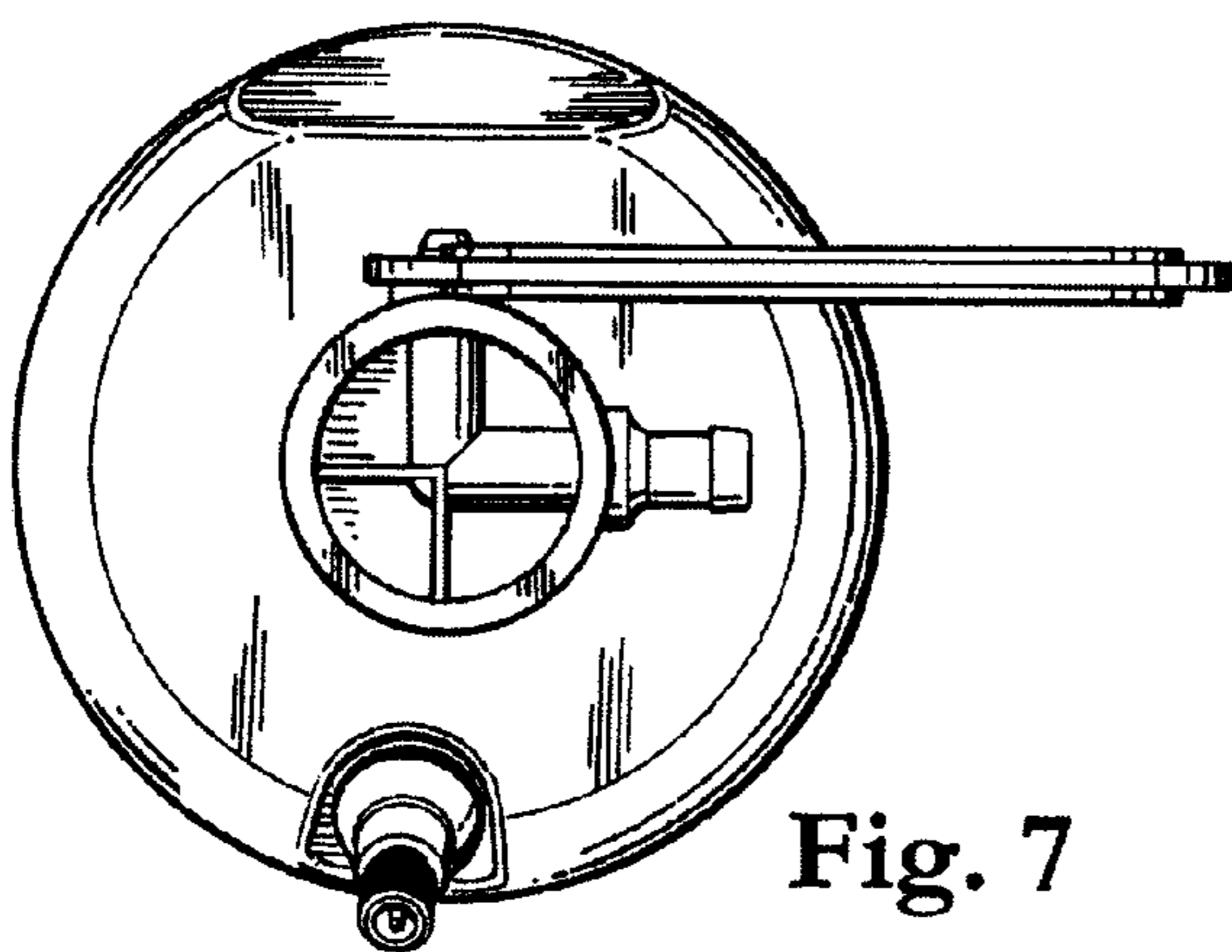


Fig. 7

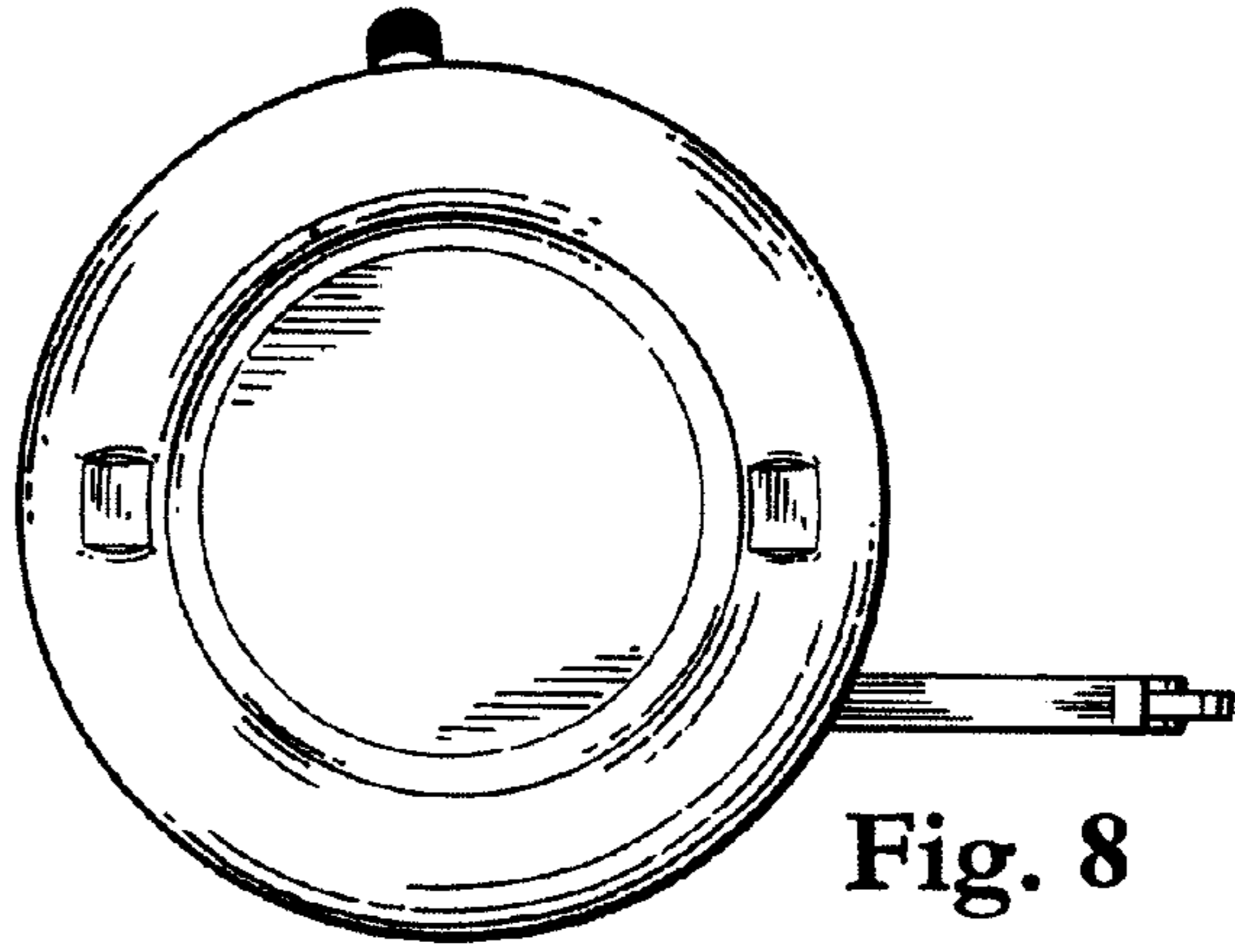


Fig. 8