

US00D563228S

(12) **United States Design Patent**
Nottingham et al.

(10) **Patent No.:** **US D563,228 S**
(45) **Date of Patent:** **** Mar. 4, 2008**

(54) **CONTAINER FOR COATING MATERIALS**

(75) Inventors: **John R. Nottingham**, Bratenahl, OH (US); **John Spirk**, Gates Mills, OH (US); **Dale A. Panasewicz**, Strongsville, OH (US); **Nick E. Stanca**, Westlake, OH (US); **Robert Iredell, IV**, Cleveland Heights, OH (US); **Dennis M. Futo**, Strongsville, OH (US)

(73) Assignee: **The Sherwin-Williams Company**, Cleveland, OH (US)

(**) Term: **14 Years**

(21) Appl. No.: **29/208,248**

(22) Filed: **Jun. 25, 2004**

Related U.S. Application Data

(60) Division of application No. 29/192,099, filed on Oct. 17, 2003, now Pat. No. Des. 500,953, which is a division of application No. 29/161,550, filed on May 31, 2002, now Pat. No. Des. 480,973, which is a continuation-in-part of application No. 10/126,481, filed on Apr. 18, 2002, now Pat. No. 6,983,862, and a continuation-in-part of application No. 29/146,686, filed on Aug. 14, 2001, now Pat. No. Des. 482,973.

(51) **LOC (8) Cl.** **09-01**

(52) **U.S. Cl.** **D9/531; D9/560; D9/575**

(58) **Field of Classification Search** D9/416, D9/454, 520, 523-524, 527-528, 530, 532, D9/560, 563-566, 571, 574-575; D3/276, D3/282; D7/603, 608; D32/53-53.1; D34/39; 156/94, 250, 264; 220/4.27, 23.4, 23.83, 220/561, 761, 766, 770

See application file for complete search history.

(56) **References Cited**

U.S. PATENT DOCUMENTS

D34,895 S 8/1901 McFaddin
1,599,967 A 9/1926 Johnson
1,611,443 A 12/1926 Hothersall

D89,681 S 4/1933 Crimmel
2,120,487 A 6/1938 Connor
2,194,486 A 3/1940 Straub
2,324,338 A 7/1943 Tripp
D138,004 S 5/1944 Sharp
2,520,549 A 8/1950 Jacobsen
2,659,519 A 11/1953 Allen
2,660,333 A 11/1953 Paxton
2,707,574 A 5/1955 Klebenow
2,743,844 A 5/1956 Livingstone
2,763,402 A 9/1956 Livingstone
2,817,465 A 12/1957 Gray
D182,779 S 5/1958 Tupper

(Continued)

FOREIGN PATENT DOCUMENTS

CA 800836 12/1968

(Continued)

Primary Examiner—Carol Rademaker

(74) *Attorney, Agent, or Firm*—Eryn Ace Fuhrer; Robert E. McDonald; Calfee, Halter & Griswold, LLP

(57) **CLAIM**

The ornamental design for a container for coating materials, as shown and described.

DESCRIPTION

FIG. 1 is a top, front, and right side perspective view of a container for coating materials embodying our design;

FIG. 2 is a front elevational view thereof;

FIG. 3 is a bottom plan view thereof;

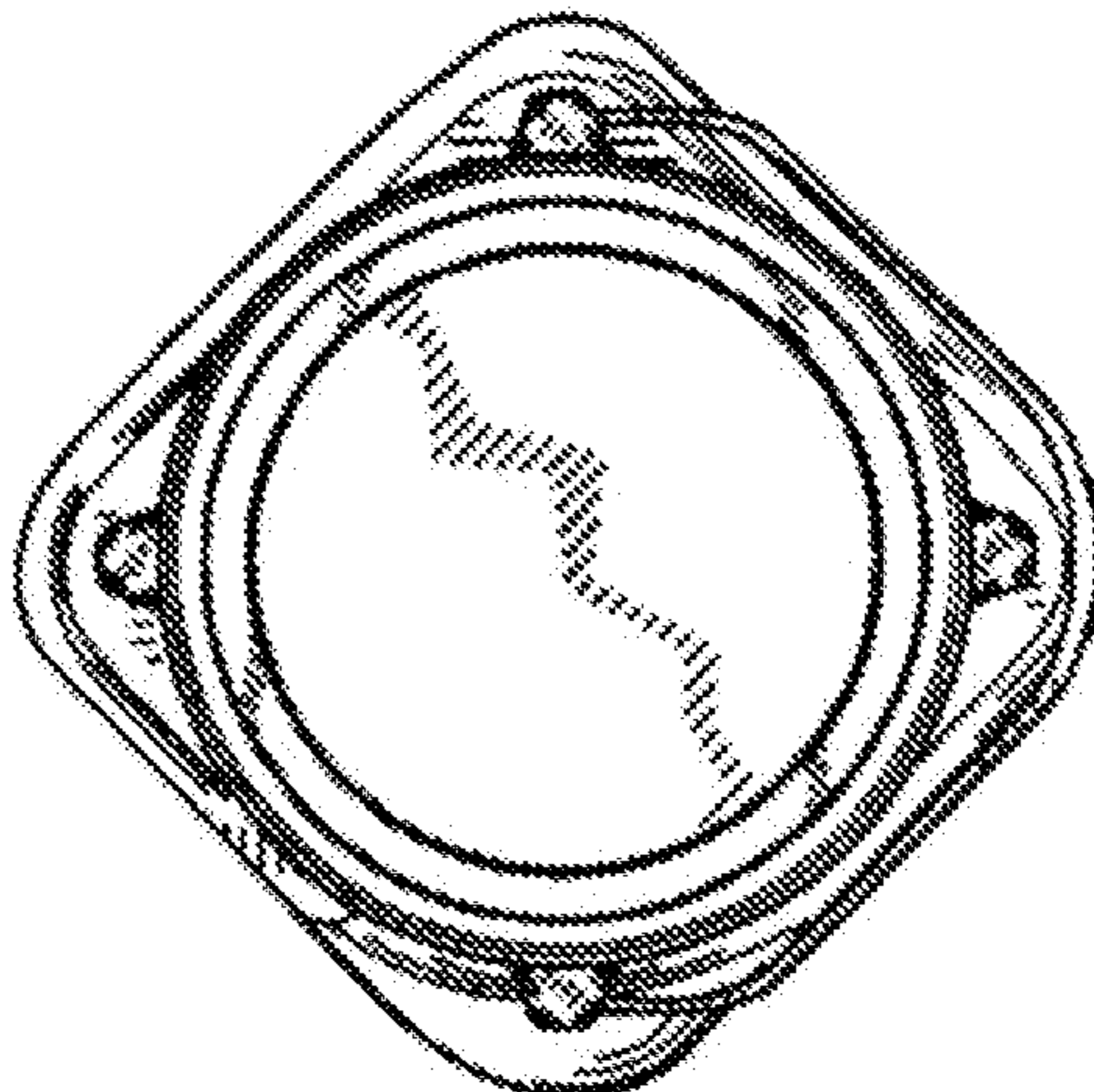
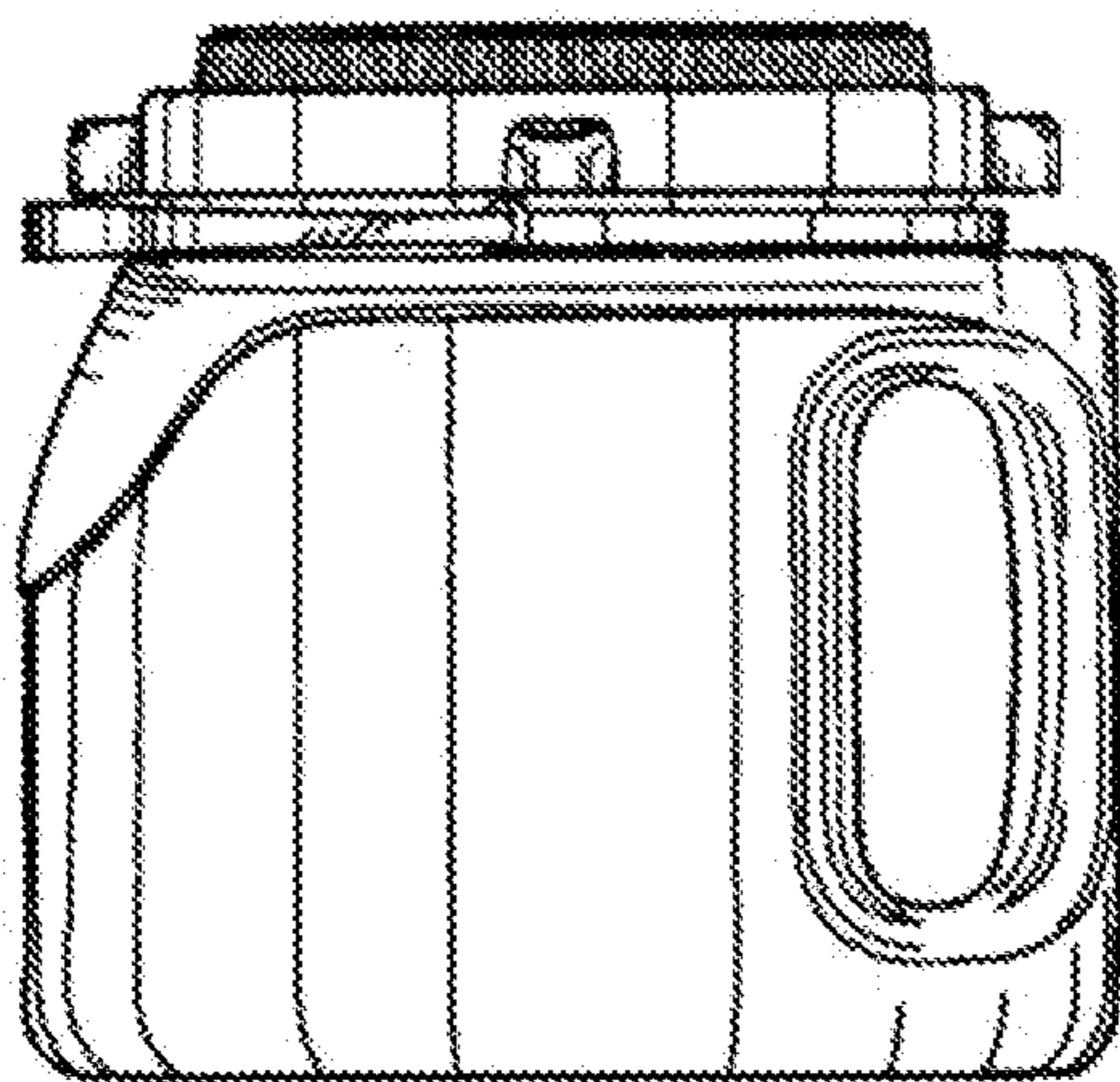
FIG. 4 is a top plan view thereof;

FIG. 5 is a left side elevational view thereof; and,

FIG. 6 is a right side elevational view thereof.

The broken lines shown in FIG. 3 are for environmental purposes only and form no part of the claimed design.

1 Claim, 1 Drawing Sheet



US D563,228 S

Page 2

U.S. PATENT DOCUMENTS					
			4,298,145 A	11/1981	Iida
2,840,124 A	6/1958	Greene	4,312,459 A	1/1982	Leach
2,851,196 A	9/1958	Livingstone	D265,176 S	6/1982	Bock
3,000,527 A	9/1961	Jennings et al.	D265,797 S	8/1982	Platte
D192,886 S	5/1962	Kaplan	4,380,304 A	4/1983	Anderson
D193,446 S	8/1962	Houghton	4,386,701 A	6/1983	Galer
D198,287 S	5/1964	Hulterstrum	4,387,828 A	6/1983	Yates, Jr.
D201,157 S	5/1965	Harlow	4,387,922 A	6/1983	Geisinger
D204,171 S	3/1966	Szajna	D269,948 S	8/1983	Janssen
D206,407 S	12/1966	Sharp	4,399,926 A	8/1983	Eidels-Dubovy
3,310,088 A	3/1967	Hildebrandt et al.	4,412,633 A	11/1983	Guerrazzi et al.
D207,466 S	4/1967	Phillips	4,431,326 A	2/1984	Braithwaite
3,313,438 A	4/1967	Piker	4,453,647 A	6/1984	Neat
D209,018 S	10/1967	Holtz	4,457,458 A	7/1984	Heinol
3,358,877 A	12/1967	Eckhoff	4,458,819 A	7/1984	Geiger
3,366,290 A	1/1968	Mojonnier et al.	4,463,867 A	8/1984	Nagel
3,387,749 A	6/1968	Godshalk et al.	4,474,303 A	10/1984	Maccise
3,388,841 A	6/1968	McHardy	D276,890 S	12/1984	Hancher
D211,928 S	8/1968	Burnett	D277,363 S	1/1985	Drummond, Jr. et al.
3,434,635 A	3/1969	Mason, Jr.	4,491,234 A	1/1985	Wilcock
D214,360 S	6/1969	Huber	4,494,674 A	1/1985	Roof
3,473,685 A	10/1969	Harlan	4,520,936 A	6/1985	Lyons
D217,231 S	4/1970	Pashman	D279,763 S	7/1985	Hestehave et al.
3,526,110 A	9/1970	Foote	4,530,442 A	7/1985	Vogel
3,533,503 A	10/1970	Wood et al.	4,541,529 A	9/1985	Hestehave et al.
3,593,880 A	7/1971	Kulbacki	4,548,332 A	10/1985	Neat
3,595,431 A	7/1971	Bird	4,549,977 A	10/1985	Joshi et al.
D221,515 S	8/1971	Betka	4,550,862 A	11/1985	Barker et al.
D221,518 S	8/1971	Weekman	D281,579 S	12/1985	Drummond, Jr. et al.
3,596,813 A	8/1971	Munn	4,575,074 A	3/1986	Damratoski
3,612,595 A	10/1971	Updegraff et al.	4,583,666 A	4/1986	Buck
3,620,410 A	11/1971	Griese, Jr.	4,616,759 A	10/1986	Mahler
3,625,386 A	12/1971	Schaefer	4,619,373 A	10/1986	Galer
3,659,758 A	5/1972	Waterman	4,640,855 A	2/1987	St. Clair
D224,200 S	7/1972	Kretz	D289,261 S	4/1987	Shadwell
3,695,488 A	10/1972	Olsson	D289,377 S	4/1987	Ashby et al.
3,727,792 A	4/1973	Levin	4,655,363 A	4/1987	Neat
D226,901 S	5/1973	Galer	4,664,295 A	5/1987	Iida
3,730,382 A	5/1973	Heisler	4,666,065 A	5/1987	Ohren
3,744,671 A	7/1973	Saunders, Jr.	4,669,617 A	6/1987	Boeckmann et al.
3,756,451 A	9/1973	Popeil	4,671,421 A	6/1987	Reiber et al.
3,807,679 A	4/1974	Burke et al.	4,696,416 A	9/1987	Muckenfuhs et al.
3,866,791 A	2/1975	Roper et al.	4,702,395 A	10/1987	Nitsch
3,889,732 A	6/1975	Wilkins	4,706,829 A	11/1987	Li
3,899,107 A	8/1975	Gaal	4,715,504 A	12/1987	Chang et al.
3,913,785 A	10/1975	Pattershall	4,717,034 A	1/1988	Mumford
3,927,797 A	12/1975	Flider	4,735,313 A	4/1988	Schoenberg
3,938,686 A	2/1976	Milligan et al.	4,736,874 A	4/1988	Durant
3,945,527 A	3/1976	Pylant	D296,421 S	6/1988	Rayner
4,014,465 A	3/1977	Ritter	D296,422 S	6/1988	Rayner
4,022,352 A	5/1977	Pehr	D296,873 S	7/1988	Dent et al.
D244,990 S	7/1977	Anderson	D296,987 S	8/1988	Rayner
D246,227 S	11/1977	Douglas	4,771,501 A	9/1988	Leiter
4,061,242 A	12/1977	Donlon	4,773,560 A	9/1988	Kittscher
4,078,700 A	3/1978	Hidding	4,804,119 A	2/1989	Goodall
D248,216 S	6/1978	Allen et al.	4,805,793 A	2/1989	Brandt et al.
4,128,189 A	12/1978	Baxter	4,830,234 A	5/1989	Odet
4,129,236 A	12/1978	Wrycraft et al.	4,860,927 A	8/1989	Grinde
D250,806 S	1/1979	Gutkowski	4,865,233 A	9/1989	Kain
D251,358 S	3/1979	Gutkowski	D304,014 S	10/1989	O'Connell
4,150,763 A	4/1979	Simpson	D305,407 S	1/1990	Gonda
4,171,063 A	10/1979	Cloutier	4,890,768 A	1/1990	Robinson
4,193,699 A	3/1980	Haygeman et al.	4,890,770 A	1/1990	Haga et al.
4,203,537 A	5/1980	McAlister	4,892,126 A	1/1990	Bucheler et al.
4,225,064 A	9/1980	Westcott	4,893,723 A	1/1990	Seabolt
4,228,916 A	10/1980	Weingardt	4,893,724 A	1/1990	Schiemann
4,240,568 A	12/1980	Pool	4,893,732 A	1/1990	Jennings
4,245,753 A	1/1981	Ellis	D305,980 S	2/1990	Binder et al.
4,245,754 A	1/1981	Ellis	4,898,304 A	2/1990	Bacon, Jr.
D258,563 S	3/1981	Romagnoli	4,899,885 A	2/1990	Van Koert
4,281,770 A	8/1981	Rainville	4,911,319 A	3/1990	DeJean
D261,362 S	10/1981	Epperson	4,917,268 A	4/1990	Campbell et al.
			D308,148 S	5/1990	Meyer

US D563,228 S

Page 3

4,926,390 A	5/1990	Murzsa	5,462,202 A	10/1995	Haffner et al.
4,927,046 A	5/1990	Armstrong	5,492,240 A	2/1996	Vilutis
4,928,860 A	5/1990	Knight	D367,612 S	3/1996	Shaw et al.
D308,336 S	6/1990	Delbanco	5,509,579 A	4/1996	Robbins, III
4,941,815 A	7/1990	Julian	D370,153 S	5/1996	Chaney et al.
4,949,884 A	8/1990	Dahl	5,517,837 A	5/1996	Wang
D311,681 S	10/1990	Aggarwal	D370,850 S	6/1996	Beaver
D312,157 S	11/1990	Sjolander	D371,485 S	7/1996	Hickey
4,969,617 A	11/1990	Desjardins	D372,197 S	7/1996	Gough
4,974,749 A	12/1990	Mon	D374,178 S	10/1996	Valls et al.
D313,350 S	1/1991	Beaver	5,566,861 A	10/1996	Serano
D313,461 S	1/1991	Hart et al.	5,566,862 A	10/1996	Haffner et al.
4,981,239 A	1/1991	Cappel et al.	5,577,626 A	11/1996	Henkel et al.
4,982,858 A	1/1991	Von Holdt	D376,761 S	12/1996	Lathrop et al.
4,984,714 A	1/1991	Sledge	5,586,805 A	12/1996	Rinehart
4,993,605 A	2/1991	Del'Re	5,597,090 A	1/1997	Leahy
D315,298 S	3/1991	Marucci	5,603,787 A	2/1997	Reid
D315,503 S	3/1991	Hart et al.	D378,494 S	3/1997	Miller
5,020,692 A	6/1991	Darr	D379,302 S	5/1997	Rodman
D318,228 S	7/1991	Schlesselman	5,626,258 A	5/1997	Maiorino
5,027,973 A	7/1991	Drogos	5,626,319 A	5/1997	Fusillo
D320,345 S	10/1991	Hamly et al.	D380,682 S	7/1997	Robinson
D320,741 S	10/1991	Willis	5,669,526 A	9/1997	Keyfauber
D321,132 S	10/1991	Wiseman et al.	5,678,684 A	10/1997	Wright
5,054,661 A	10/1991	Hollje	5,699,925 A	12/1997	Petruzzi
5,058,772 A	10/1991	Moore et al.	D388,708 S	1/1998	Monaghan
D321,624 S	11/1991	Fiore et al.	D389,067 S	1/1998	Lown
5,064,101 A	11/1991	Richter et al.	5,704,502 A	1/1998	Greenfield
5,071,037 A	12/1991	Moore et al.	D392,188 S	3/1998	Darr et al.
D323,115 S	1/1992	Kelsey	5,743,425 A	4/1998	Ellis
5,092,474 A	3/1992	Leigner	D395,825 S	7/1998	Freitas
5,105,858 A	4/1992	Levinson	5,775,483 A	7/1998	Lown et al.
5,108,009 A	4/1992	Davidson et al.	5,787,839 A	8/1998	Magnant et al.
5,114,659 A	5/1992	Krall	5,794,803 A	8/1998	Sprick
D327,648 S	7/1992	Cane	RE35,933 E	10/1998	Scholl
5,131,566 A	7/1992	Bavegems	5,823,345 A	10/1998	Nask et al.
D329,597 S	9/1992	Gallagher et al.	D401,154 S	11/1998	Robinson
5,160,067 A	11/1992	Luber	D401,246 S	11/1998	Langeveld et al.
D332,747 S	1/1993	Darr et al.	D401,704 S	11/1998	Clark
5,181,630 A	1/1993	McNally	D402,562 S	12/1998	Anderson et al.
5,188,249 A	2/1993	Cargile	D403,243 S	12/1998	Takeuchi et al.
5,207,356 A	5/1993	Krall	5,850,953 A	12/1998	Dallas, Jr.
D336,434 S	6/1993	Binder	D403,578 S	1/1999	Paul et al.
D338,407 S	8/1993	Lynd	D403,821 S	1/1999	Kerridge
5,234,130 A	8/1993	Benioff et al.	5,855,299 A	1/1999	Arnold et al.
5,267,675 A	12/1993	Cane	5,855,304 A	1/1999	Dean et al.
5,269,438 A	12/1993	Kelsey	5,860,559 A	1/1999	Wang
5,269,977 A	12/1993	Nakahashi et al.	5,868,283 A	2/1999	Wilson et al.
D342,989 S	1/1994	Cane	5,868,323 A	2/1999	Cantor
5,299,710 A	4/1994	Welsch et al.	5,875,942 A	3/1999	Ohmi et al.
5,303,839 A	4/1994	Blumenschein	5,893,489 A	4/1999	Giarrante
D347,173 S	5/1994	Bogstad et al.	5,896,993 A	4/1999	Nask et al.
5,322,662 A	6/1994	Benioff et al.	5,908,136 A	6/1999	Mrak
D349,651 S	8/1994	Saffer	5,924,593 A	7/1999	Rutledge, Jr. et al.
5,346,106 A	9/1994	Ring	5,941,404 A	8/1999	Charrette
D351,792 S	10/1994	Morris, Sr.	5,941,422 A	8/1999	Struble
5,358,148 A	10/1994	Hanifl et al.	5,941,427 A	8/1999	Speer
D352,459 S	11/1994	Pollacco	D415,027 S	10/1999	Blazar
D352,659 S	11/1994	Nilsson et al.	5,964,383 A	10/1999	Cargile
5,366,101 A	11/1994	Krall et al.	5,967,378 A	10/1999	Arispe
D353,541 S	12/1994	Rogler et al.	5,971,201 A	10/1999	Daw
D354,225 S	1/1995	Norton et al.	5,975,346 A	11/1999	Imperato et al.
5,377,858 A	1/1995	Morris, Sr.	D417,621 S	12/1999	Hofmeister et al.
D355,366 S	2/1995	Bainton	D417,849 S	12/1999	Beaver
5,390,805 A	2/1995	Bilani et al.	6,029,858 A	2/2000	Srokose et al.
5,392,968 A	2/1995	Dark	6,029,864 A	2/2000	Nilsson et al.
5,401,200 A	3/1995	Ellis	D422,920 S	4/2000	Tapp et al.
D358,333 S	5/1995	Stockwell et al.	6,053,650 A	4/2000	Bennett et al.
5,431,306 A	7/1995	Reid	6,059,153 A	5/2000	Olson et al.
D360,830 S	8/1995	Hestehave et al.	6,068,161 A	5/2000	Soehnlén et al.
5,445,195 A	8/1995	Kim	D426,164 S	6/2000	Gans et al.
D362,180 S	9/1995	Haines	D426,925 S	6/2000	Axhamre
D362,625 S	9/1995	Braun	D427,912 S	7/2000	Johnson et al.

US D563,228 S

6,085,949 A	7/2000	Zimny et al.		D475,628 S *	6/2003	Walsh et al.	D9/530
D428,817 S	8/2000	Olson et al.		D480,973 S	10/2003	Nottingham et al.	
D429,646 S	8/2000	Goettner		6,634,525 B2	10/2003	Bravo et al.	
D430,021 S	8/2000	Goettner		D482,973 S	12/2003	Nottingham et al.	
D430,033 S	8/2000	Beaver		D482,974 S	12/2003	Nottingham et al.	
6,105,813 A	8/2000	Abbey		D482,975 S	12/2003	Nottingham et al.	
6,109,487 A	8/2000	Hashimoto		D495,603 S *	9/2004	Walsh et al.	D9/528 X
6,123,231 A	9/2000	Geisinger		D504,823 S *	5/2005	Nottingham et al.	D9/528
6,179,158 B1	1/2001	Koda		D506,393 S *	6/2005	Nottingham et al.	D9/528
6,209,762 B1	4/2001	Haffner et al.		D511,100 S *	11/2005	Nottingham et al.	D9/528
6,223,945 B1	5/2001	Giblin et al.		D511,101 S *	11/2005	Nottingham et al.	D9/531
6,247,600 B1	6/2001	Sullivan, Jr.		D516,918 S *	3/2006	Leslie et al.	D9/528
D445,028 S	7/2001	Grubstein		D541,662 S *	5/2007	Little et al.	D9/560 X
D445,687 S	7/2001	Gilbertson		D543,463 S *	5/2007	Young et al.	D9/520
D446,121 S	8/2001	Maddy		D544,799 S *	6/2007	Young et al.	D9/550 X
6,269,977 B1	8/2001	Moore		D548,603 S *	8/2007	Young et al.	D9/560 X
6,293,692 B1	9/2001	Bowsher et al.		D549,583 S *	8/2007	Gruskin et al.	D9/531
D448,671 S	10/2001	Gans et al.		D549,584 S *	8/2007	Gruskin et al.	D9/531
D448,675 S	10/2001	Thierjung		D549,585 S *	8/2007	Gruskin et al.	D9/531
D449,535 S	10/2001	Geisinger et al.		D550,091 S *	9/2007	Gruskin et al.	D9/531
D451,398 S *	12/2001	Manderfield et al.	D9/531	2001/0025865 A1	10/2001	Bravo et al.	
D454,070 S	3/2002	Crawford et al.		2002/0195471 A1	12/2002	Nottingham et al.	
D456,258 S	4/2002	Chin		2003/0034350 A1	2/2003	Renzello	
D458,844 S	6/2002	Shea		2003/0102339 A1	6/2003	Walsh et al.	
6,412,661 B1	7/2002	Hannah, Sr.		2003/0102340 A1	6/2003	Walsh et al.	
D461,717 S	8/2002	Crawford et al.		2003/0188986 A1	10/2003	Wylie	
D462,012 S	8/2002	Manderfield, Jr.		2004/0011831 A1 *	1/2004	McDonald et al.	222/567
D470,056 S	2/2003	Schlueter		2004/0026450 A1 *	2/2004	Rohr et al.	222/109
D471,110 S	3/2003	Booth et al.					
D471,458 S	3/2003	Booth et al.					
D472,145 S	3/2003	Nottingham et al.					
6,530,500 B2	3/2003	Bravo et al.					
D473,790 S	4/2003	Nottingham et al.					
D474,115 S *	5/2003	Walsh et al.	D9/532				

FOREIGN PATENT DOCUMENTS

EP 1243443 3/2002
 WO WO 02/076765 A1 10/2002

* cited by examiner

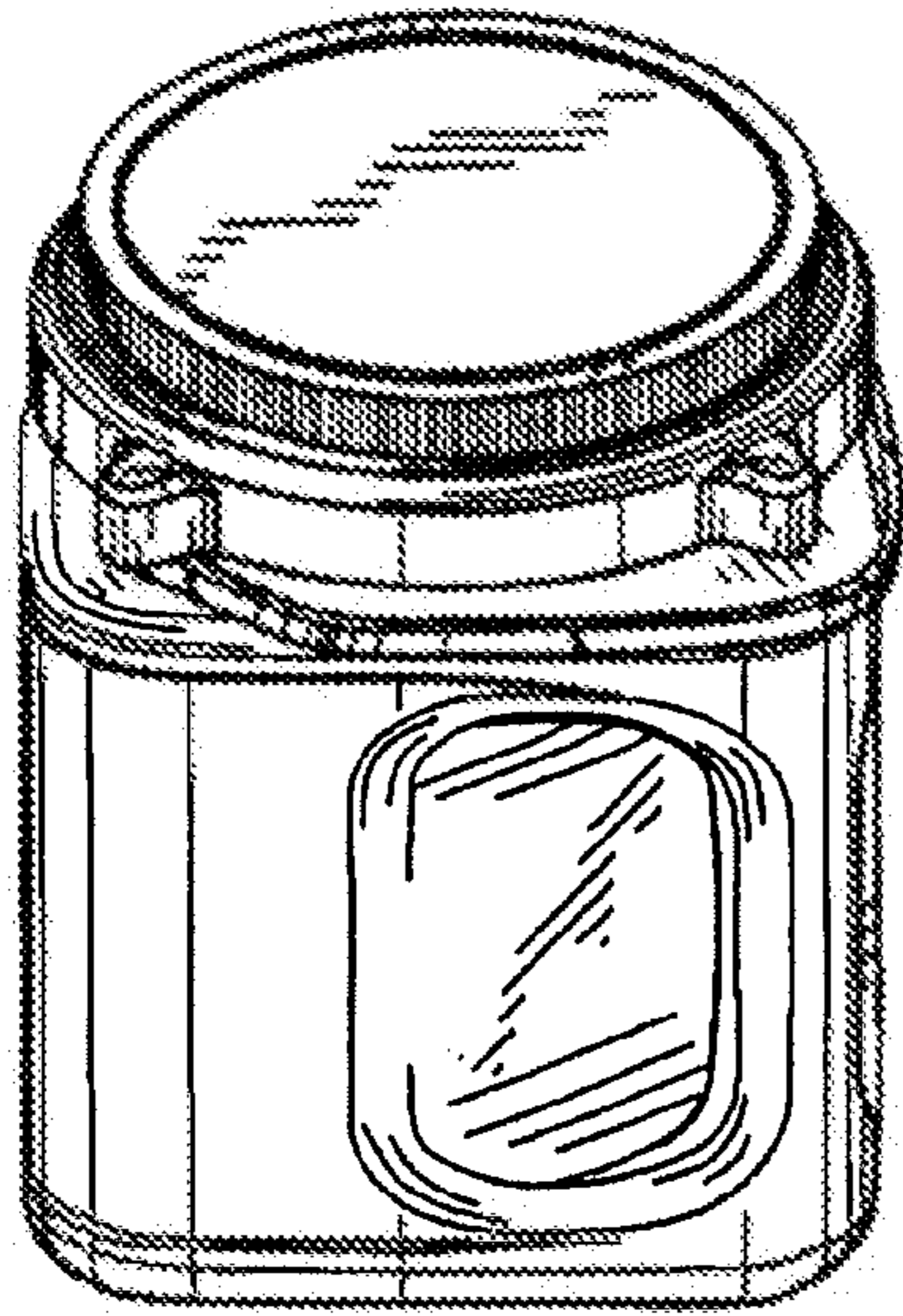


FIG. 1

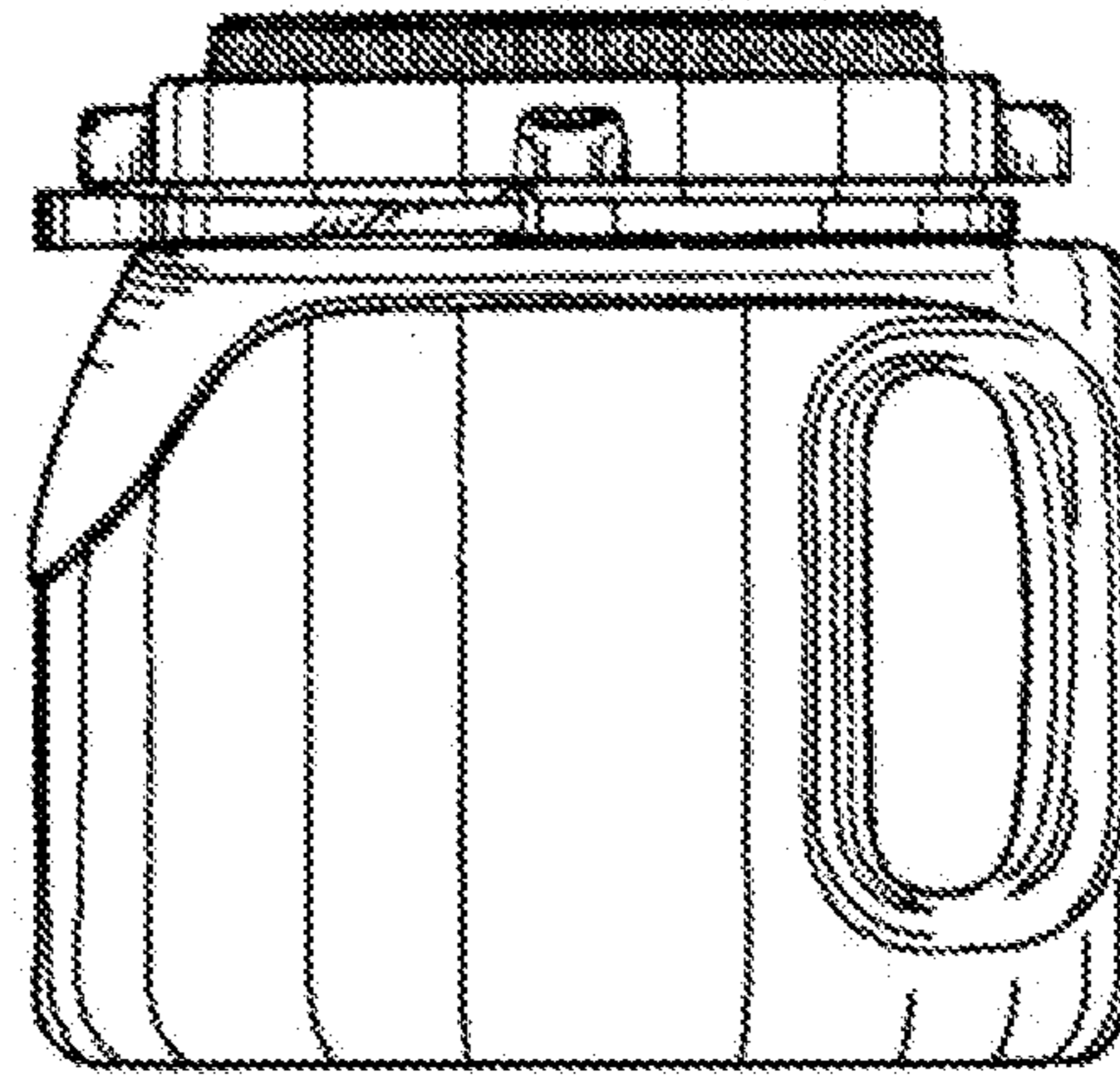


FIG. 2

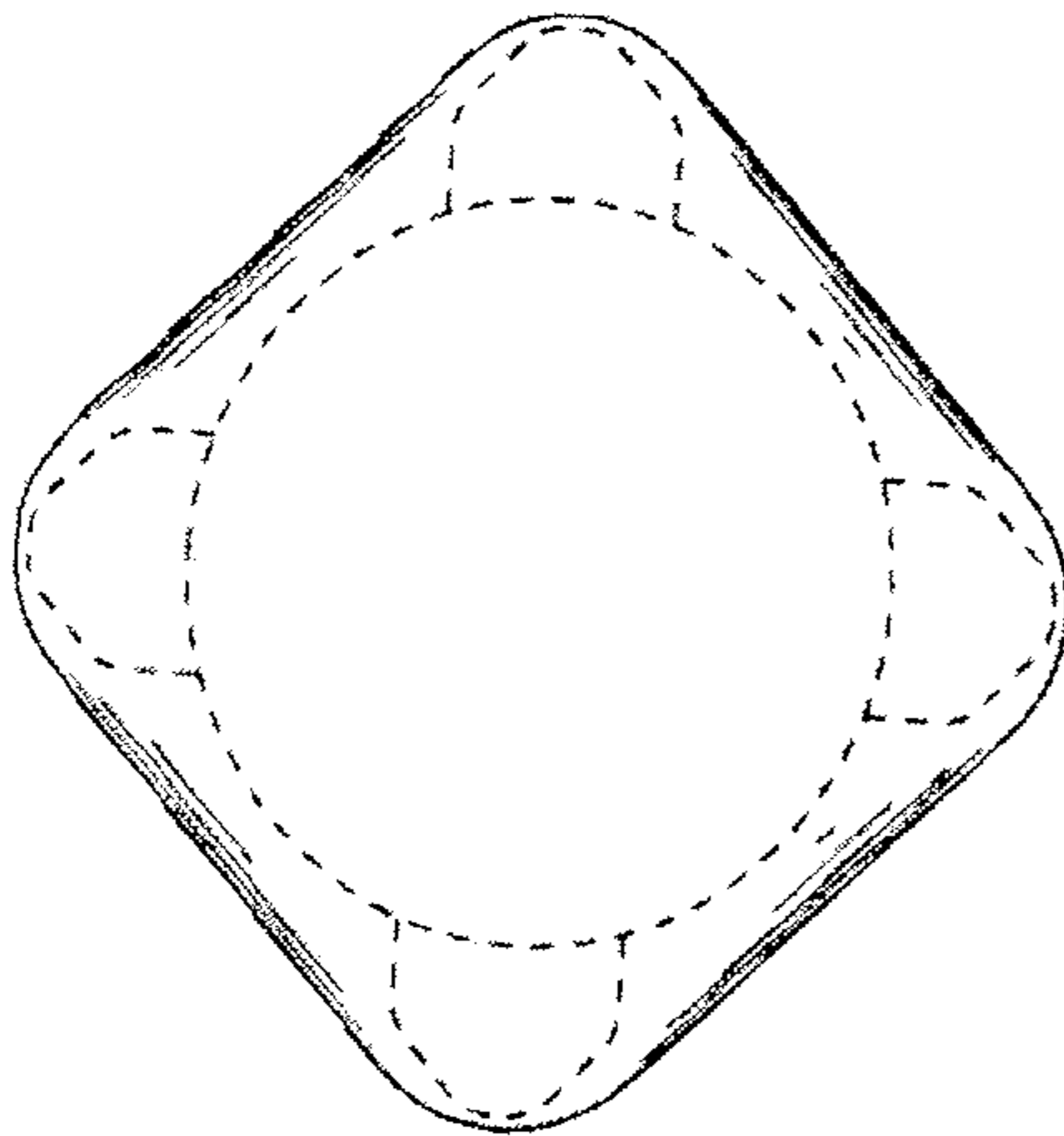


FIG. 3

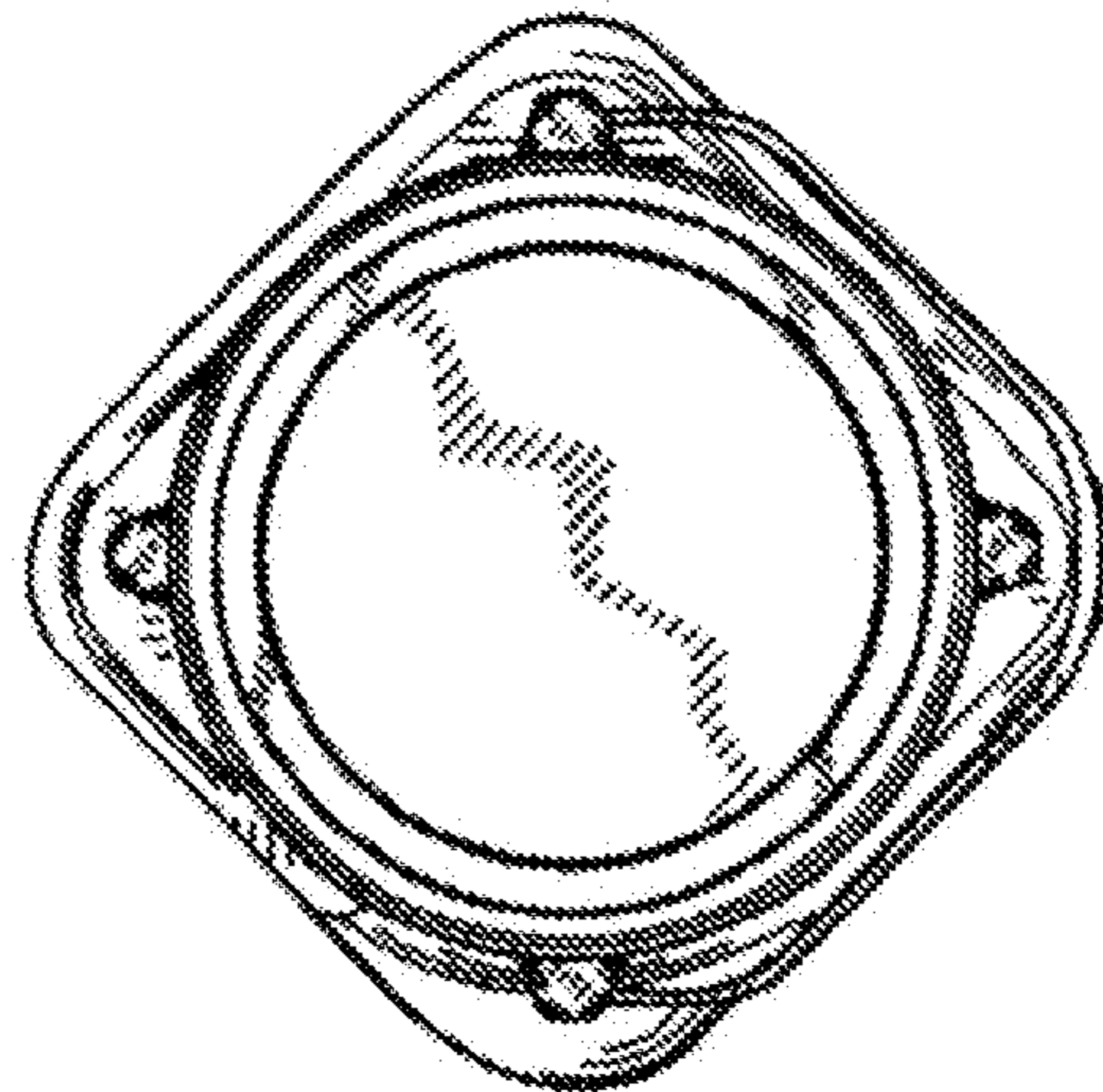


FIG. 4

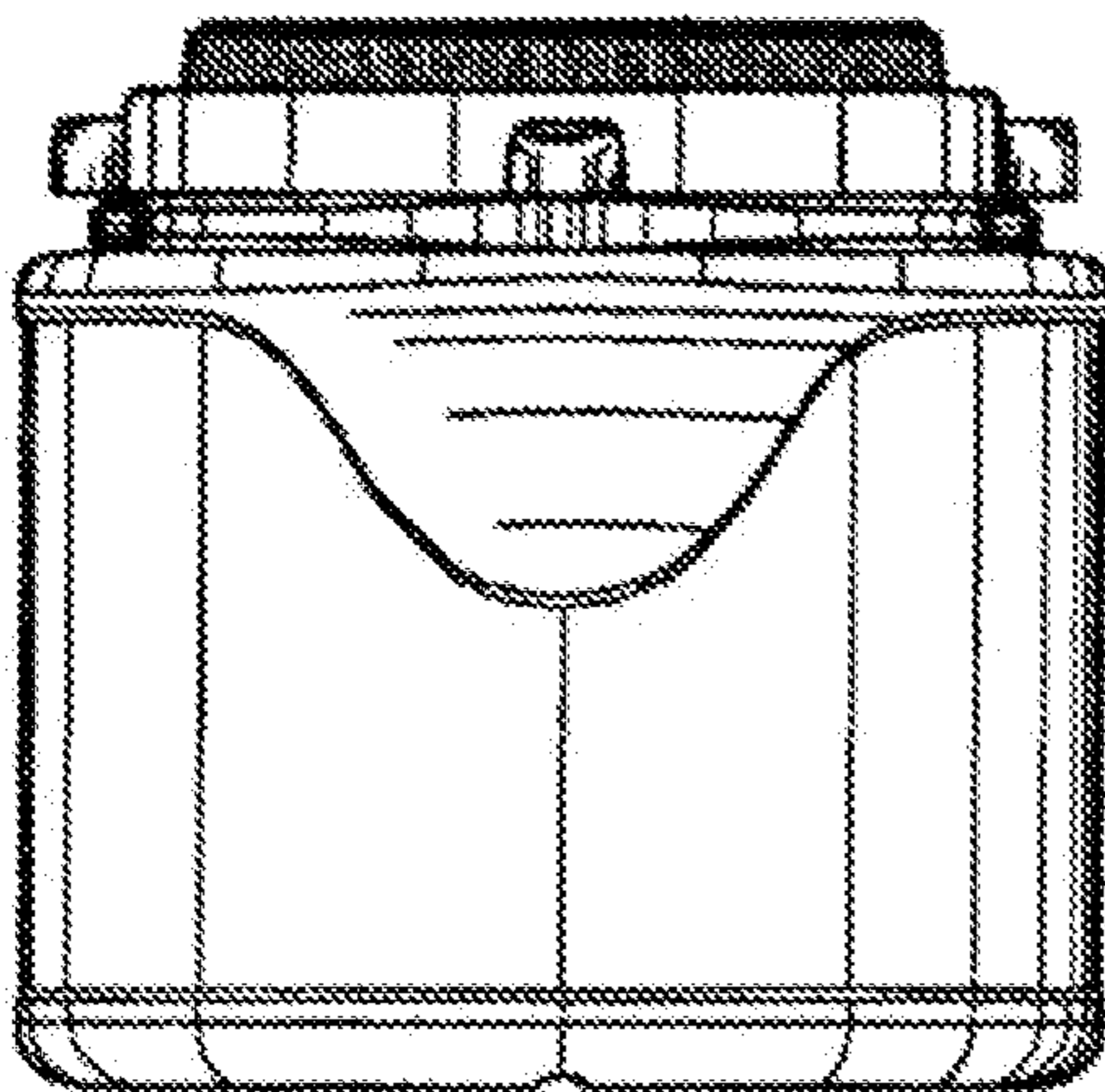


FIG. 5

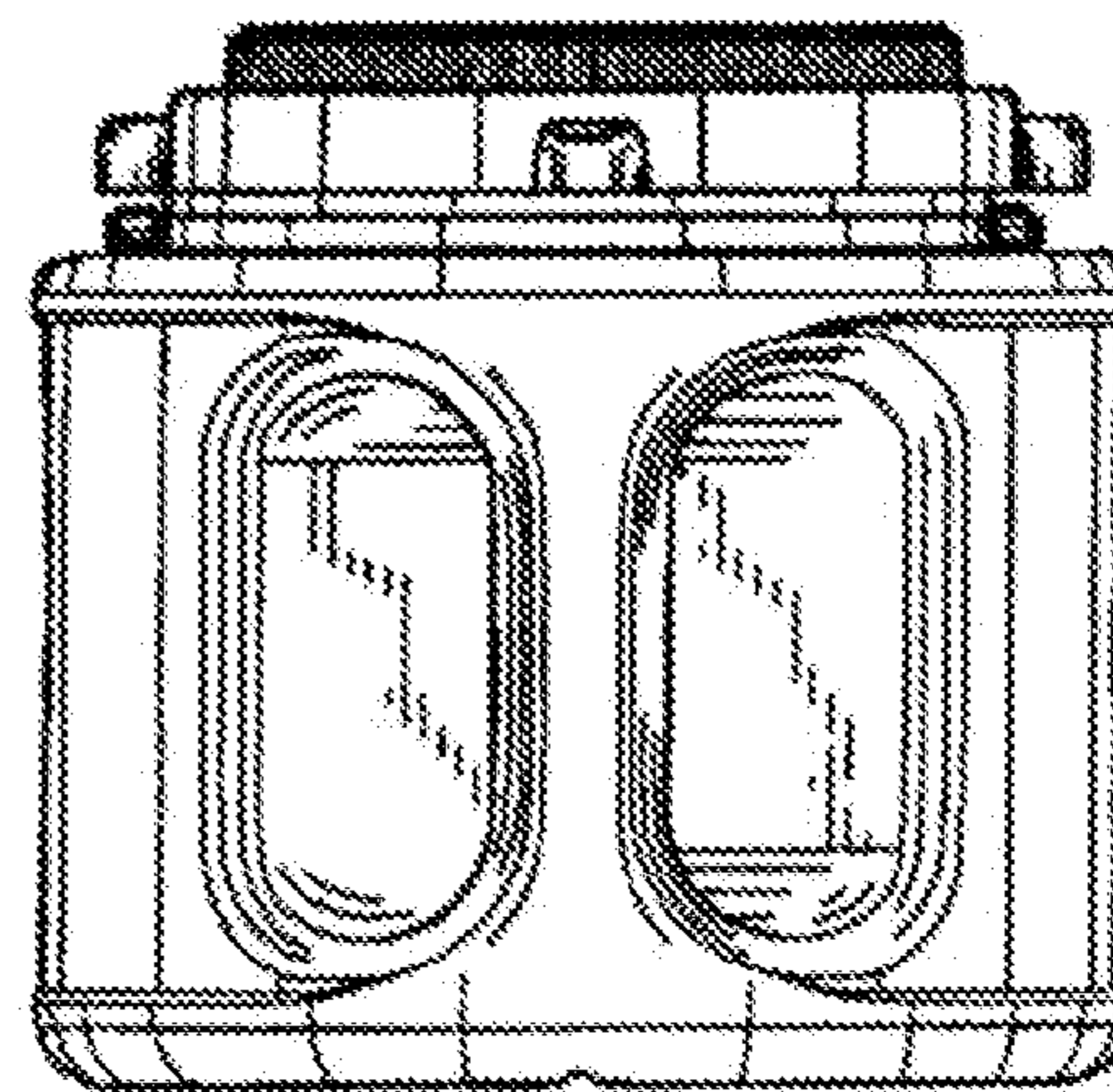


FIG. 6