

US00D563221S

(12) **United States Design Patent**
Ashiwa et al.

(10) **Patent No.:** **US D563,221 S**
(45) **Date of Patent:** **** Mar. 4, 2008**

(54) **COSMETIC CONTAINER**

(75) Inventors: **Akiko Ashiwa**, Kobe (JP); **Taichi Honda**, Nishinomiya (JP)

(73) Assignee: **The Procter & Gamble Company**, Cincinnati, OH (US)

(**) Term: **14 Years**

(21) Appl. No.: **29/267,818**

(22) Filed: **Oct. 23, 2006**

(51) **LOC (8) Cl.** **09-01**

(52) **U.S. Cl.** **D9/500; D9/500; D9/900; D24/115**

(58) **Field of Classification Search** D9/500, D9/502-504, 519, 529, 549, 557-558, 682, D9/686-691, 694, 900; D28/76, 78, 91, D28/91.1; 220/660-662, 669, 675; 215/379-383; D24/115, 222-224

See application file for complete search history.

(56) **References Cited**

U.S. PATENT DOCUMENTS

D87,975 S *	10/1932	Nester	D24/115
D138,686 S *	8/1944	Smith	D9/503
2,872,950 A *	2/1959	Castelli	141/24
D264,183 S *	5/1982	Schultz	D9/560
4,863,049 A *	9/1989	Suzuki et al.	215/249
5,611,445 A *	3/1997	Kano et al.	215/249
D537,360 S *	2/2007	Snell	D9/690

* cited by examiner

Primary Examiner—Ian Simmons

Assistant Examiner—Dana L Sipos

(74) *Attorney, Agent, or Firm*—Eric T. Addington; John M. Howell; Brian M. Bolam

(57) **CLAIM**

The ornamental design for a cosmetic container, as shown and described.

DESCRIPTION

FIG. 1 is a top perspective view of a cosmetic container showing our new design;

FIG. 2 is a front elevational view thereof

FIG. 3 is a top plan view thereof;

FIG. 4 is a bottom plan view thereof;

FIG. 5 is a partial cross section view taken along the line 5-5 in FIG. 2;

FIG. 6 is a top perspective view of the container of FIG. 1, with the unclaimed cap portion in an open position;

FIG. 7 is a top perspective view of a second embodiment of the cosmetic container of FIG. 1;

FIG. 8 is a front elevational view thereof

FIG. 9 is a top plan view thereof;

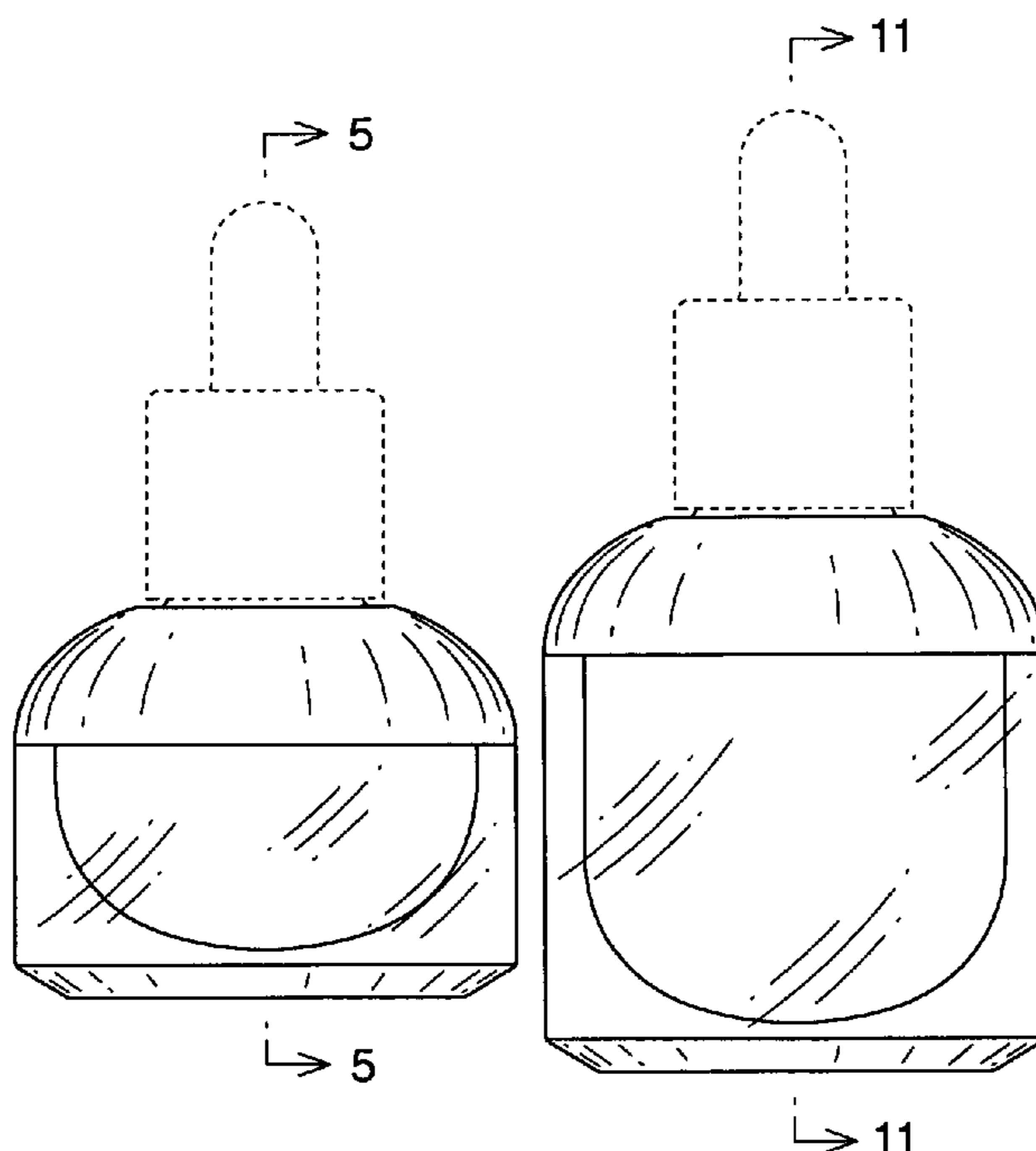
FIG. 10 is a bottom plan view thereof;

FIG. 11 is a partial cross section view taken along the line 11-11 in FIG. 8; and,

FIG. 12 is a top perspective view of the container of FIG. 1, with the unclaimed cap portion in an open position.

The broken lines shown in the drawings are for illustrative purposes only and form no part of the claimed design.

1 Claim, 8 Drawing Sheets



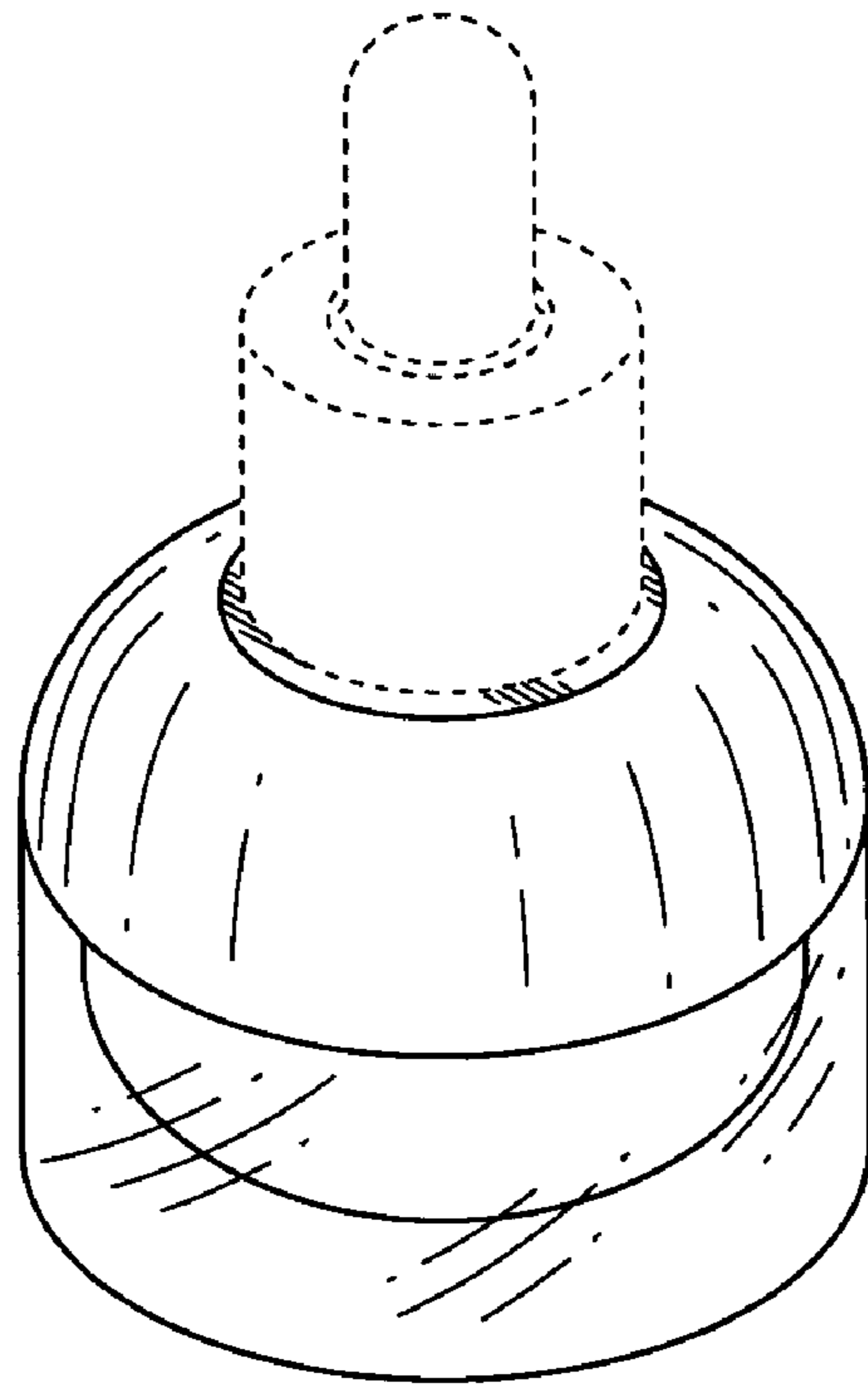


Fig. 1

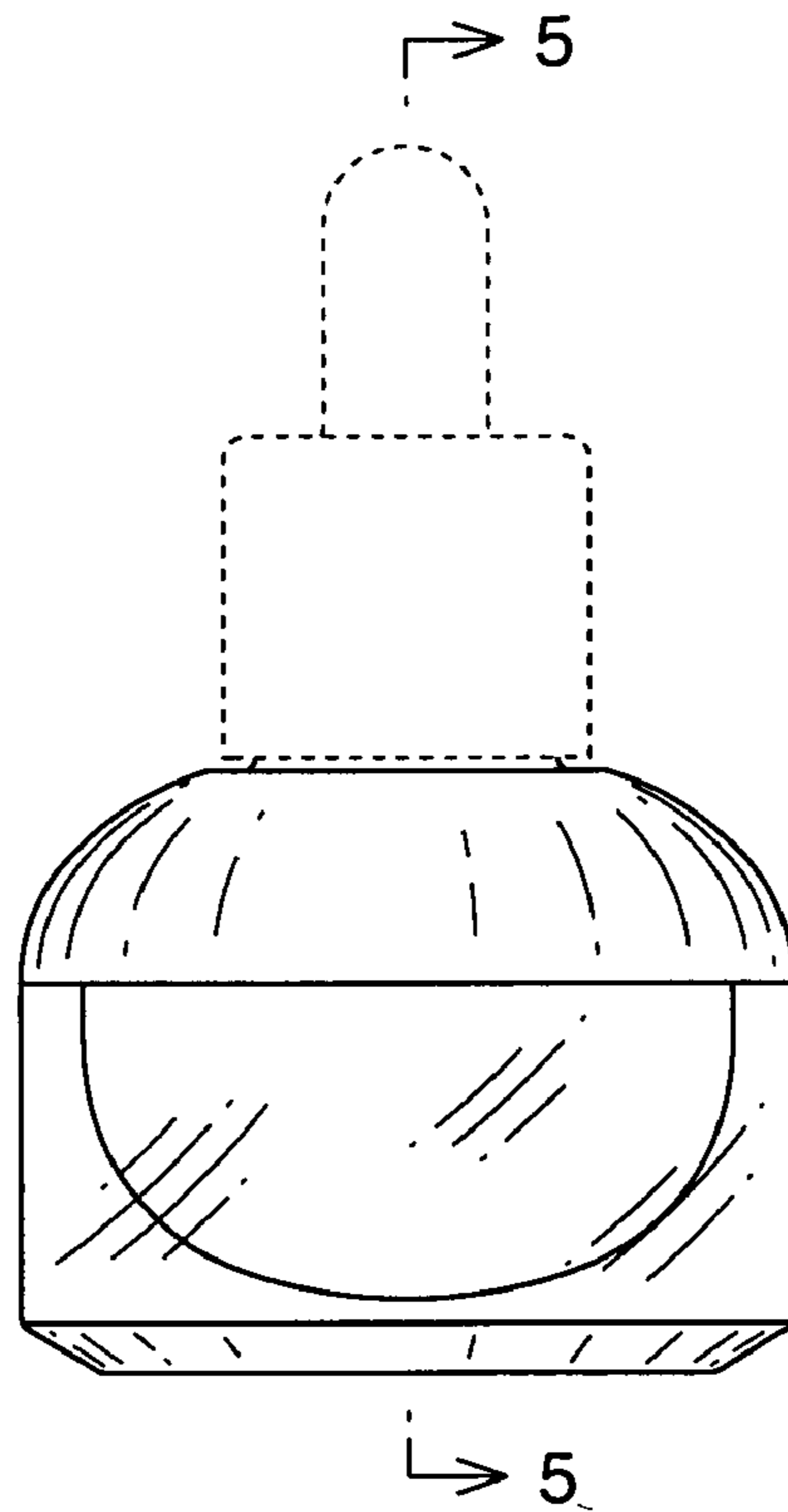


Fig. 2

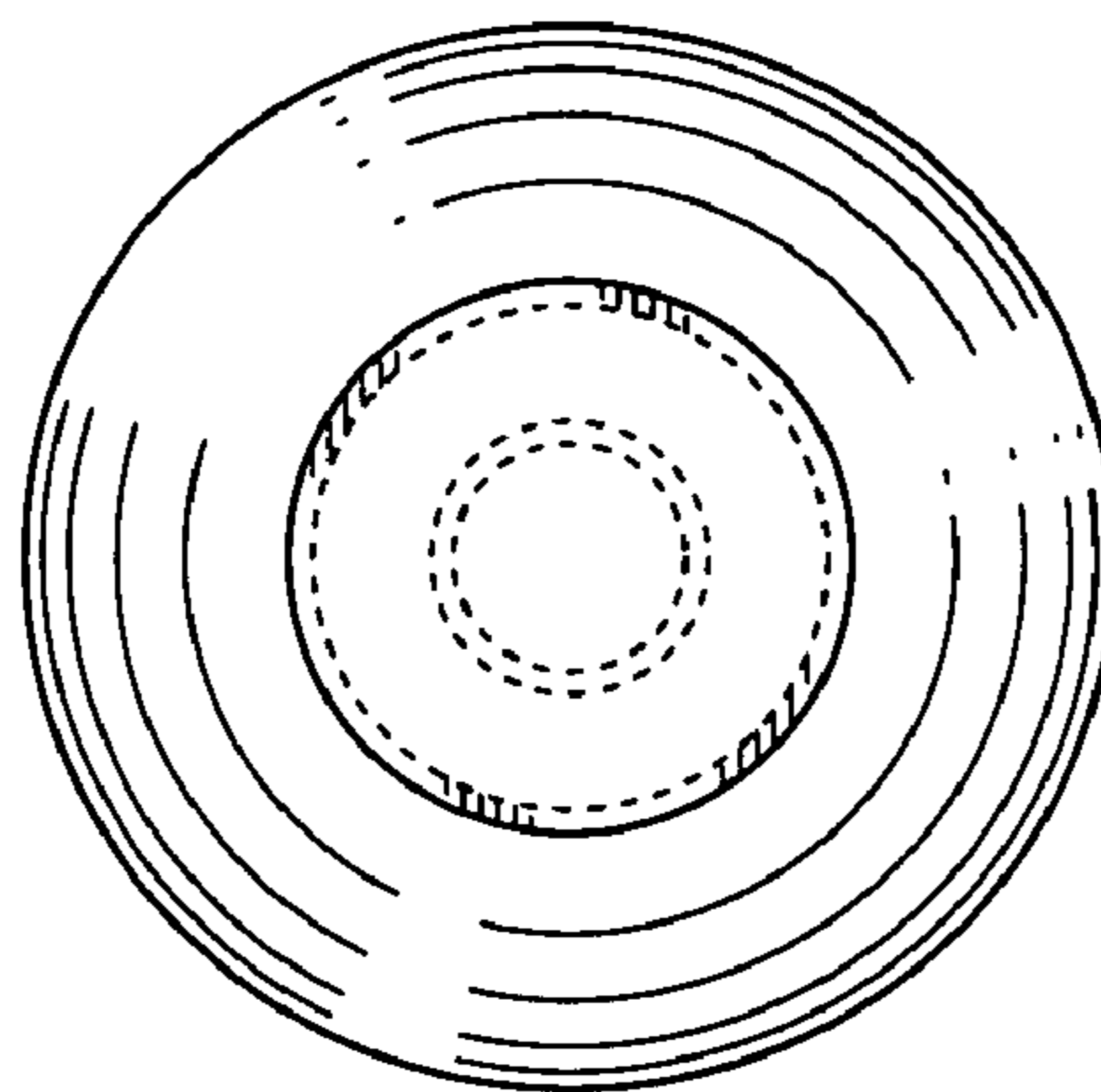


Fig. 3

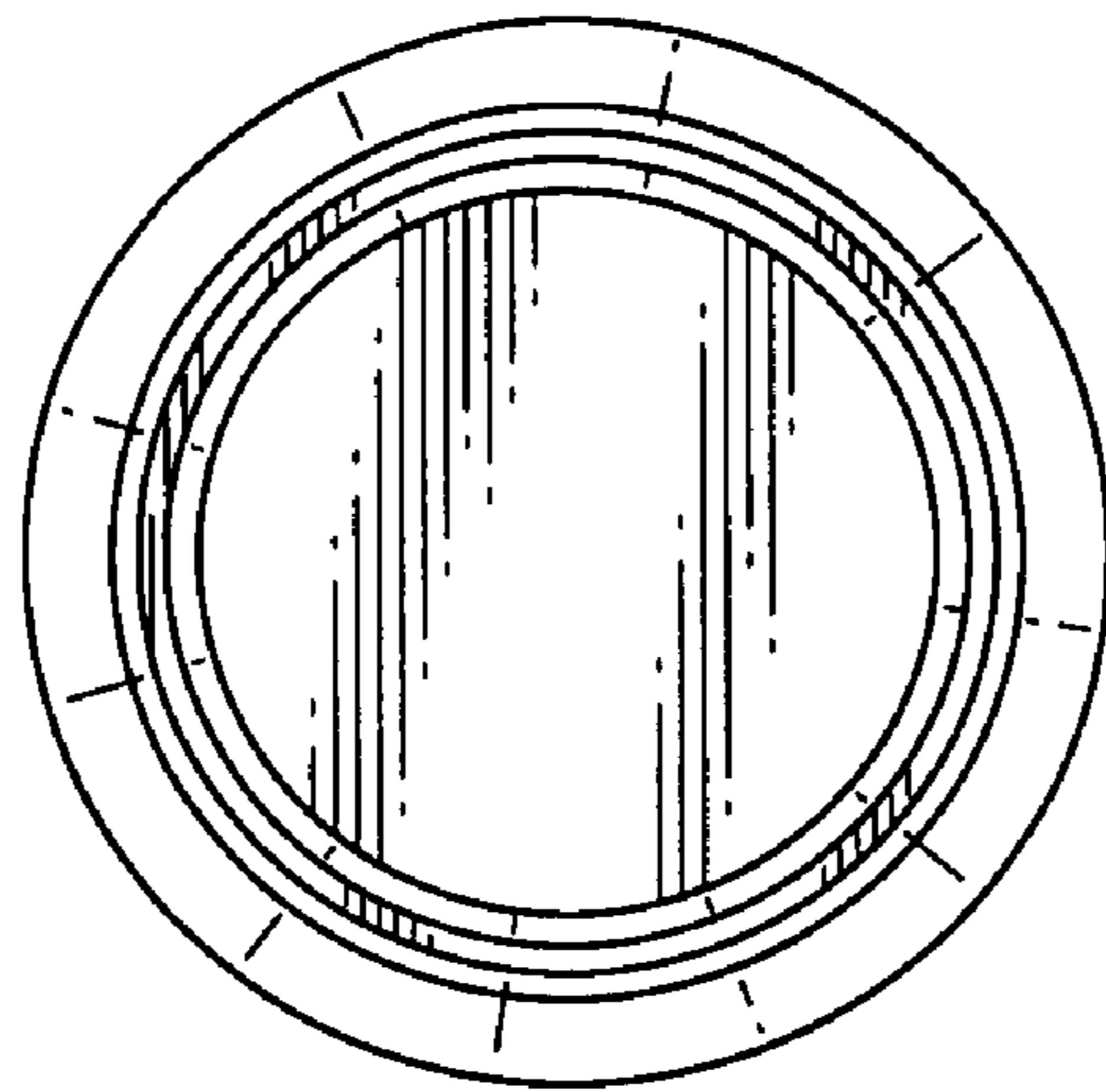


Fig. 4



Fig. 5

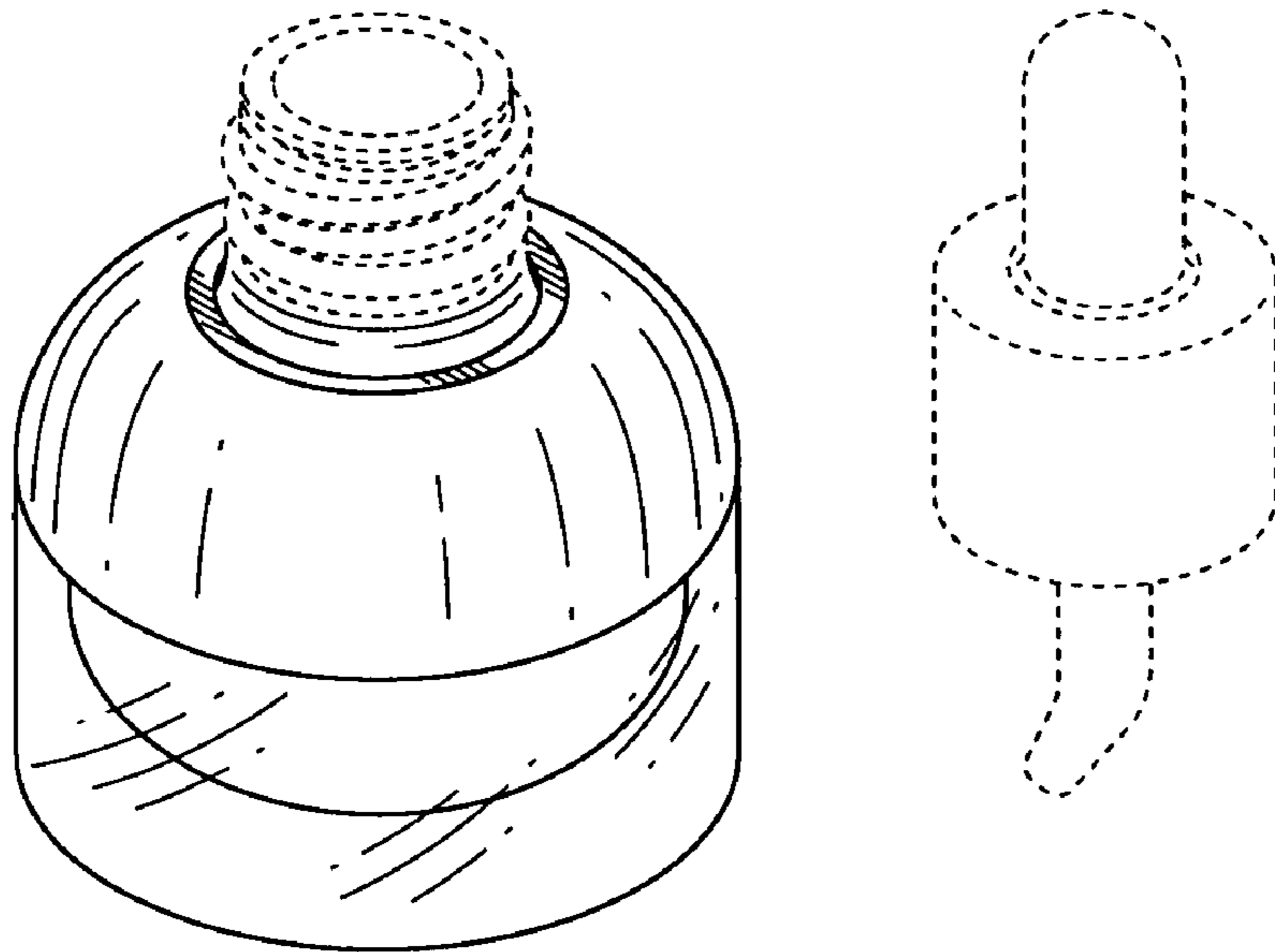


Fig. 6

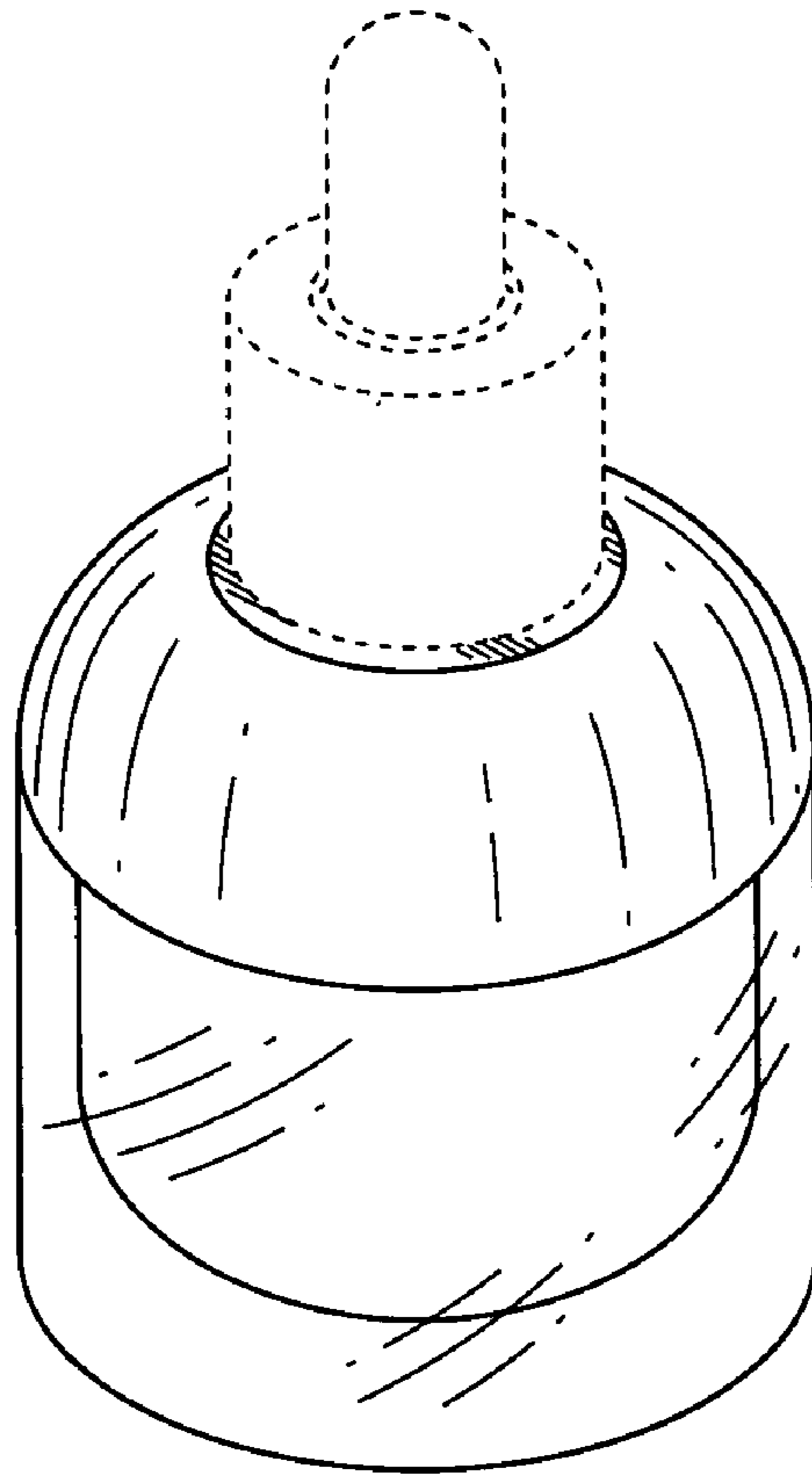


Fig. 7

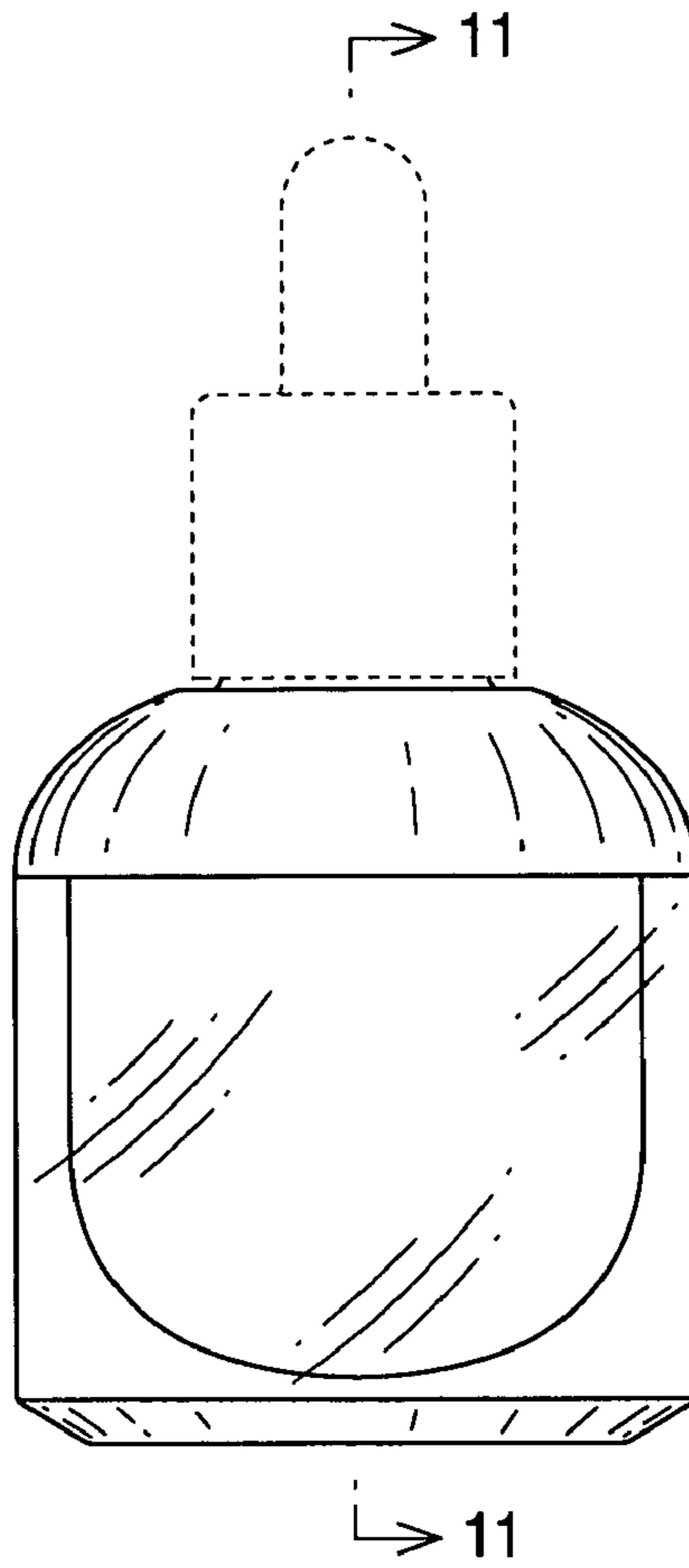


Fig. 8

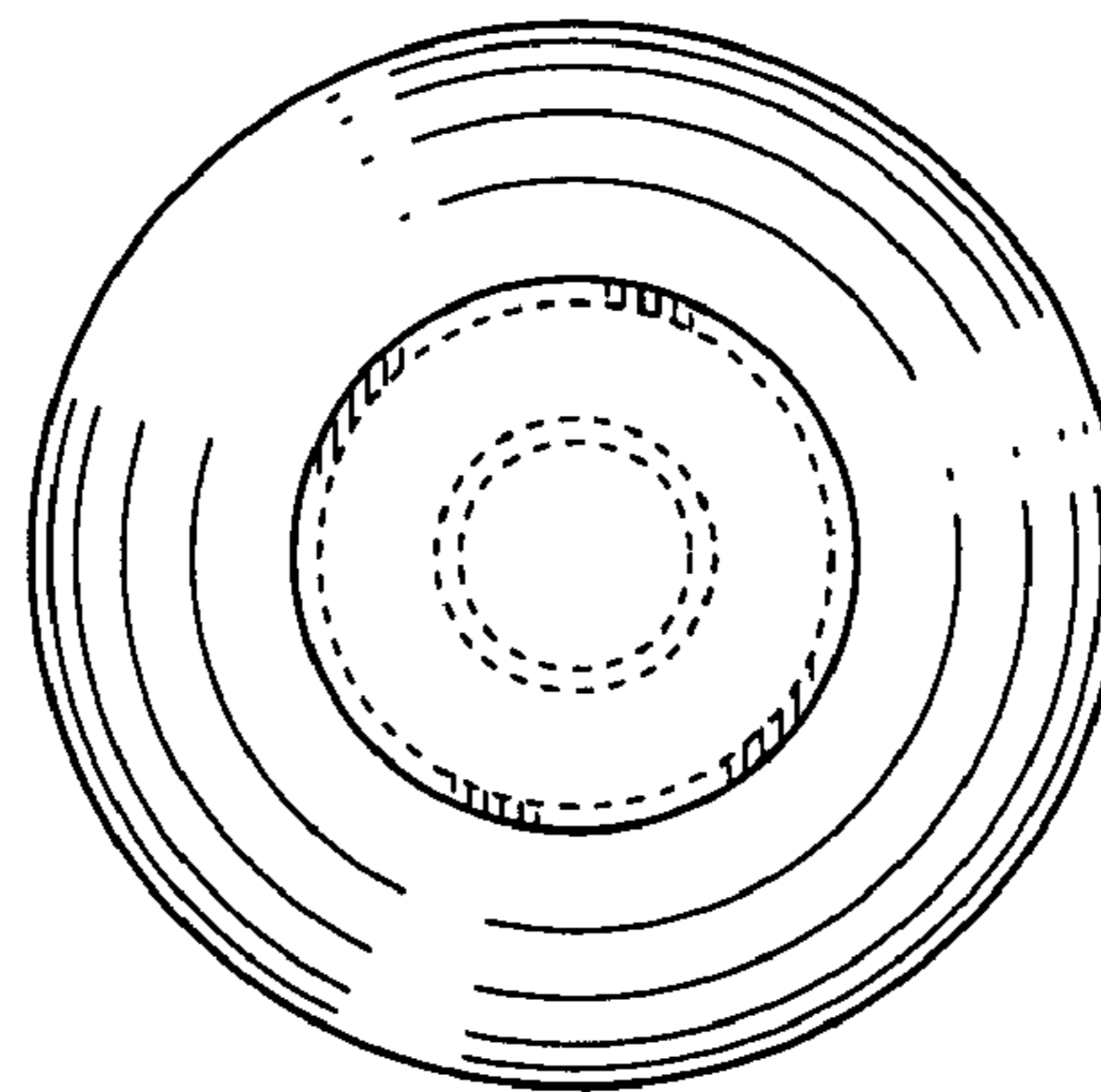


Fig. 9

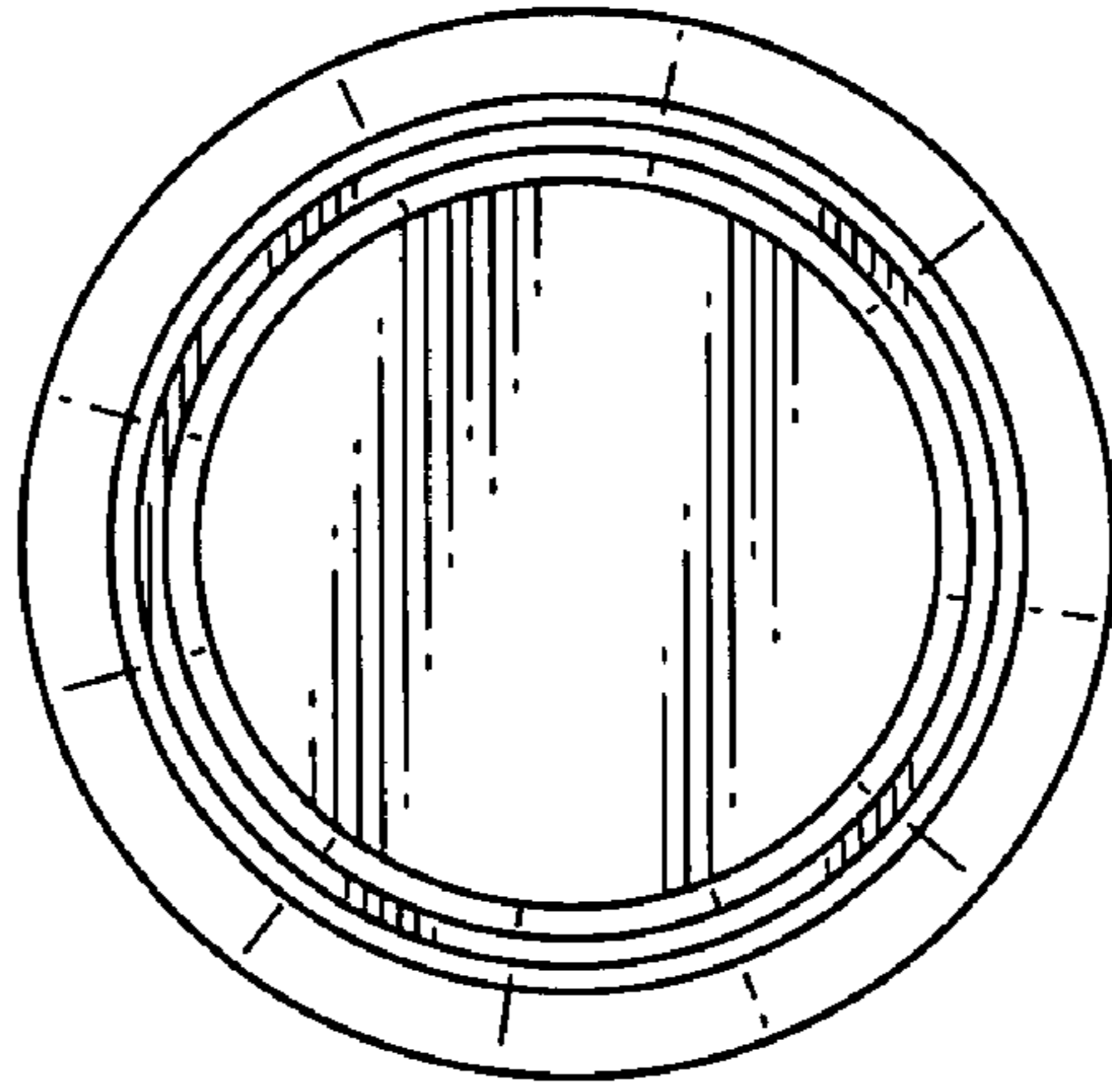


Fig. 10



Fig. 11

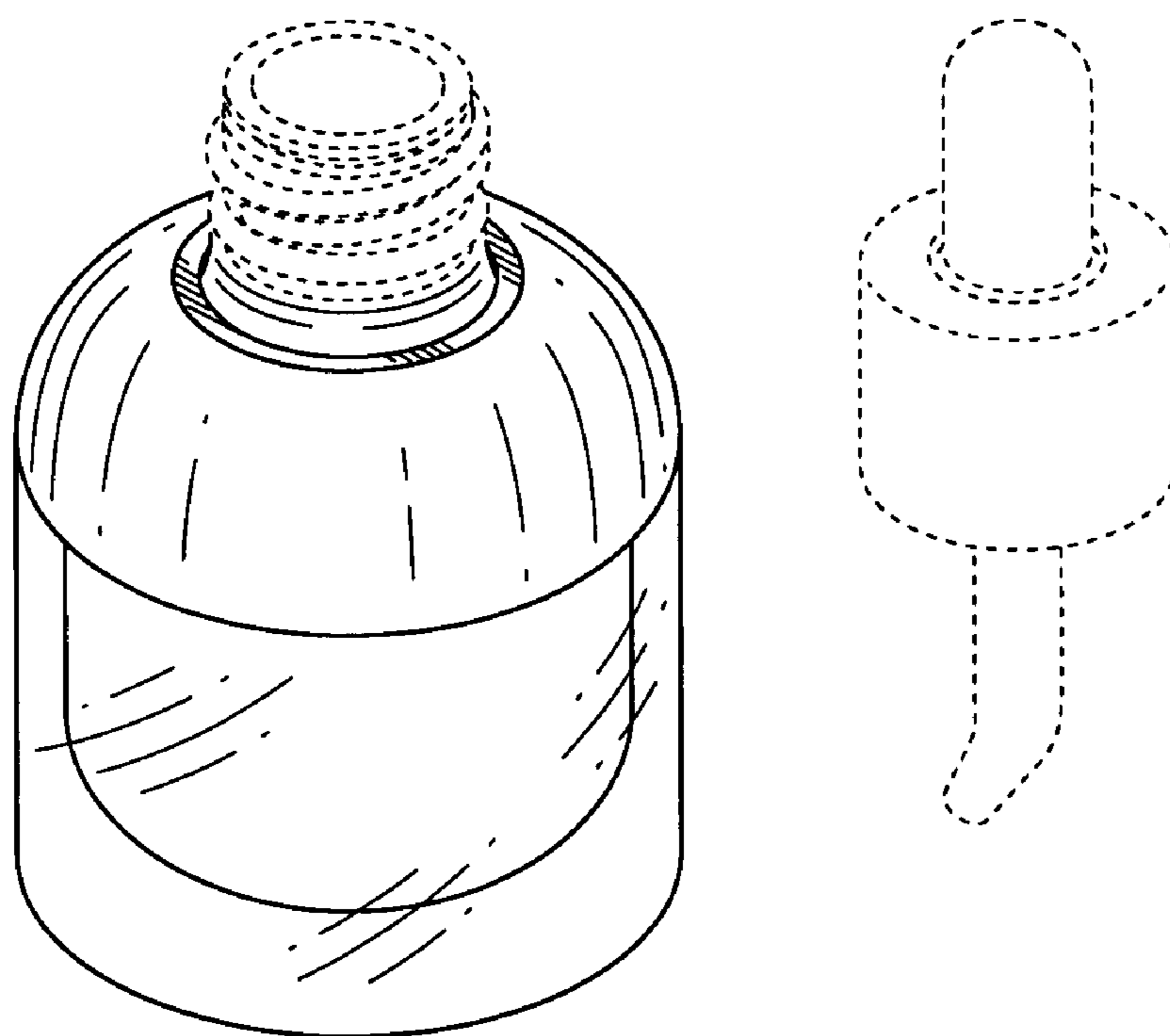


Fig. 12