

US00D563220S

(12) **United States Design Patent**
Krivoshein

(10) **Patent No.:** **US D563,220 S**
(45) **Date of Patent:** **** Mar. 4, 2008**

- (54) **VALVE FOR DISPENSING SPOUT**
- (75) Inventor: **Alex Krivoshein**, Molalla, OR (US)
- (73) Assignee: **K&K Custom Packaging, Inc.**,
Hubbard, OR (US)
- (**) Term: **14 Years**
- (21) Appl. No.: **29/286,432**
- (22) Filed: **May 4, 2007**
- (51) **LOC (8) Cl.** **09-07**
- (52) **U.S. Cl.** **D9/454; D9/439; D9/440**
- (58) **Field of Classification Search** D9/780,
D9/763, 539, 516, 454, 453, 449, 447, 440,
D9/439, 438, 436, 435, 452; D34/39; 222/570,
222/569, 547, 464.1, 185.1; 220/257.1; 215/341;
137/845, 844; D7/392, 505; D32/54
See application file for complete search history.

6,279,783 B1	8/2001	Brown et al.	
6,293,437 B1	9/2001	Socier et al.	
H2027 H	6/2002	Brown et al.	
6,398,077 B1	6/2002	Gross et al.	
6,405,901 B1	6/2002	Schantz et al.	
6,427,874 B2	8/2002	Brown et al.	
6,446,844 B1	9/2002	Gross	
6,494,346 B2	12/2002	Gross et al.	
6,530,504 B2	3/2003	Socier	
6,616,016 B2	9/2003	Hicks et al.	
6,749,092 B2	6/2004	Olechowski et al.	
6,951,295 B1	10/2005	Gaus et al.	
D526,564 S *	8/2006	Slavin et al. D9/454
7,086,572 B2	8/2006	Socier et al.	
7,117,654 B2	10/2006	Danks	

* cited by examiner

Primary Examiner—Gary D. Watson
Assistant Examiner—Susan Bennett Hattan
(74) *Attorney, Agent, or Firm*—Klarquist Sparkman, LLP

(56) **References Cited**

U.S. PATENT DOCUMENTS

571,708 A *	11/1896	Thompson	137/845
2,191,458 A *	2/1940	Duden	137/844
2,822,819 A *	2/1958	Geeraert	137/844
D240,595 S *	7/1976	Kress	D9/452
4,991,745 A	2/1991	Brown		
5,005,737 A	4/1991	Rohr		
5,033,655 A	7/1991	Brown		
5,115,950 A	5/1992	Rohr		
5,213,236 A	5/1993	Brown et al.		
D341,779 S *	11/1993	Lewis	D9/435
5,271,531 A	12/1993	Rohr et al.		
5,339,995 A	8/1994	Brown et al.		
5,377,877 A	1/1995	Brown et al.		
5,409,144 A	4/1995	Brown		
5,439,143 A	8/1995	Brown et al.		
D363,429 S *	10/1995	Lee	D9/454
D397,938 S *	9/1998	Graham et al.	D9/454
5,839,614 A	11/1998	Brown		
5,934,512 A	8/1999	Lampe et al.		
5,954,237 A	9/1999	Lampe et al.		
6,079,594 A	6/2000	Brown et al.		
6,186,374 B1	2/2001	Gross		
6,230,940 B1	5/2001	Manning et al.		
6,273,296 B1	8/2001	Brown		
6,273,307 B1	8/2001	Gross et al.		

(57) **CLAIM**

I claim the ornamental design for a valve for dispensing spout, as shown and described.

DESCRIPTION

FIG. 1 is a perspective view of a valve for dispensing spout, according to my new design, as viewed from the top thereof.

FIG. 2 is a perspective view of the valve of FIG. 1, as viewed from the bottom thereof.

FIG. 3 is a top plan view of the valve of FIG. 1.

FIG. 4 is a cross-sectional view taken along line 4—4 of FIG. 3.

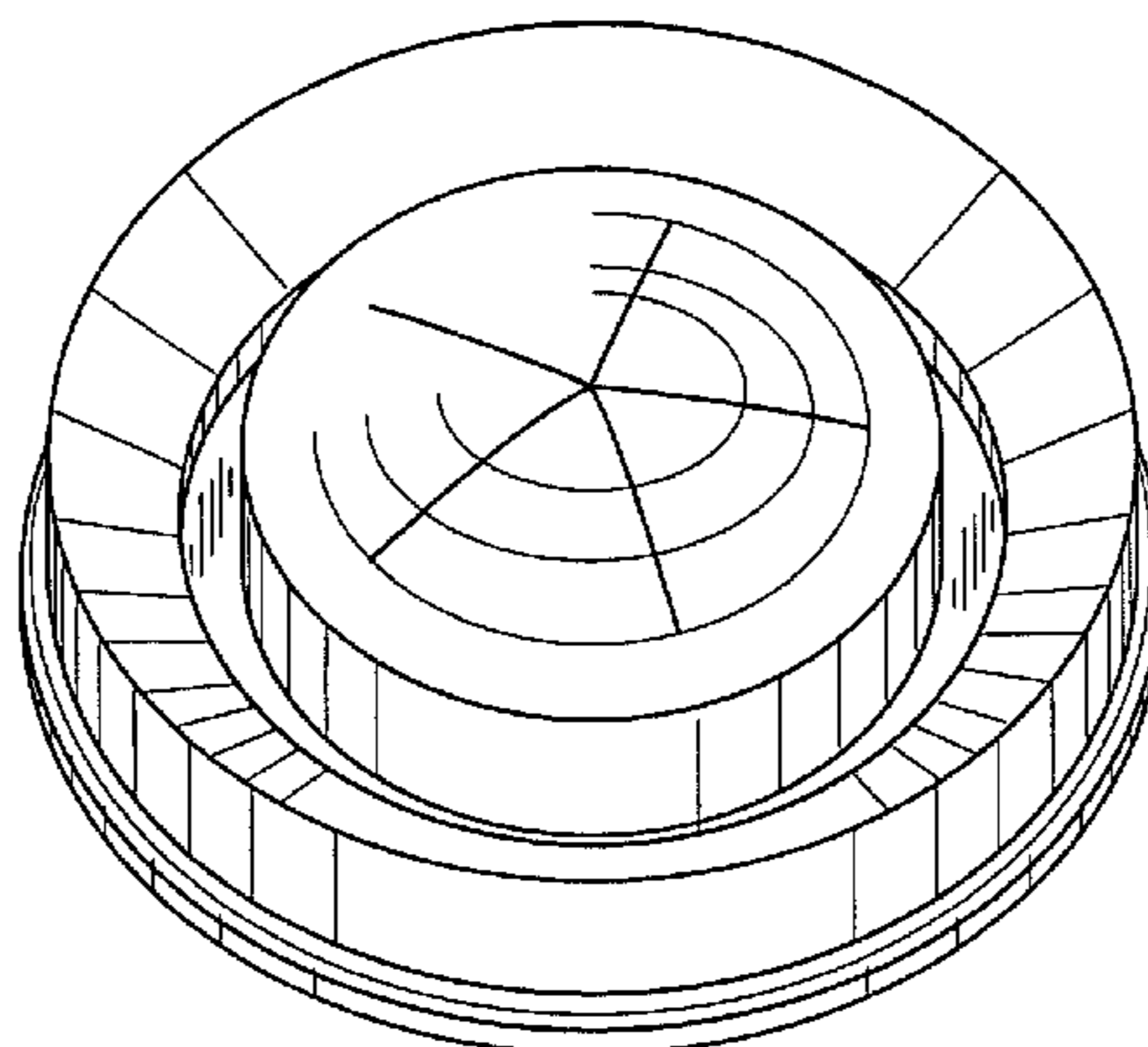
FIG. 5 is a bottom plan view of the valve of FIG. 1.

FIG. 6 is a side elevational view of the valve of FIG. 1.

FIG. 7 is a side elevational view of the valve rotated 90 degrees from the position shown in FIG. 6; and,

FIG. 8 is an elevational view of the side of valve opposite of that shown in FIG. 7.

1 Claim, 2 Drawing Sheets



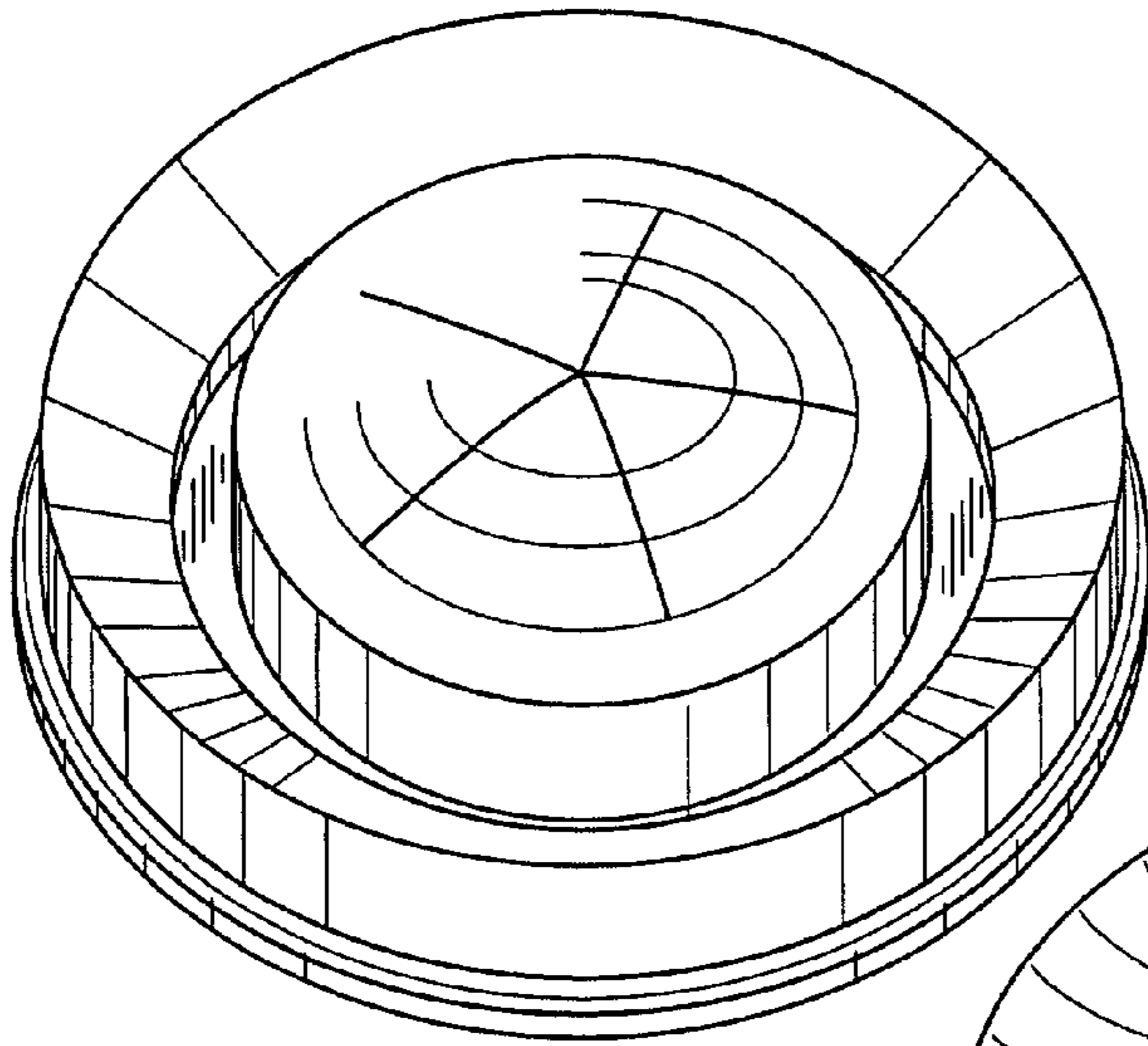


FIG. 1

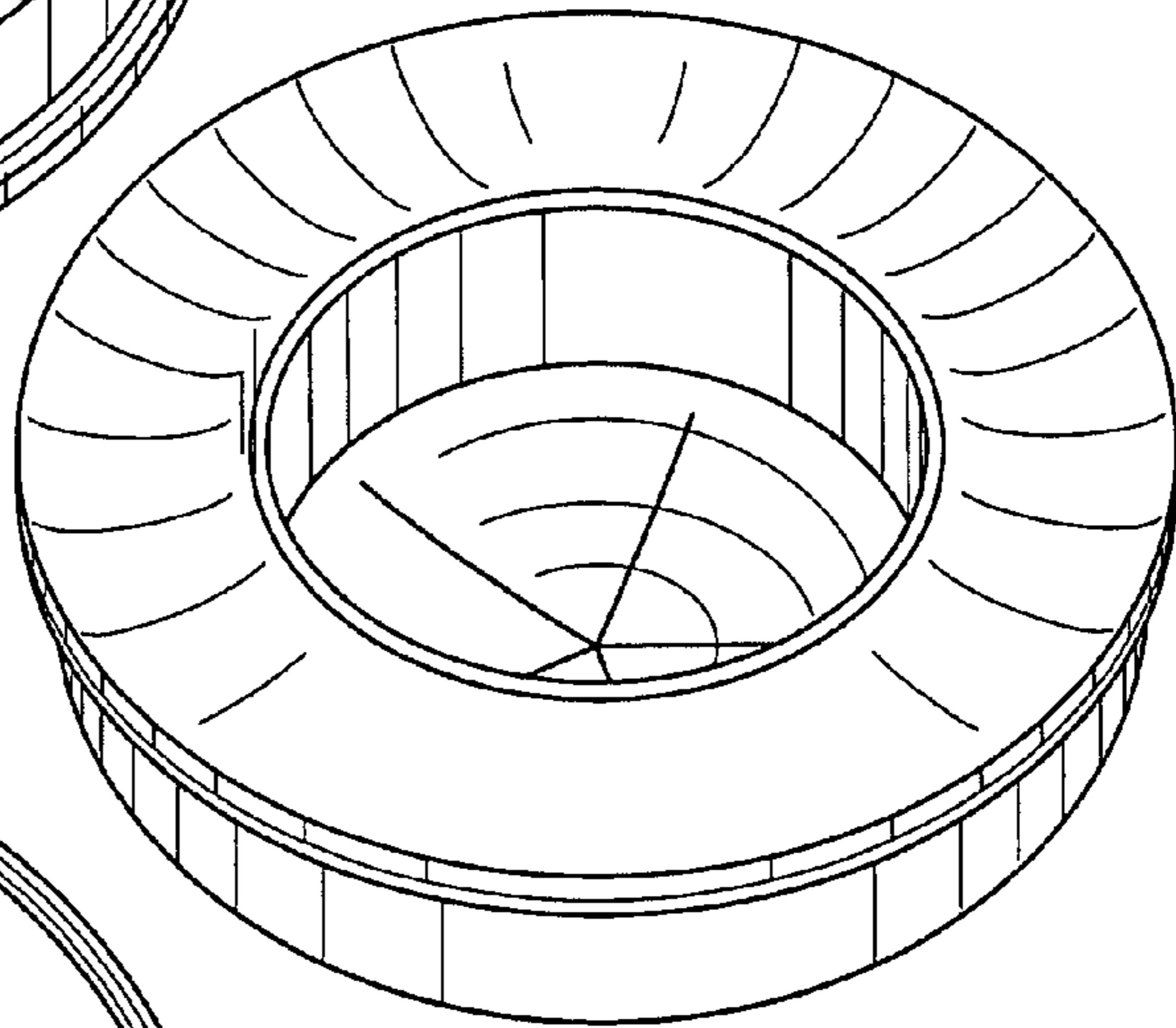


FIG. 2

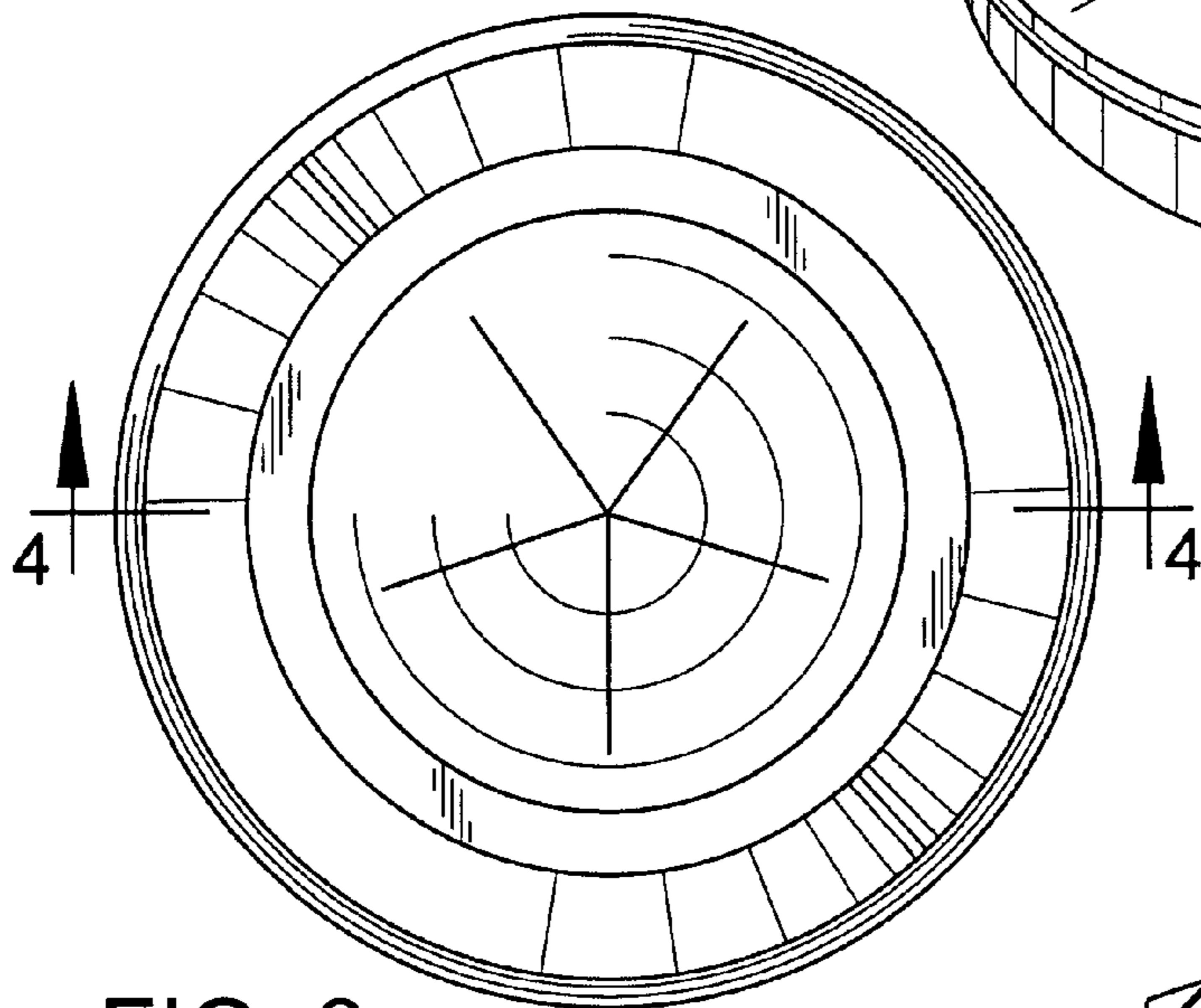


FIG. 3

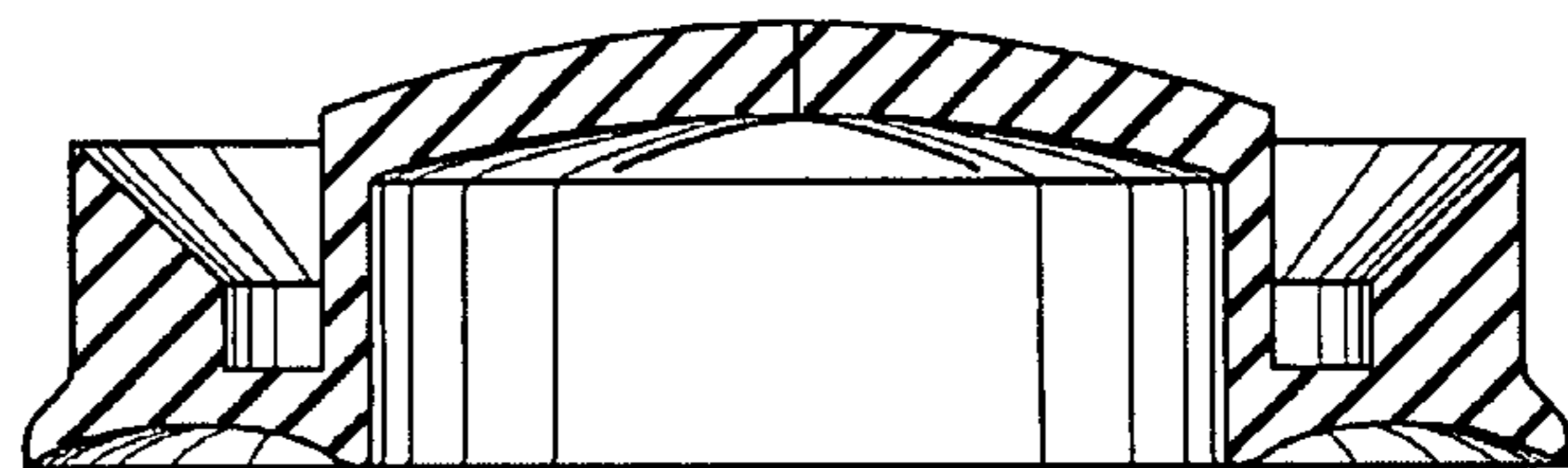


FIG. 4

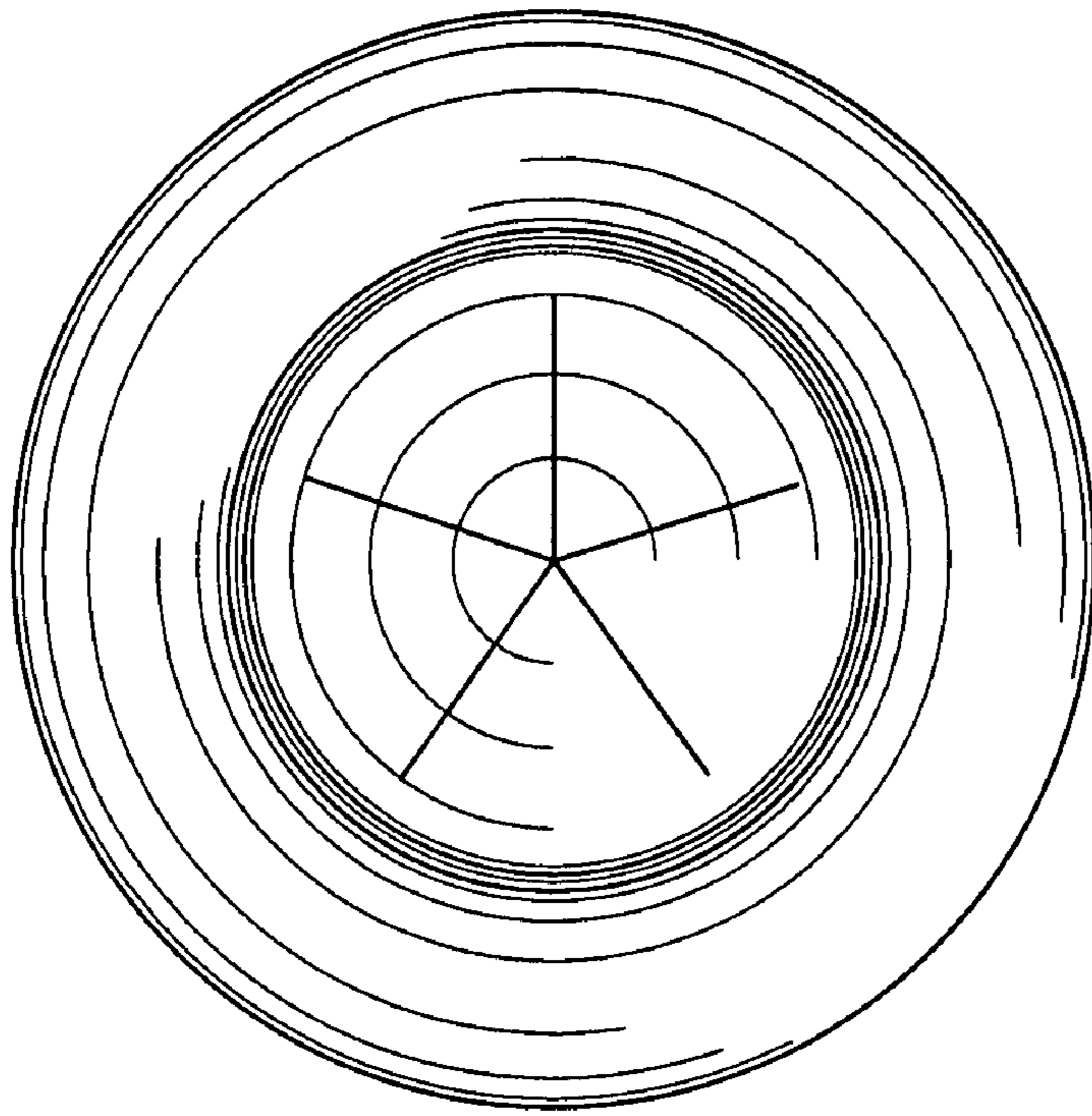


FIG. 5

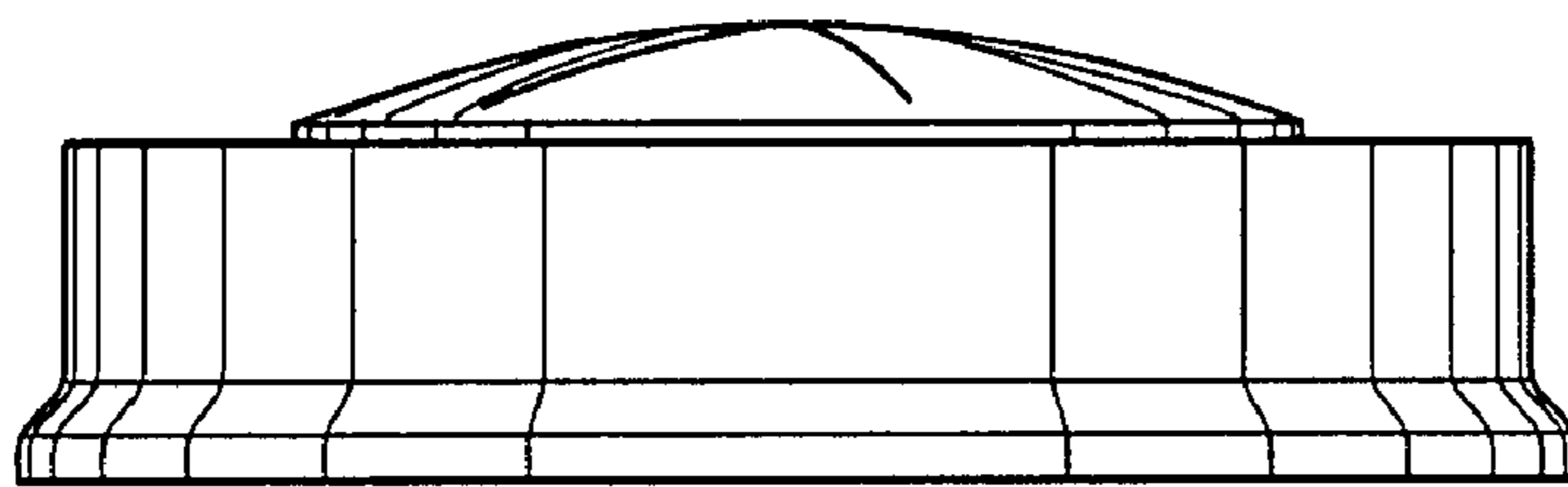


FIG. 6

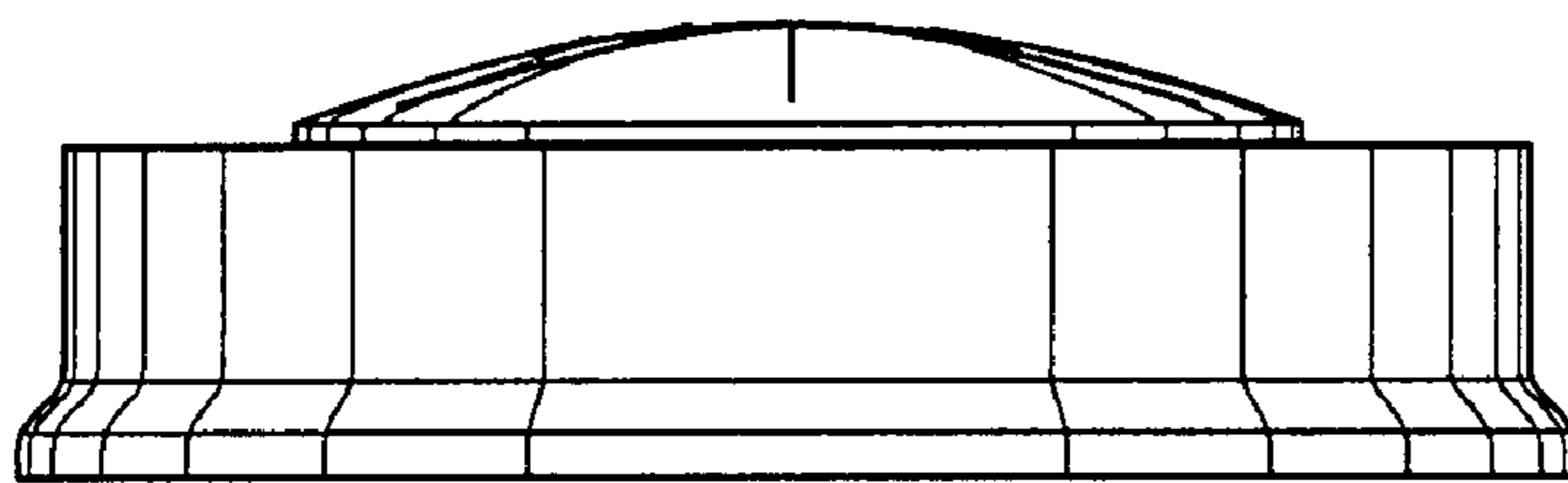


FIG. 7

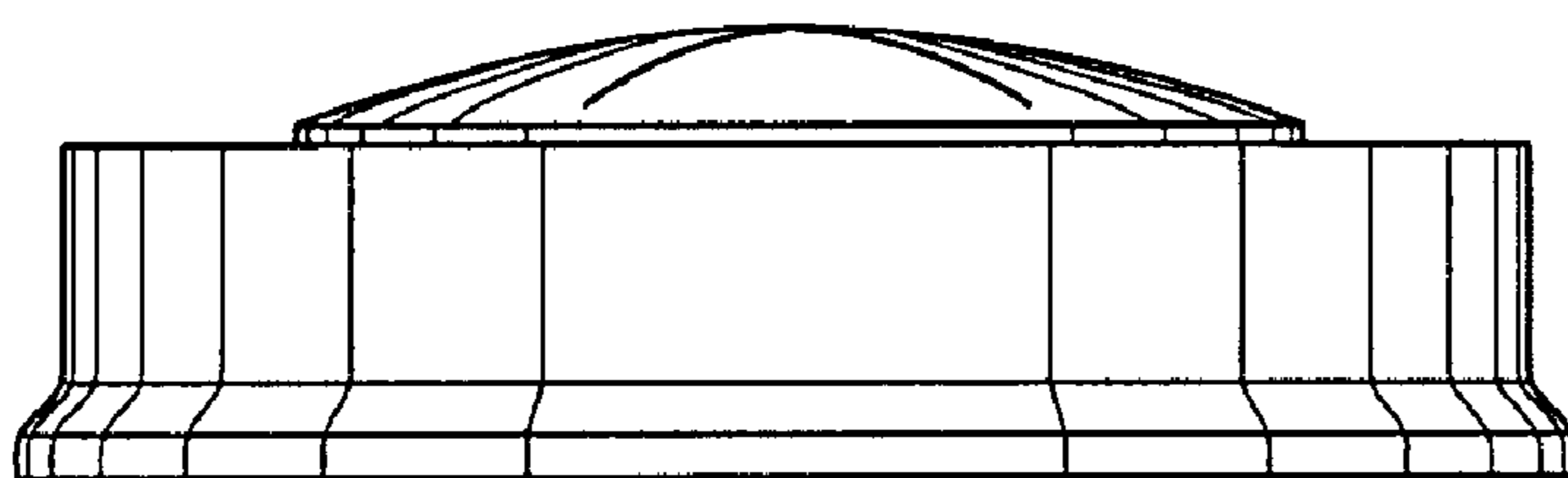


FIG. 8