



US00D563218S

(12) **United States Design Patent**
DeMalsche et al.

(10) **Patent No.:** **US D563,218 S**
(45) **Date of Patent:** **** Mar. 4, 2008**

(54) **CONTAINER**

(75) Inventors: **Katrien DeMalsche**, Hamme (BE);
Paul Robert Scott, Brussels (BE)

(73) Assignee: **The Procter & Gamble Company**,
Cincinnati, OH (US)

(**) Term: **14 Years**

(21) Appl. No.: **29/291,002**

(22) Filed: **Aug. 9, 2007**

Related U.S. Application Data

(62) Division of application No. 29/271,329, filed on Jan.
16, 2007.

(30) **Foreign Application Priority Data**

Jul. 17, 2006 (EM) 000561931

(51) **LOC (8) Cl.** **09-03**

(52) **U.S. Cl.** **D9/418**

(58) **Field of Classification Search** D9/414-418,
D9/432, 433, 676; 206/733, 769, 773, 775,
206/783, 451, 779; 229/162.1, 162.3, 162.6,
229/162.7, 120.12, 120.1, 120.8, 120.6

See application file for complete search history.

(56) **References Cited**

U.S. PATENT DOCUMENTS

D98,468 S * 2/1936 Wendel D9/432
D120,151 S * 4/1940 Tobey D9/432
3,033,357 A * 5/1962 Vogel 206/574

3,680,687 A * 8/1972 D'Alessio 206/783
D227,351 S * 6/1973 Winton D9/418
4,109,786 A * 8/1978 Roccaforte et al. 206/783
D349,458 S * 8/1994 Verdaguer D9/415
D446,113 S * 8/2001 Steinfels D9/418
D464,878 S * 10/2002 Thompson D9/418
D469,349 S * 1/2003 Meeker et al. D9/418
D472,141 S * 3/2003 Buschkiel et al. D9/416
D507,741 S * 7/2005 Lu et al. D9/432
7,147,101 B2 * 12/2006 Ryan et al. 206/216

* cited by examiner

Primary Examiner—Robert M. Spear

Assistant Examiner—Susan E Krakower

(74) *Attorney, Agent, or Firm*—Amy I. Ahn-Roll

(57) **CLAIM**

The ornamental design for a container, as shown and
described.

DESCRIPTION

FIG. 1 is an isometric view of a container showing our new
design;

FIG. 2 is a right side view of the container shown in FIG. 1;

FIG. 3 is a left side view of the container shown in FIG. 1;

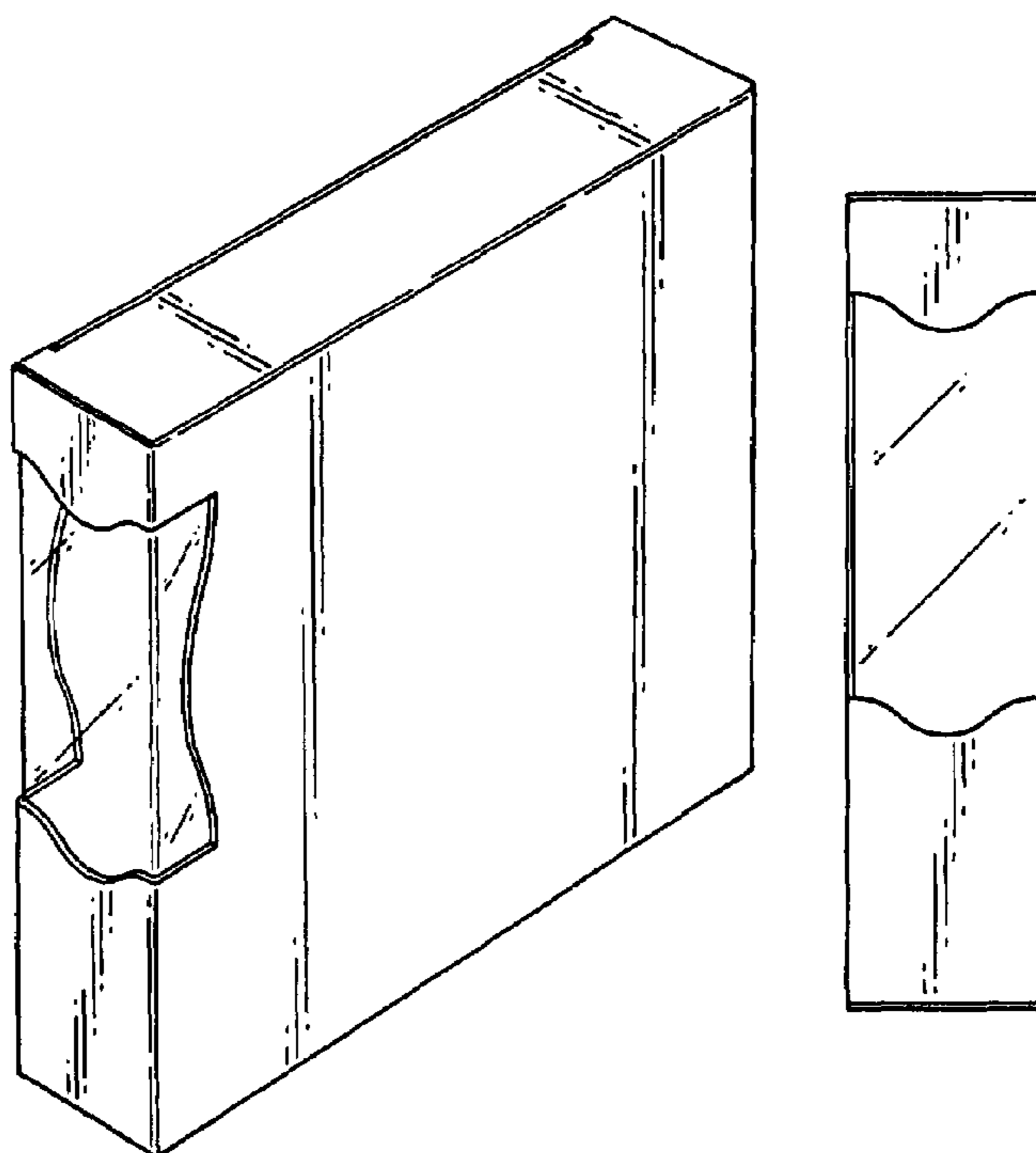
FIG. 4 is a top side view of the container shown in FIG. 1;

FIG. 5 is a bottom side view of the container shown in FIG.
1;

FIG. 6 is a front side view of the container shown in FIG. 1;
and,

FIG. 7 is a back side view of the container shown in FIG. 1.

1 Claim, 3 Drawing Sheets



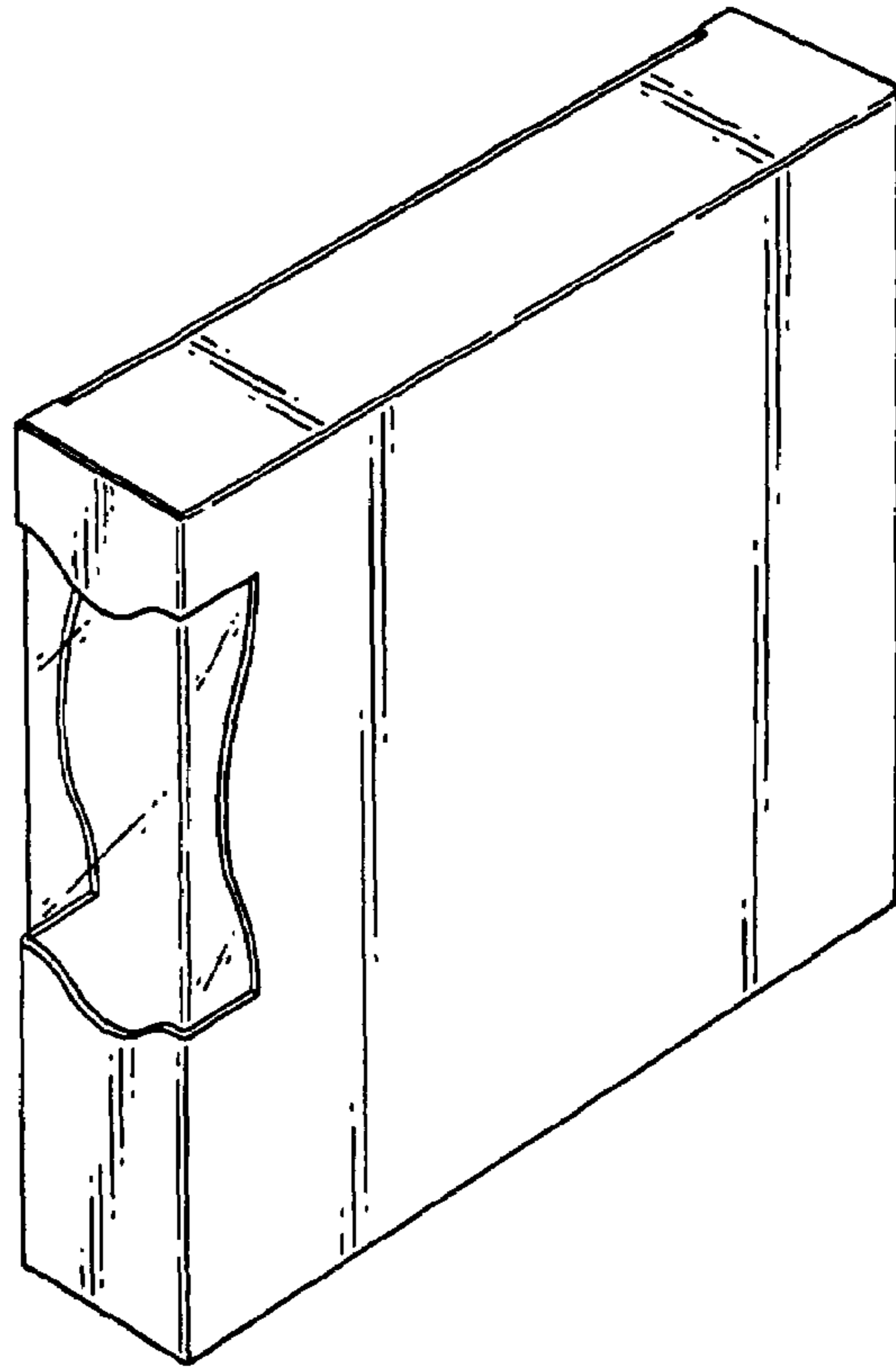


Fig. 1

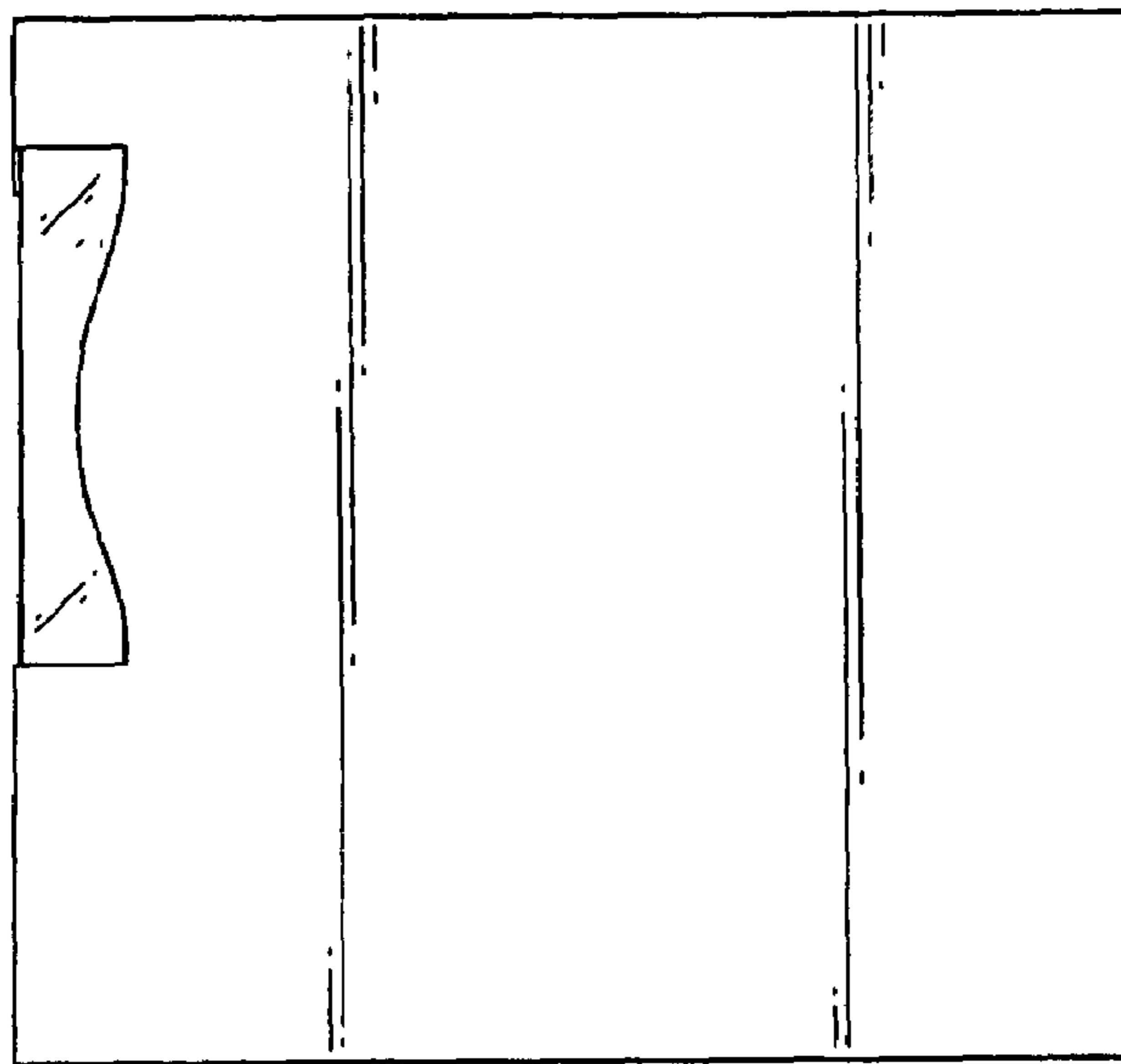


Fig. 2

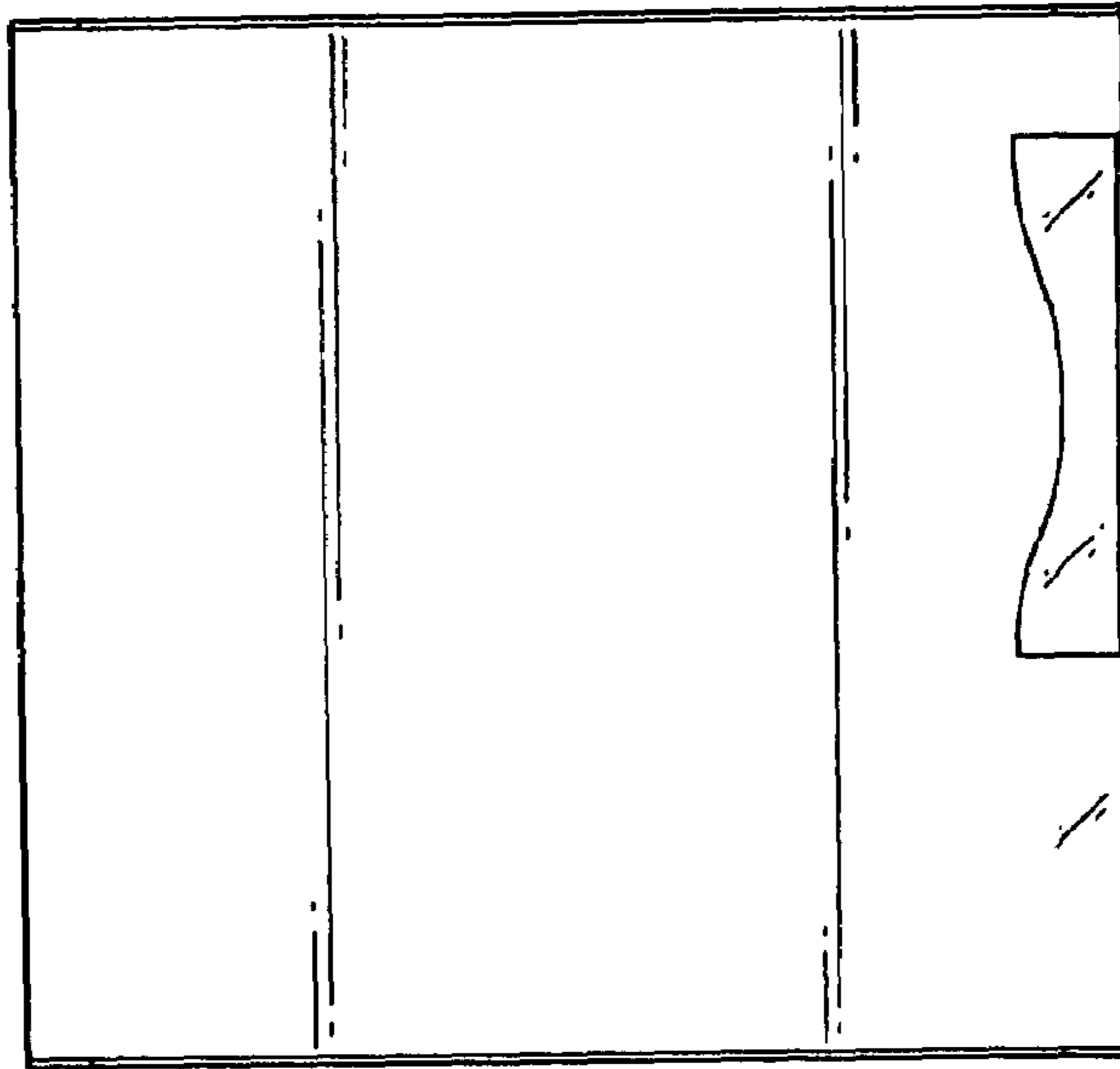


Fig. 3

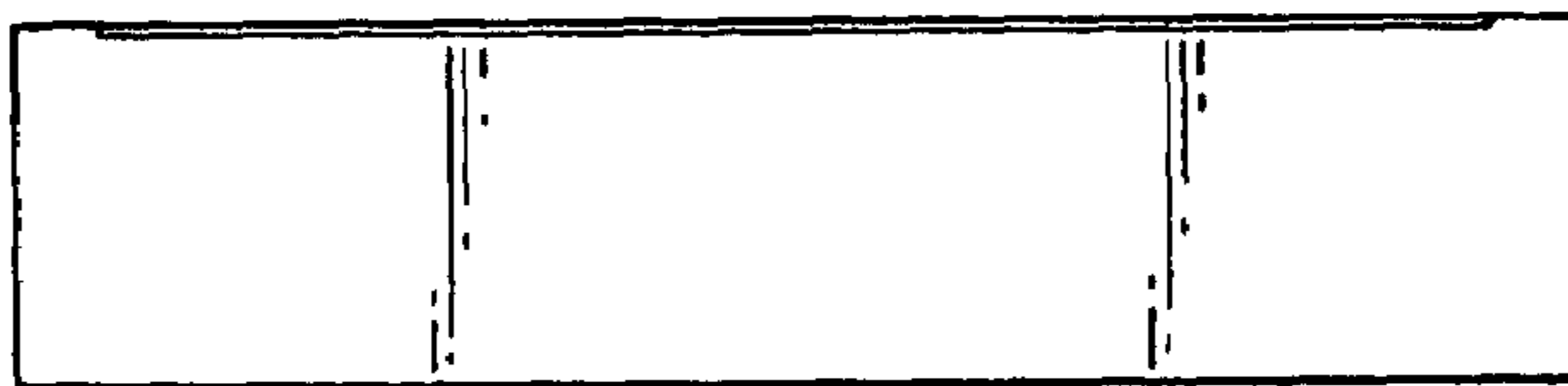


Fig. 4

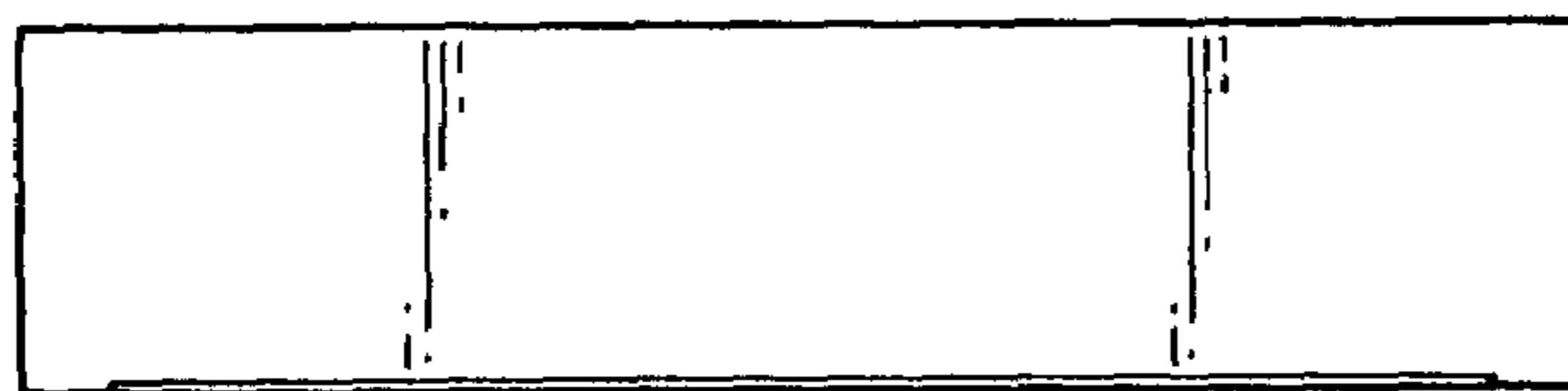


Fig. 5



Fig. 6

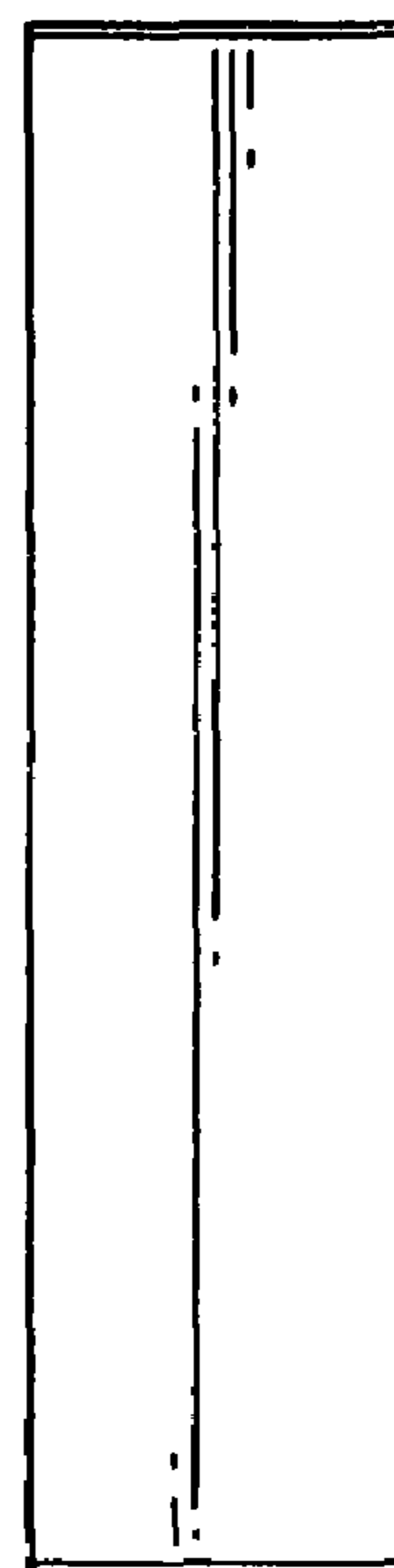


Fig. 7