



US00D563213S

(12) **United States Design Patent**  
**Sato et al.**

(10) **Patent No.:** **US D563,213 S**  
(45) **Date of Patent:** **\*\* Mar. 4, 2008**

(54) **ELASTIC MEMBER OF AN ELASTIC COUPLER**

FOREIGN PATENT DOCUMENTS

JP 1059574 10/1999

(75) Inventors: **Yoshiyuki Sato**, Tokyo (JP); **Nobushige Fujioka**, Tokyo (JP); **Satoshi Kimura**, Tokyo (JP)

\* cited by examiner

*Primary Examiner*—Holly H. Baynham

*Assistant Examiner*—Sheryl Friedman

(73) Assignee: **Miki Pulley Co., Ltd.**, Kanagawa (JP)

(74) *Attorney, Agent, or Firm*—Marshall & Melhorn, LLC

(\*\*) Term: **14 Years**

(57) **CLAIM**

(21) Appl. No.: **29/262,524**

The ornamental design for an elastic member of an elastic coupler, as shown and described.

(22) Filed: **Jul. 5, 2006**

**DESCRIPTION**

(51) **LOC (8) Cl.** ..... **08-08**

FIG. 1 is a perspective view of an elastic member showing our new design;

(52) **U.S. Cl.** ..... **D8/382**

FIG. 2 is a front view thereof;

(58) **Field of Classification Search** ..... D8/382,  
D8/383; 464/73; 403/403, 322.1, 332.4,  
403/217

FIG. 3 is a right side view thereof, a left side view being a mirror image thereof;

See application file for complete search history.

FIG. 4 is a top view thereof, a bottom view being a mirror image thereof;

(56) **References Cited**

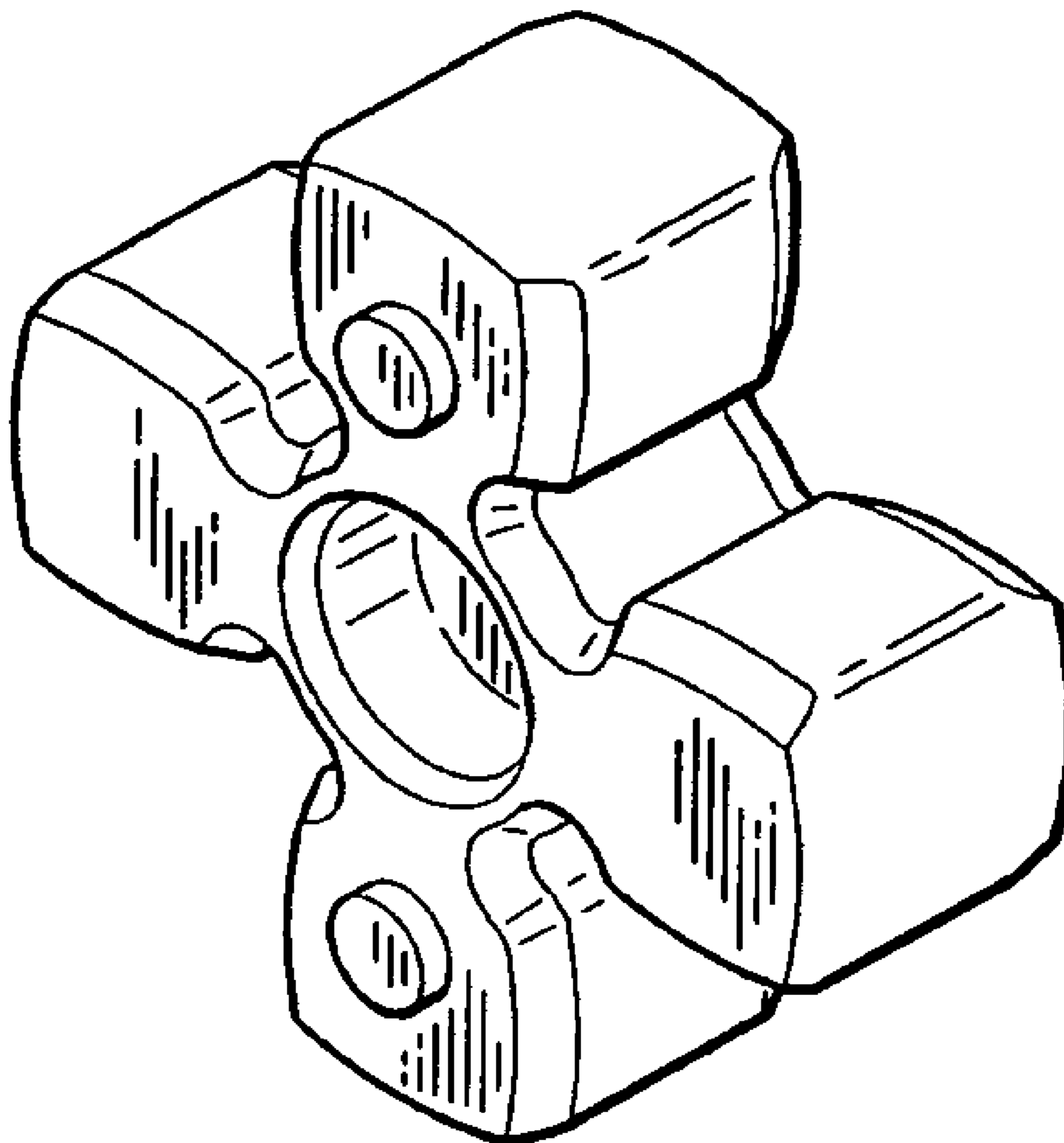
U.S. PATENT DOCUMENTS

6,342,011 B1 \* 1/2002 Pokrandt et al. .... 464/73  
D481,299 S \* 10/2003 Fujioka ..... D8/382  
D504,809 S \* 5/2005 Sato et al. .... D8/382  
D513,471 S \* 1/2006 Sato et al. .... D8/382

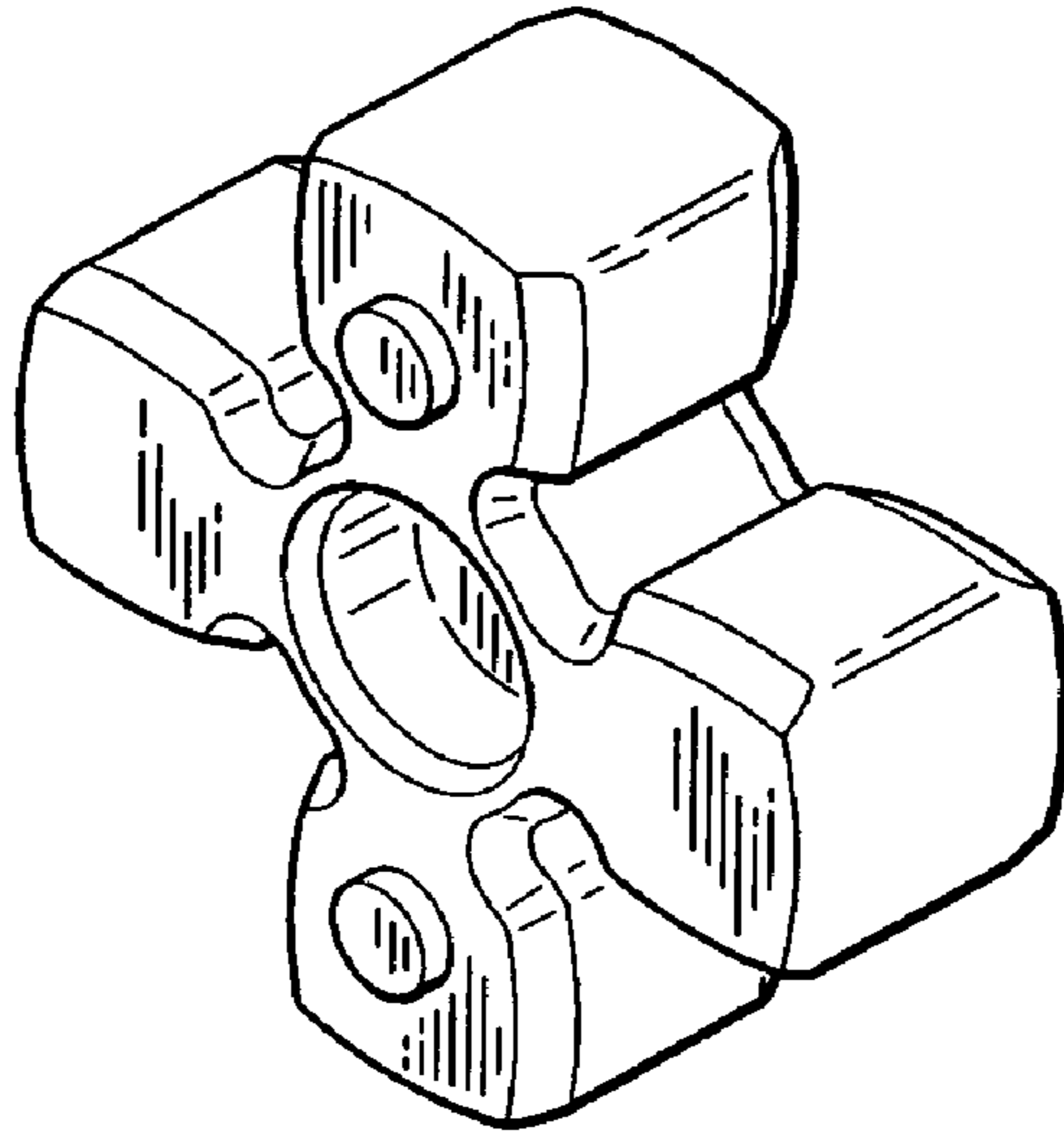
FIG. 5 is a back view thereof; and,

FIG. 6 is a cross-sectional view thereof taken along the line VI—VI in FIG. 2.

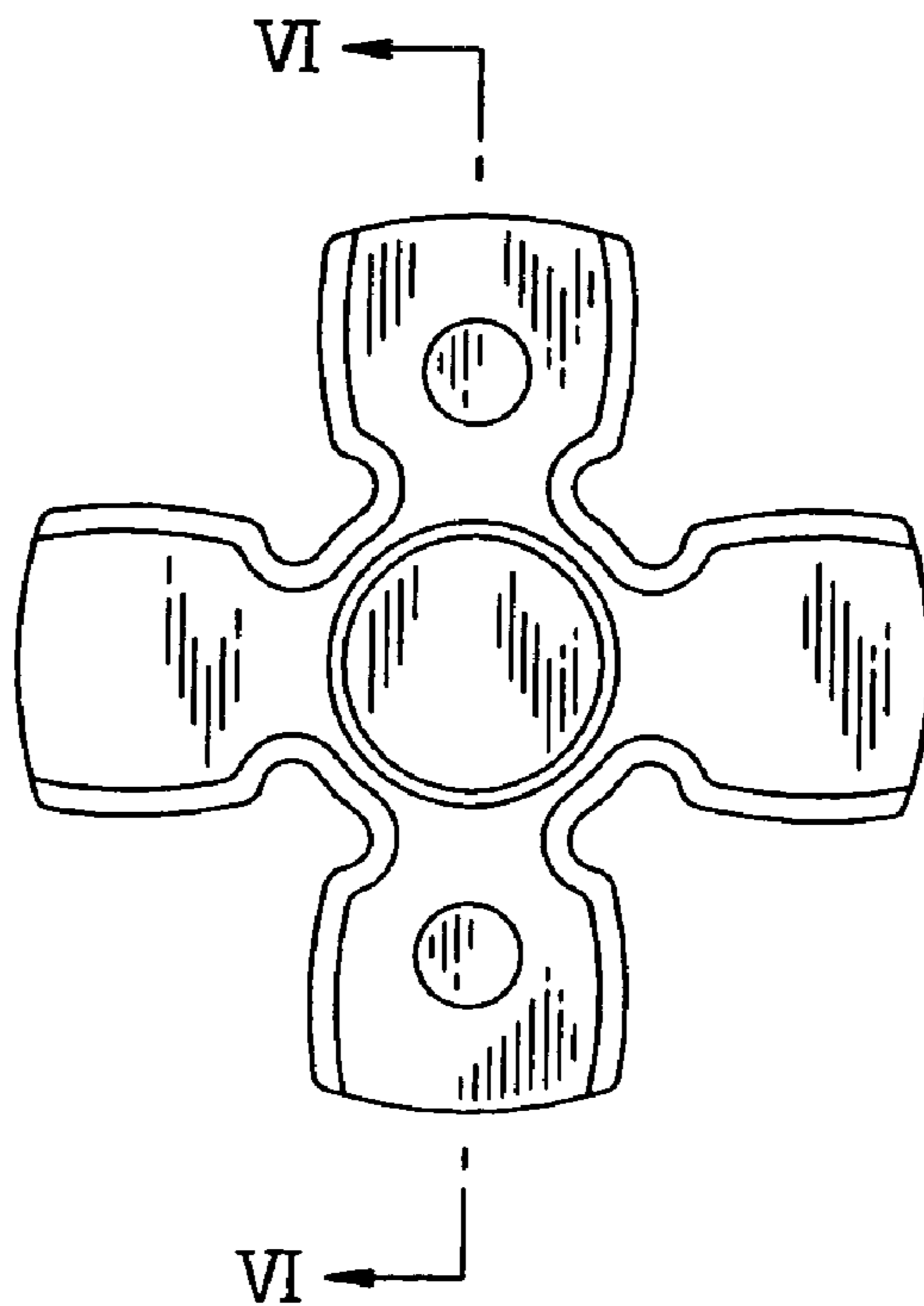
**1 Claim, 3 Drawing Sheets**



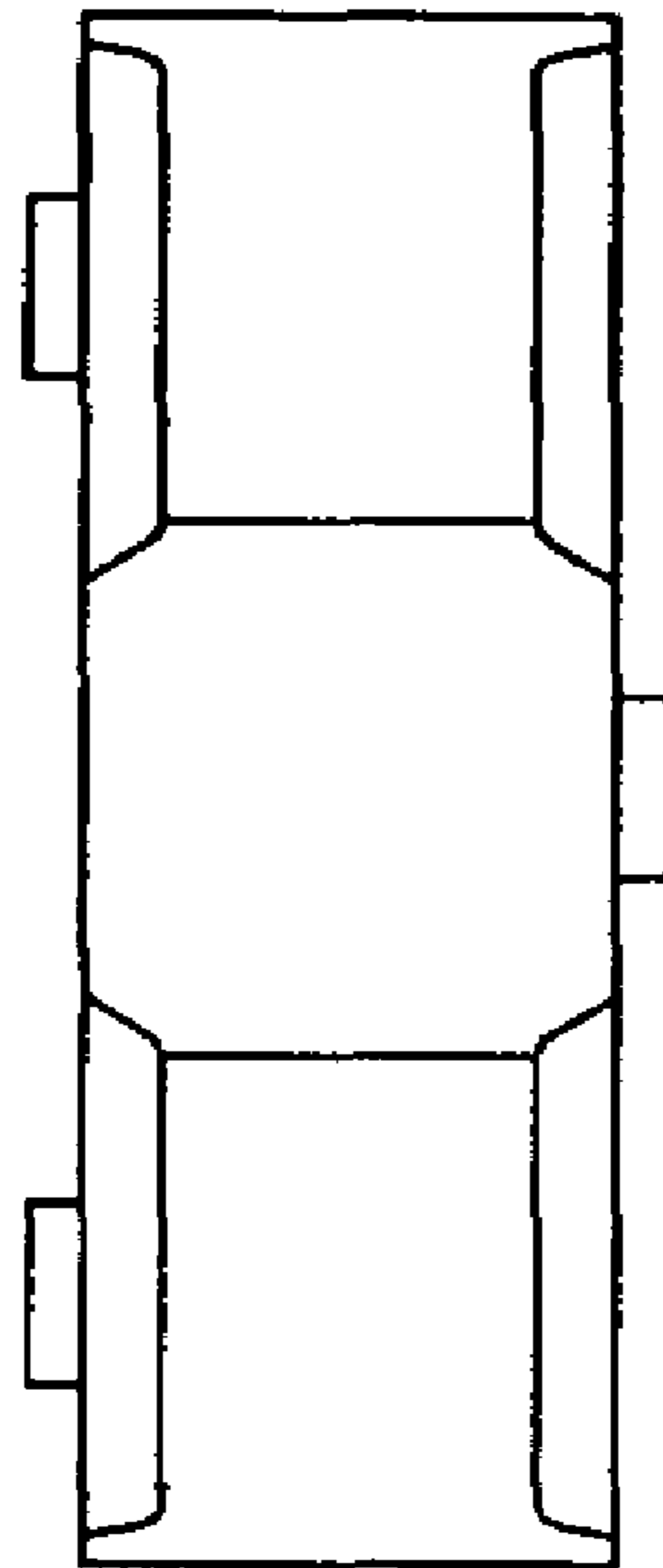
*Fig. 1*



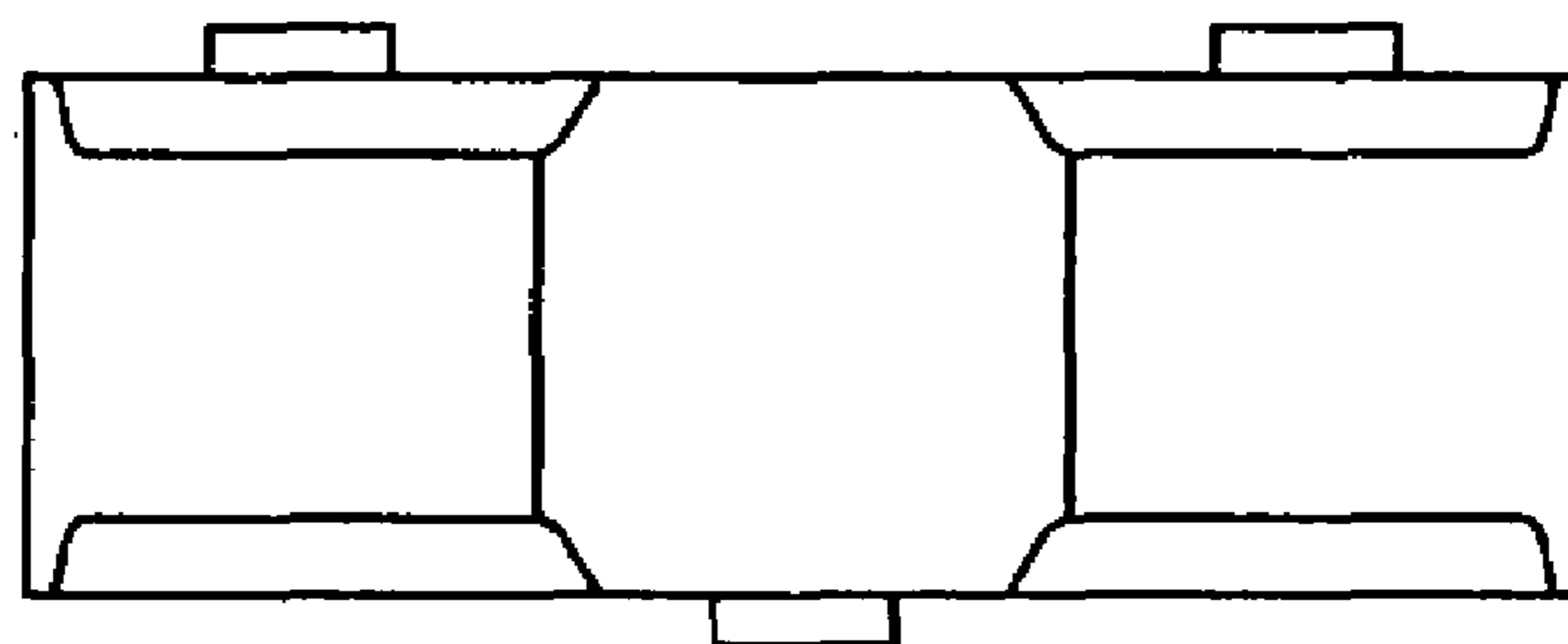
*Fig. 2*



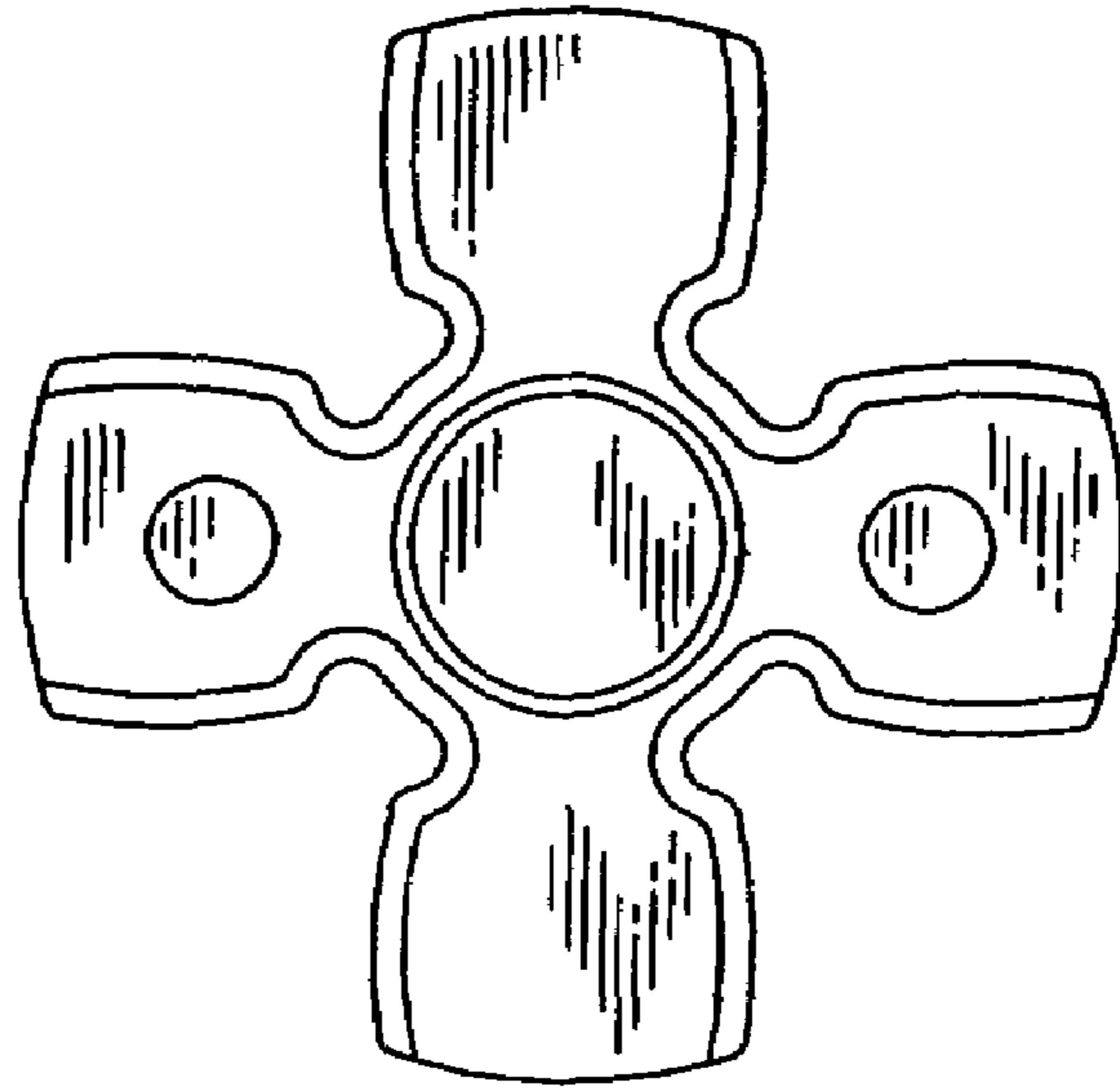
*Fig.3*



*Fig.4*



*Fig.5*



*Fig.6*

