



US00D563211S

(12) **United States Design Patent**
Ley

(10) **Patent No.:** **US D563,211 S**
(45) **Date of Patent:** **** *Mar. 4, 2008**

- (54) **TENON**
- (75) Inventor: **Duane Ley**, St. Cloud, MN (US)
- (73) Assignee: **Woodcraft Industries, Inc.**, St. Cloud, MN (US)
- (*) Notice: This patent is subject to a terminal disclaimer.
- (**) Term: **14 Years**
- (21) Appl. No.: **29/223,864**
- (22) Filed: **Feb. 18, 2005**

D387,969 S *	12/1997	Rabinovitz	D8/349
D402,183 S *	12/1998	Bellehumeur	D8/349
D434,969 S *	12/2000	Eggink	D8/354
D460,734 S *	7/2002	Carlson	D12/223
D462,602 S *	9/2002	Simonson et al.	D8/354
D463,258 S *	9/2002	Scherer et al.	D8/382
D488,054 S *	4/2004	Myers	D8/356

* cited by examiner

Primary Examiner—Holly H. Baynham

(57) **CLAIM**

The ornamental design for a tenon design, as shown and described.

DESCRIPTION

FIG. 1 is an upper perspective view of a tenon design showing my new design.

FIG. 2 is a left side view of a tenon design showing my new design.

FIG. 3 is a right view of a tenon design showing my new design.

FIG. 4 is a front view of a tenon design showing my new design.

FIG. 5 is a rear view of a tenon design showing my new design.

FIG. 6 is a top view of a tenon design showing my new design; and,

FIG. 7 is a bottom view of a tenon design showing my new design.

The broken lines are for illustrative purposes only and forms no part of the claimed design.

1 Claim, 7 Drawing Sheets

Related U.S. Application Data

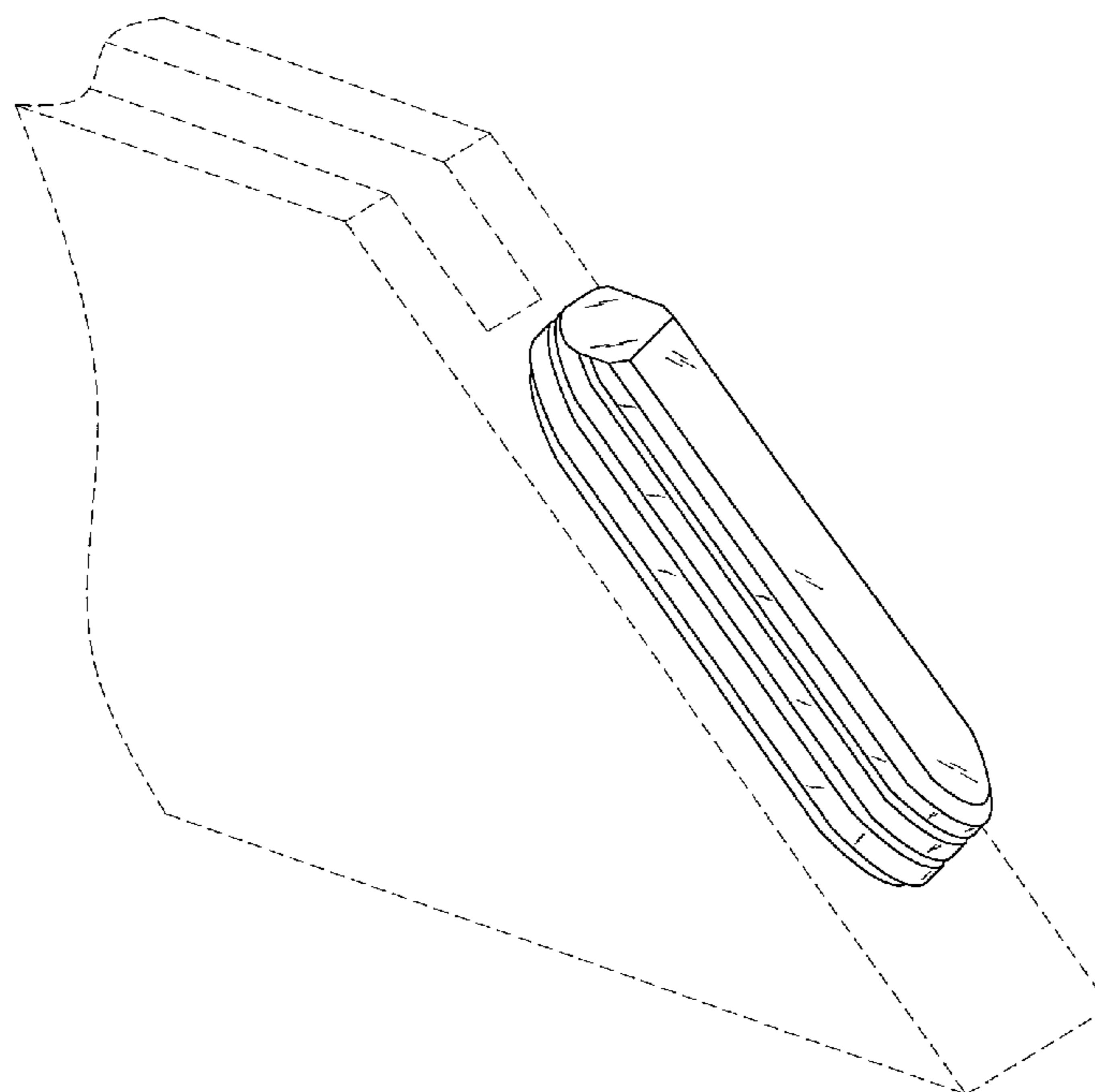
- (63) Continuation-in-part of application No. 10/104,189, filed on Mar. 22, 2002, now abandoned, and a continuation-in-part of application No. 10/687,345, filed on Oct. 14, 2003, now abandoned.

- (51) **LOC (8) Cl.** **08-08**
 - (52) **U.S. Cl.** **D8/382**
 - (58) **Field of Classification Search** D8/349, D8/382, 354, 356, 350, 355, 499; 40/709, 40/605, 707, 710; D12/223; 52/587.1, 240, 52/483.1; 248/224.8, 200, 205.1, 229.25; 312/114, 140
- See application file for complete search history.

(56) **References Cited**

U.S. PATENT DOCUMENTS

4,738,040 A *	4/1988	Neuhold et al.	40/709
5,179,810 A *	1/1993	Gename et al.	52/240
5,546,720 A *	8/1996	LaBruzza	52/587.1



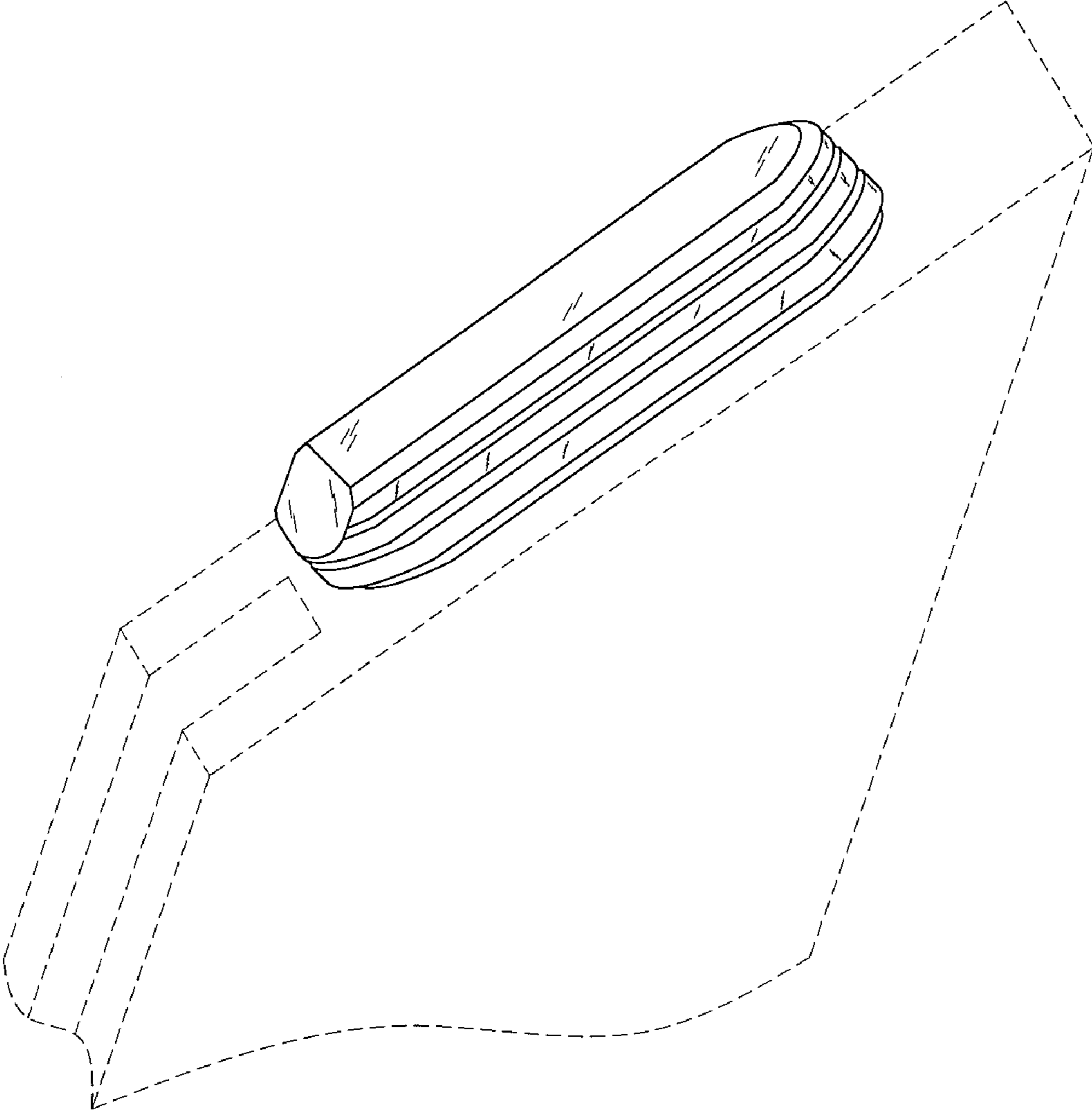


FIG. 1

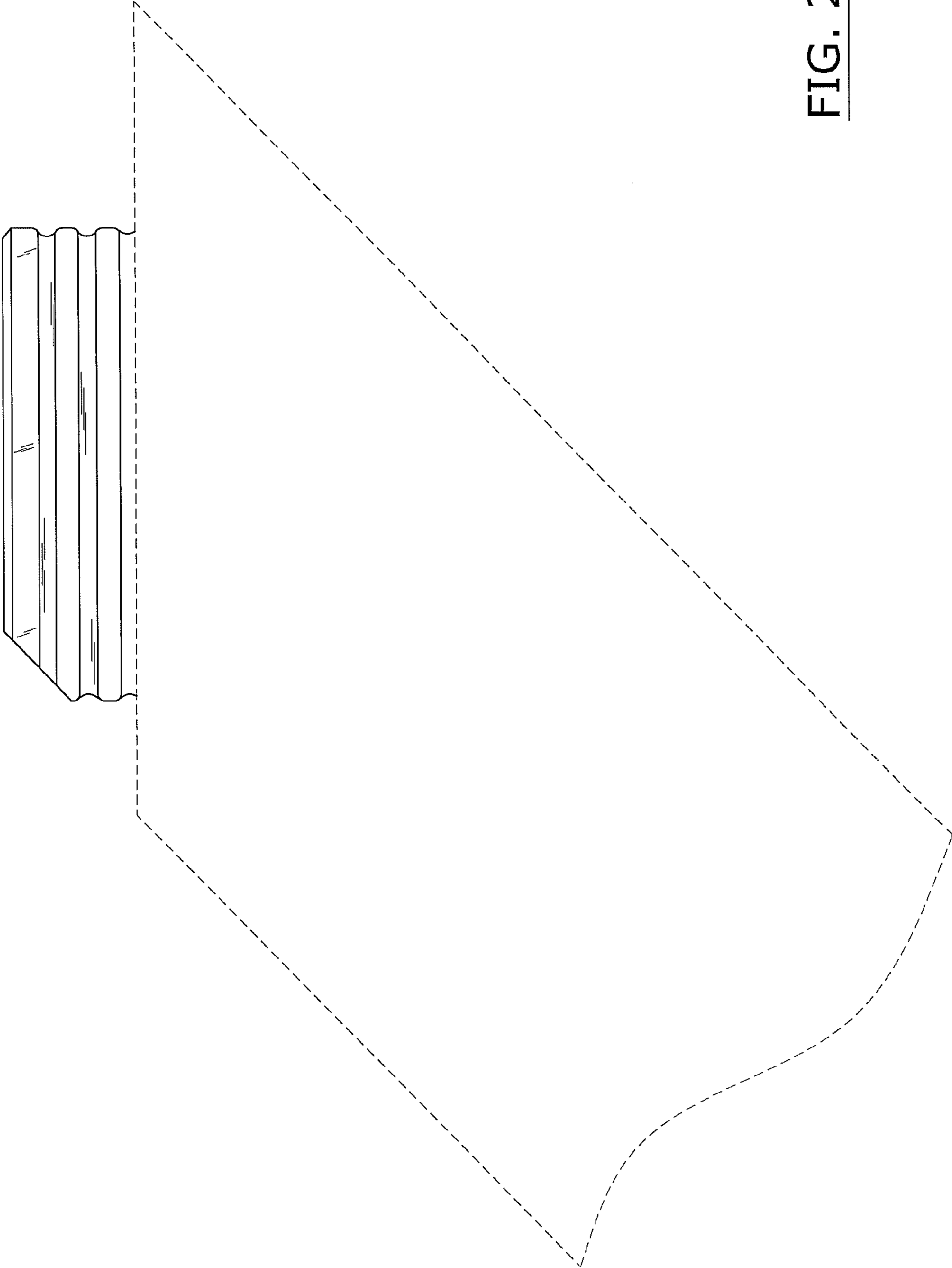


FIG. 2

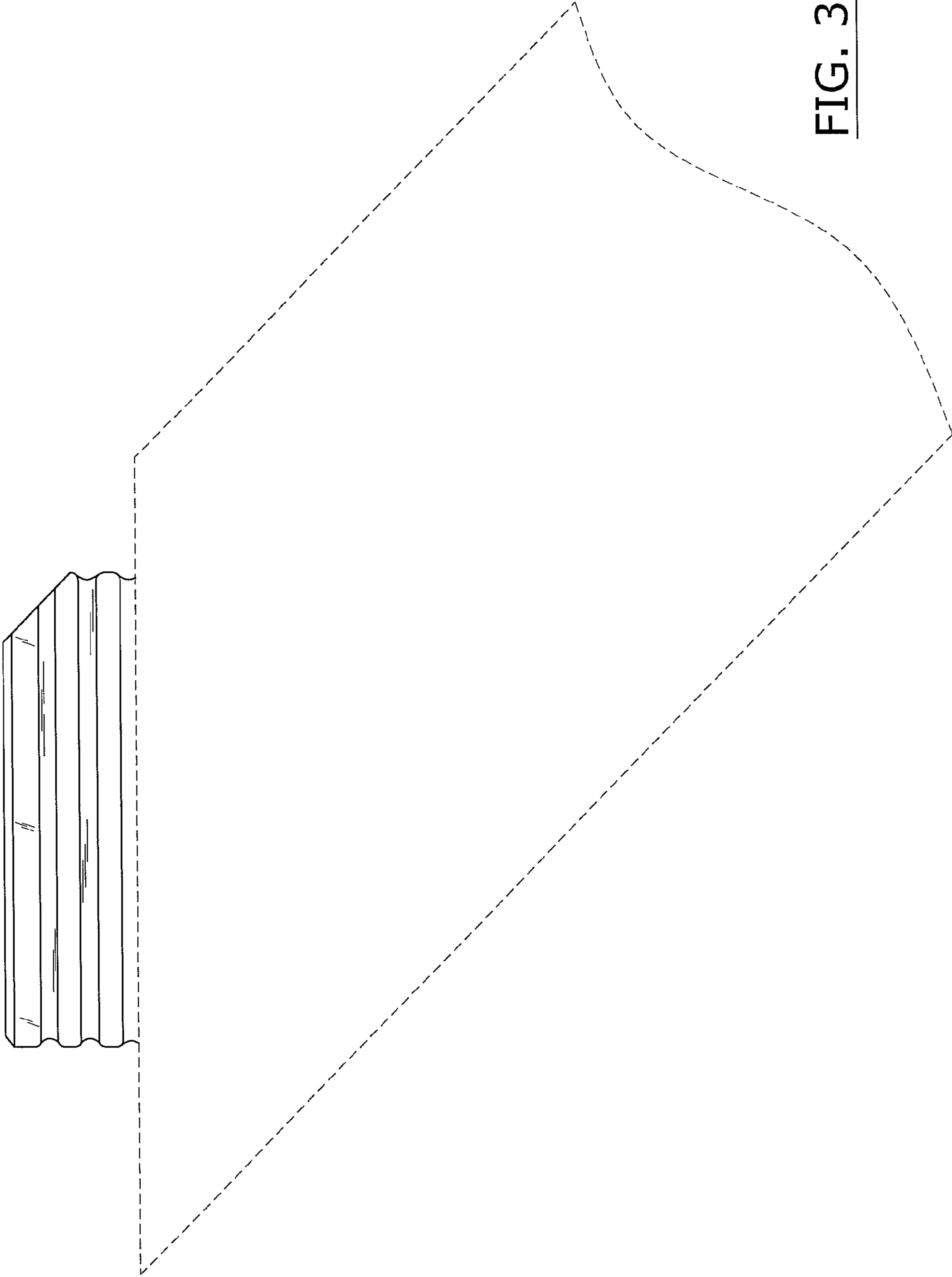
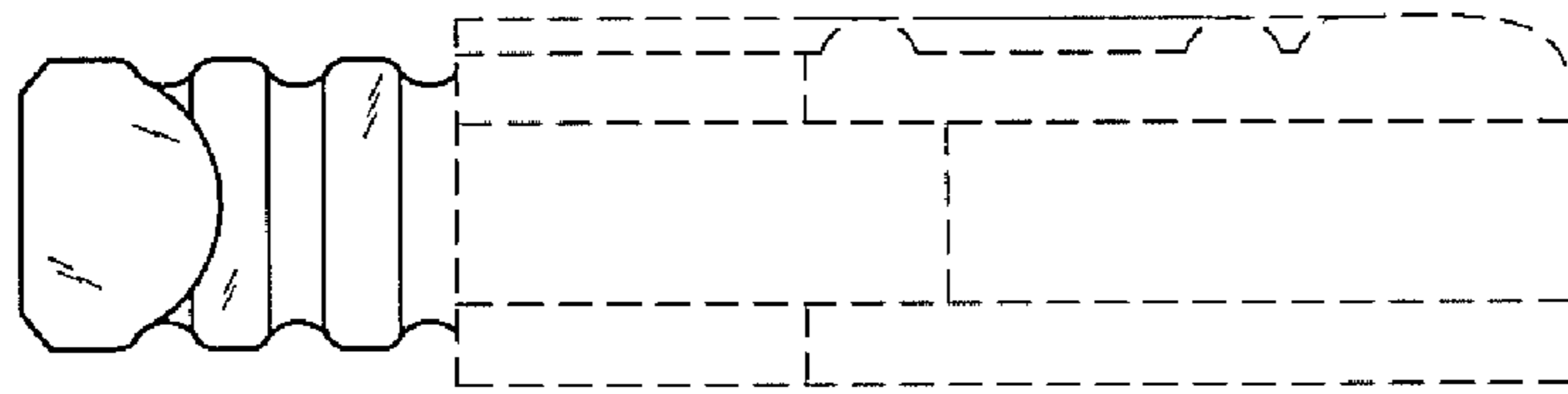


FIG. 3



FIG. 4

FIG. 5



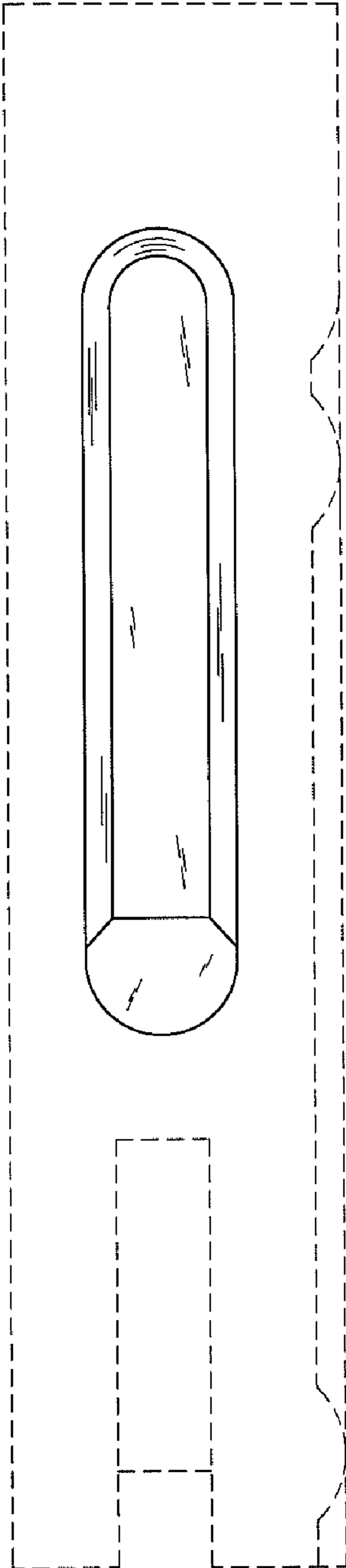


FIG. 6

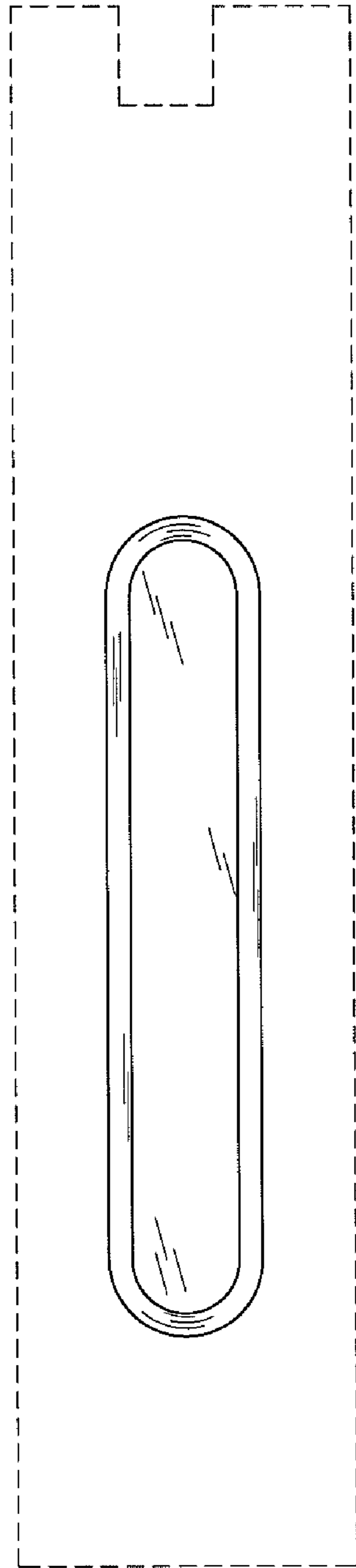


FIG. 7