



US00D563210S

(12) **United States Design Patent**
Rodder

(10) **Patent No.:** **US D563,210 S**
(45) **Date of Patent:** **** Mar. 4, 2008**

- (54) **ASYMMETRIC HANGER FOR THE SUSPENSION OF OBJECTS**
- (75) Inventor: **Mark S. Rodder**, Dallas, TX (US)
- (73) Assignee: **Rodder Technologies, Inc.**, Dallas, TX (US)
- (**) Term: **14 Years**
- (21) Appl. No.: **29/277,995**
- (22) Filed: **Mar. 15, 2007**

5,328,140 A	7/1994	Wong	
5,482,244 A	1/1996	Hickey	
5,507,462 A	4/1996	Hickey	
5,685,516 A *	11/1997	Simmons	248/489
5,791,625 A *	8/1998	Orser	248/495
5,803,425 A	9/1998	McCoy, II	
D401,838 S	12/1998	Beauchemin	
D466,398 S	12/2002	DeLine	
D474,106 S	5/2003	Weck et al.	
6,629,680 B2	10/2003	Weck et al.	
6,666,425 B1	12/2003	Ferguson	
6,758,455 B2	7/2004	Weck et al.	
D515,404 S	2/2006	Hardina	

* cited by examiner

Related U.S. Application Data

- (63) Continuation-in-part of application No. 29/259,967, filed on May 18, 2006, and a continuation-in-part of application No. 29/260,083, filed on May 18, 2006, now Pat. No. Des. 556,028.

Primary Examiner—Holly H. Baynham

(74) *Attorney, Agent, or Firm*—Smith IP Services, P.C.

- (51) **LOC (8) Cl.** **08-05**
 - (52) **U.S. Cl.** **D8/373**
 - (58) **Field of Classification Search** D8/373;
248/475.1, 489, 495-498
- See application file for complete search history.

(57) **CLAIM**

I claim the ornamental design for an asymmetric hanger for the suspension of objects, as shown and described.

(56) **References Cited**

U.S. PATENT DOCUMENTS

2,330,373 A	9/1943	Moore	
2,384,478 A	9/1945	Lapeyre	
3,063,669 A	11/1962	Bell	
3,146,981 A *	9/1964	Wheeler	248/498
3,982,719 A	9/1976	Kilborne	
4,026,510 A	5/1977	Holmes	
D251,286 S	3/1979	Cook	
D252,975 S	9/1979	Yensh	
4,610,419 A	9/1986	Swanson	
D294,309 S	2/1988	Tegner	
D326,603 S	6/1992	Rogers	
5,178,355 A	1/1993	Herzig	

DESCRIPTION

FIG. 1 shows an isometric view of the new design for a hanger apparatus;

FIG. 2 shows a first side view of the new design;

FIG. 3 shows a second side view of the new design;

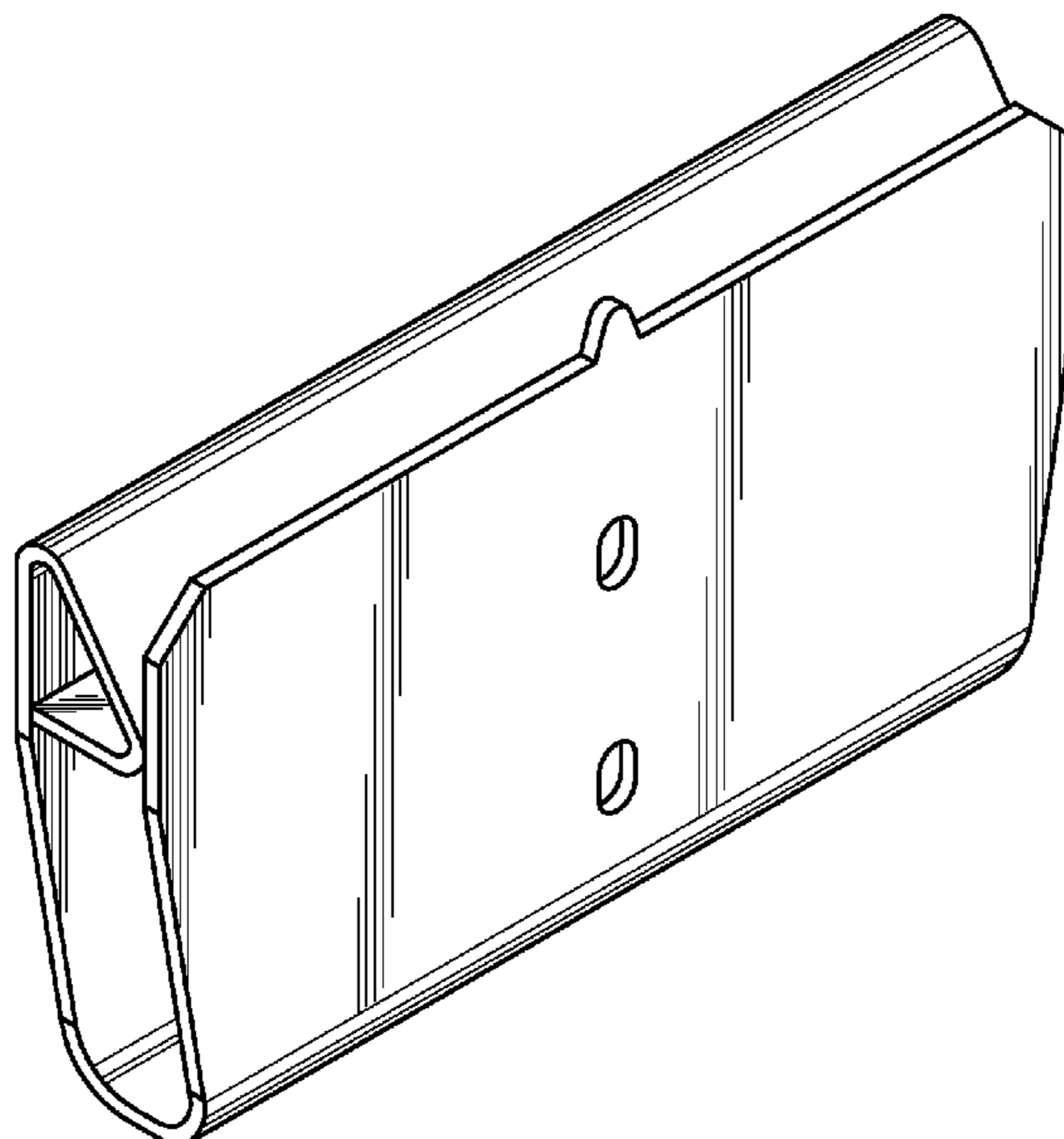
FIG. 4 shows a third side view of the new design;

FIG. 5 shows a cross-sectional view of the new design, taken along line 5—5 of FIG. 3; and,

FIG. 6 shows a fourth side view of the new design in use, with the first side adjacent a wall, and with multiple fasteners securing the hanger apparatus to the wall.

The broken line showing of a fragmented wall and fasteners is included for the purpose of illustrating environment and forms no part of the claimed design.

1 Claim, 2 Drawing Sheets



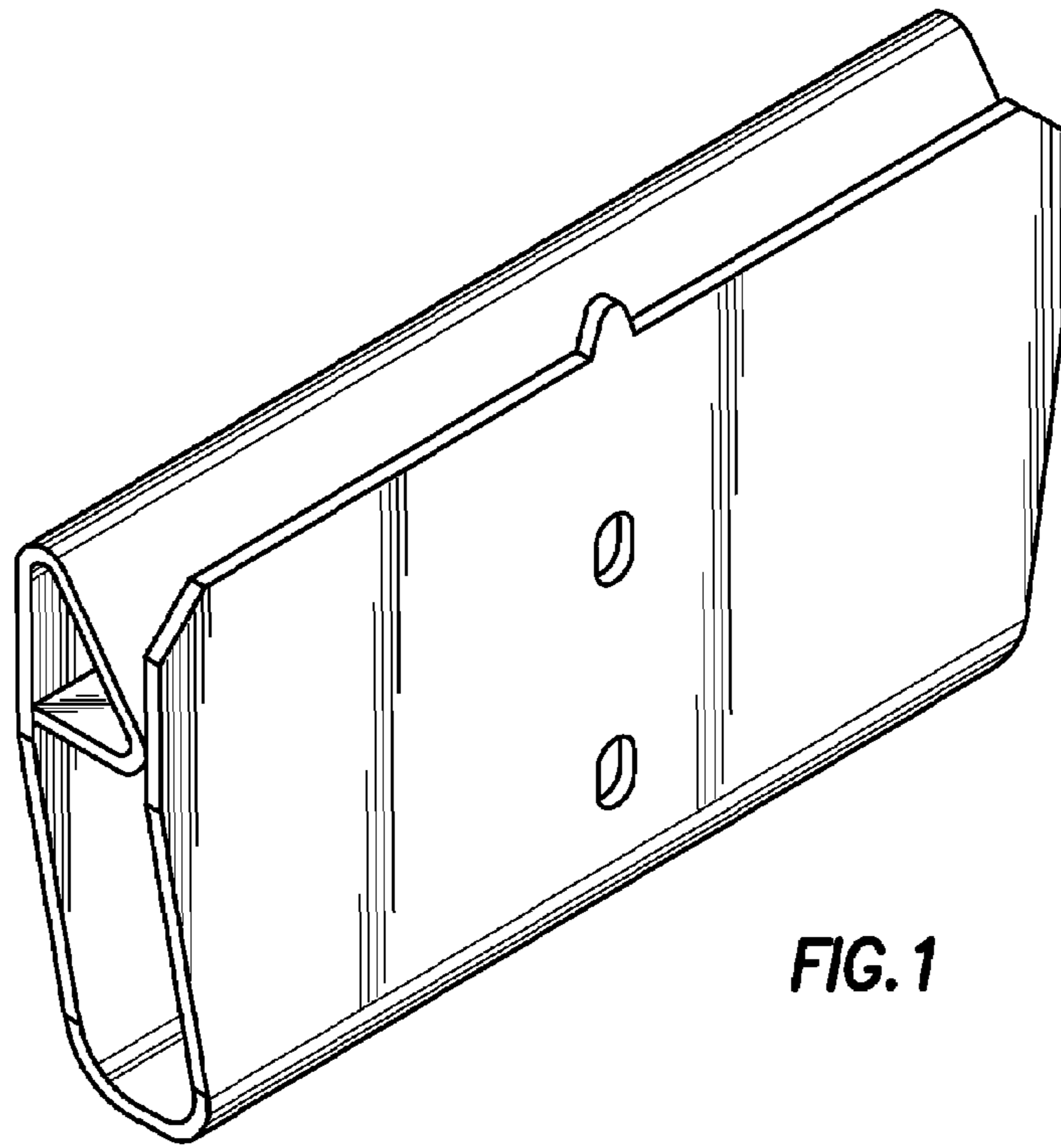


FIG. 1

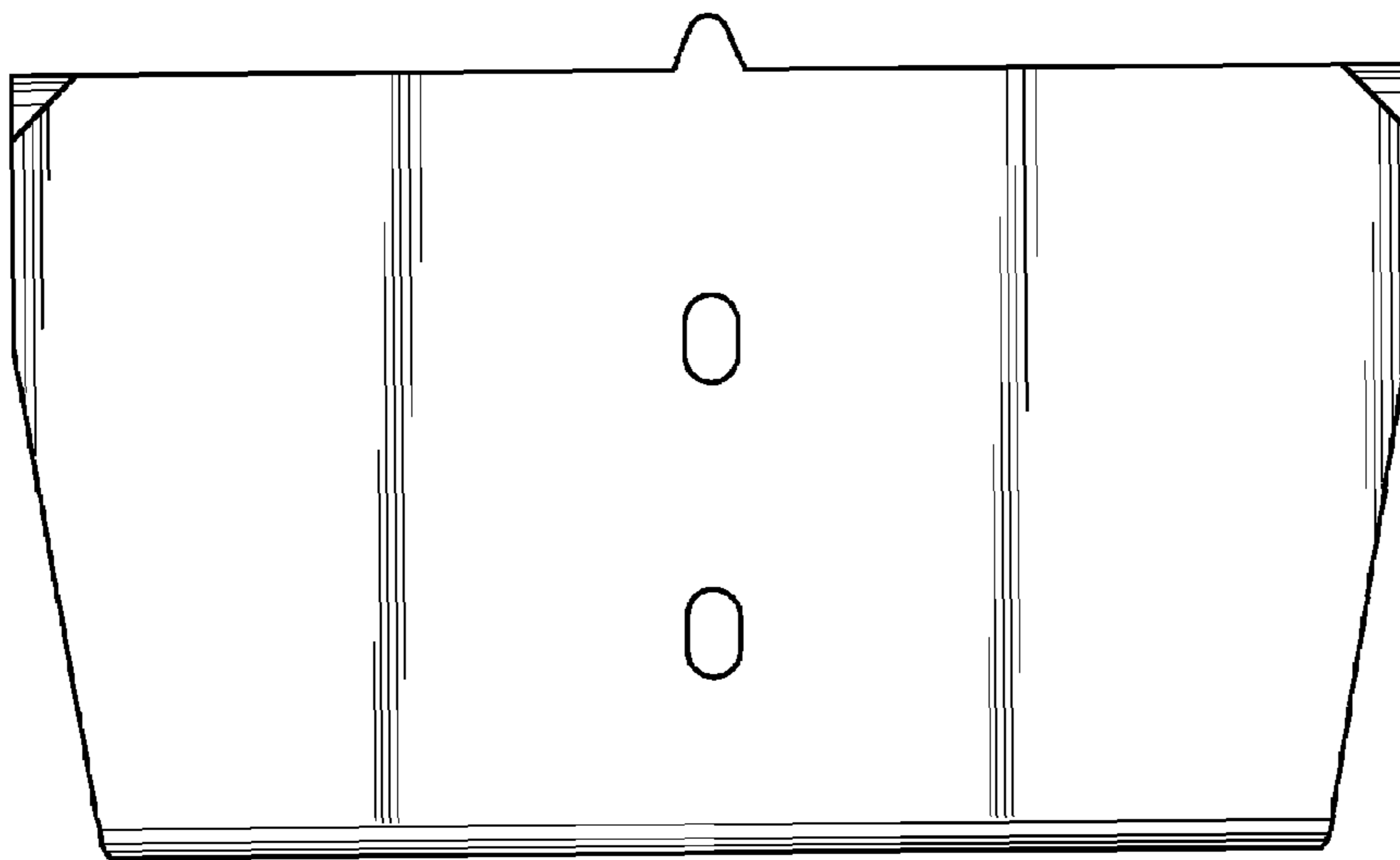
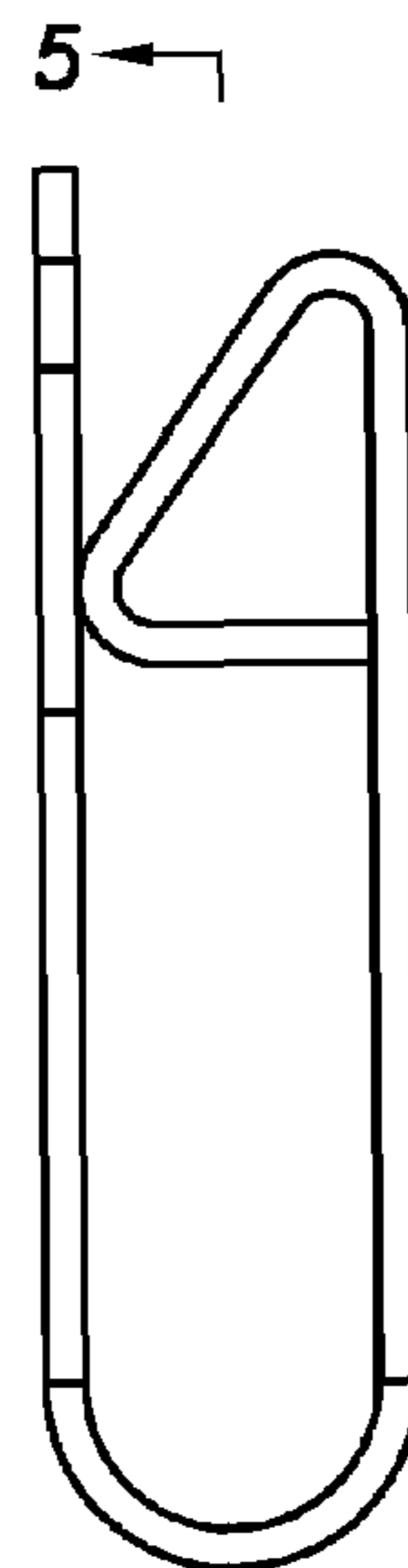


FIG. 2



5

FIG. 3

FIG. 4

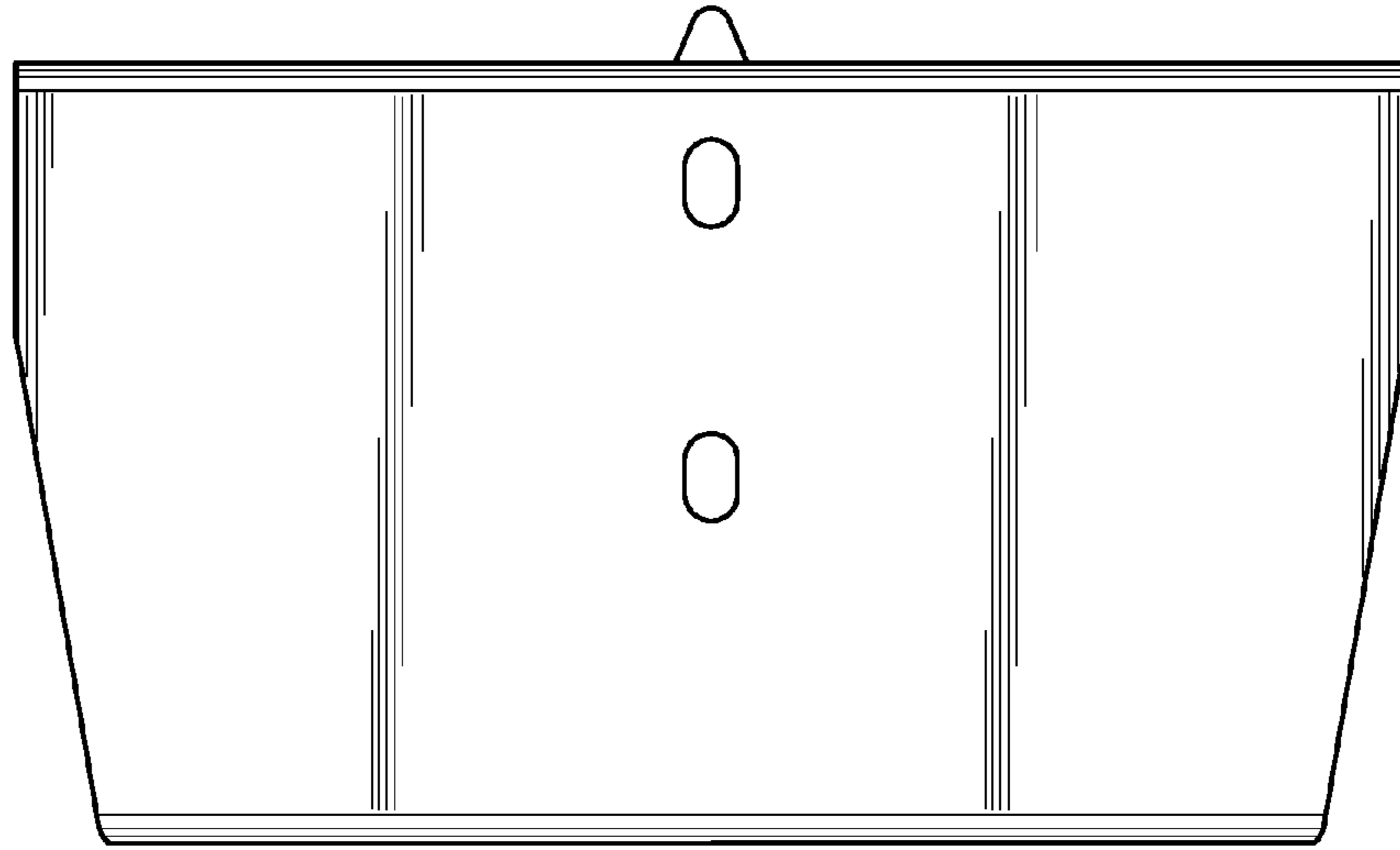


FIG. 5

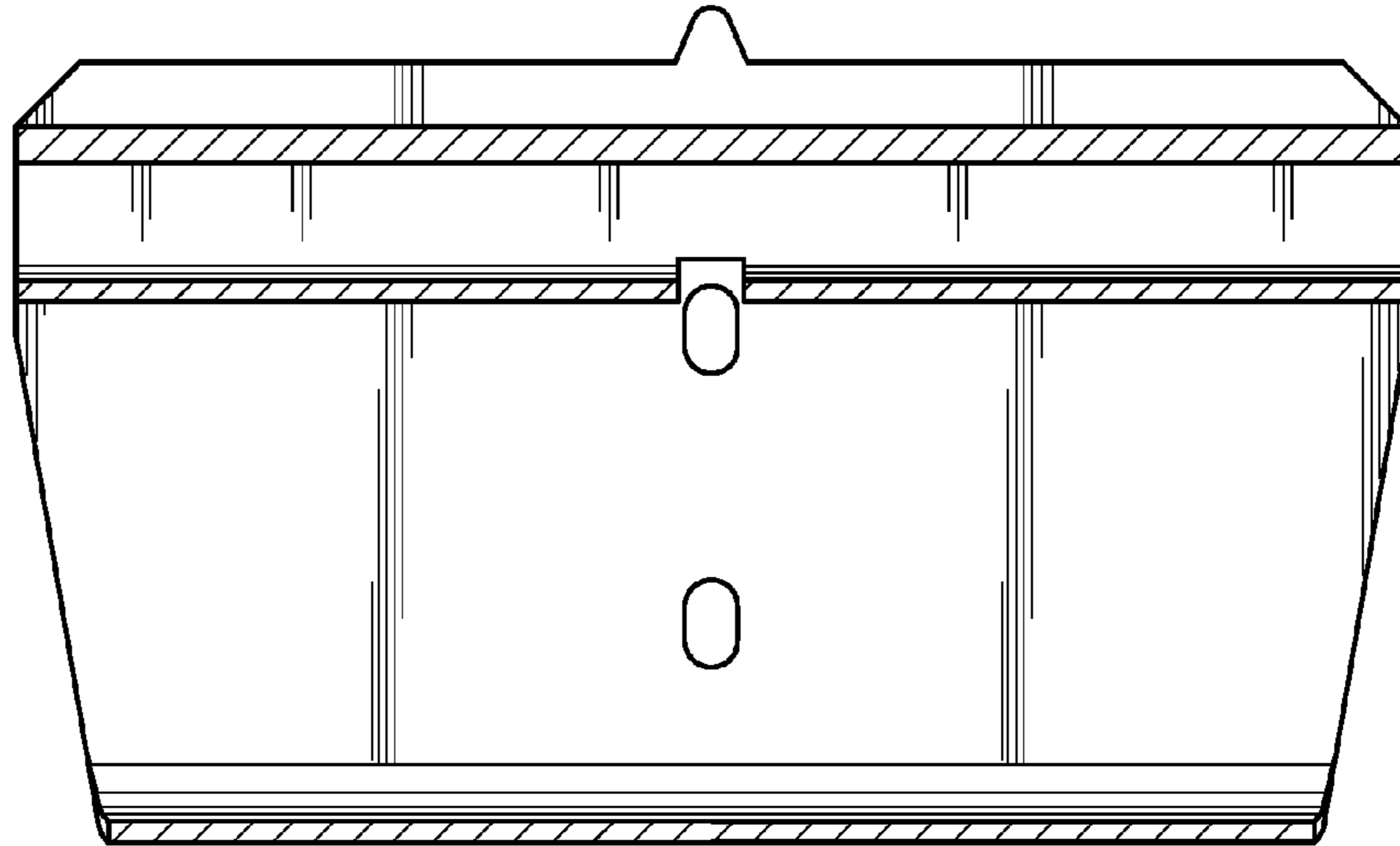


FIG. 6

