

US00D563209S

(12) **United States Design Patent**
Samelson

(10) **Patent No.:** **US D563,209 S**
(45) **Date of Patent:** **** Mar. 4, 2008**

(54) **DISPLAY HANGER FOR A SHOWER CURTAIN ROD**

7,131,535 B2* 11/2006 Hernandez et al. 206/349
2005/0230587 A1* 10/2005 Yang 248/314

(75) Inventor: **David Samelson**, New York, NY (US)

* cited by examiner

(73) Assignee: **Ex-Cell Home Fashions, Inc.**, New York, NY (US)

Primary Examiner—Holly H. Baynham
(74) *Attorney, Agent, or Firm*—Alston & Bird LLP

(**) Term: **14 Years**

(57) **CLAIM**

(21) Appl. No.: **29/273,341**

The ornamental design for a display hanger for a shower curtain rod, as shown and described.

(22) Filed: **Mar. 2, 2007**

DESCRIPTION

(51) **LOC (8) Cl.** **08-05**

(52) **U.S. Cl.** **D8/373**

(58) **Field of Classification Search** D8/373;
D6/566, 410; 206/349; 211/70.5; 248/317
See application file for complete search history.

FIG. 1 is an exploded isometric environmental view of my invention, showing how the hanger engages a shower curtain rod and a display, both of which are shown in dotted lines for illustrative purposes only and form no part of the claimed design;

(56) **References Cited**

U.S. PATENT DOCUMENTS

D293,297 S *	12/1987	Wood	D8/373
D313,550 S *	1/1991	Lorincz	D8/373
5,484,056 A *	1/1996	Wood	206/349
6,672,555 B2 *	1/2004	Chang	248/317
6,883,664 B2 *	4/2005	Lee	206/349
7,124,900 B2 *	10/2006	Hu	211/70.6

FIG. 2 is an elevation view of the front of my invention;

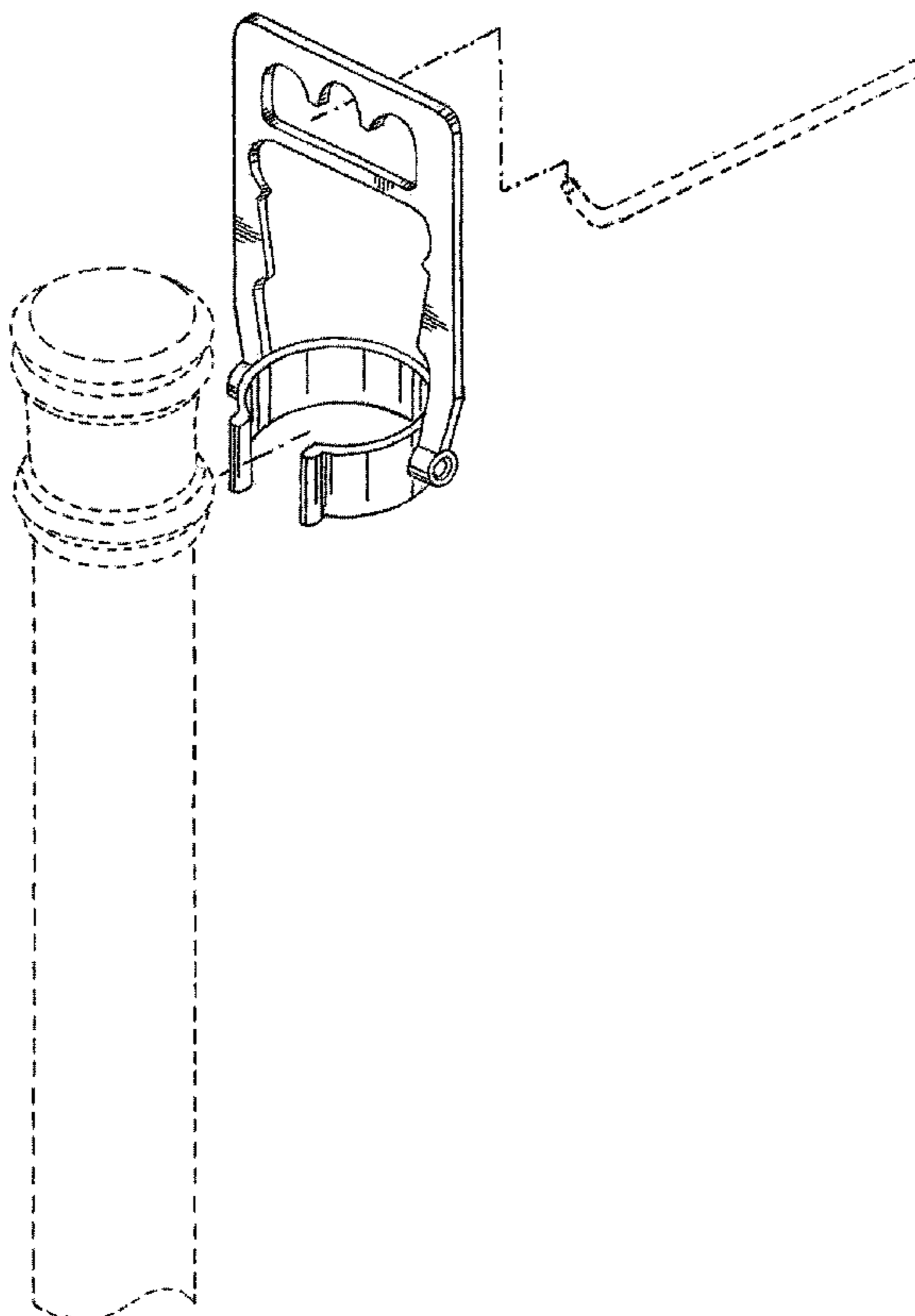
FIG. 3 is an elevation view of the back of my invention;

FIG. 4 is an elevation view of one side of my invention, the other side being the mirror image thereof;

FIG. 5 is a plan view of the top of my invention; and,

FIG. 6 is a plan view of the bottom of my invention.

1 Claim, 3 Drawing Sheets



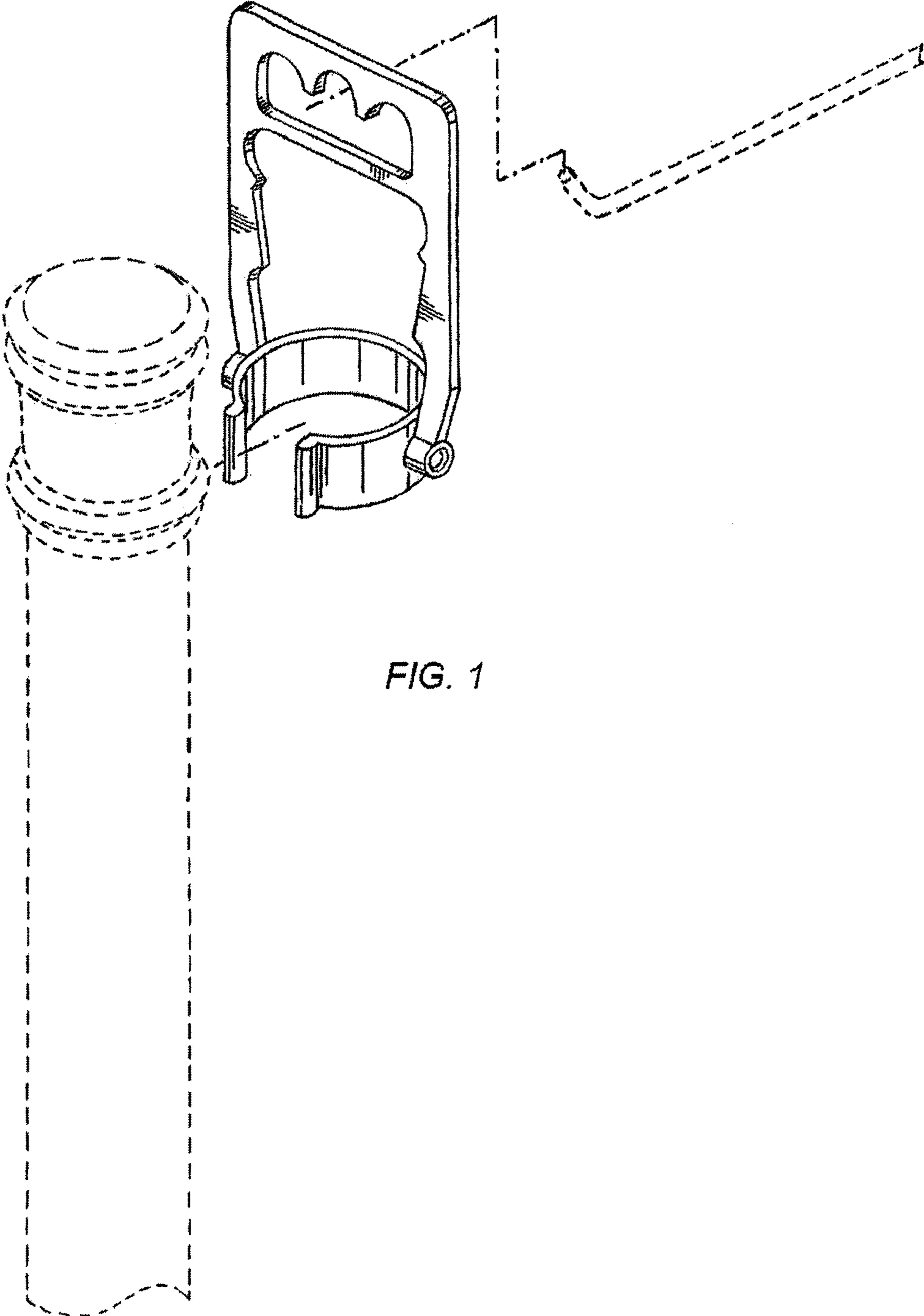


FIG. 1

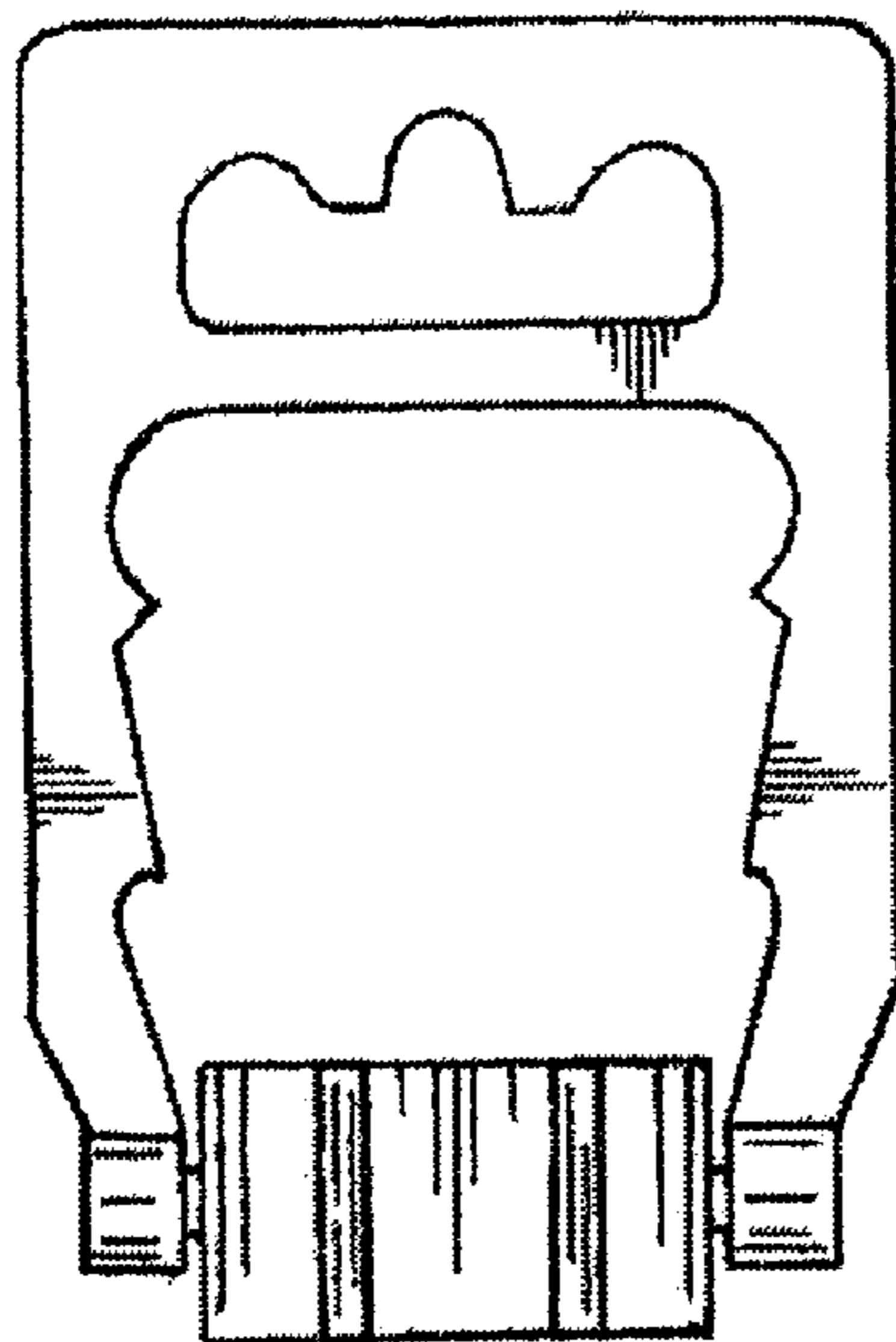


FIG. 2

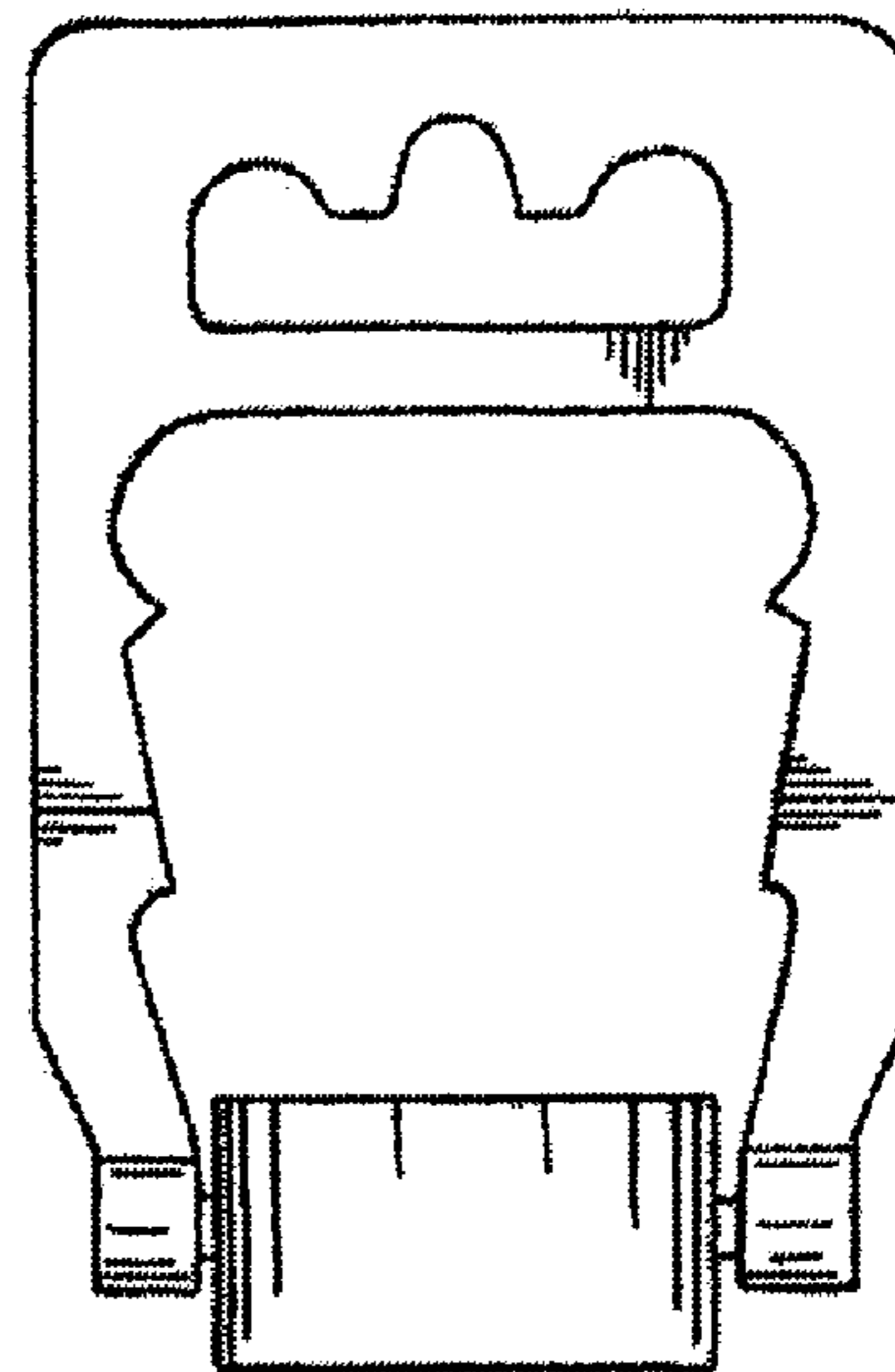


FIG. 3

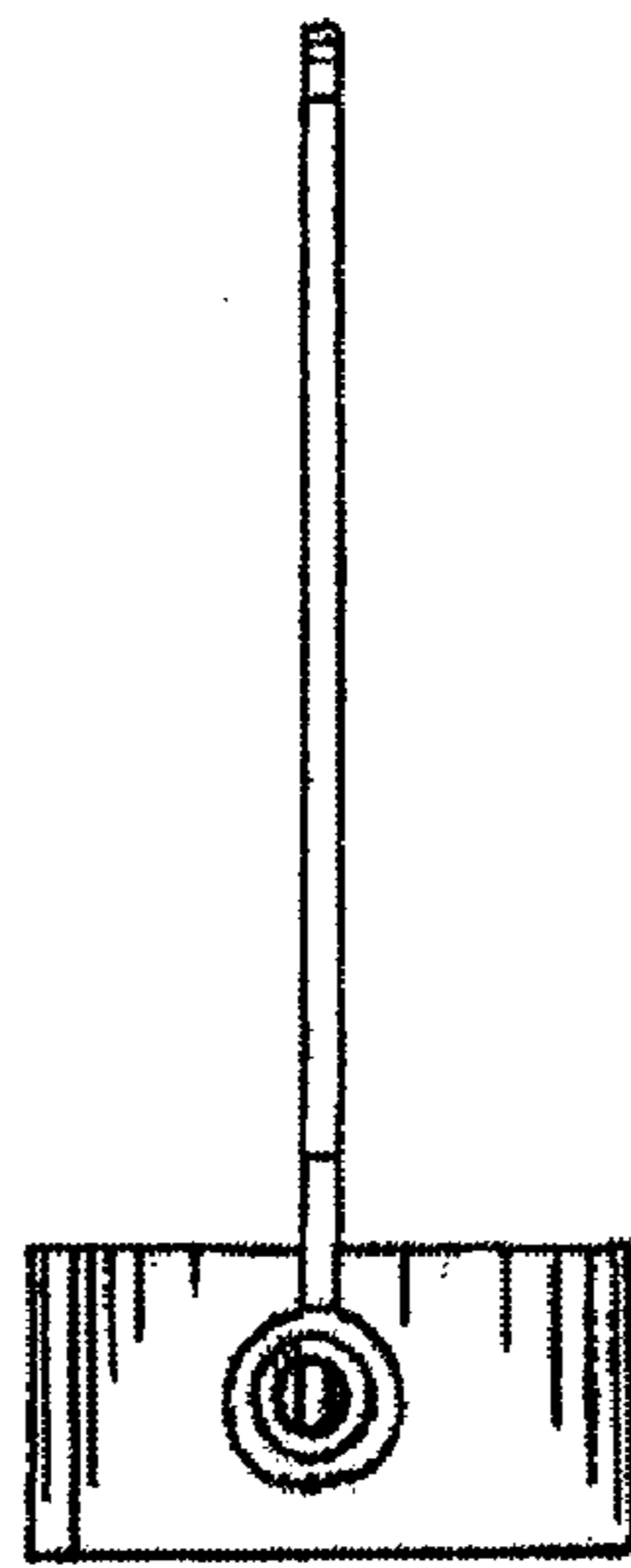


FIG. 4

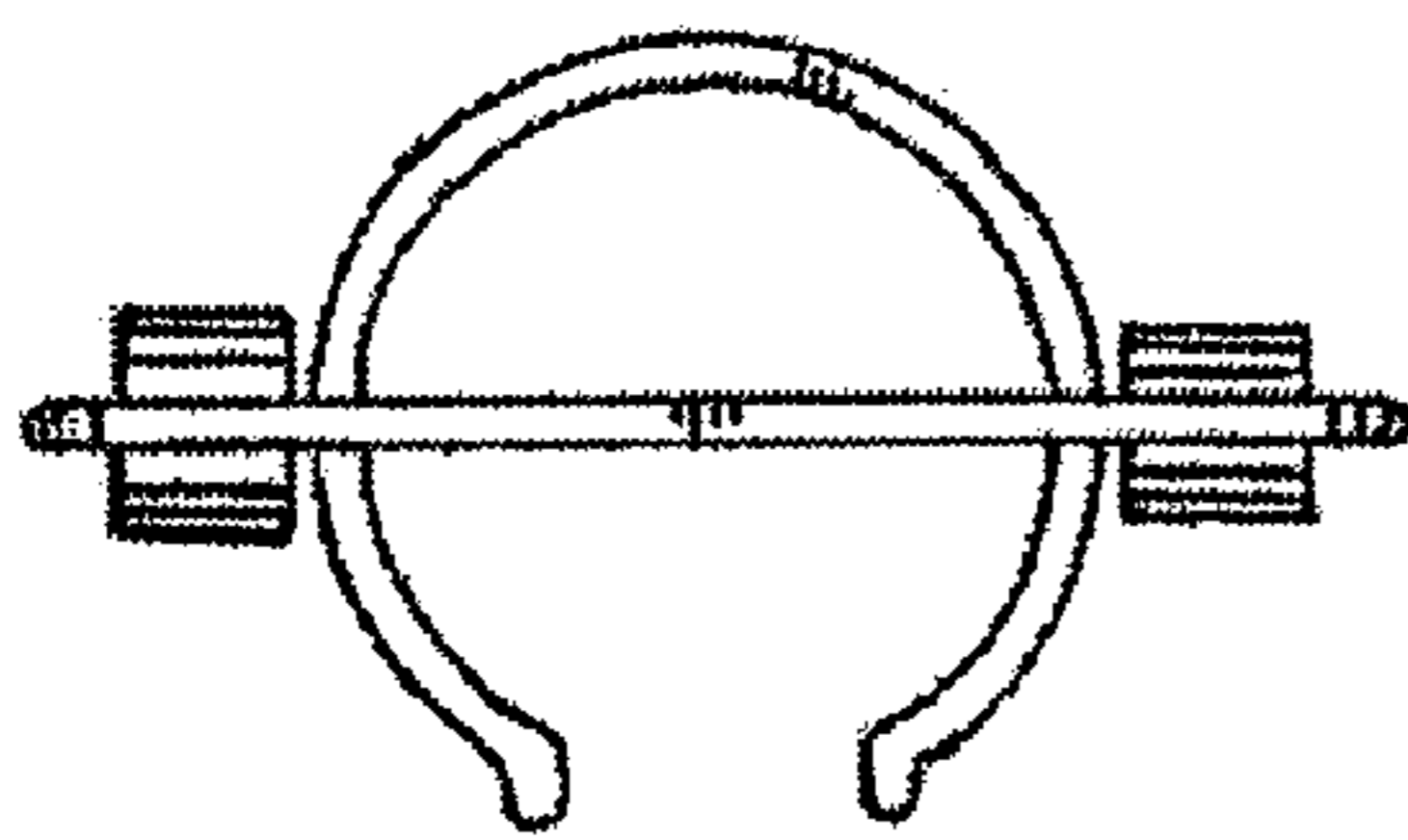


FIG. 5

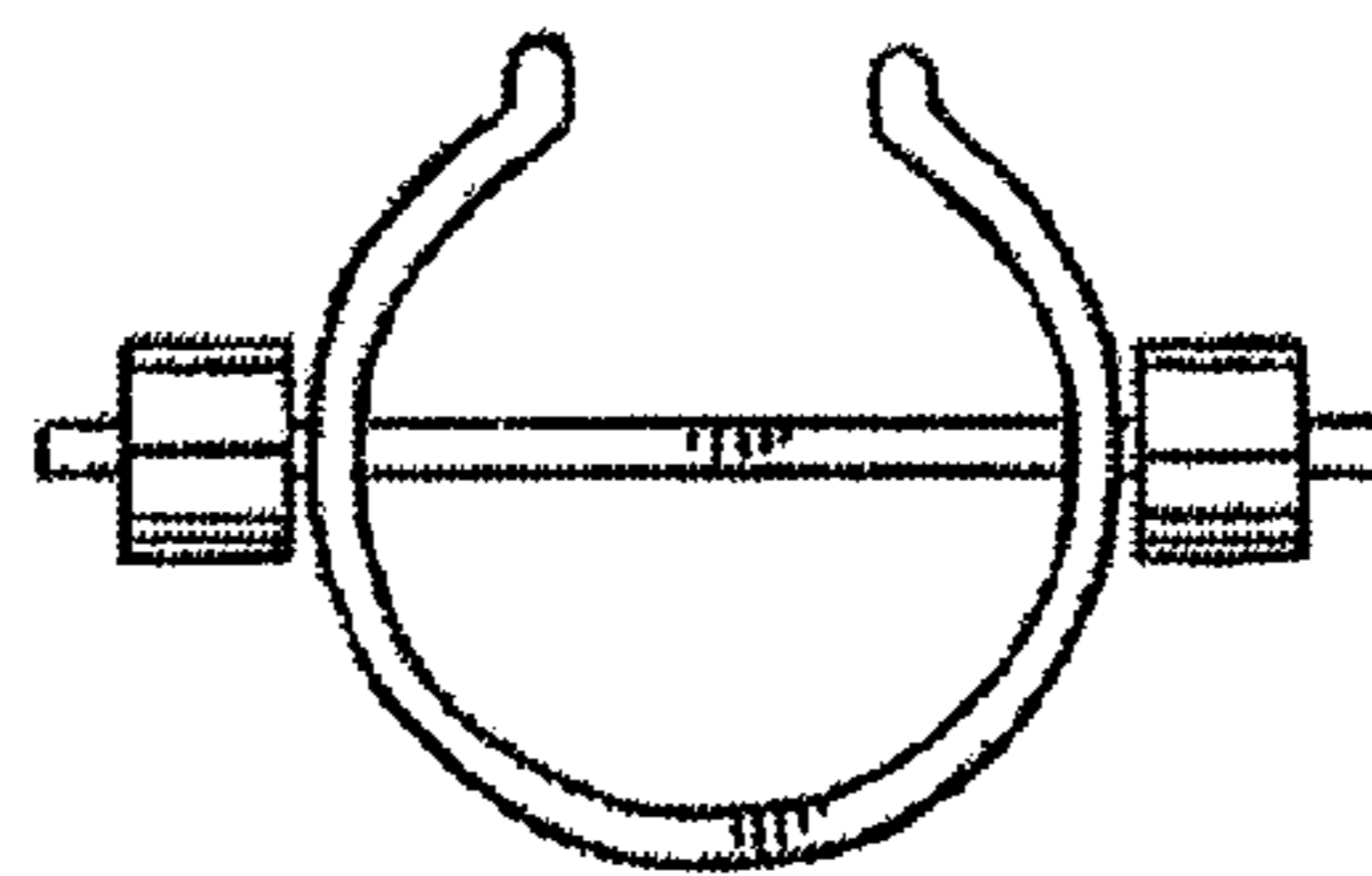


FIG. 6