

US00D563206S

(12) **United States Design Patent**
Bakker et al.

(10) **Patent No.:** **US D563,206 S**
(45) **Date of Patent:** **** Mar. 4, 2008**

(54) **GROMMET FOR AN OFFICE PARTITION
PANEL**

(75) Inventors: **Mitchell Bakker**, Holland, MI (US);
Timothy T. Murphy, Saugatuck, MI
(US)

(73) Assignee: **Kimball International, Inc.**, Jasper, IN
(US)

(**) Term: **14 Years**

(21) Appl. No.: **29/247,251**

(22) Filed: **Jun. 8, 2006**

(51) **LOC (8) Cl.** **08-05**

(52) **U.S. Cl.** **D8/356**

(58) **Field of Classification Search** D8/105,
D8/107, 333, 349, 354, 356, 358, 367, 373,
D8/382, 383, 394-396; D23/261; D26/38;
24/197, 561; 174/153 G; 242/400.1, 405.1,
242/405.2, 600, 916; 248/65, 74.1-74.4,
248/214, 215, 229.26, 201, 302, 204, 316.7,
248/316.8; 439/501

See application file for complete search history.

(56) **References Cited**

U.S. PATENT DOCUMENTS

713,537	A *	11/1902	Treadwell	403/282
1,334,163	A *	3/1920	Neuberth	24/713.7
2,329,529	A *	9/1943	Gwinn, Jr. et al.	254/389
2,823,744	A	2/1958	Garris		
3,029,058	A *	4/1962	Himler	248/133
3,197,556	A *	7/1965	Simon	174/153 G
D280,363	S *	9/1985	Wisecup, Jr.	D6/301
D285,044	S *	8/1986	Mockett	D8/354
4,839,937	A *	6/1989	Oikawa et al.	174/153 G
4,843,675	A	7/1989	Diamantis		
D313,340	S *	1/1991	Stathis et al.	D8/356

D318,412	S *	7/1991	Williams	D8/356
D347,567	S *	6/1994	Duffy	D8/354
D360,820	S *	8/1995	Haase	D8/356
D361,711	S *	8/1995	Plumley	D8/356
D364,084	S *	11/1995	Yaich	D8/356
5,765,932	A *	6/1998	Domina et al.	312/223.6
D403,949	S *	1/1999	Nakamura	D8/356
D431,913	S	10/2000	Rowan		
D442,064	S *	5/2001	Chung	D8/356
D442,398	S	5/2001	Waisbrod		
6,393,658	B1 *	5/2002	Chong	16/2.2
D479,793	S *	9/2003	Jones	D8/349
D494,043	S *	8/2004	Neil	D8/356
D550,545	S *	9/2007	Ernst et al.	D8/373

* cited by examiner

Primary Examiner—T. Chase Nelson

Assistant Examiner—Karen Acker

(74) *Attorney, Agent, or Firm*—Baker & Daniels LLP

(57) **CLAIM**

The ornamental design for a grommet for an office partition panel, as shown and described.

DESCRIPTION

FIG. 1 is a front perspective view of a grommet for an office partition panel according to my new design;

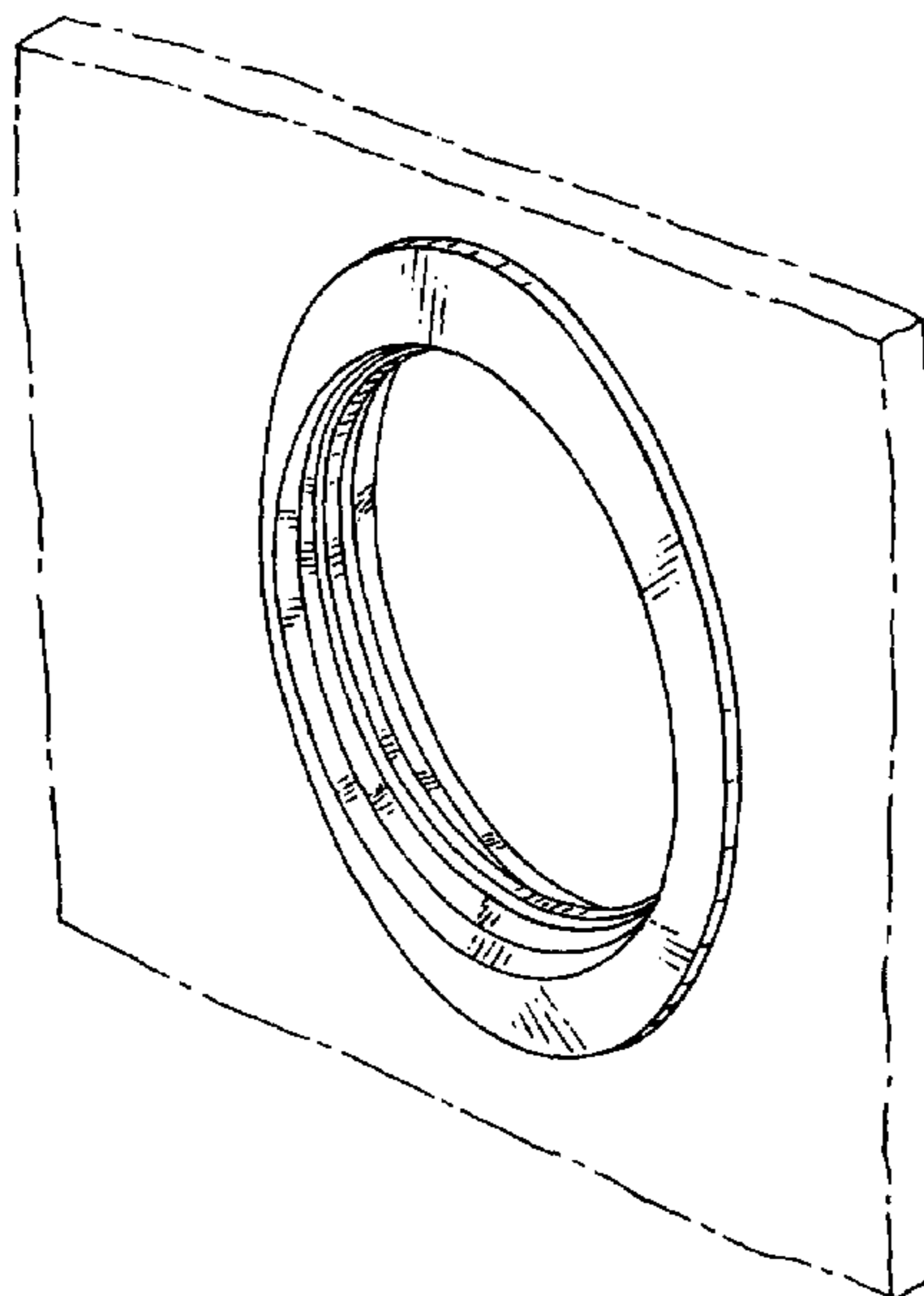
FIG. 2 is a front/rear view thereof, wherein the front and rear views are identical;

FIG. 3 is a sectional view thereof, taken along line 3—3 of FIG. 2; and,

FIG. 4 is a sectional view thereof, taken along line 4—4 of FIG. 2.

The environmental structure shown in dashed lines forms no part of the claimed design.

1 Claim, 2 Drawing Sheets



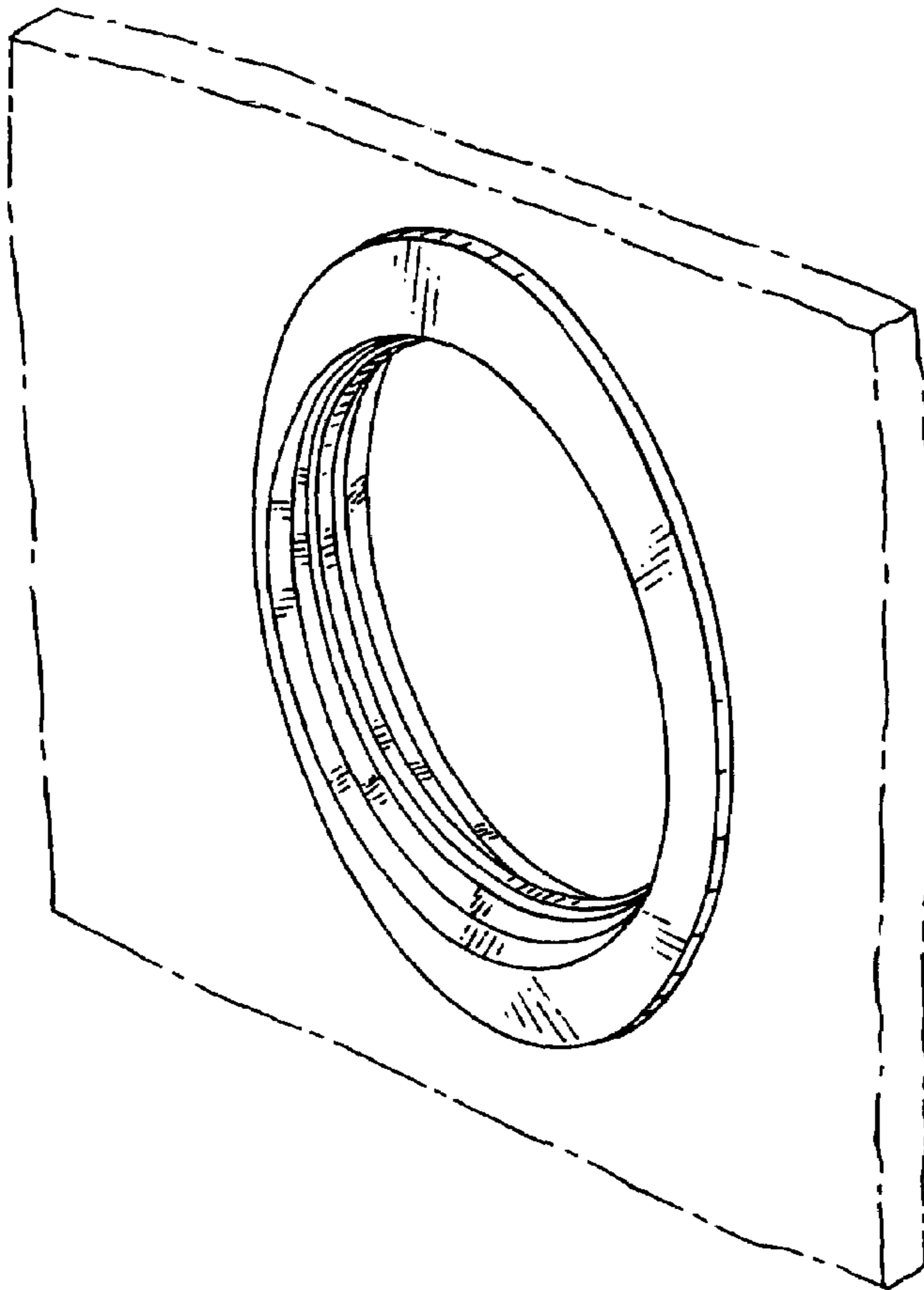


FIG. 1

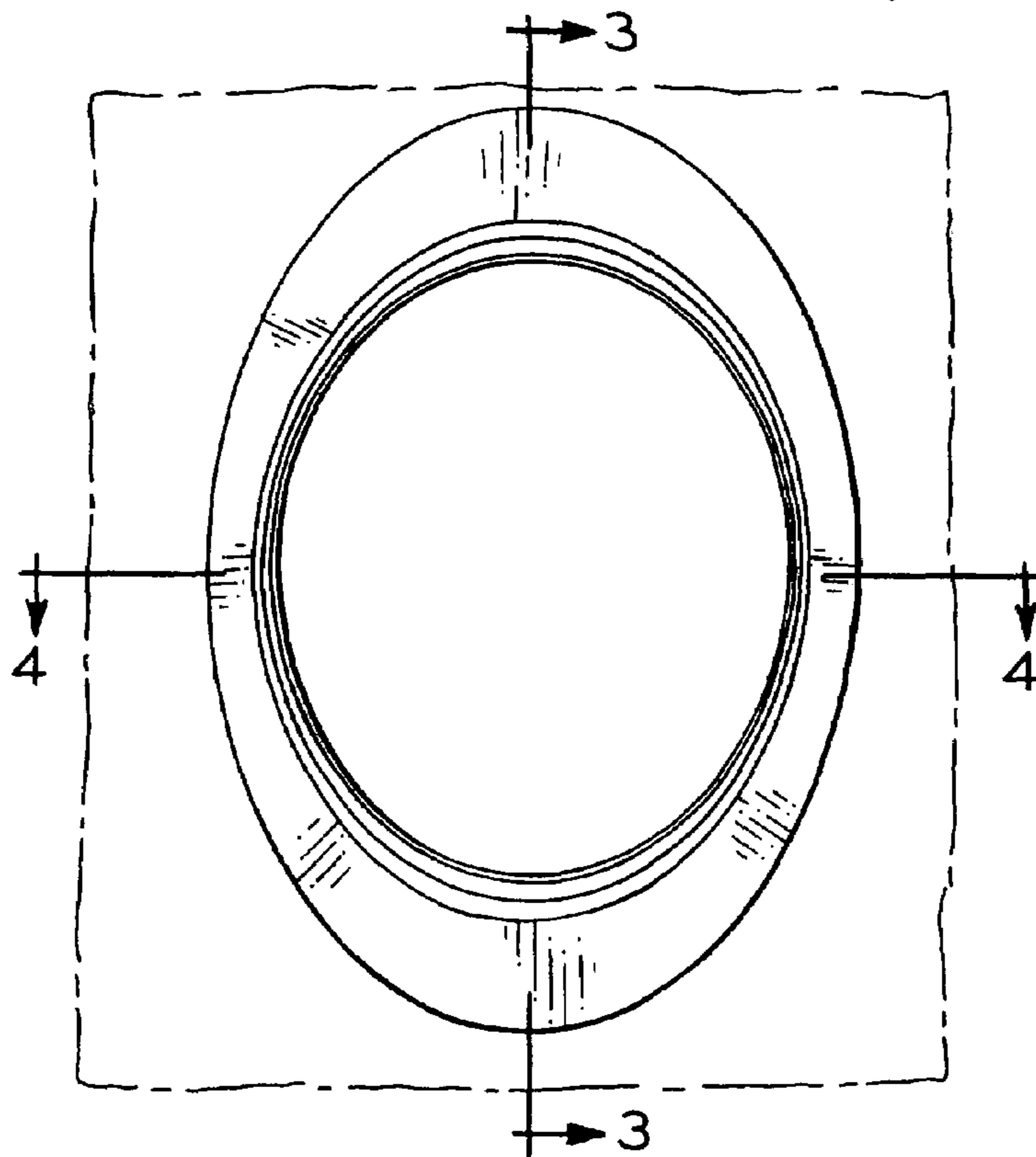


FIG. 2

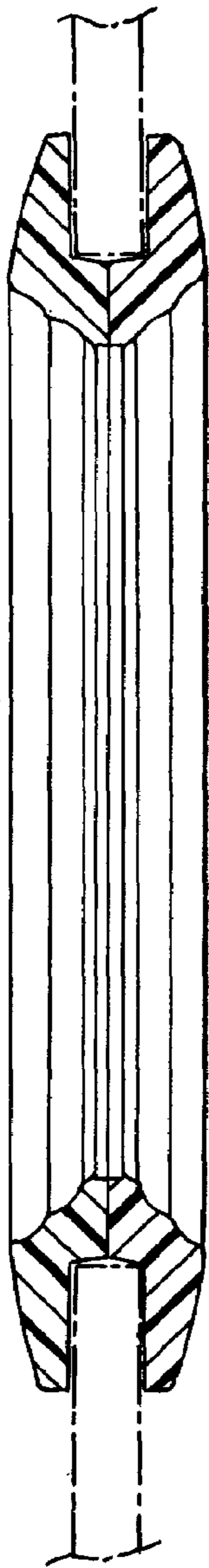


FIG. 3

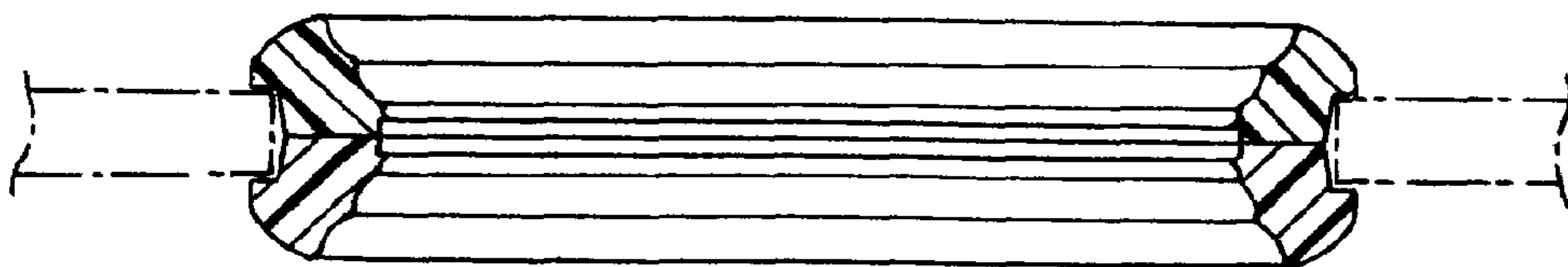


FIG. 4