



US00D563205S

(12) **United States Design Patent**
Kuzukawa

(10) **Patent No.:** **US D563,205 S**
(45) **Date of Patent:** **** Mar. 4, 2008**

- (54) **VIBRATION ISOLATOR MOUNT**
- (75) Inventor: **Mitsuo Kuzukawa**, Saitama (JP)
- (73) Assignee: **Fukoku Co., Ltd.**, Saitama (JP)
- (**) Term: **14 Years**
- (21) Appl. No.: **29/287,410**
- (22) Filed: **Aug. 2, 2007**

Primary Examiner—Holly H. Baynham
(74) *Attorney, Agent, or Firm*—Westerman, Hattori, Daniels & Adrian, LLP.

(57) **CLAIM**

The ornamental design for a vibration isolator mount, as shown and described.

DESCRIPTION

- Related U.S. Application Data**
- (62) Division of application No. 29/234,931, filed on Jul. 26, 2005.
 - (51) **LOC (8) Cl.** **08-05**
 - (52) **U.S. Cl.** **D8/354**
 - (58) **Field of Classification Search** D8/354;
D12/223; 248/300, 589
See application file for complete search history.

FIG. 1 is a front elevation view of a vibration isolator mount showing my new design, the rear elevation view being a mirror image thereof;

FIG. 2 is a left side elevation view of the vibration isolator mount shown in FIG. 1, the right side elevation view being a mirror image thereof;

FIG. 3 is a top plan view of the vibration isolator mount shown in FIG. 1;

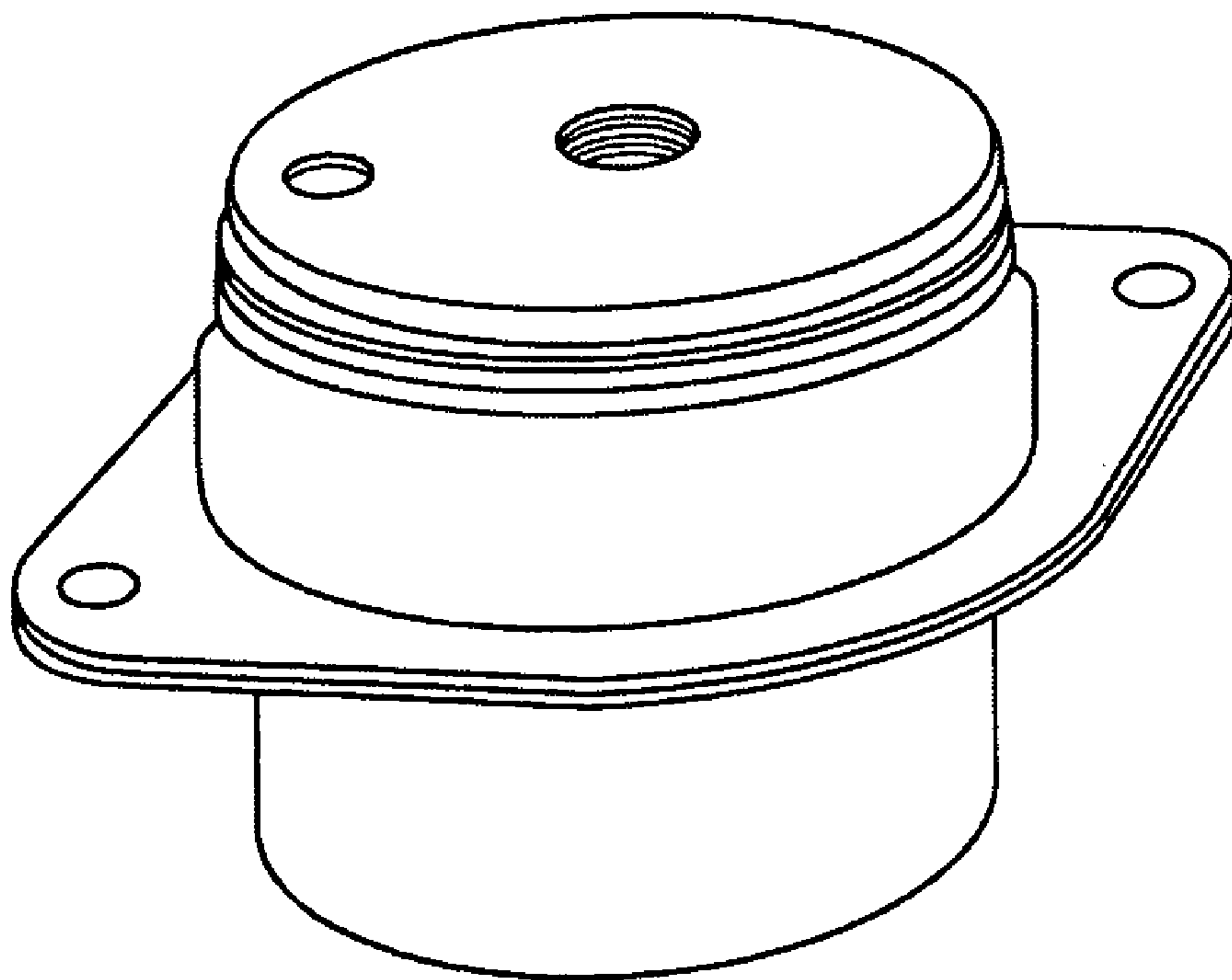
FIG. 4 is a bottom view of the vibration isolator mount shown in FIG. 1; and,

FIG. 5 is a perspective view of the vibration isolator mount shown in FIG. 1.

- (56) **References Cited**
U.S. PATENT DOCUMENTS
6,773,001 B2 8/2004 Saiki et al.
7,093,814 B2* 8/2006 Meisel et al. 248/562

* cited by examiner

1 Claim, 1 Drawing Sheet



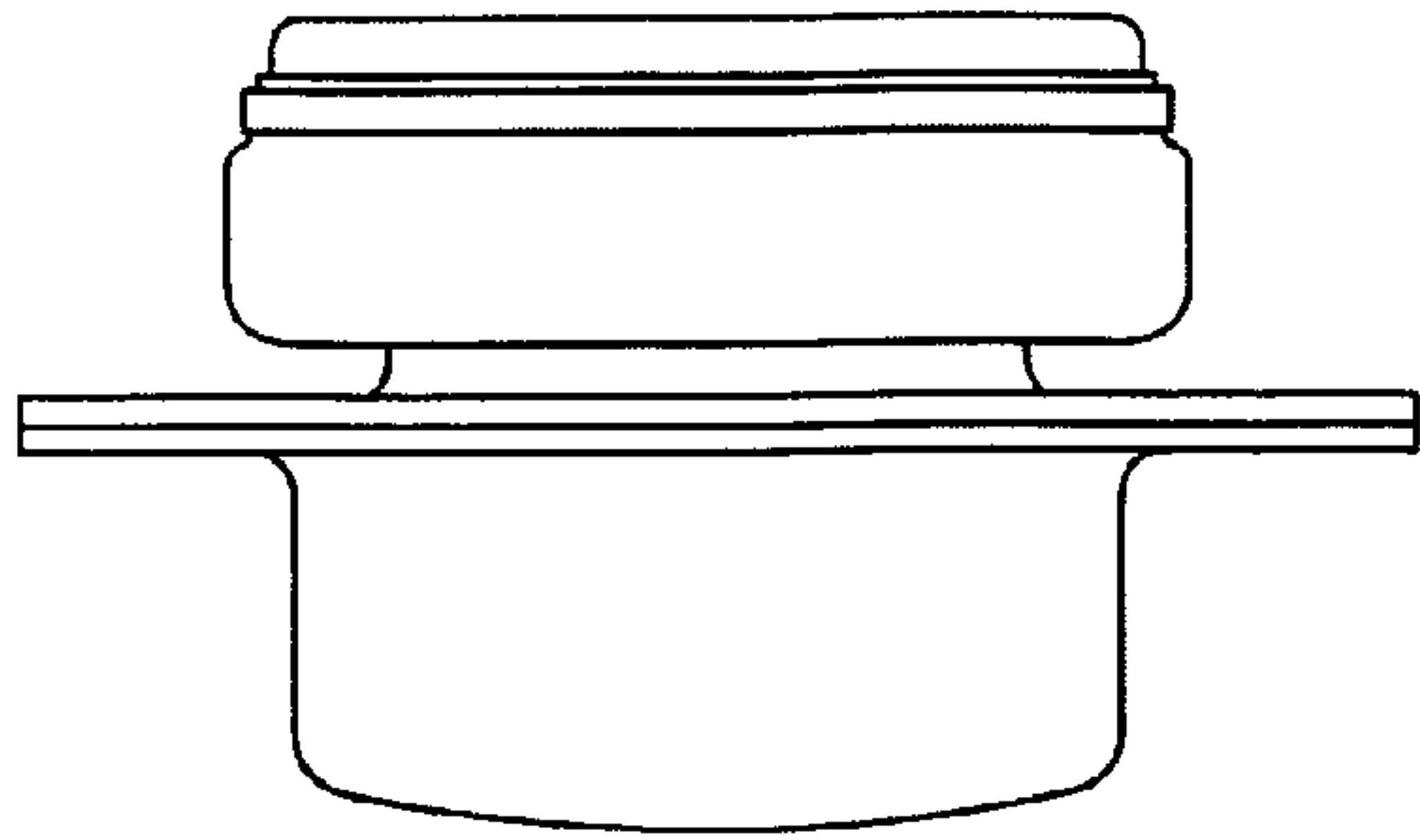


Fig.1

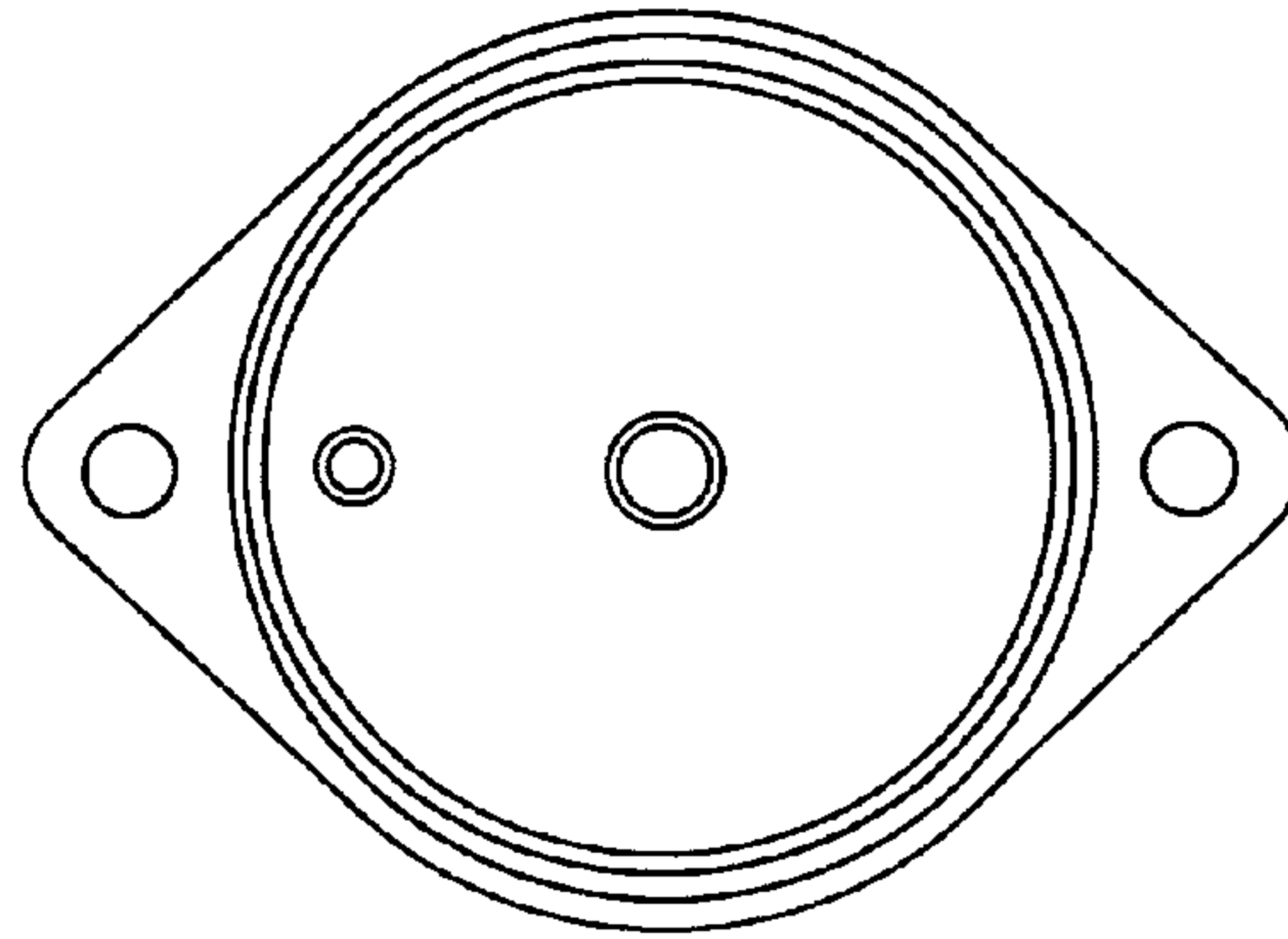


Fig.3

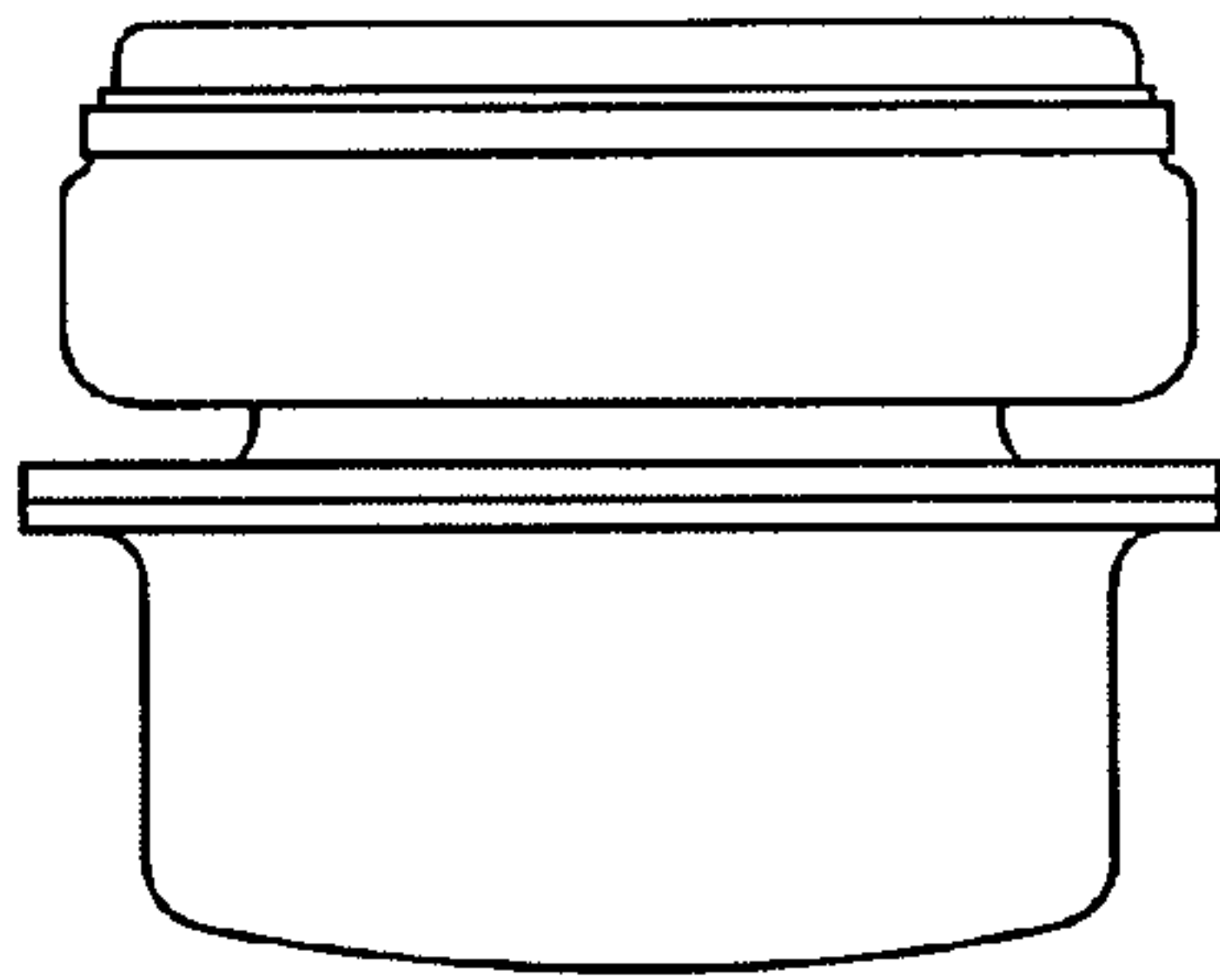


Fig.2

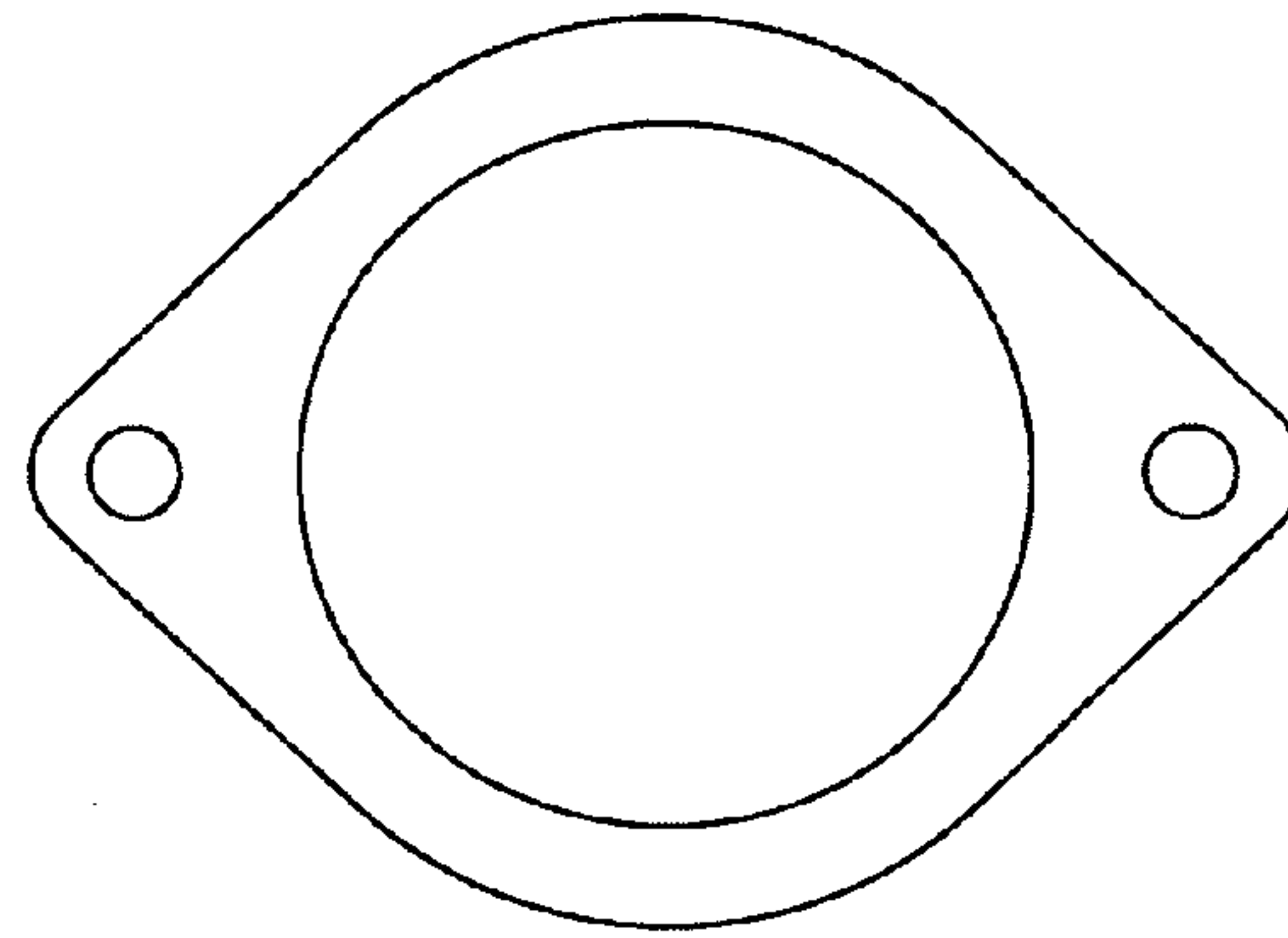


Fig.4

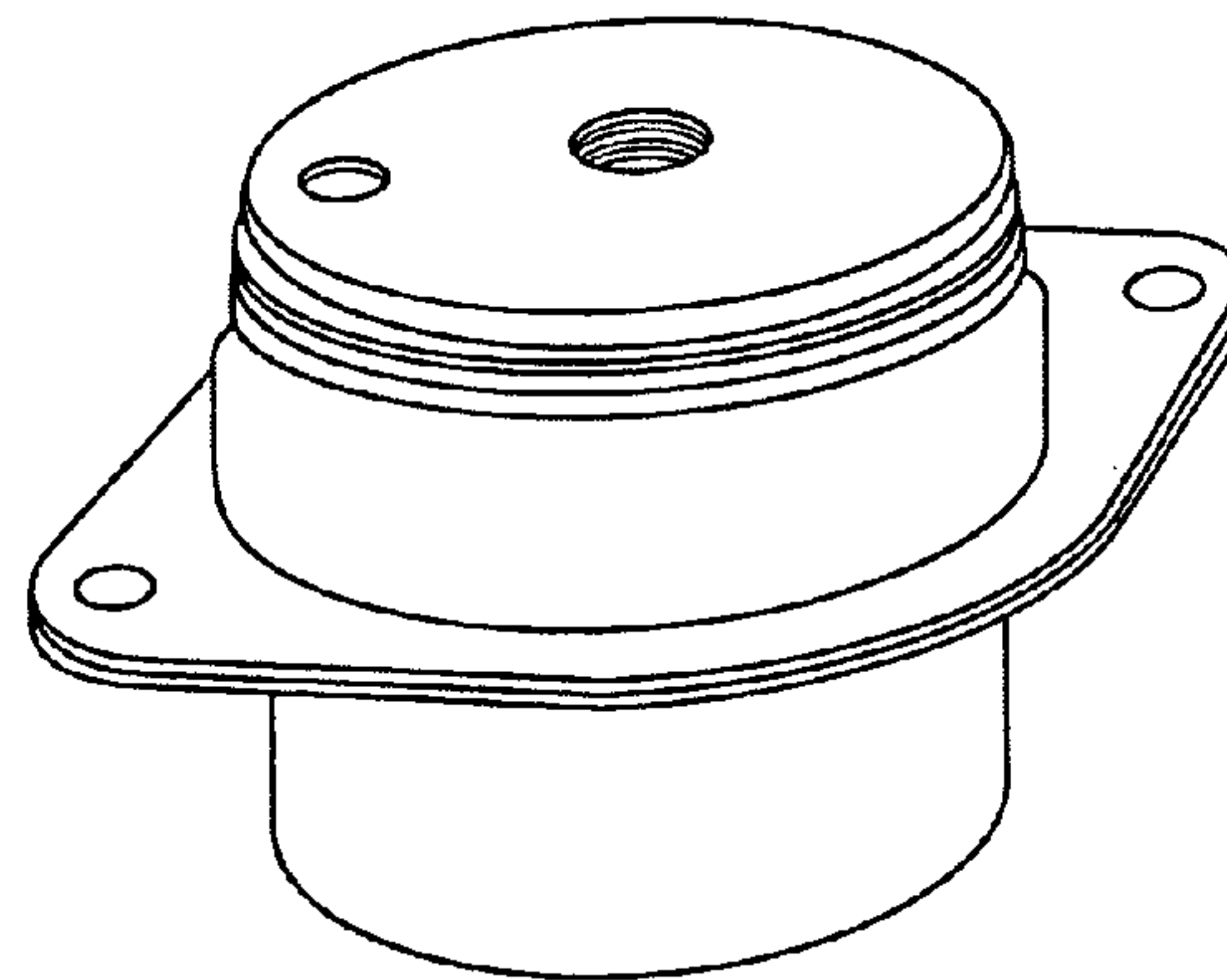


Fig.5