



US00D563203S

(12) **United States Design Patent**
Benning

(10) **Patent No.:** **US D563,203 S**
(45) **Date of Patent:** **** Mar. 4, 2008**

(54) **EQUESTRIAN CONE JUMP CUP**
(75) Inventor: **Robert Benning**, 867 N. Table
Mountain Loop, Cheyenne, WY (US)
82009
(73) Assignee: **Robert Benning**, Cheyenne, WY (US)
(**) Term: **14 Years**

Primary Examiner—Holly H. Baynham

(57) **CLAIM**

The ornamental design for equestrian cone jump cup, as shown and described.

(21) Appl. No.: **29/247,745**

DESCRIPTION

(22) Filed: **Jul. 10, 2006**

(51) **LOC (8) Cl.** **08-05**

(52) **U.S. Cl.** **D8/354**

(58) **Field of Classification Search** D8/354;
248/218.4, 248; 482/16

See application file for complete search history.

FIG. 1 is a perspective view of an equestrian cone jump cup of the present invention, the broken lines showing a supporting cone and a jump pole for illustrative purposes only and forming no part of the claimed design;

FIG. 2 is a front elevational view of the invention, the rear elevational view of the invention being a mirror image thereof;

FIG. 3 is a left-side elevational view of the invention, the right-side elevational view being a mirror image thereof;

FIG. 4 is a top plan view of the invention; and,

FIG. 5 is a bottom plan view of the invention.

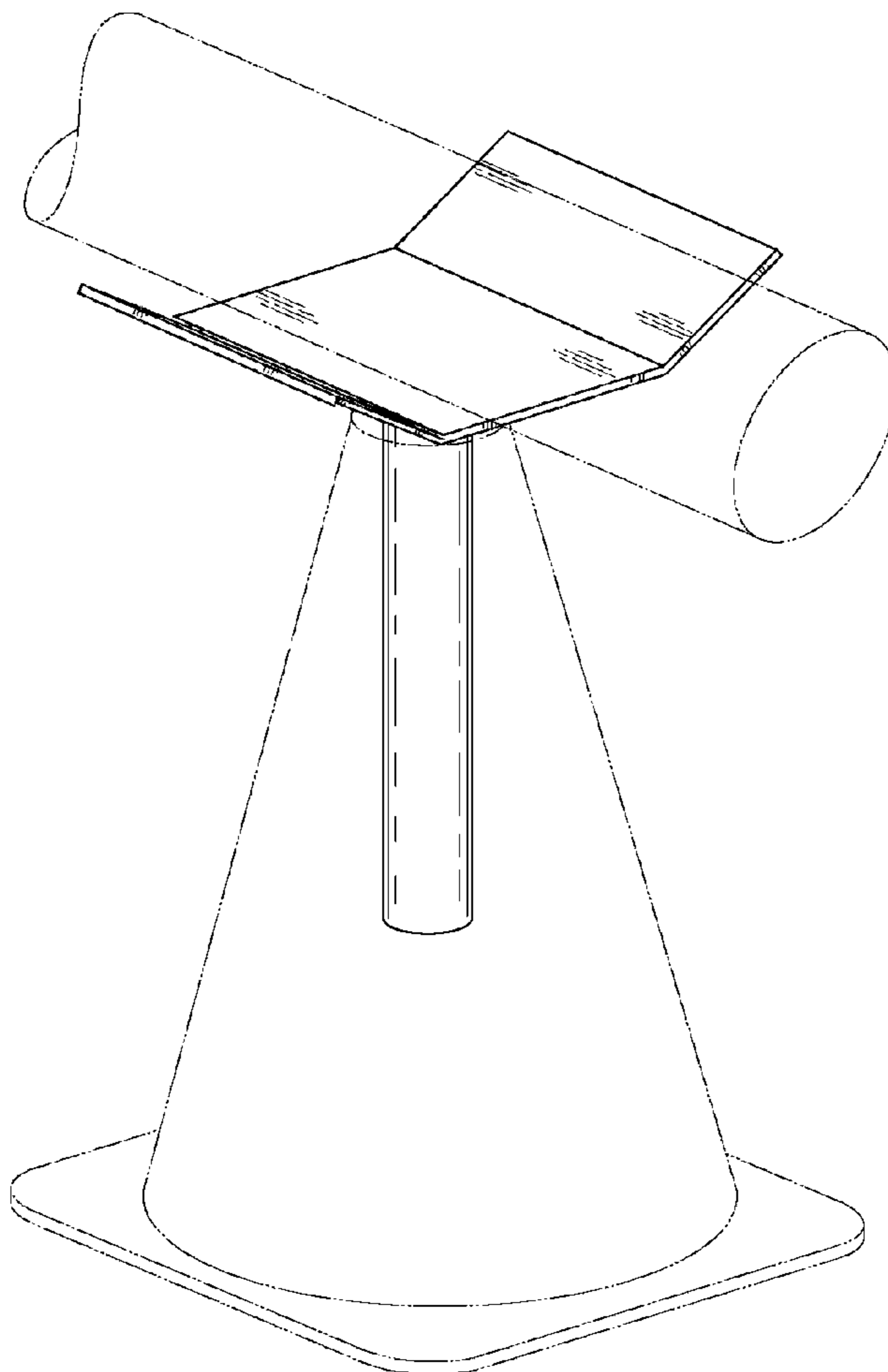
(56) **References Cited**

U.S. PATENT DOCUMENTS

3,749,344 A *	7/1973	Racina	248/218.4
5,334,119 A *	8/1994	Eloranta	482/16
D395,226 S *	6/1998	Maher et al.	D8/354

* cited by examiner

1 Claim, 2 Drawing Sheets



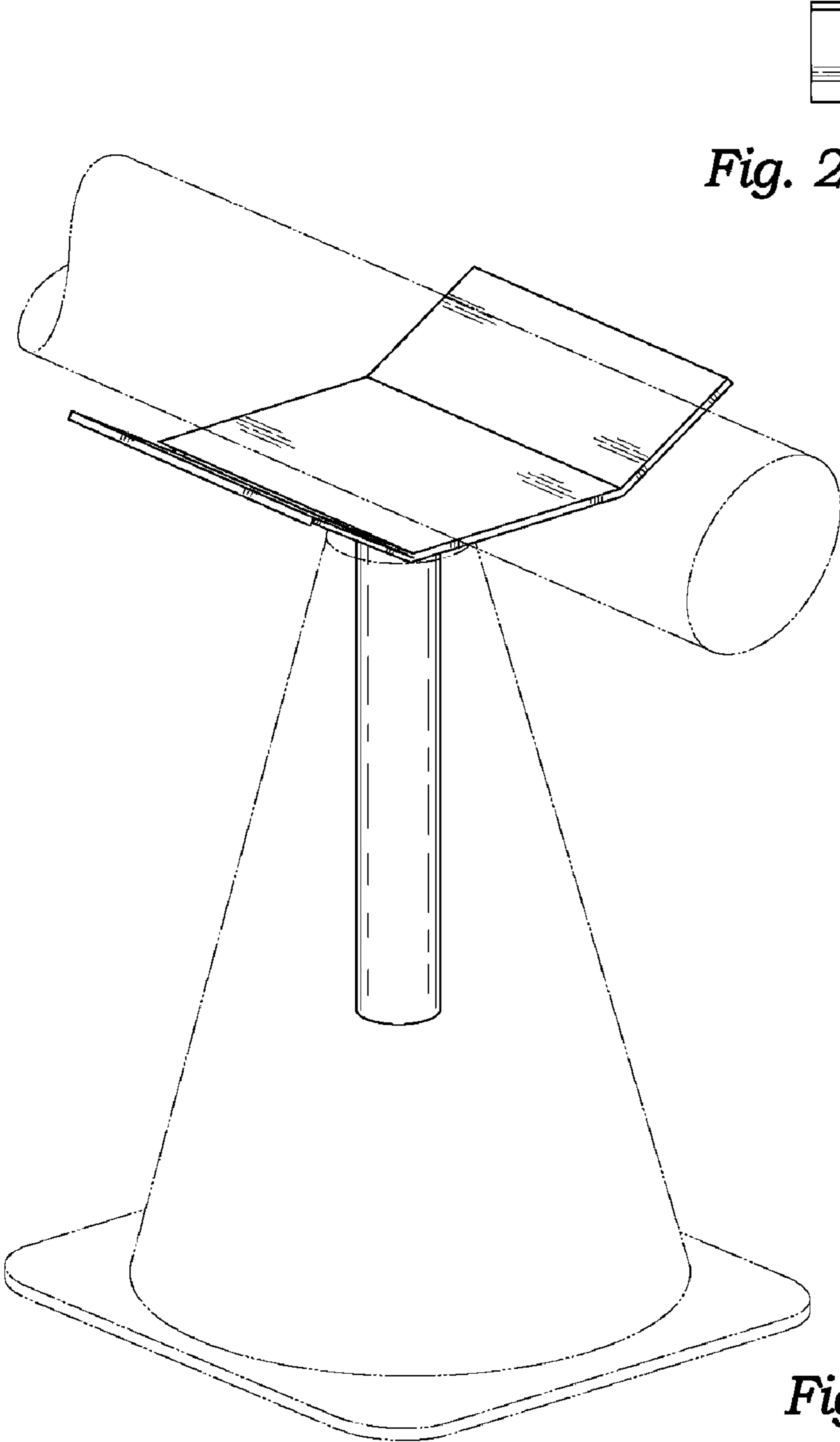


Fig. 1

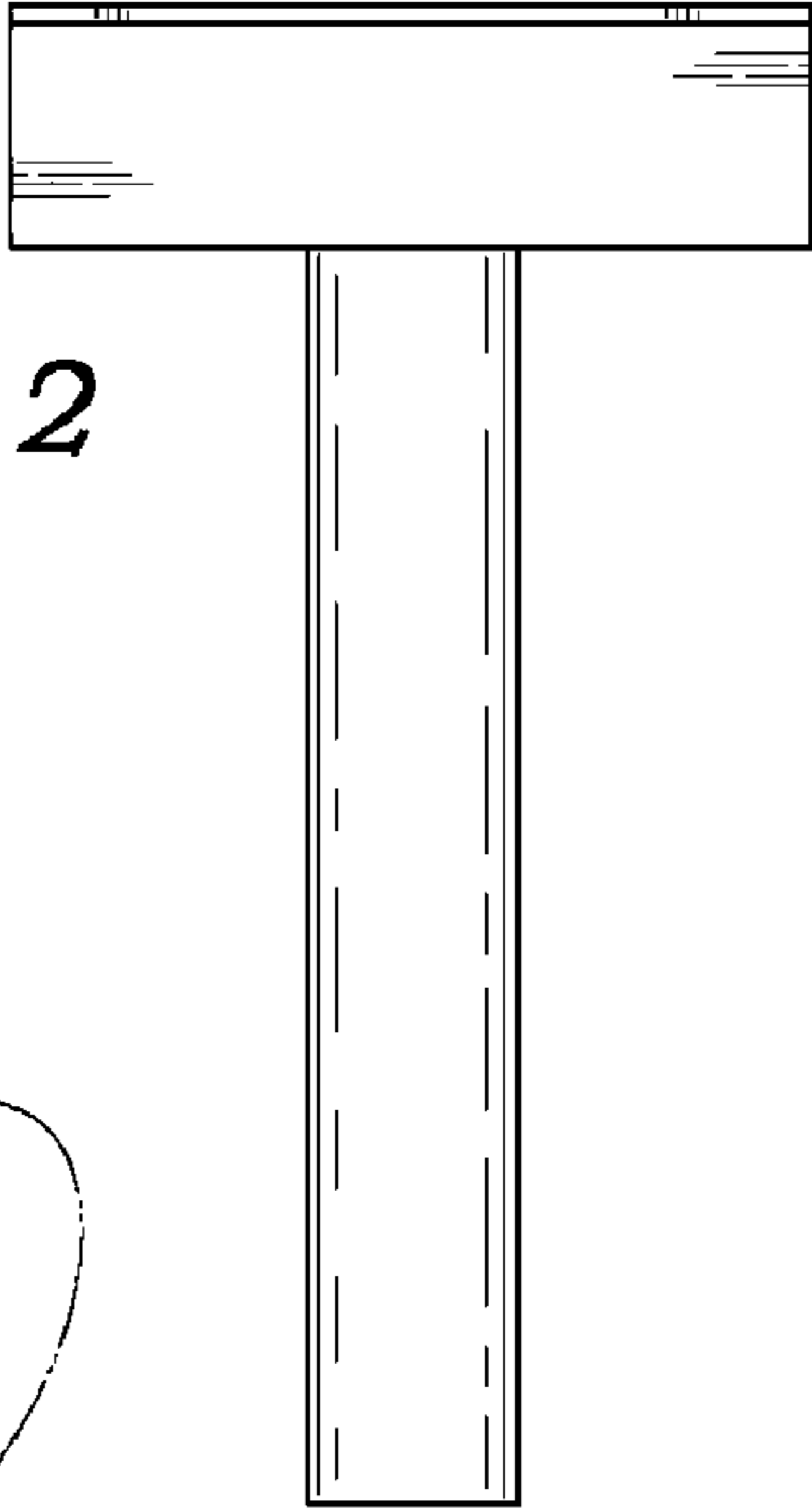


Fig. 2

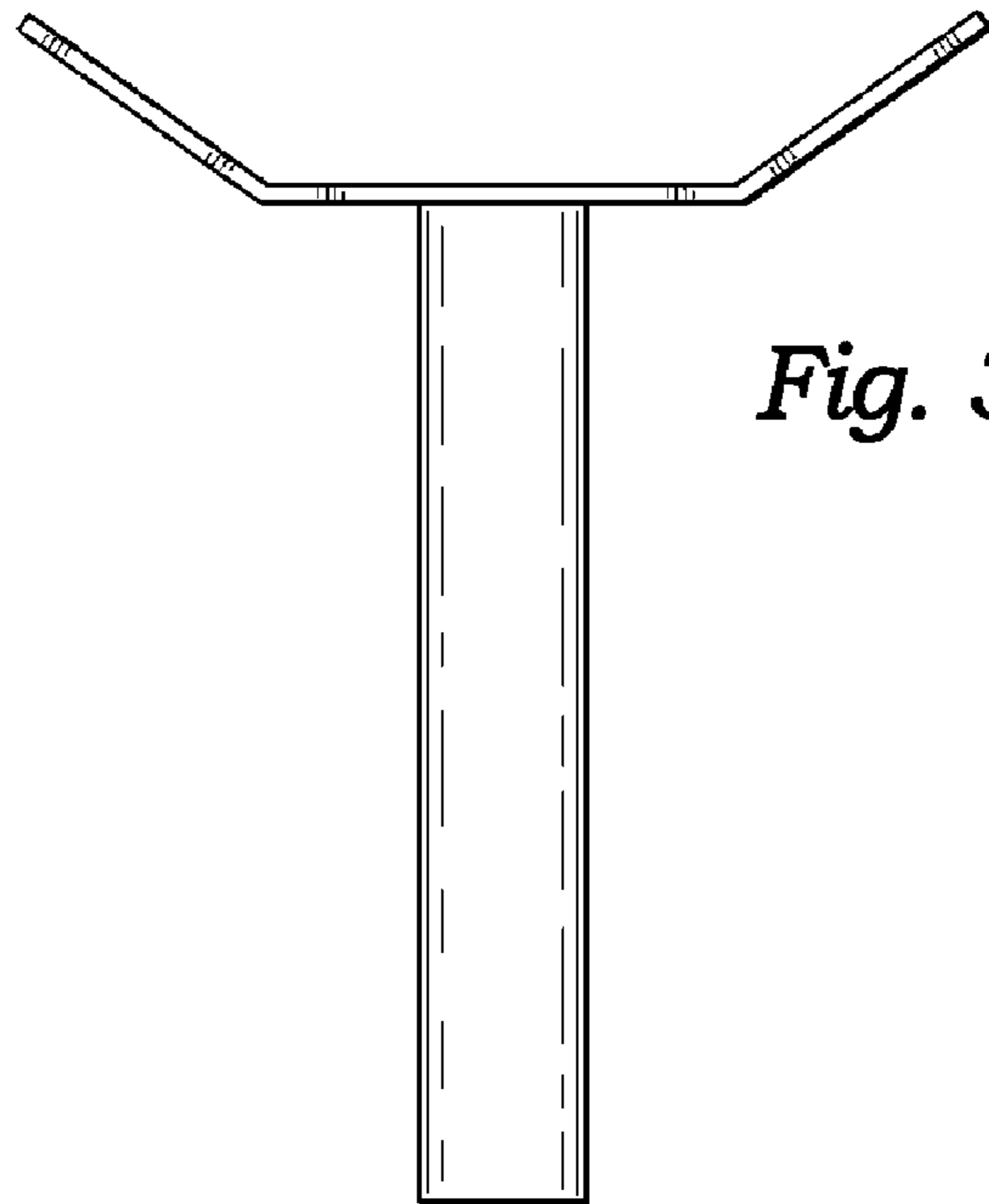


Fig. 3

Fig. 4

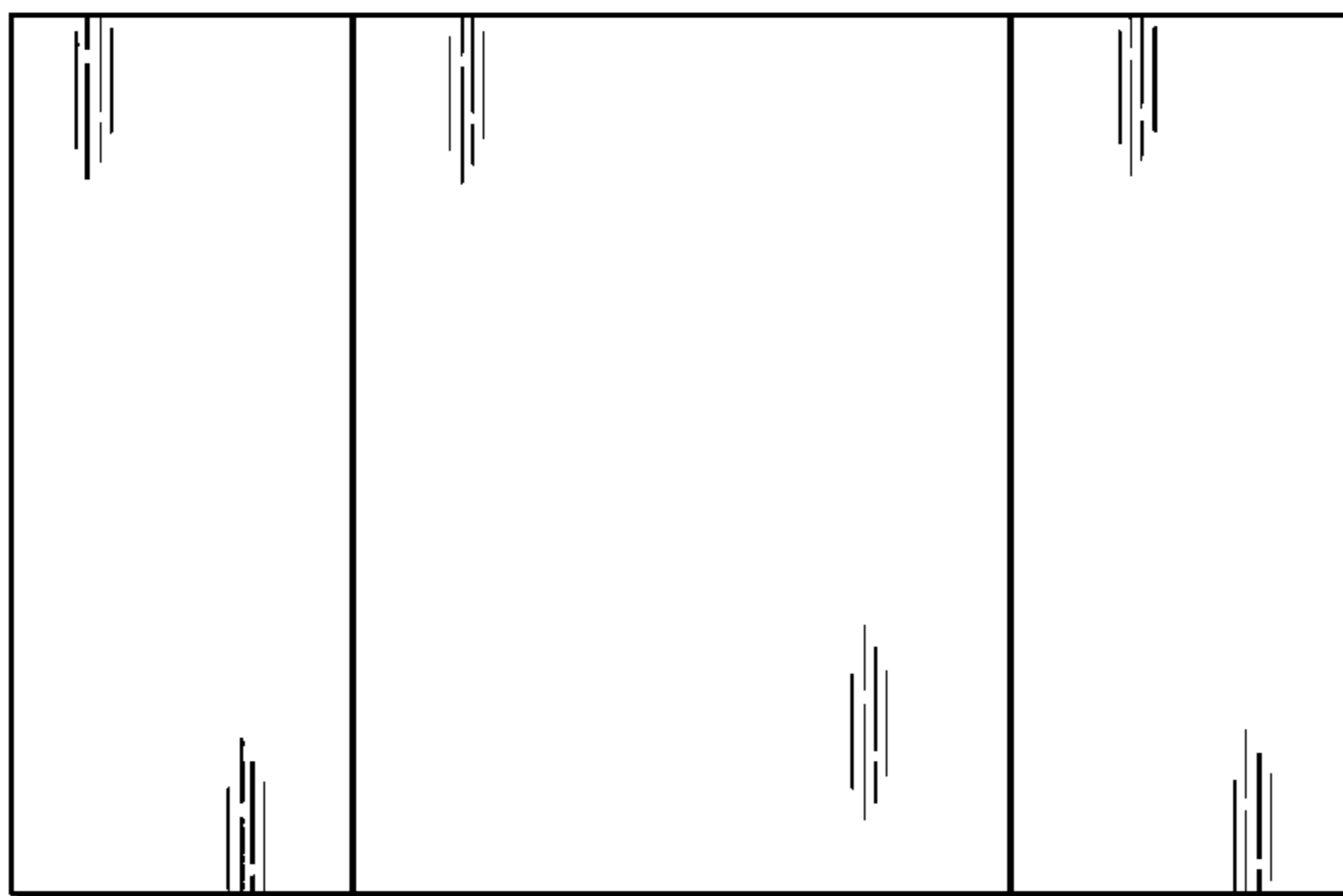


Fig. 5

