



US00D563200S

(12) **United States Design Patent**
Nave et al.

(10) **Patent No.:** **US D563,200 S**
(45) **Date of Patent:** **** Mar. 4, 2008**

(54) **SHACKLE**

(57) **CLAIM**

(75) Inventors: **Zachery Nave**, Oak Creek, WI (US);
John Blomstrom, Milwaukee, WI (US)

We claim the ornamental design for a shackle, as shown and described.

(73) Assignee: **Master Lock Company LLC**, Oak Creek, WI (US)

DESCRIPTION

(**) Term: **14 Years**

(21) Appl. No.: **29/266,929**

(22) Filed: **Sep. 29, 2006**

(51) **LOC (8) Cl.** **08-07**

(52) **U.S. Cl.** **D8/343**

(58) **Field of Classification Search** D8/330-348;
70/14, 20, 26, 23, 312, 315, 31-34, 51, 52,
70/224, 448, 229-232

See application file for complete search history.

(56) **References Cited**

U.S. PATENT DOCUMENTS

5,540,065	A *	7/1996	Wyers	70/26
6,425,272	B1 *	7/2002	Chen	70/34
6,575,000	B1 *	6/2003	Li	70/34
D524,142	S *	7/2006	Recknagel et al.	D8/331
D546,663	S *	7/2007	Recknagel et al.	D8/339
2007/0180871	A1 *	8/2007	Irgens et al.	70/34

* cited by examiner

Primary Examiner—Mitchell Siegel

(74) *Attorney, Agent, or Firm*—Calfee, Halter & Griswold LLP

FIG. 1 is a perspective view of a shackle made in accordance with an embodiment of the new design;

FIG. 2 is a side view of the shackle of FIG. 1, the opposite side being a mirror image of FIG. 2;

FIG. 3 is a front view of the shackle of FIG. 1;

FIG. 4 is a rear view of the shackle of FIG. 1;

FIG. 5 is a top view of the shackle of FIG. 1;

FIG. 6 is a bottom view of the shackle of FIG. 1;

FIG. 7 is a perspective view of a shackle made in accordance with another embodiment of the new design;

FIG. 8 is a side view of the shackle of FIG. 7, the opposite side being a mirror image of FIG. 8;

FIG. 9 is a front view of the shackle of FIG. 7;

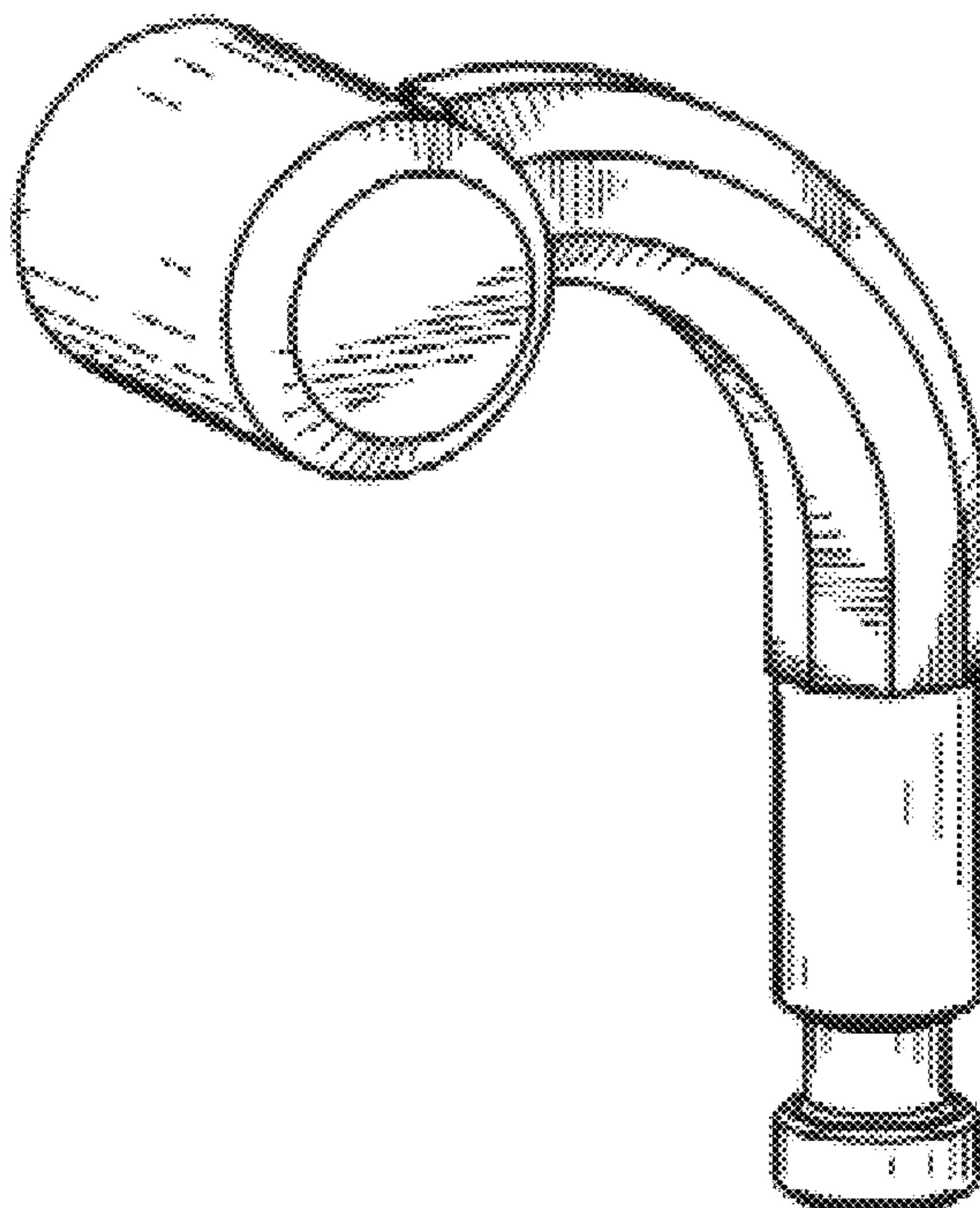
FIG. 10 is a rear view of the shackle of FIG. 7;

FIG. 11 is a top view of the shackle of FIG. 7; and,

FIG. 12 is a bottom view of the shackle of FIG. 7.

The portions of the Figures shown in phantom lines are not part of the claimed design but are for either illustration only, or to define the boundaries of the claimed design.

1 Claim, 2 Drawing Sheets



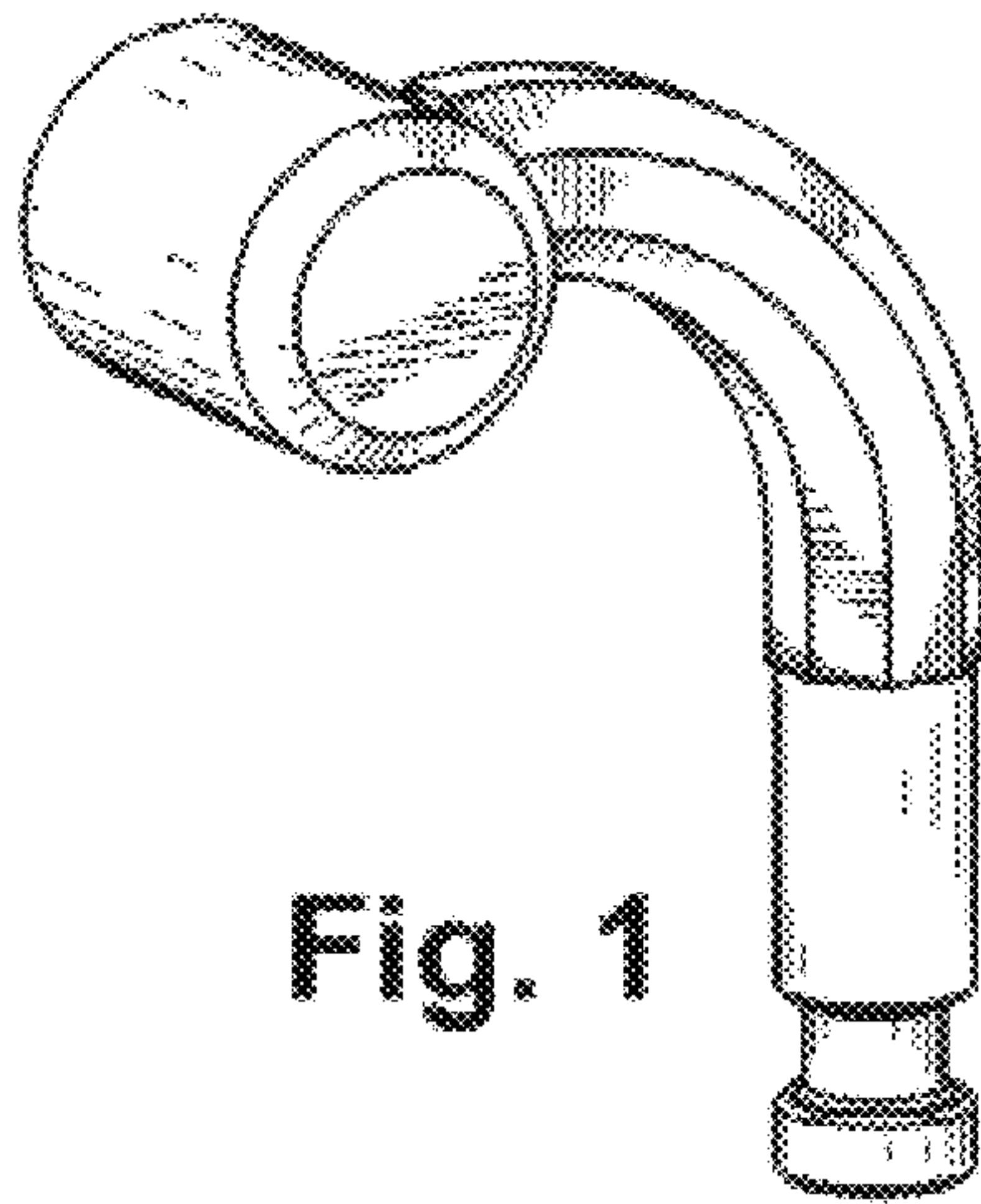


Fig. 1

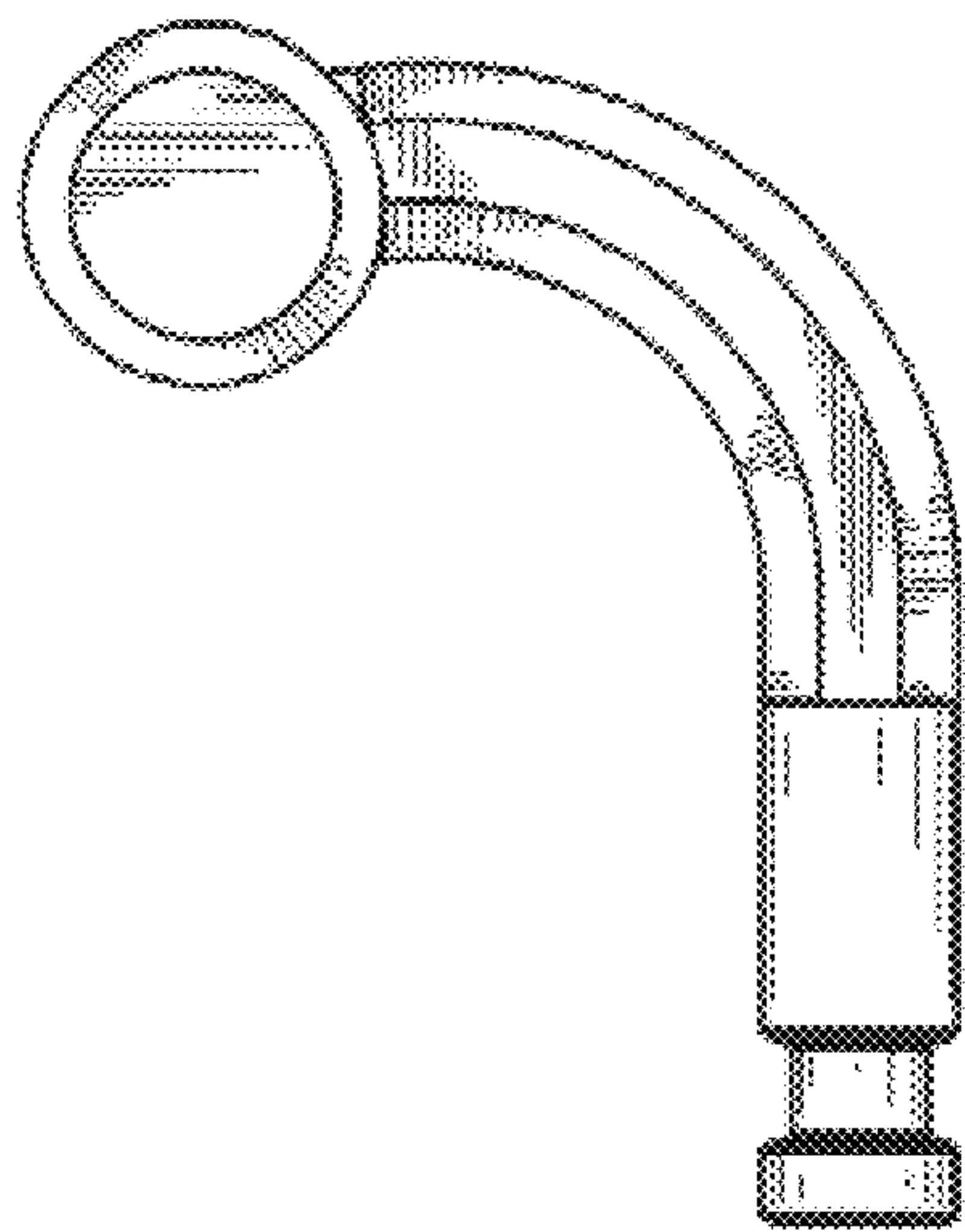


Fig. 2

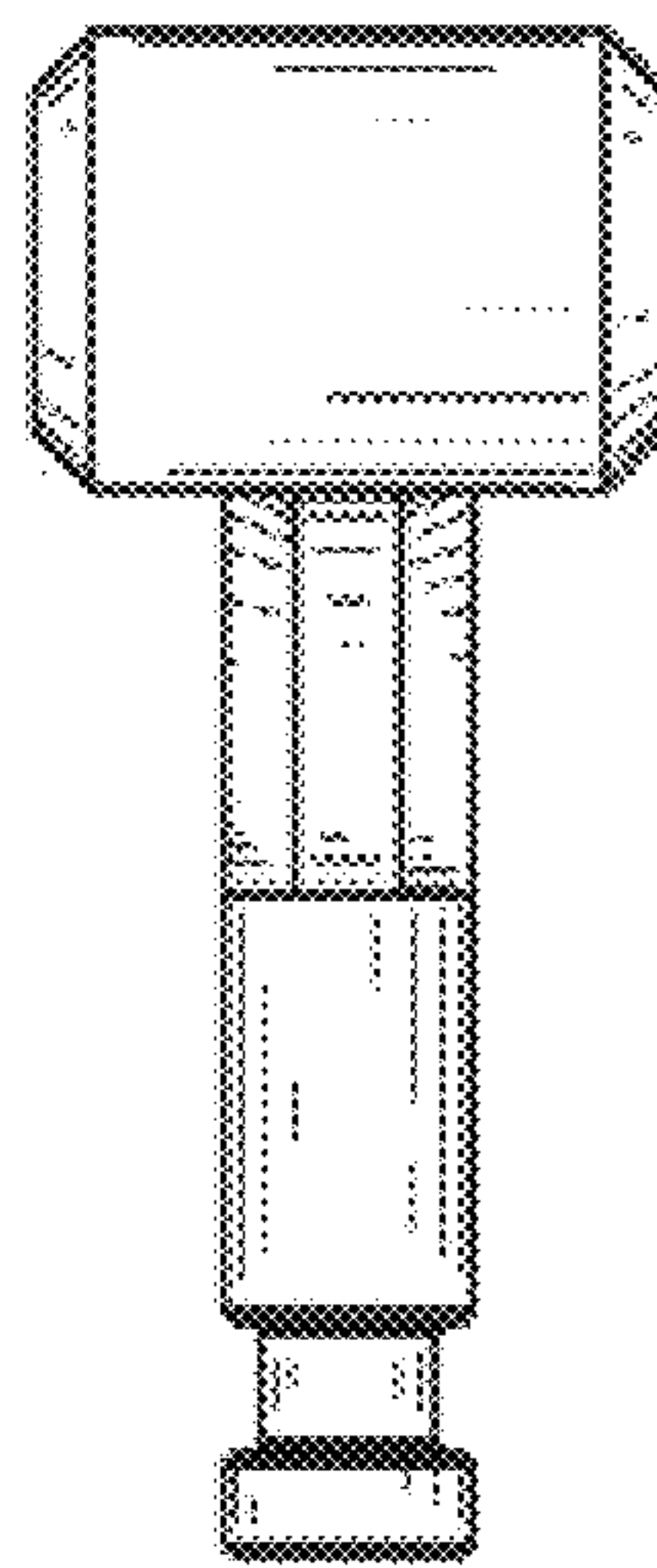


Fig. 3

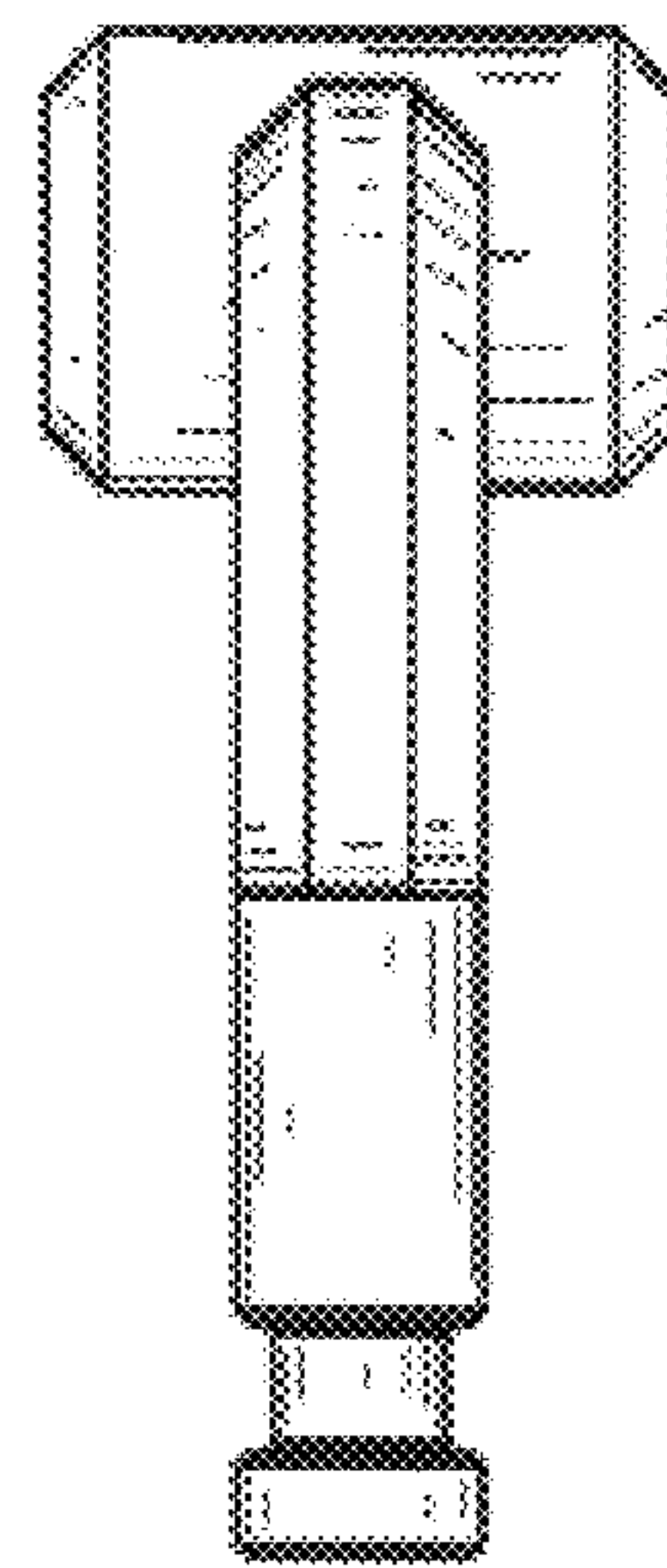


Fig. 4

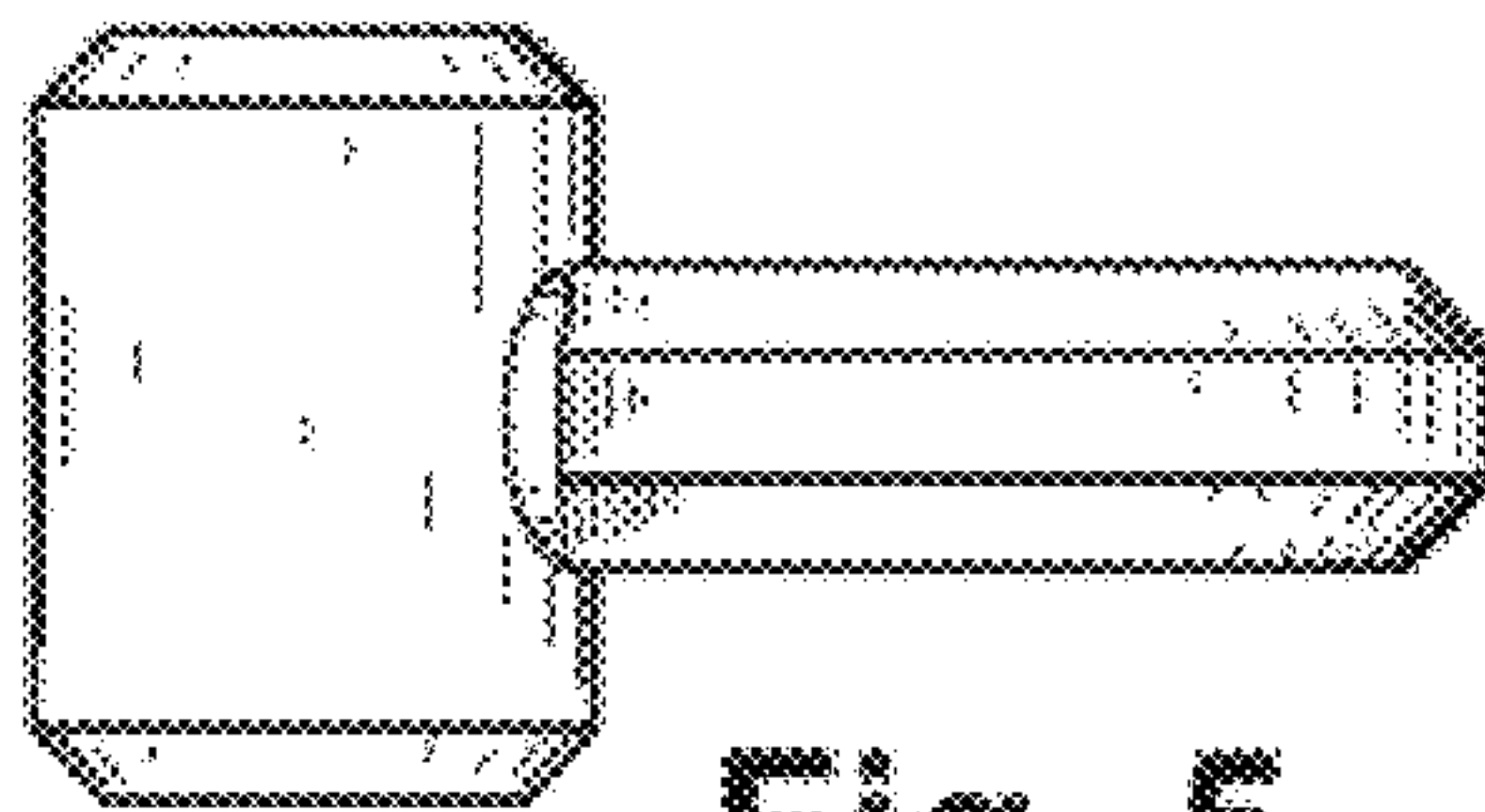


Fig. 5

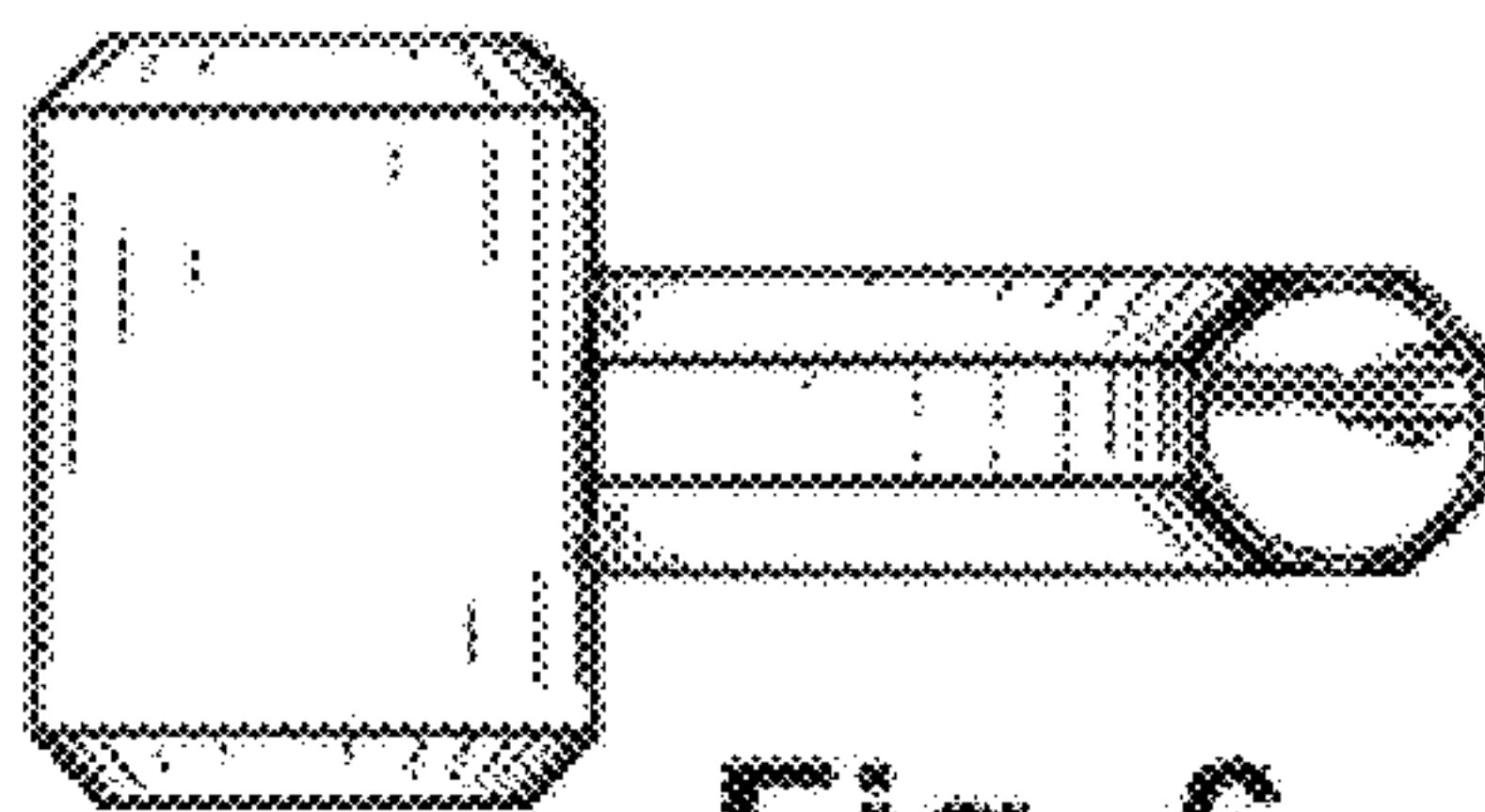


Fig. 6

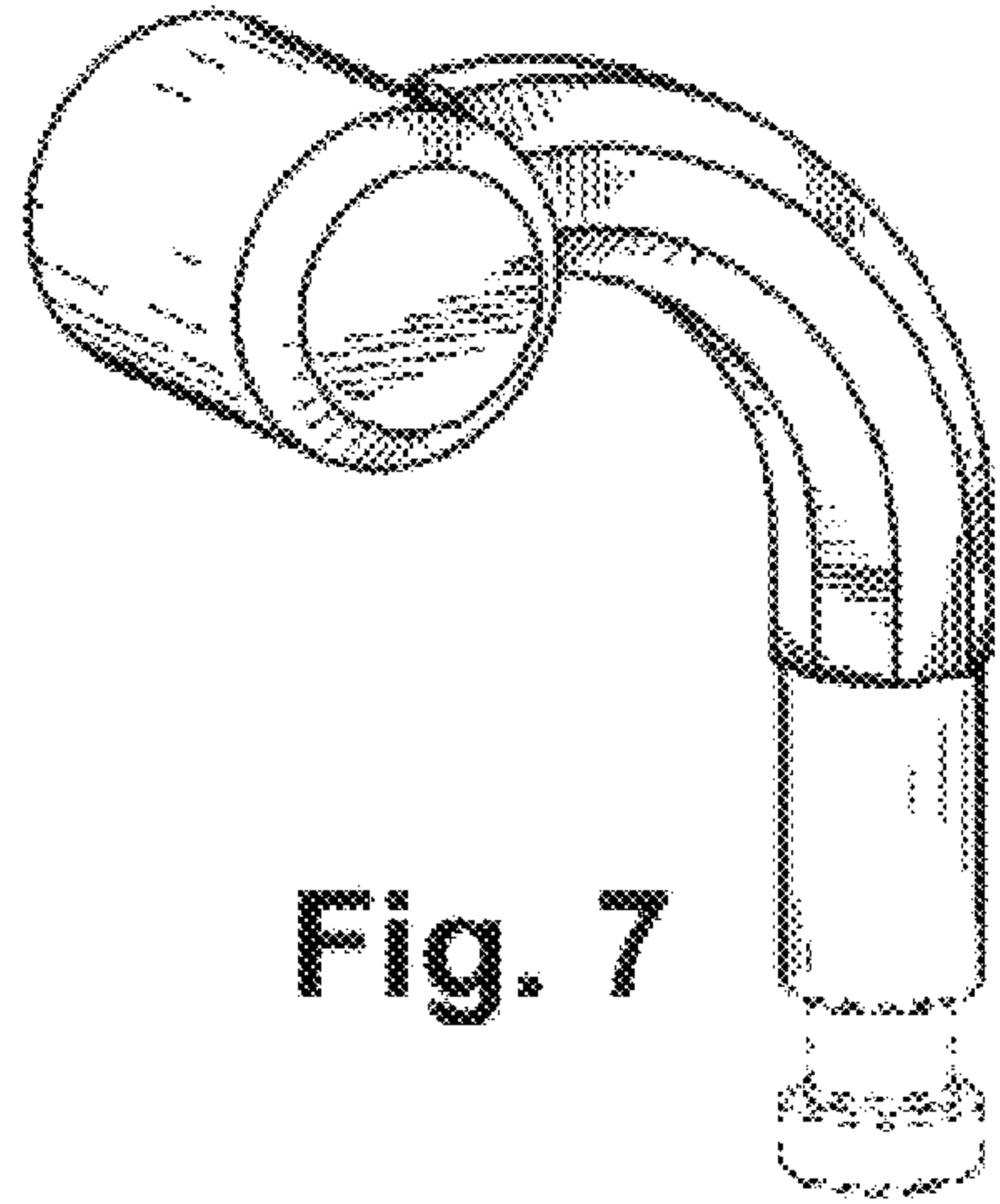


Fig. 7

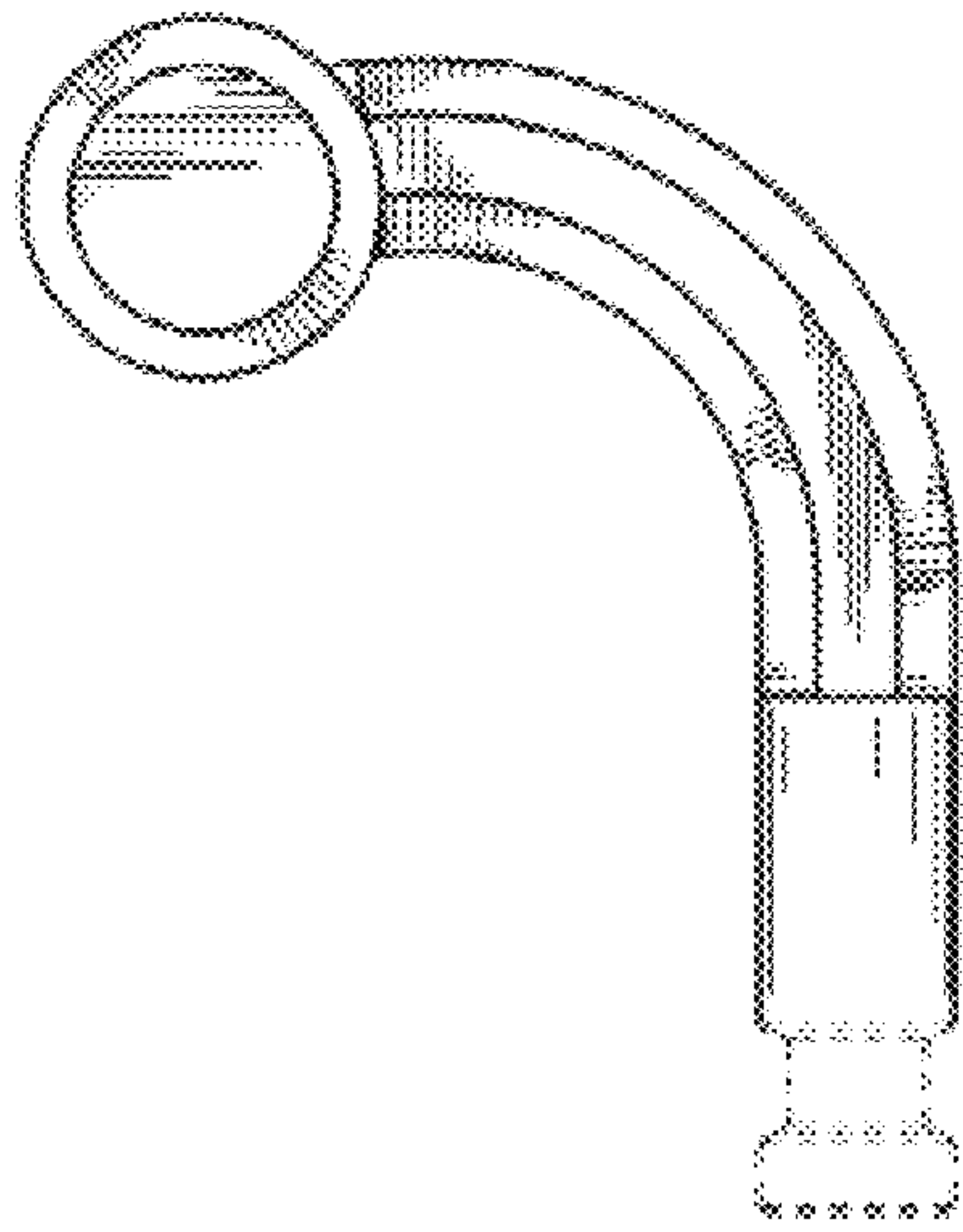


Fig. 8

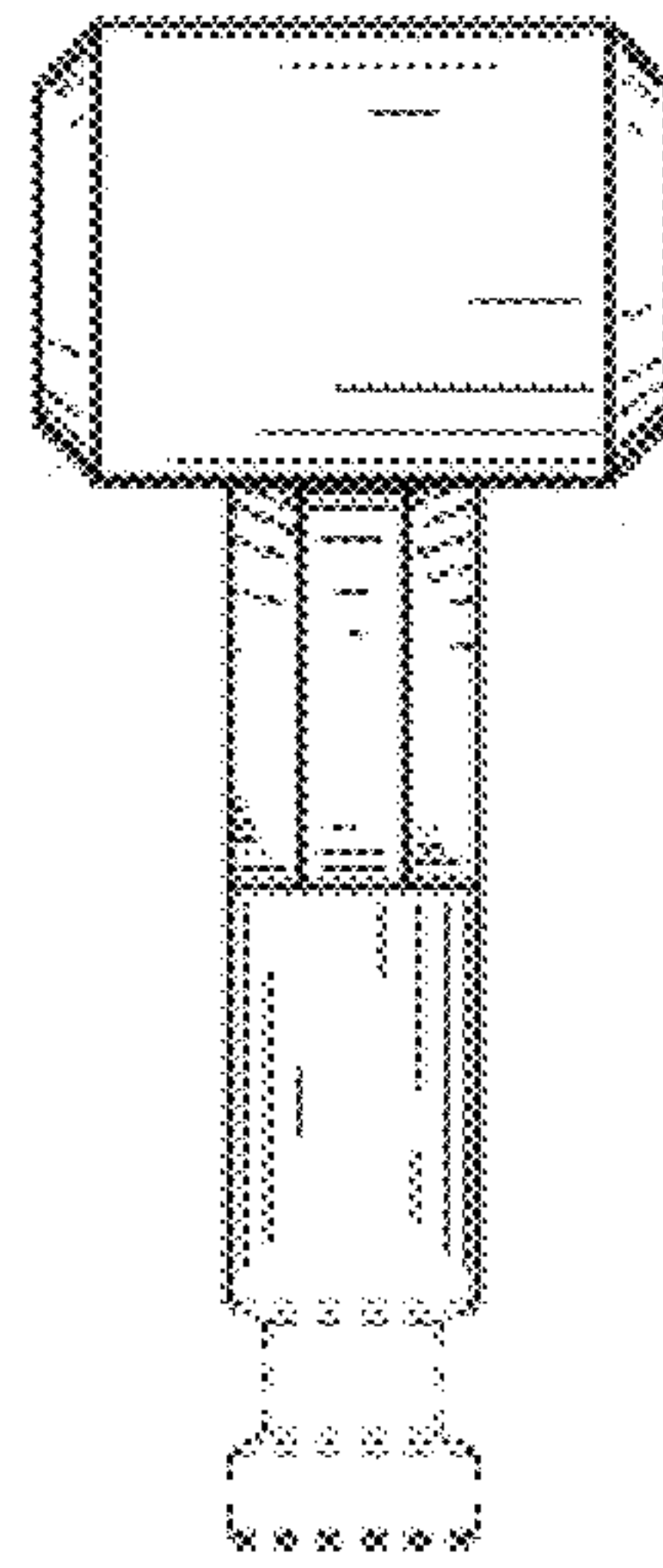


Fig. 9

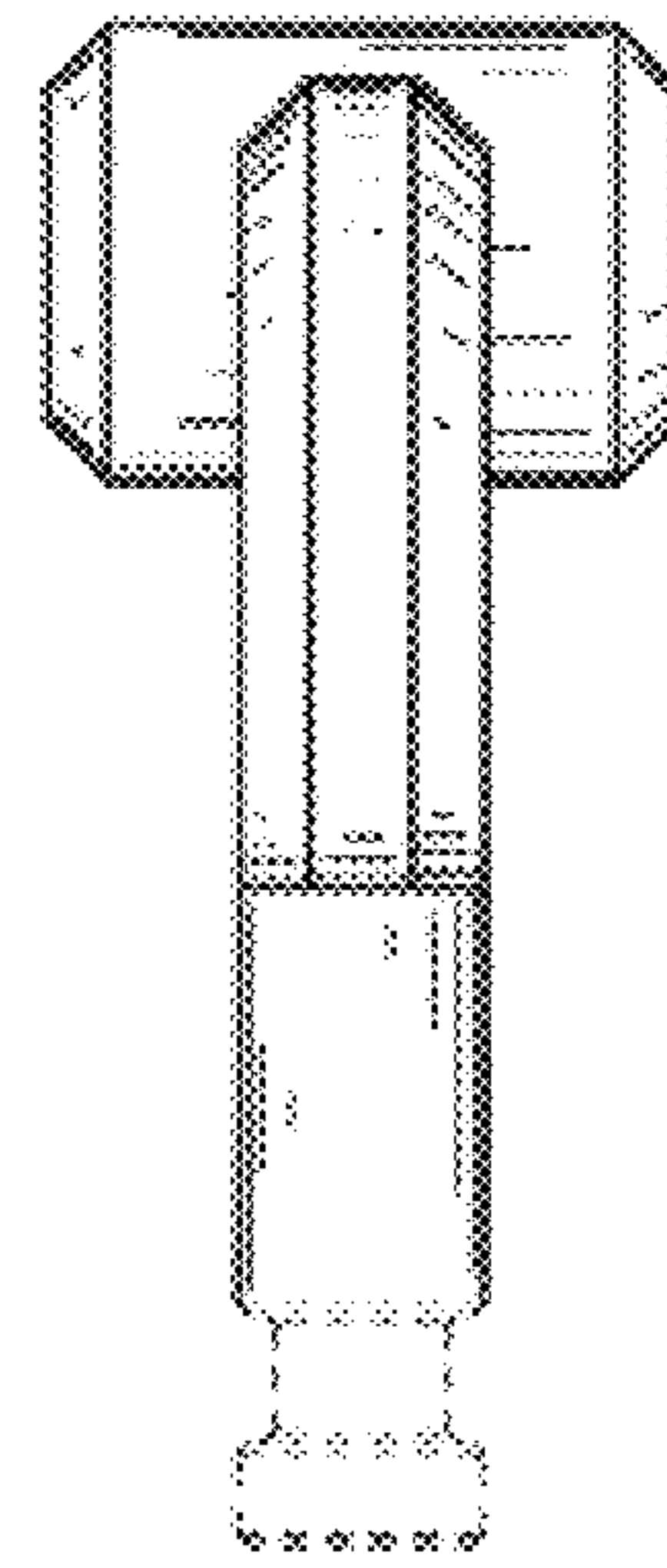


Fig. 10

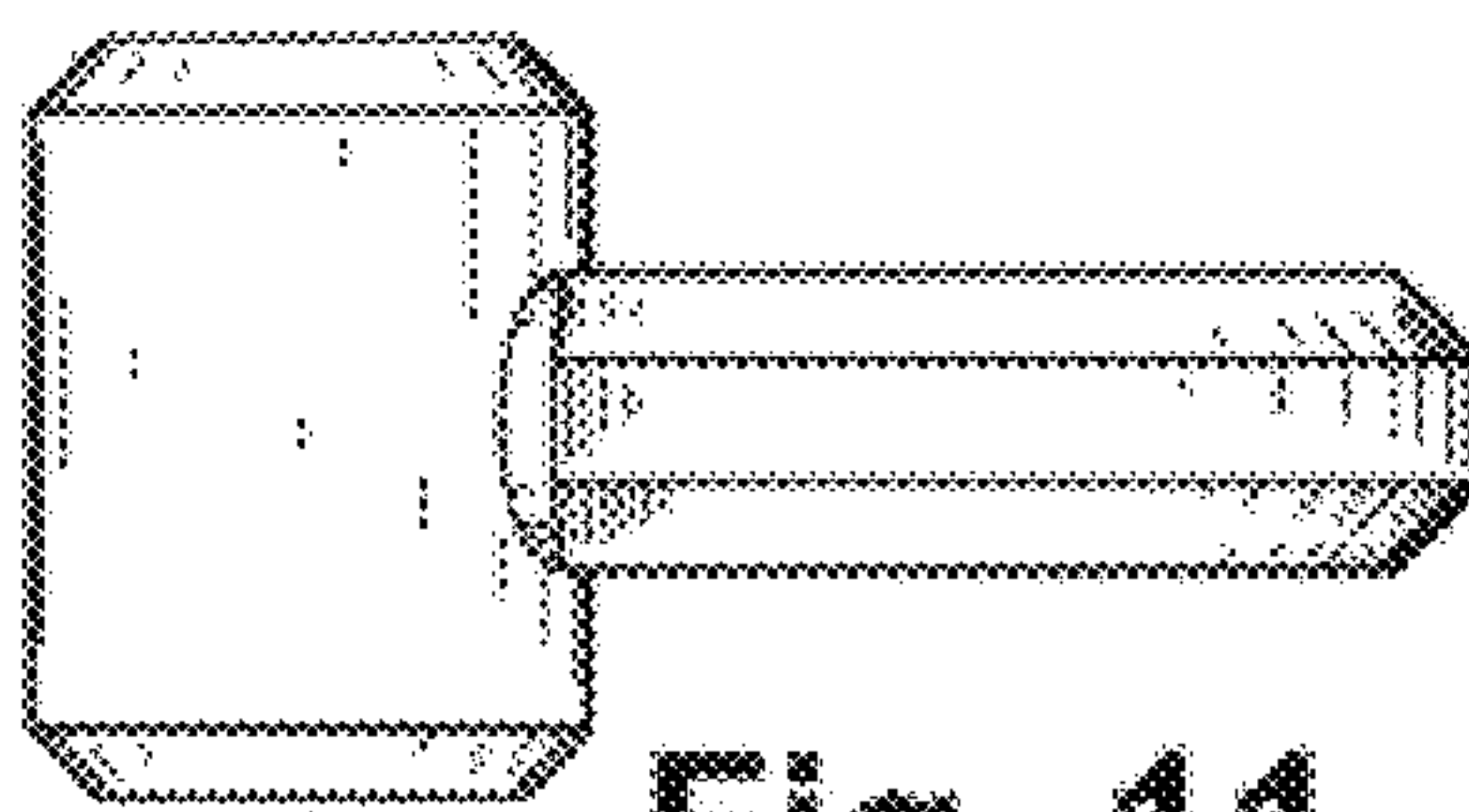


Fig. 11

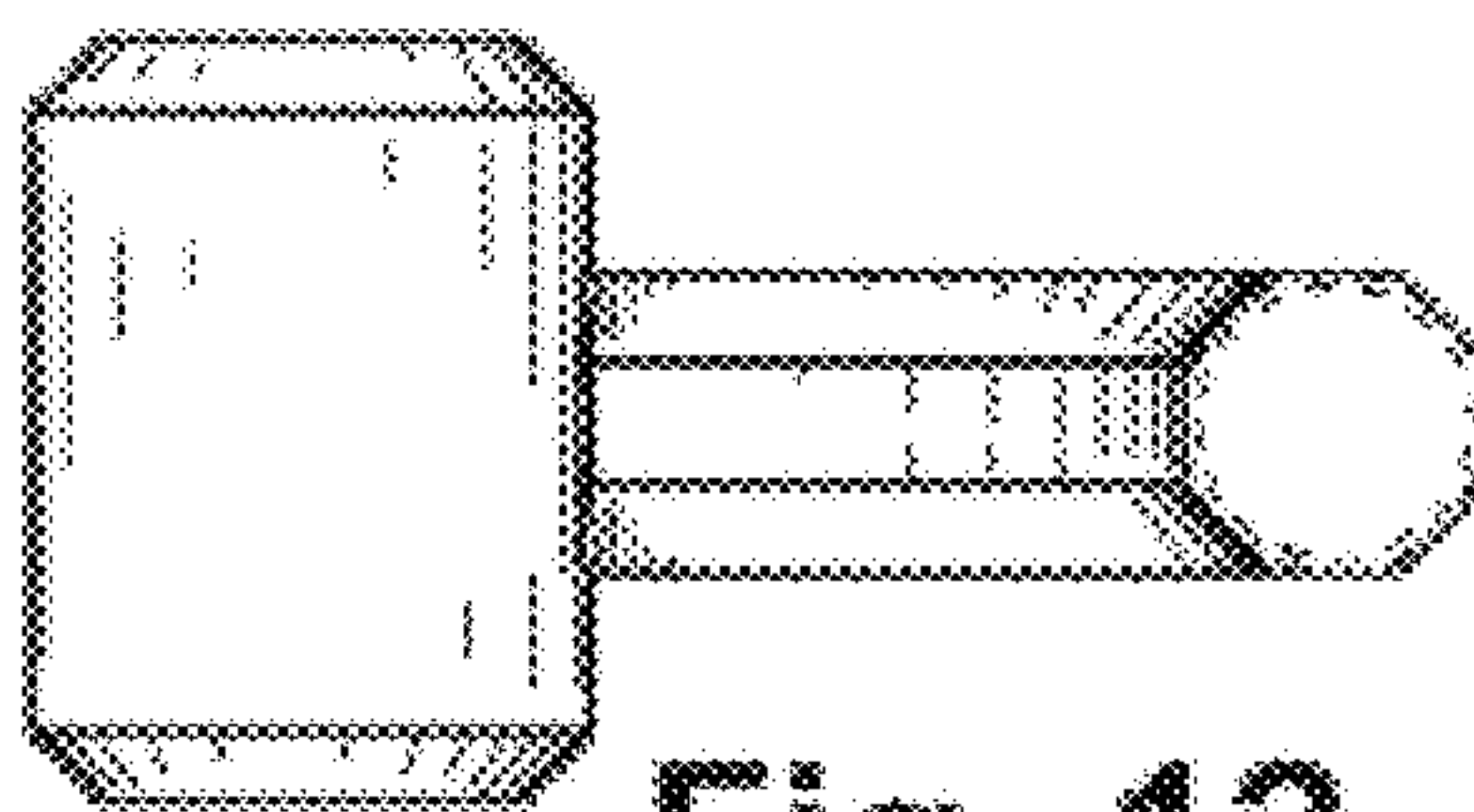


Fig. 12