



US00D563199S

(12) **United States Design Patent**  
**Liao**

(10) **Patent No.:** **US D563,199 S**

(45) **Date of Patent:** **\*\* Mar. 4, 2008**

(54) **HINGE FOR FRAMELESS TEMPERED GLASS DOOR**

(76) Inventor: **Shou-Hsing Liao**, No. 13, Longmen Rd., Xitun Dist., Taichung City (TW)

(\*\*) Term: **14 Years**

(21) Appl. No.: **29/254,778**

(22) Filed: **Mar. 1, 2006**

(51) **LOC (8) Cl.** ..... **08-06**

(52) **U.S. Cl.** ..... **D8/323**

(58) **Field of Classification Search** ..... D8/323, D8/324, 326, 327, 328, 329, 349, 354, 356; 16/234, 237, 239-241, 245-246, 249, 252, 16/254, 261-262, 265, 272, 277, 307, 319, 16/335, 339, 342, 379, 381-383, 384, 385, 16/386-387, 388, 389, 390, 221, DIG. 13, 16/DIG. 40, DIG. 43, 309, 316; D23/303; 248/280, 221.11; 4/236-240

See application file for complete search history.

(56) **References Cited**

**U.S. PATENT DOCUMENTS**

|               |         |            |       |        |
|---------------|---------|------------|-------|--------|
| D188,091 S *  | 6/1960  | Coggins    | ..... | D8/326 |
| 5,160,224 A * | 11/1992 | Schwiebert | ..... | 410/82 |
| D354,902 S *  | 1/1995  | Harris     | ..... | D8/323 |
| D468,252 S *  | 1/2003  | Morris     | ..... | D8/349 |

|                |         |               |       |        |
|----------------|---------|---------------|-------|--------|
| 6,517,634 B2 * | 2/2003  | Pang et al.   | ..... | 16/241 |
| 6,648,544 B2 * | 11/2003 | Liu           | ..... | 16/221 |
| D498,136 S *   | 11/2004 | Parker        | ..... | D8/323 |
| D500,441 S *   | 1/2005  | Senn          | ..... | D8/323 |
| D512,299 S *   | 12/2005 | Libert et al. | ..... | D8/323 |
| 7,127,777 B2 * | 10/2006 | Chiang        | ..... | 16/245 |

\* cited by examiner

*Primary Examiner*—T. Chase Nelson

(74) *Attorney, Agent, or Firm*—Birch, Stewart, Kolasch & Birch, LLP

(57) **CLAIM**

The ornamental design for “hinge for frameless tempered glass door”, as shown and described.

**DESCRIPTION**

FIG. 1 is a perspective view of “hinge for frameless tempered glass door” showing our new design thereof;

FIG. 2 is front side elevational view thereof;

FIG. 3 is a rear side elevational view thereof;

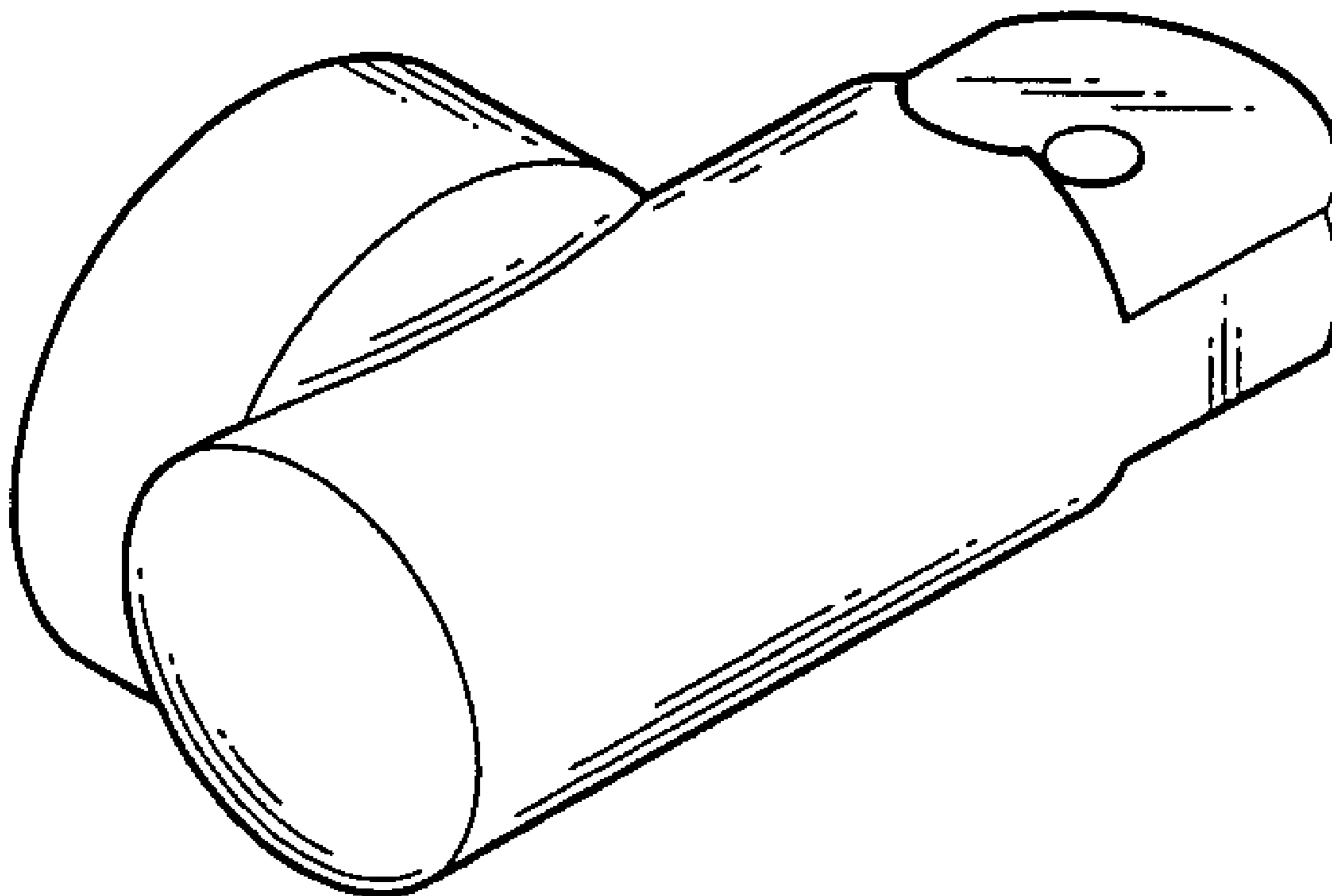
FIG. 4 is a left side elevational view thereof;

FIG. 5 is a right side elevational view thereof;

FIG. 6 is a top plan view thereof; and,

FIG. 7 is a bottom plan view thereof.

**1 Claim, 4 Drawing Sheets**



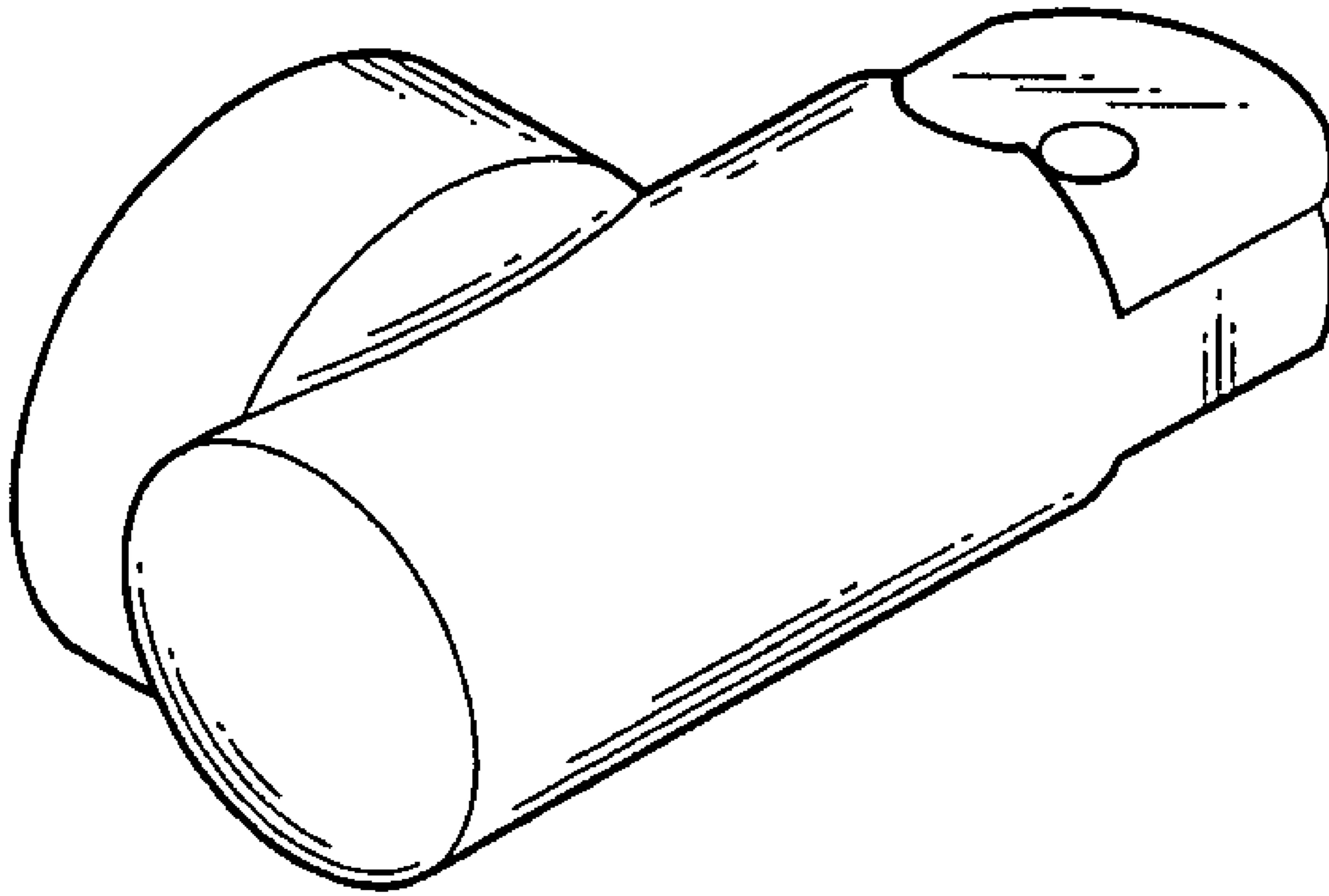


Fig . 1

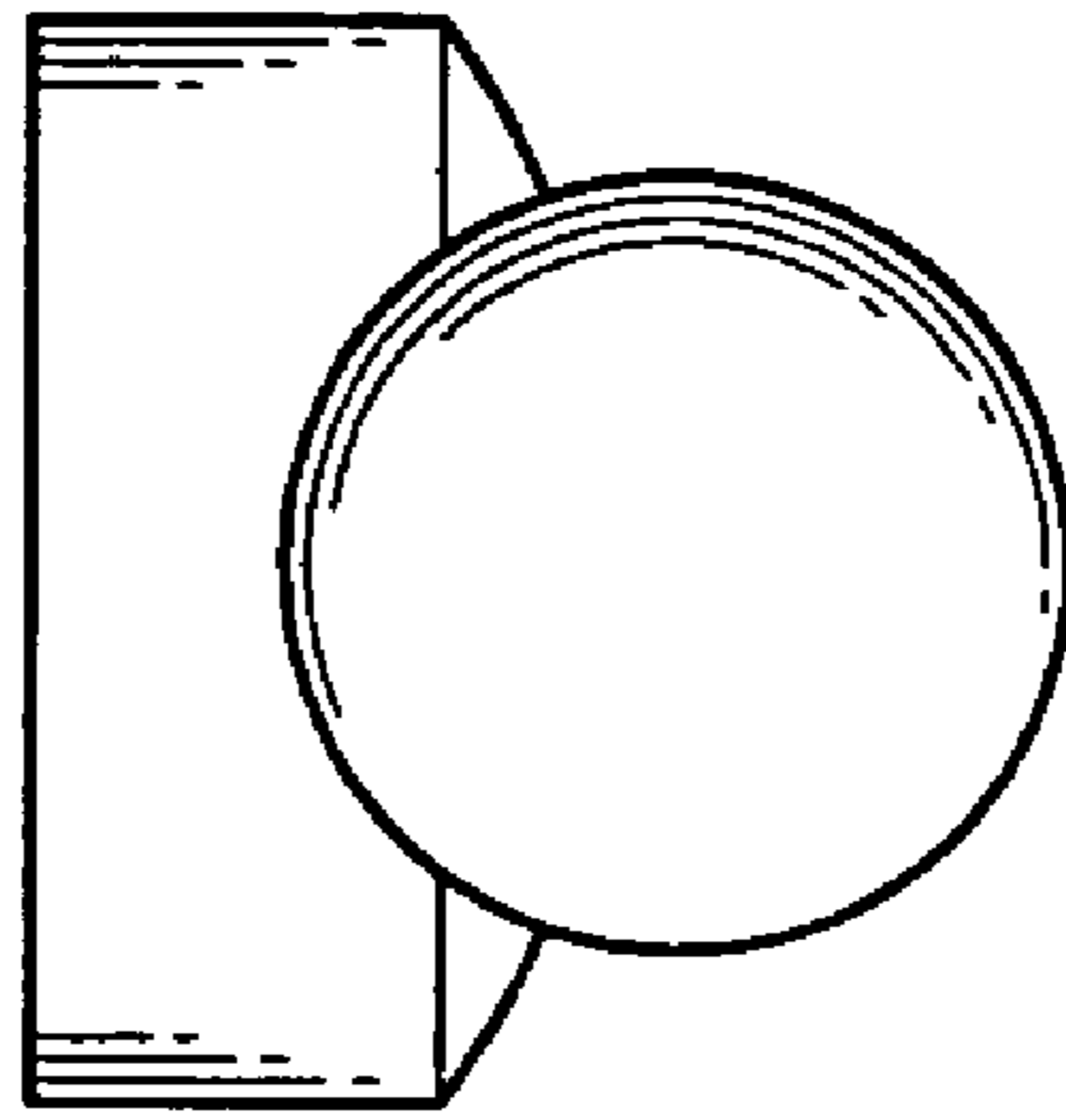


Fig . 2

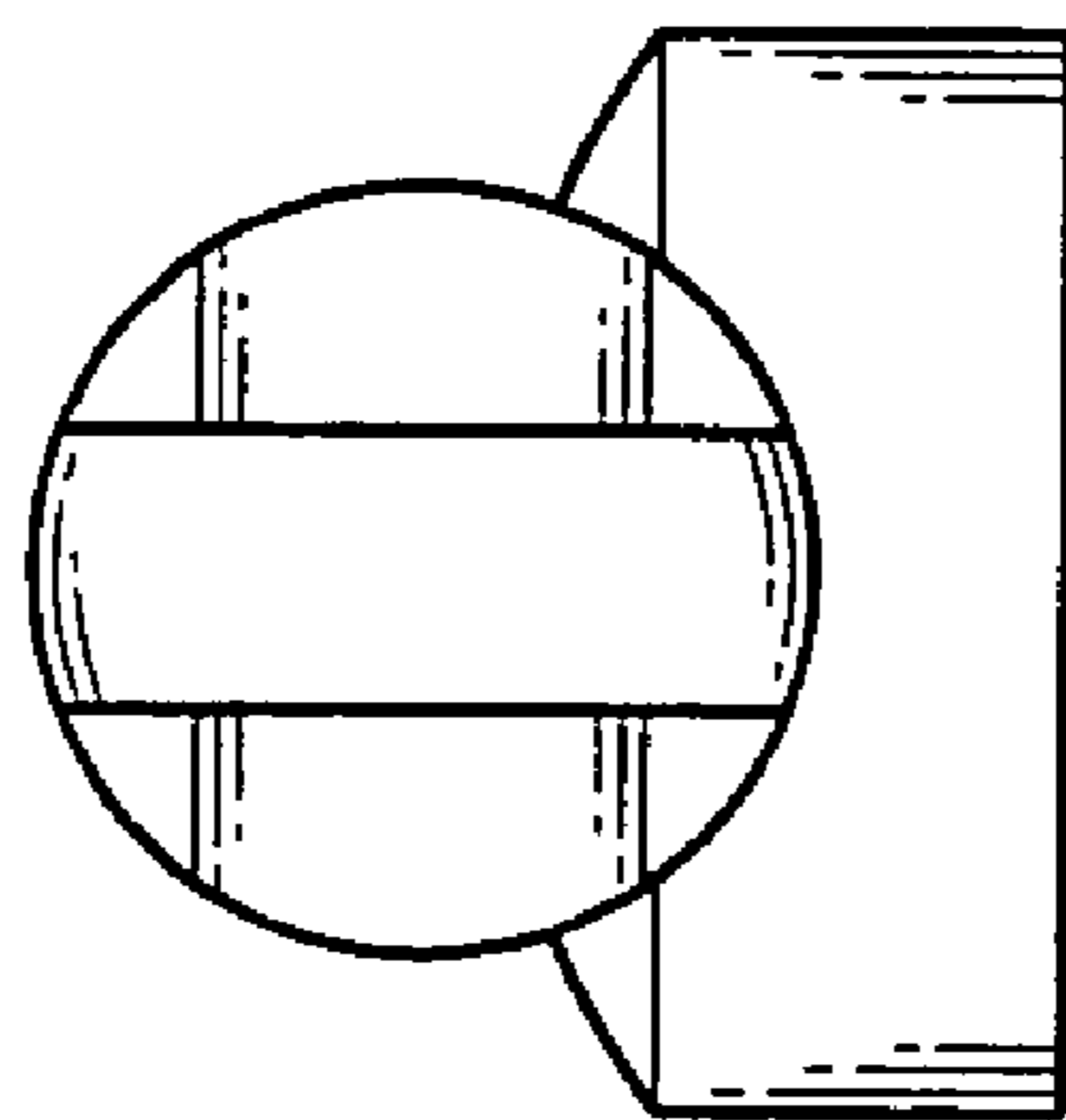


Fig . 3

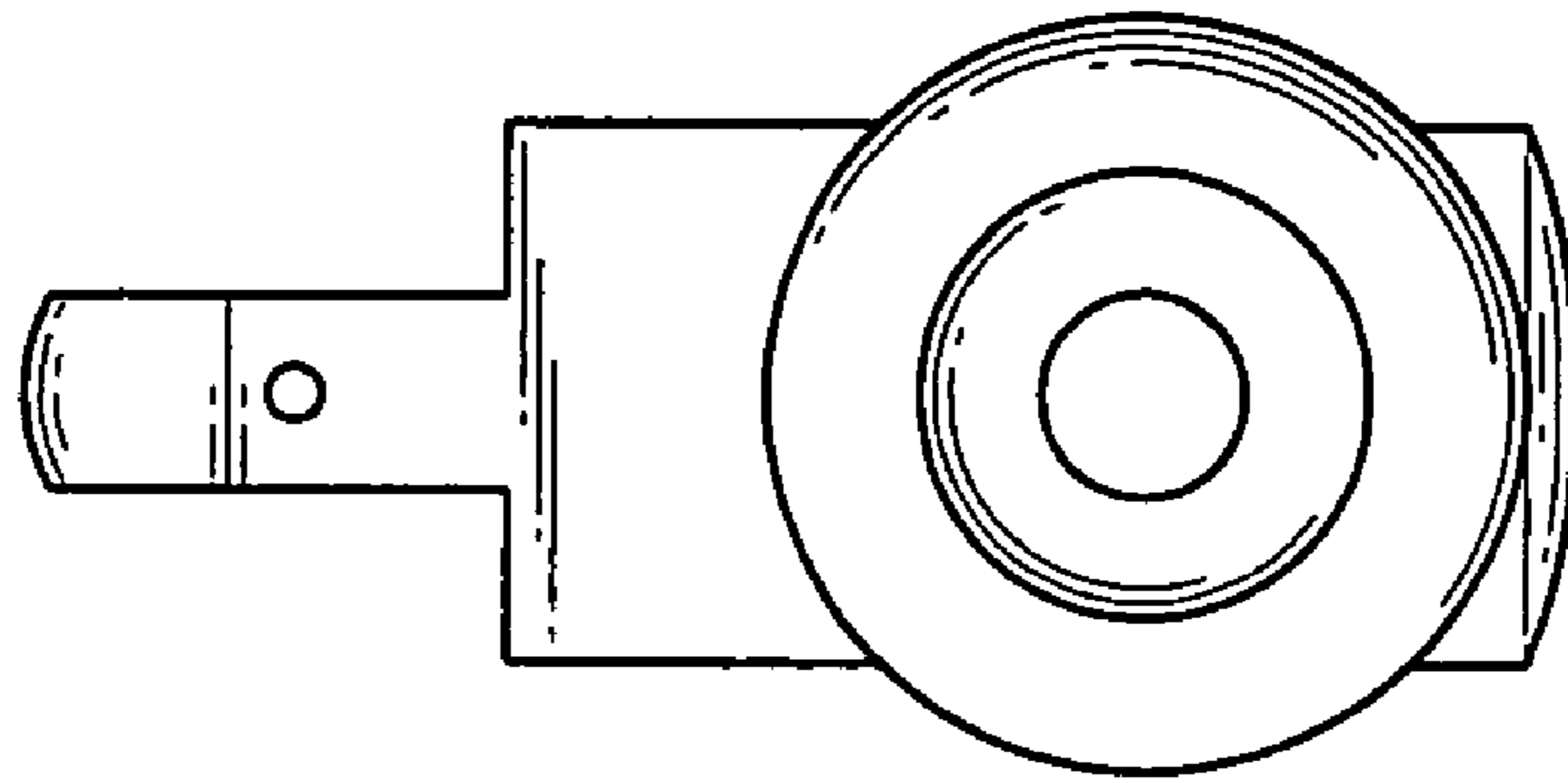


Fig . 4

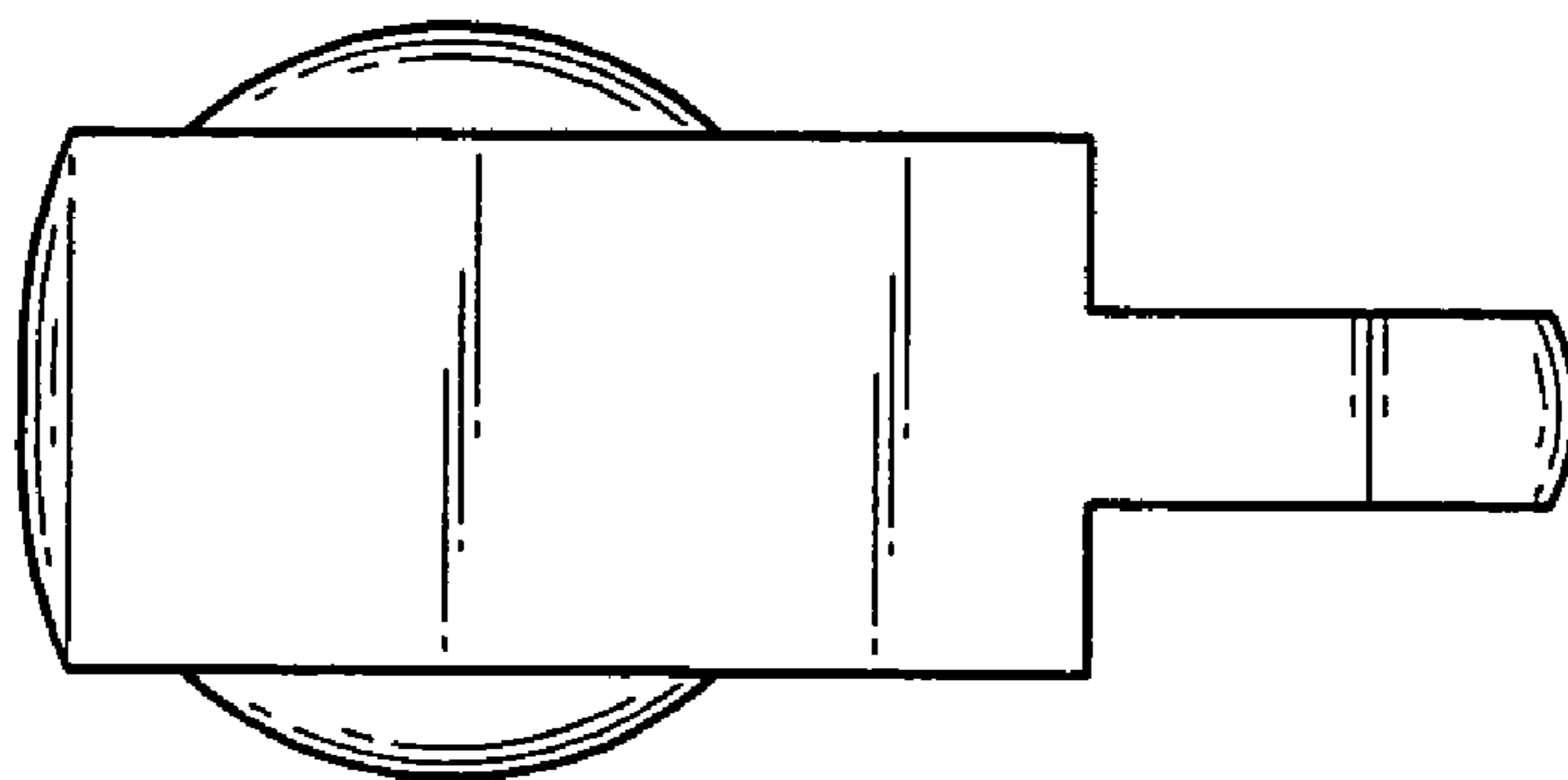


Fig . 5

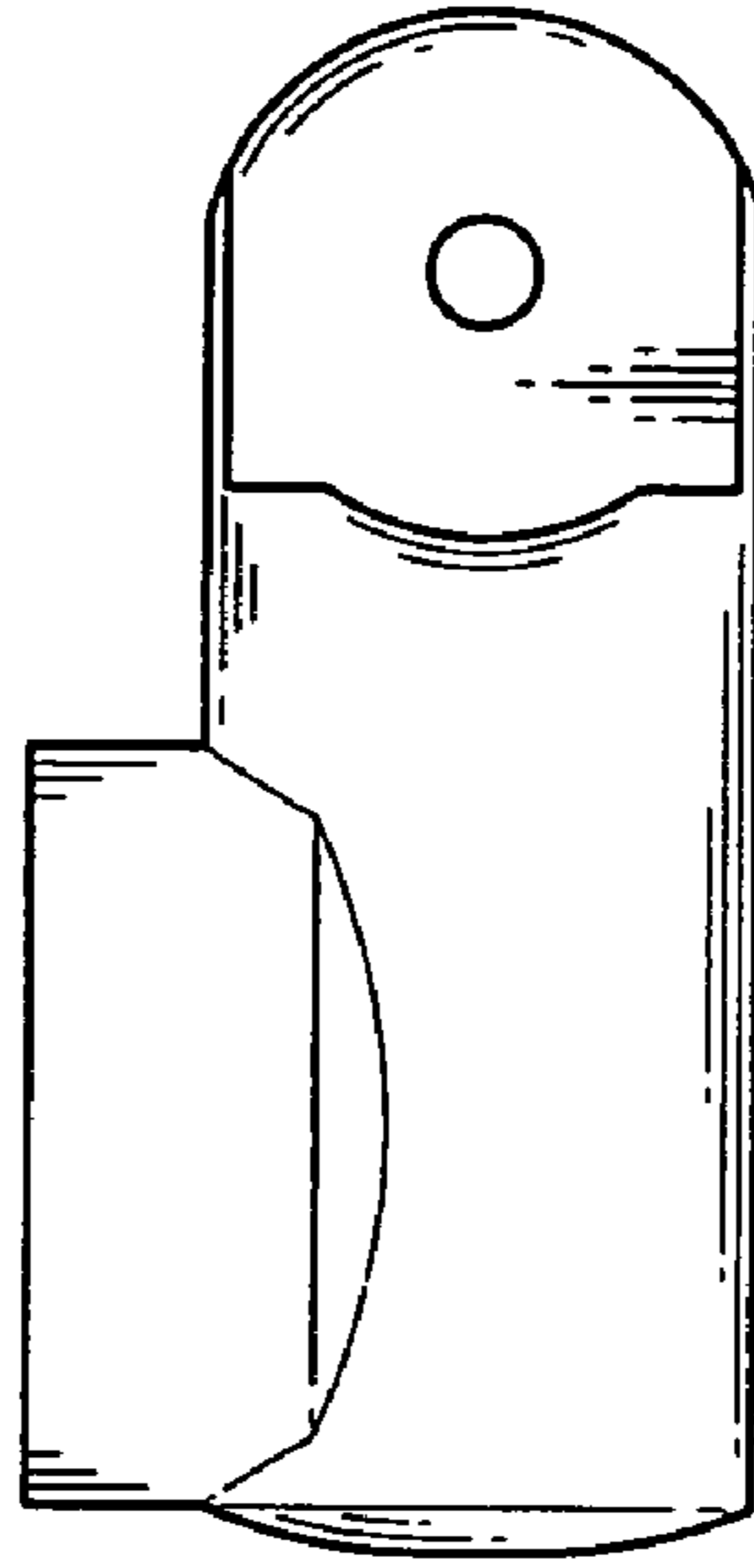


Fig . 6

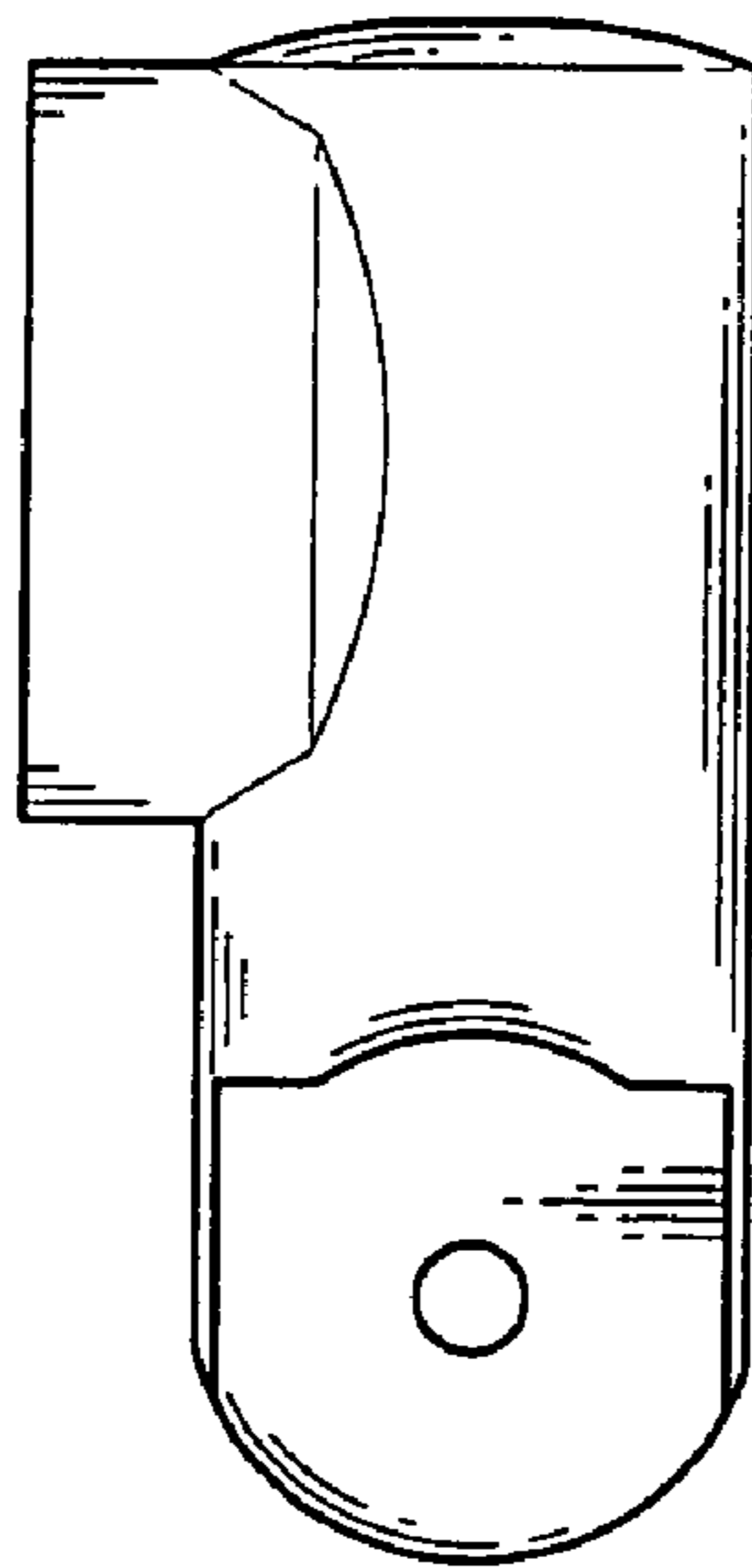


Fig . 7