

US00D563193S

(12) **United States Design Patent**
Lowe

(10) **Patent No.:** **US D563,193 S**
(45) **Date of Patent:** **** Mar. 4, 2008**

(54) **CABINET KNOB**

(75) **Inventor:** **Mark Jeffrey Lowe**, Bossier City, LA (US)

(73) **Assignee:** **Hardware Resources, Inc.**, Bossier City, LA (US)

(**) **Term:** **14 Years**

(21) **Appl. No.:** **29/269,594**

(22) **Filed:** **Dec. 4, 2006**

(51) **LOC (8) Cl.** **08-06**

(52) **U.S. Cl.** **D8/307**

(58) **Field of Classification Search** D8/300, D8/DIG. 1, DIG. 2, 307, 310, 313, 314, 316, D8/317, 318, 321, 353; D23/250-254; 16/110.1, 16/412, 414, 417, 422, 441, 443, 444, 446
See application file for complete search history.

(56) **References Cited**

U.S. PATENT DOCUMENTS

D227,737 S * 7/1973 Chasen D8/307

D327,530 S * 6/1992 Rawald D23/250
D373,247 S * 9/1996 Dickinson et al. D3/282
6,354,929 B1 * 3/2002 Adefris et al. 451/527
D523,635 S * 6/2006 Chen D3/282
D540,142 S * 4/2007 Rexach D8/307
D549,544 S * 8/2007 Mattson et al. D8/307

* cited by examiner

Primary Examiner—Paula A. Greene

(74) *Attorney, Agent, or Firm*—Schultz & Associates, P.C.

(57) **CLAIM**

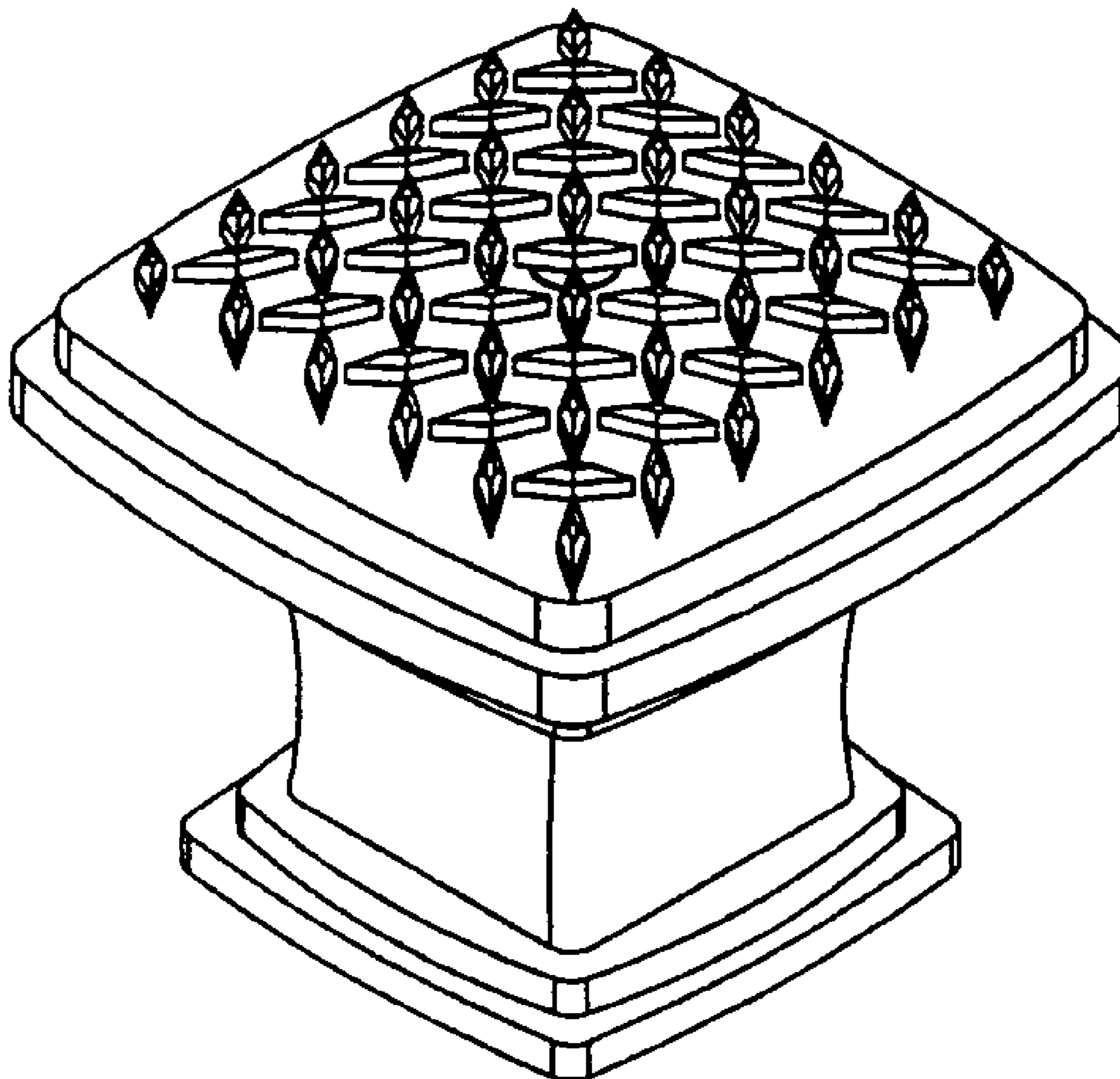
The ornamental design for a cabinet knob, as shown and described.

DESCRIPTION

FIG. 1 is a top isometric view of the cabinet knob in accordance with the present invention, the opposite side is a mirror image; and,

FIG. 2 is a bottom isometric view of the cabinet knob in accordance with the present invention, the undisclosed portion is not part of the claimed design.

1 Claim, 1 Drawing Sheet



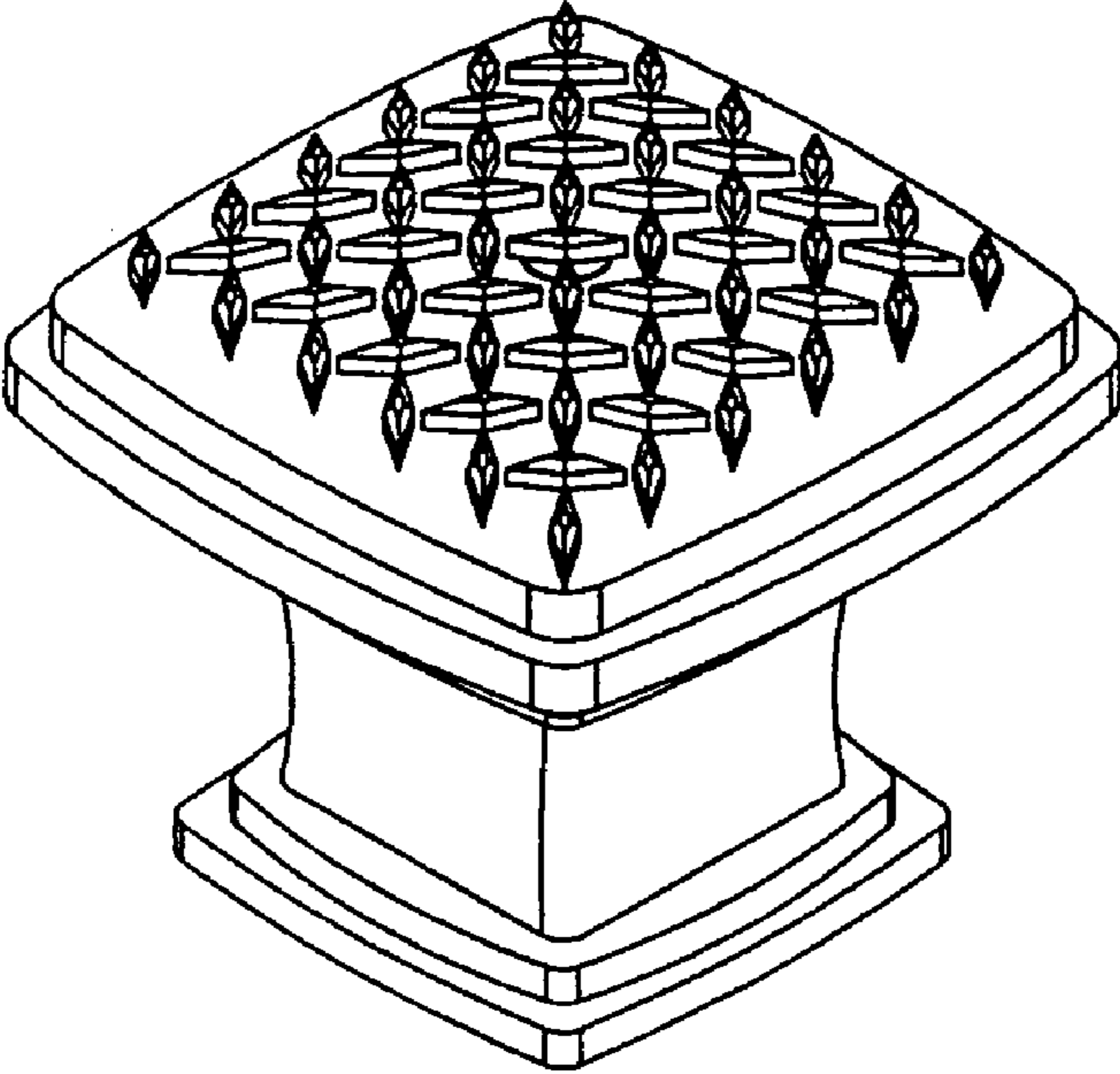


Figure 1

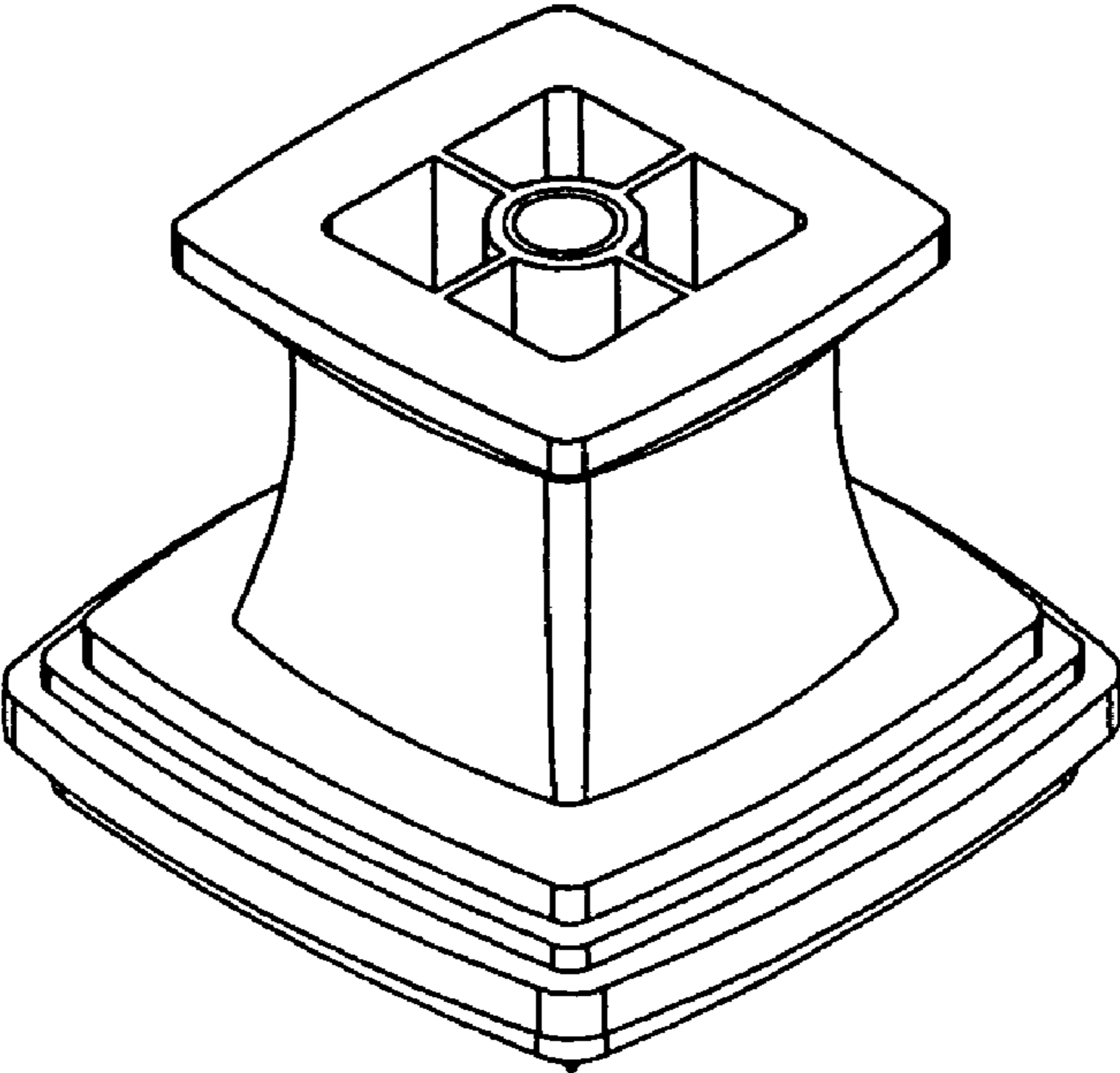


Figure 2