



US00D563192S

(12) **United States Design Patent** (10) **Patent No.:** **US D563,192 S**
Barry (45) **Date of Patent:** **** Mar. 4, 2008**

(54) **HANDLE**
(75) Inventor: **Barbara Barry**, Los Angeles, CA (US)
(73) Assignee: **Kohler Co.**, Kohler, WI (US)
(**) Term: **14 Years**
(21) Appl. No.: **29/258,351**
(22) Filed: **Apr. 20, 2006**

(51) **LOC (8) Cl.** **08-06**
(52) **U.S. Cl.** **D8/307; D23/245**
(58) **Field of Classification Search** D8/300,
D8/307, 308, 312, 316, DIG. 2, DIG. 3; D23/250–254,
D23/249, 245; 4/675–678, 670; D7/679;
126/317; 137/359, 801, 613; 251/110; 192/46,
192/48.1; 428/67; 16/432, 110.1; 264/278
See application file for complete search history.

(56) **References Cited**

U.S. PATENT DOCUMENTS

D76,995 S *	11/1928	Fraser	D23/254
D86,672 S *	4/1932	Ferguson	D23/250
2,290,249 A *	7/1942	Piperoux	428/67
2,838,270 A *	6/1958	Danielson	251/110
3,847,181 A *	11/1974	Scheiwer	137/613
D405,509 S *	2/1999	Doughty et al.	D23/252
D438,601 S *	3/2001	Caplow	D23/252
D455,195 S *	4/2002	McKeone	D23/249
D455,197 S *	4/2002	Caplow	D23/250
D494,253 S *	8/2004	Citterio	D23/245
D523,727 S *	6/2006	Haug et al.	D8/307
D530,791 S *	10/2006	Kohler et al.	D23/254

OTHER PUBLICATIONS

Kohler Co., “Memoirs with Stately Design”. Model No. K-T461-3S-CP/K-304-K-Na. Kohler Co. online catalog.

Kallista. “Barbara Barry Tuxedo Thermostatic Valve Trim with Classic Handle”. Kallista online catalog.
Kohler Co., “Forte Widespread Lavatory Faucet with Script Lever Handle”. Model No.: K-10272-4G. Kohler Co. online catalog.
Kohler Co., “Pinstripe Pure”. Model No.: K-T13133-37. Kohler Co. online catalog.

* cited by examiner

Primary Examiner—Paula A. Greene
(74) *Attorney, Agent, or Firm*—Quarles & Brady LLP

(57) **CLAIM**

The ornamental design for a handle, as shown and described.

DESCRIPTION

In a preferred embodiment, the nature of this product is a handle for a plumbing fixture such as a shower water control or a faucet.

FIG. 1 is a left, top, front perspective view of a handle according to my new design;

FIG. 2 is a front elevational view thereof;

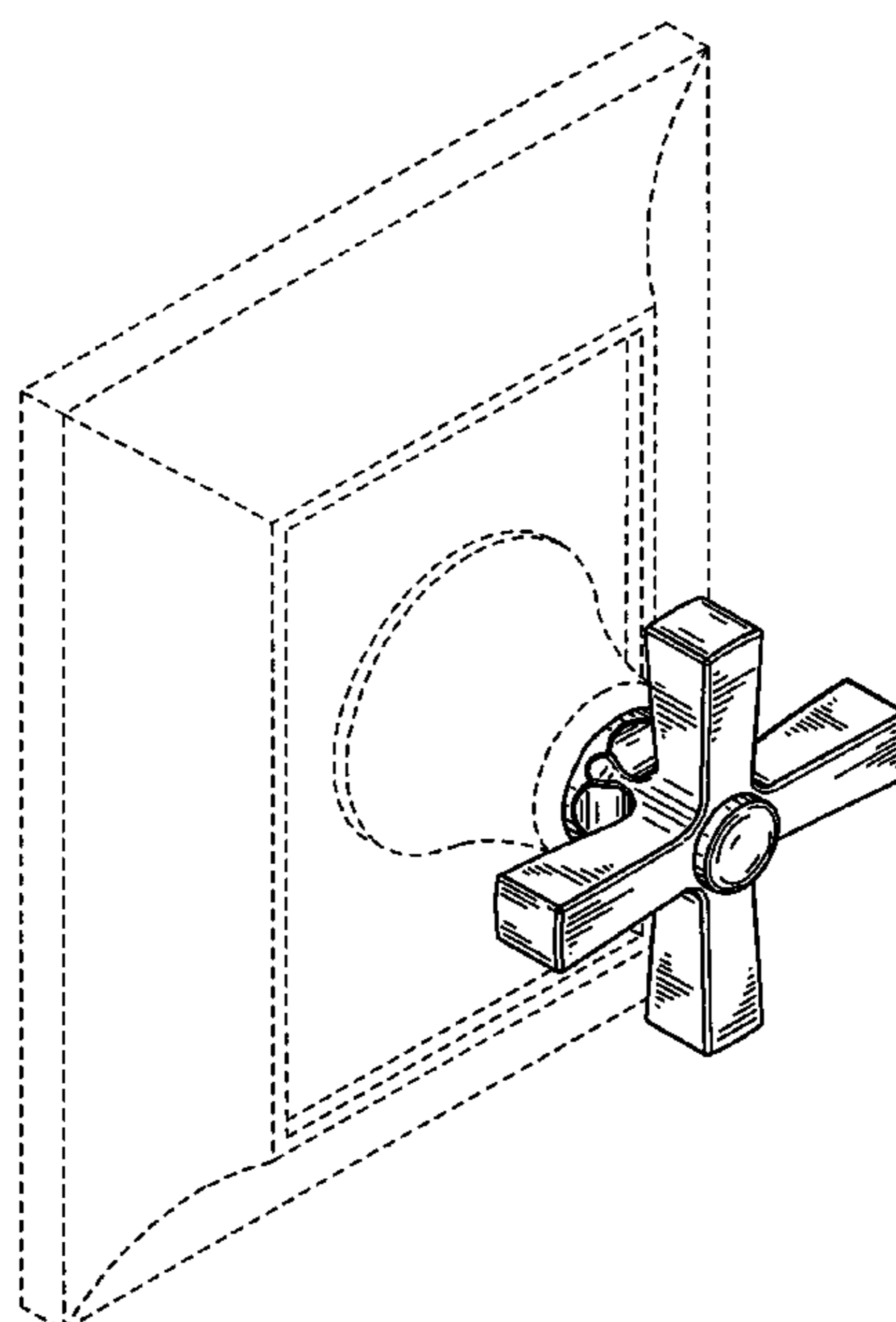
FIG. 3 is a left side elevational view thereof, the right side elevational view thereof being a mirror image of the left side shown;

FIG. 4 is a top plan view thereof; and,

FIG. 5 is a rear elevational view thereof taken along line 5—5 of FIG. 4.

The broken line representations of wall plate and escutcheon environment in FIGS. 1–4 and of an opening in FIG. 5, are for the purpose of illustration only, and form no part of the claimed design.

1 Claim, 4 Drawing Sheets



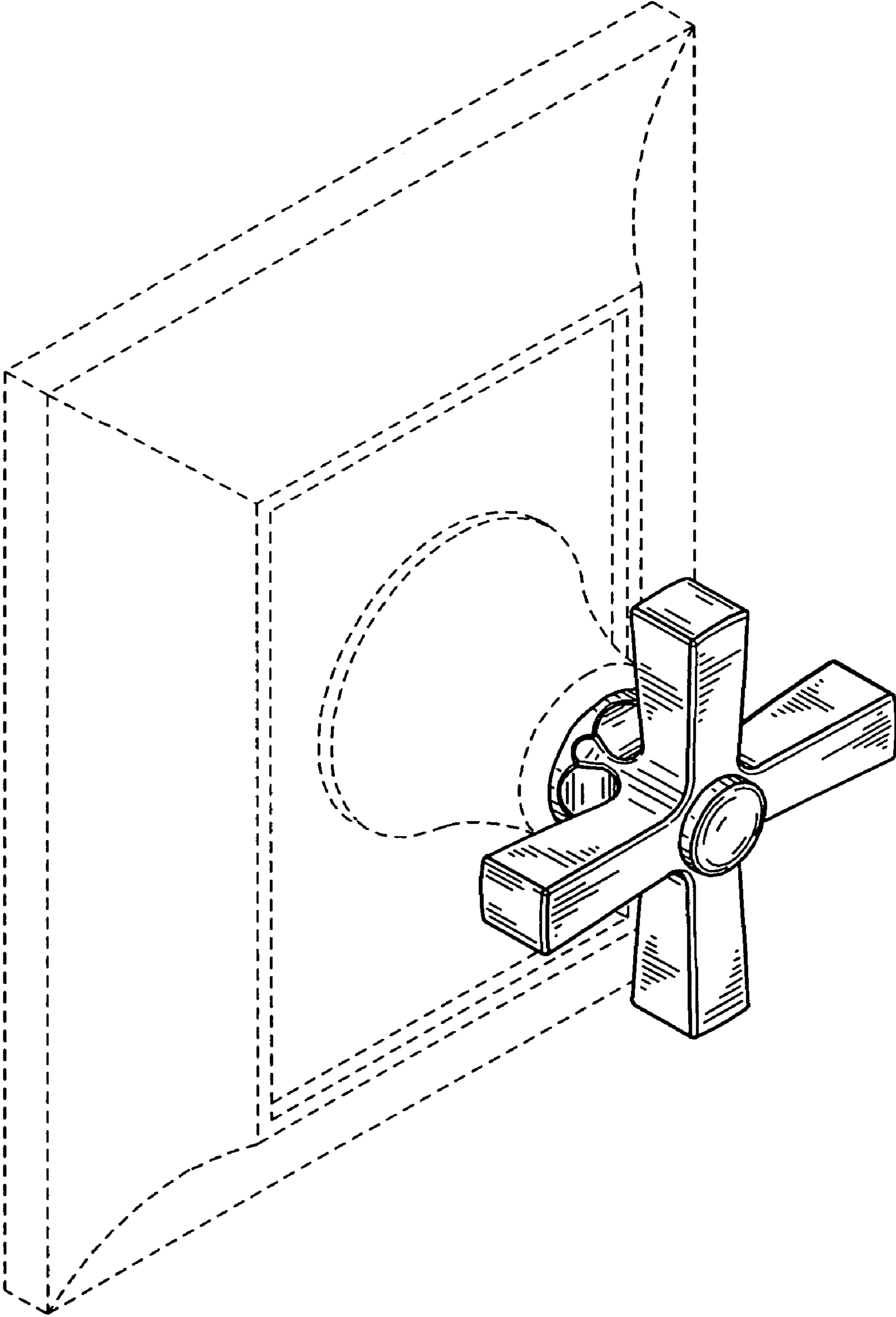


FIG. 1

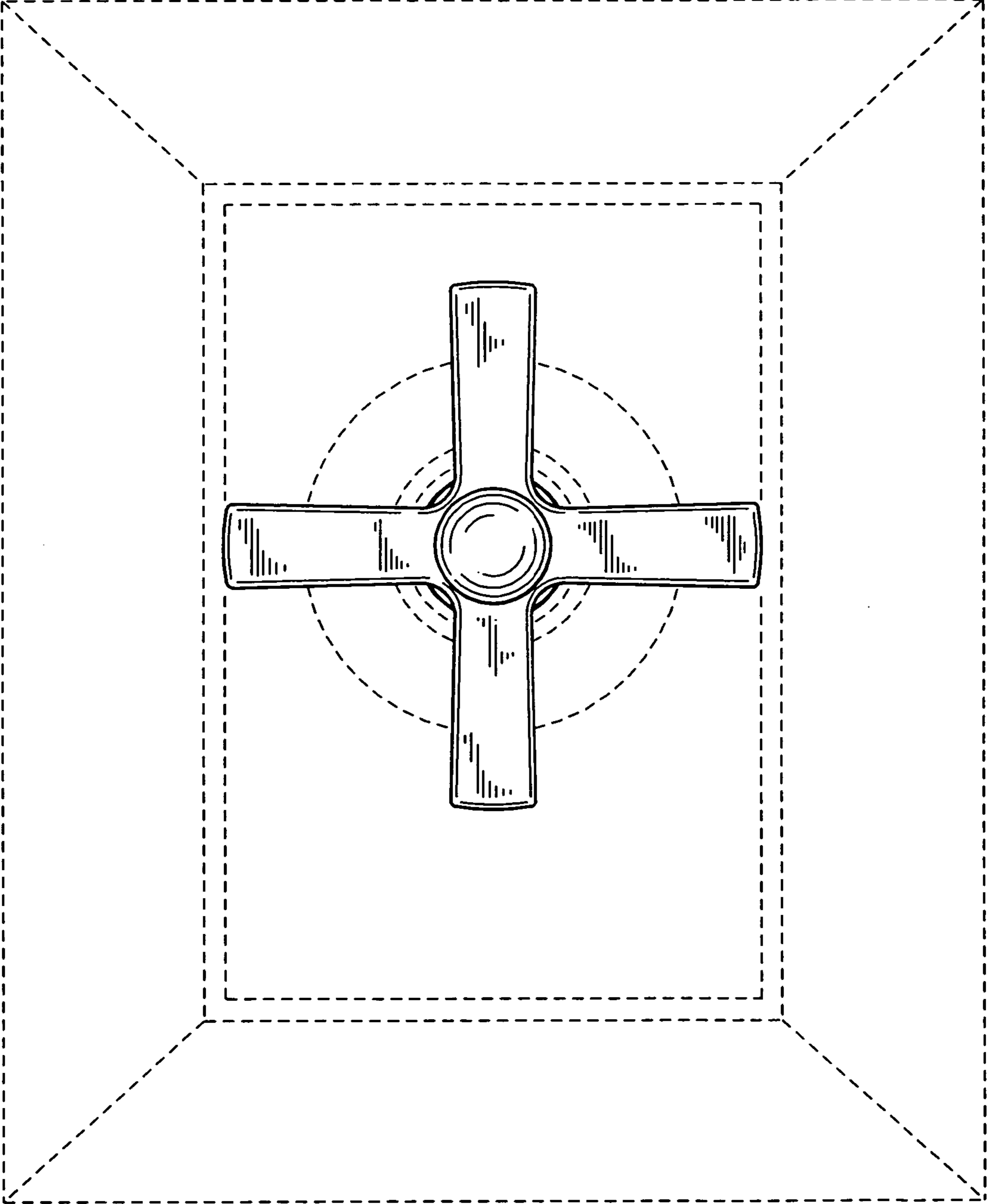


FIG. 2

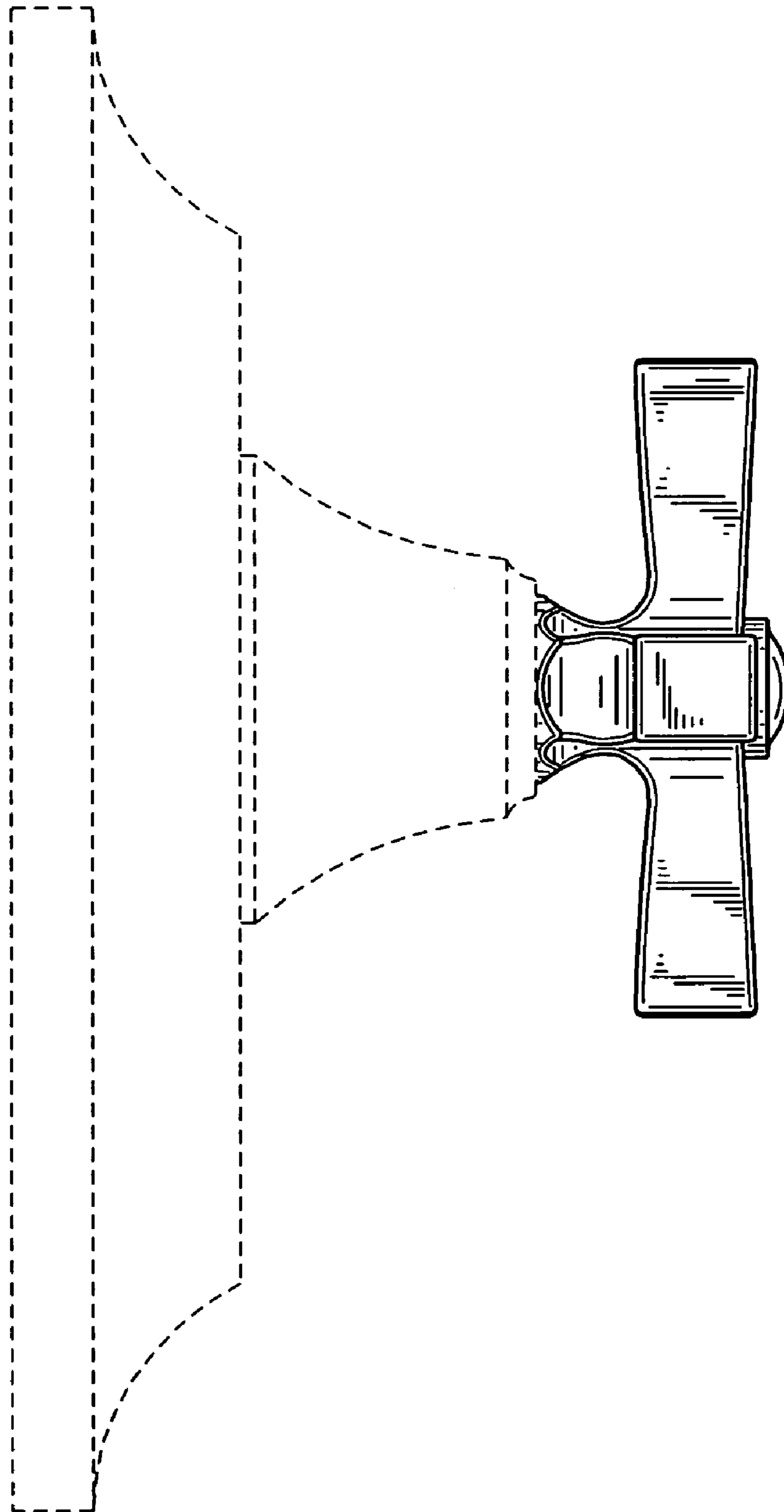


FIG. 3

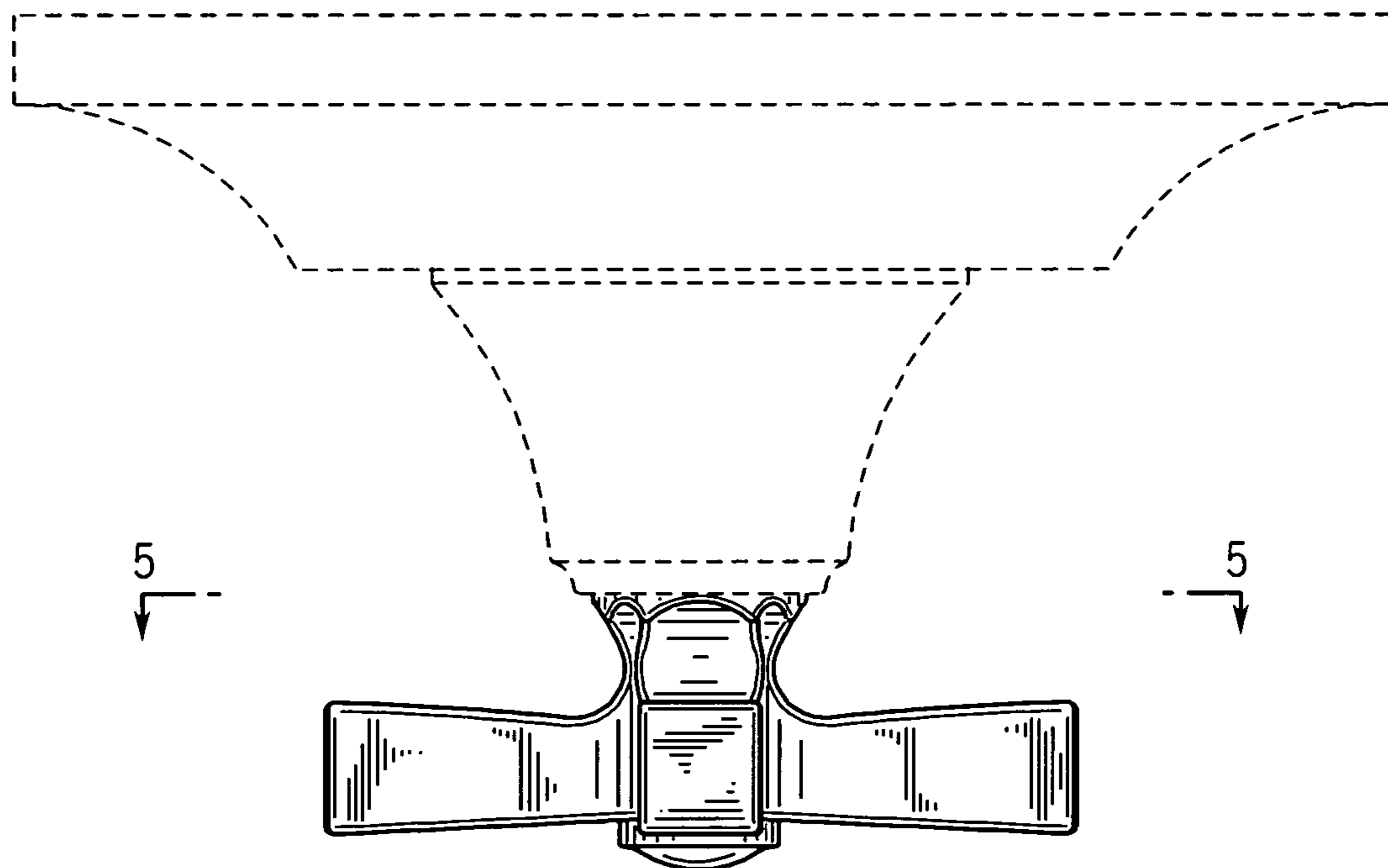


FIG. 4

FIG. 5

