



US00D563185S

(12) **United States Design Patent**
Concari

(10) **Patent No.:** **US D563,185 S**
(45) **Date of Patent:** **** Mar. 4, 2008**

(54) **CORDLESS DRILL**

(75) Inventor: **Gabriel E. Concari**, Eldersburg, MD
(US)

(73) Assignee: **Black & Decker Inc.**, Newark, DE
(US)

(**) Term: **14 Years**

(21) Appl. No.: **29/250,286**

(22) Filed: **Nov. 9, 2006**

Related U.S. Application Data

(62) Division of application No. 29/260,034, filed on May 18, 2006, now Pat. No. Des. 534,405.

(51) **LOC (8) Cl.** **08-01**

(52) **U.S. Cl.** **D8/68**

(58) **Field of Classification Search** D8/14.1,
D8/61-70; 81/57.11, 429, 454-456, 469,
81/489; 173/13, 104, 114, 168-171, 178,
173/201, 211, 213, 217; 408/20, 124, 125,
408/234, 241 R; 451/358; 310/50; 227/8,
227/113, 114, 120, 130, 136, 142
See application file for complete search history.

(56) **References Cited**

U.S. PATENT DOCUMENTS

- D243,652 S * 3/1977 Zurwelle et al. D8/68
- D296,072 S * 6/1988 Mochida D8/68
- D300,503 S * 4/1989 Schultz D8/68
- 5,025,903 A * 6/1991 Elligson 173/13
- D332,208 S * 1/1993 Sakamoto et al. D8/68
- D339,727 S * 9/1993 Kikuchi D8/68
- D340,393 S * 10/1993 Okumura D8/68
- D345,090 S * 3/1994 Okumura D8/68
- 5,451,127 A * 9/1995 Chung 408/20
- D384,261 S * 9/1997 Hayakawa et al. D8/68
- D384,262 S * 9/1997 Hayakawa et al. D8/68

- D402,872 S * 12/1998 Clowers et al. D8/68
- D404,275 S * 1/1999 Bunyea et al. D8/68
- D418,730 S * 1/2000 Main D8/68
- D467,481 S * 12/2002 Watson D8/68
- D470,028 S * 2/2003 Cooper D8/68
- 6,729,414 B2 * 5/2004 Cooper et al. 173/217
- 7,018,142 B2 * 3/2006 Cooper 408/124
- D539,109 S * 3/2007 Aglassinger D8/68
- 2004/0011544 A1 * 1/2004 Cooper et al. 173/217
- 2004/0013486 A1 * 1/2004 Cooper 408/241 R
- 2006/0011367 A1 * 1/2006 Teng et al. 173/217

FOREIGN PATENT DOCUMENTS

- GB 2033199 S * 8/1993
- GB 2049686 S * 8/1995
- GB 3001390 S * 2/2002
- GB 3009435 S * 12/2002

* cited by examiner

Primary Examiner—T. Chase Nelson

(74) *Attorney, Agent, or Firm*—Michael P. Leary; Charles E. Yocum; Adan Ayala

(57) **CLAIM**

The ornamental design for a cordless drill, as shown and described.

DESCRIPTION

FIG. 1 is a left/front perspective view of a cordless drill.

FIG. 2 is a front elevational view thereof.

FIG. 3 is a rear elevational view thereof.

FIG. 4 is a right side elevational view thereof.

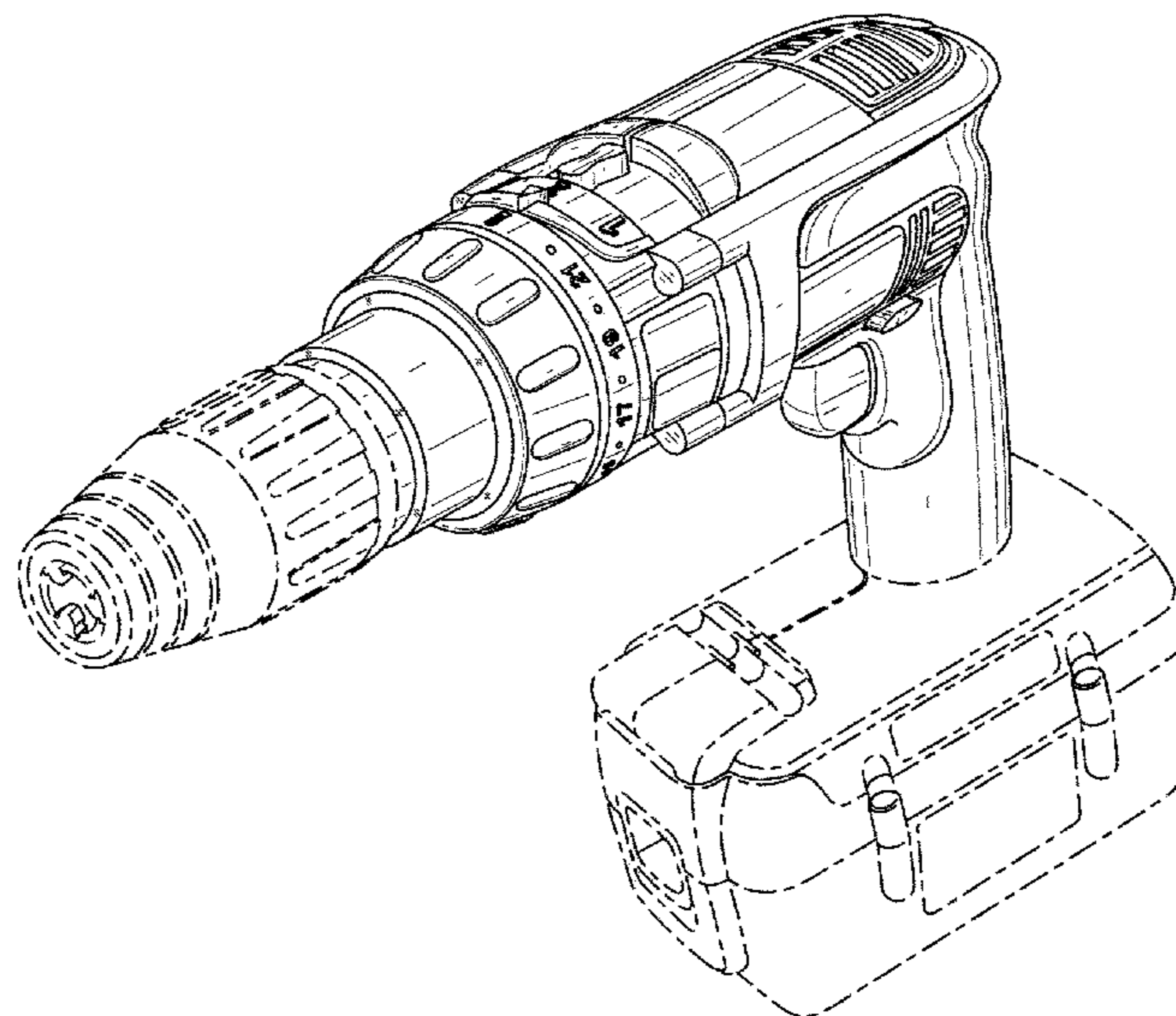
FIG. 5 is a left side elevational view thereof.

FIG. 6 is a top plan view thereof; and,

FIG. 7 is a bottom plan view thereof.

The broken lines and the areas within the broken lines form no part of the claimed ornamental design.

1 Claim, 5 Drawing Sheets



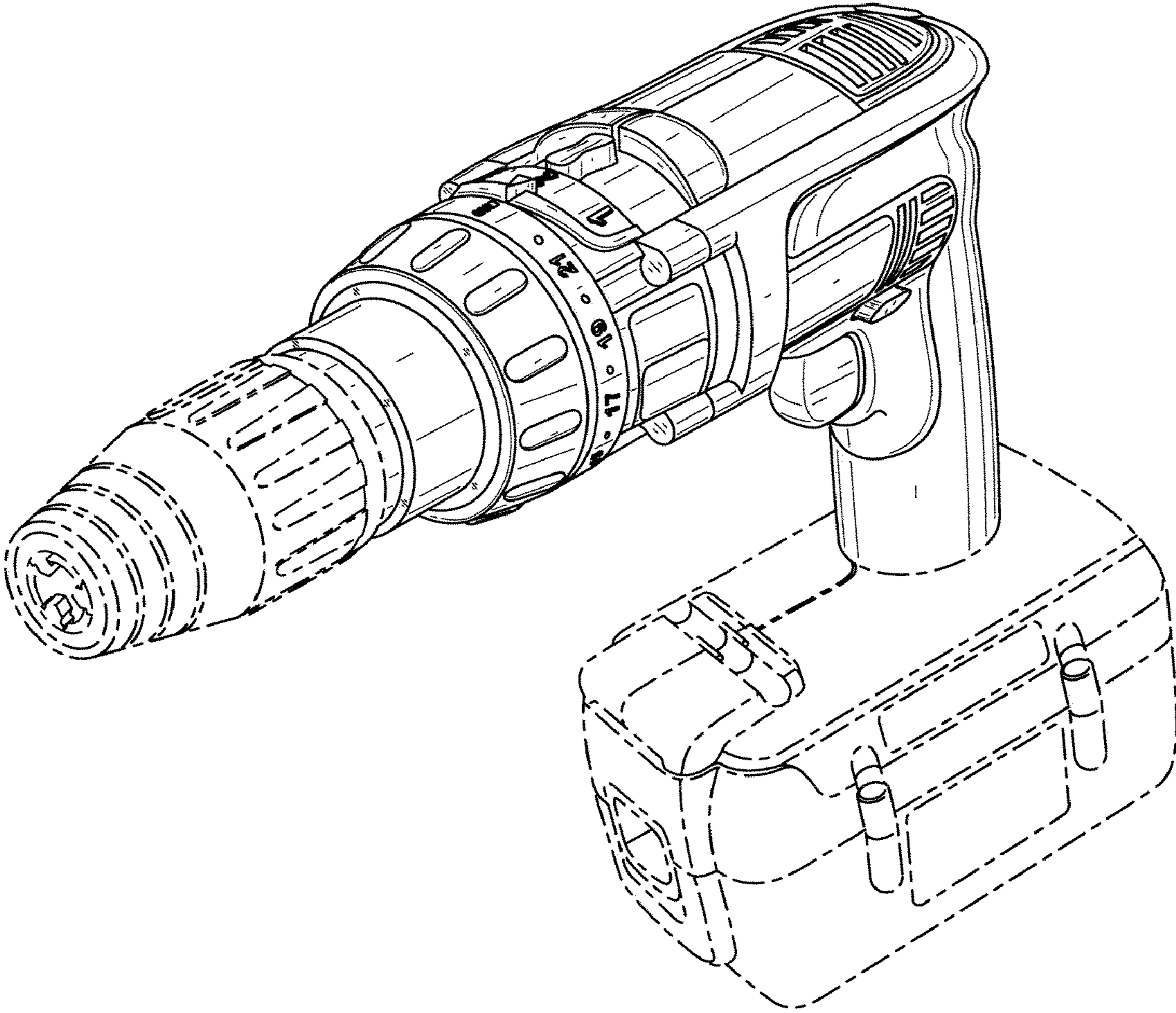


FIG. 1

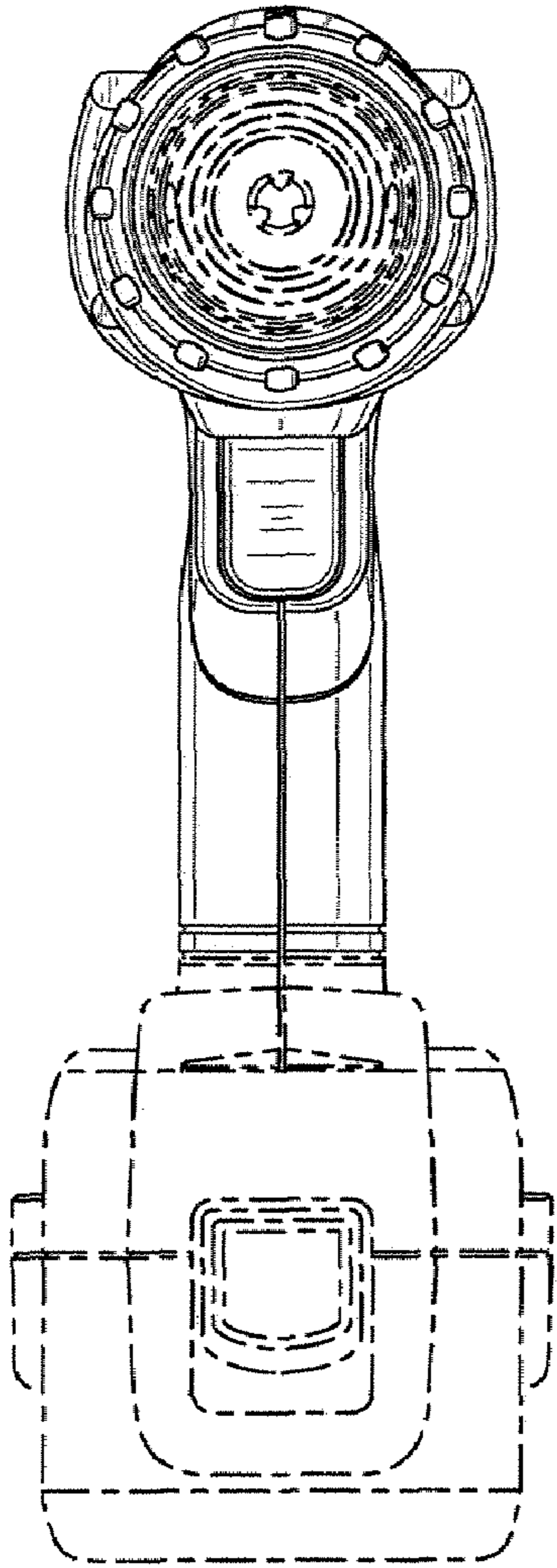


FIG. 2

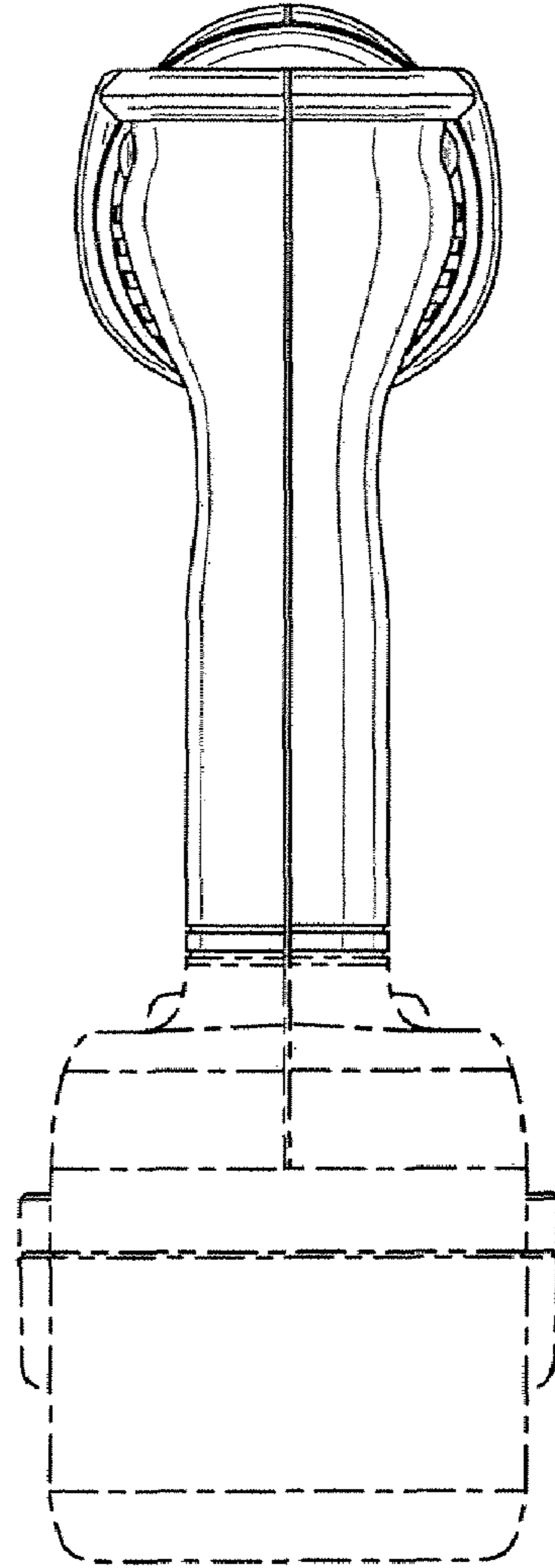


FIG. 3

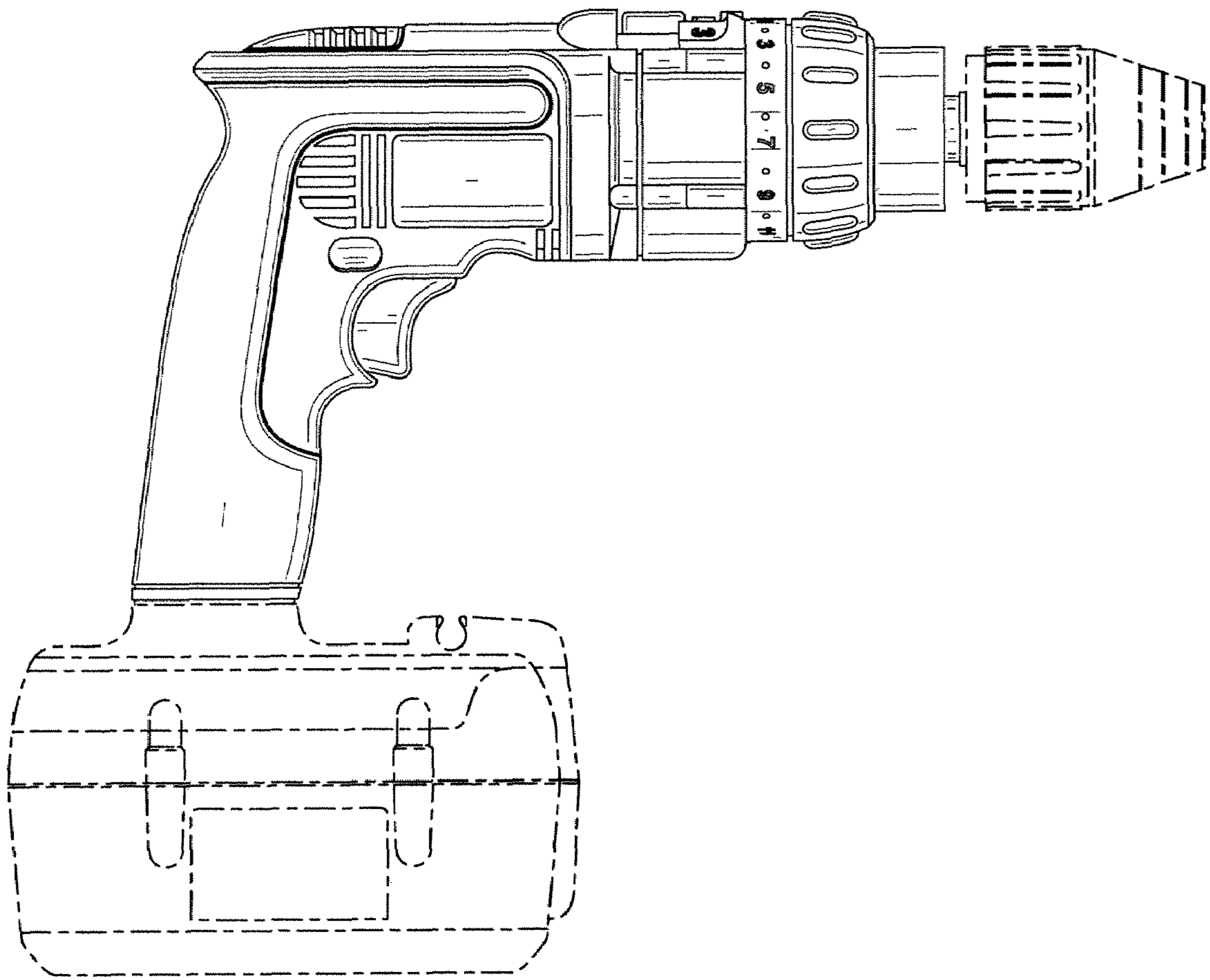


FIG. 4

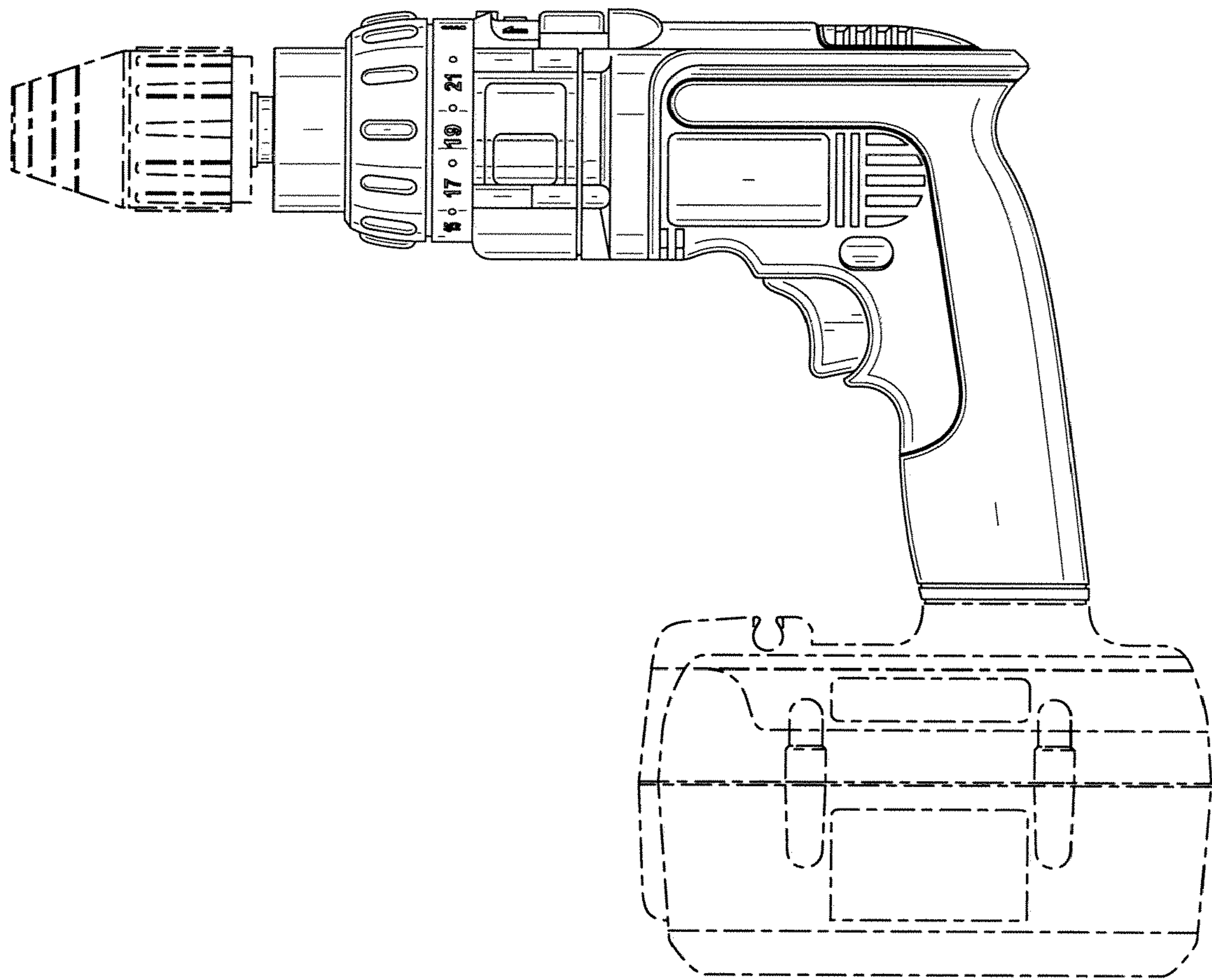


FIG. 5

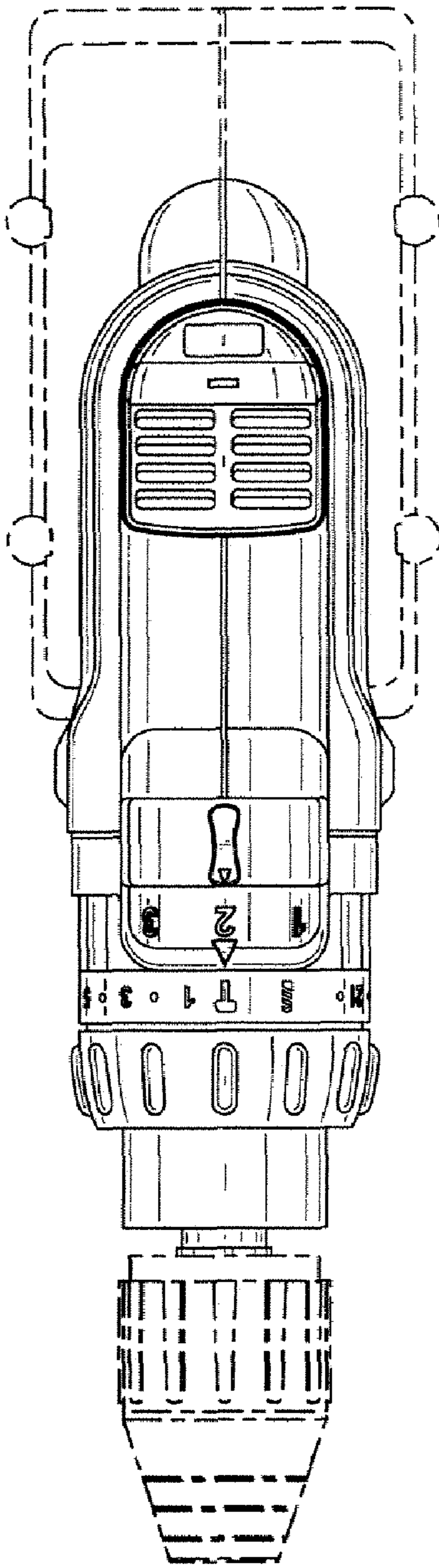


FIG. 6

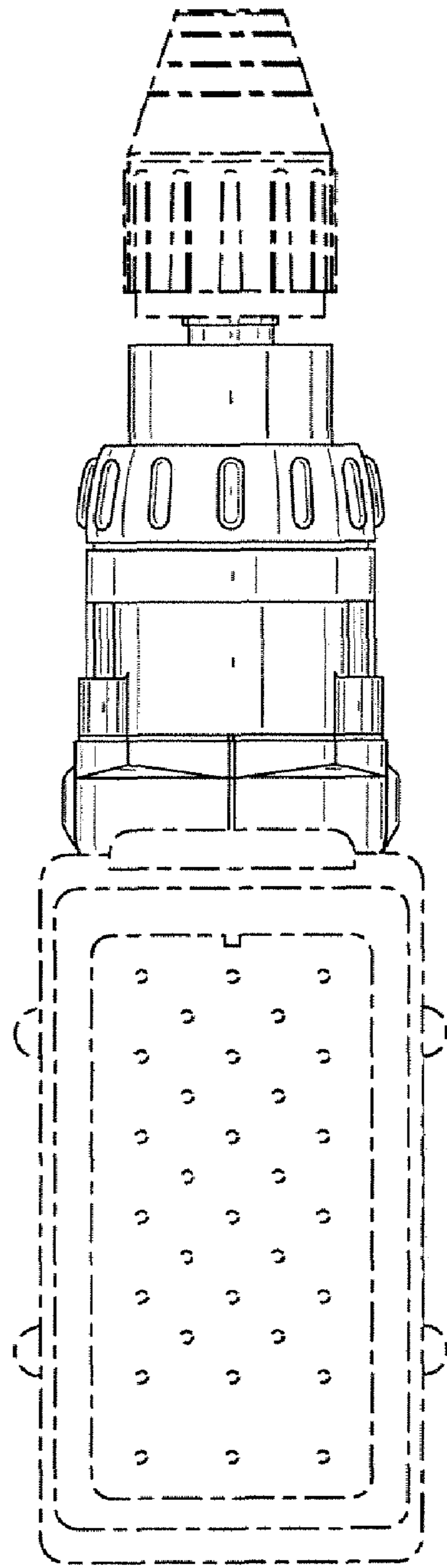


FIG. 7