



US00D563184S

(12) **United States Design Patent**
Phillips et al.

(10) **Patent No.:** **US D563,184 S**

(45) **Date of Patent:** **** *Mar. 4, 2008**

(54) **SCISSORS**

D234,117 S * 1/1975 Laurenti D8/57
D430,471 S * 9/2000 Bae D8/57

(75) Inventors: **Marta Phillips**, Fairfield, CT (US);
David Mathieu, South Glastonbury, CT
(US); **Kirsten Paindiris**, Hebron, CT
(US); **Chris Switalski**, Suffield, CT
(US)

* cited by examiner

Primary Examiner—Clare E Heflin

(74) *Attorney, Agent, or Firm*—Jonathan M. Fritz; Whyte
Hirschboeck Dudek, S.C.

(73) Assignee: **Acme United Corporation**, Fairfield,
CT (US)

(57) **CLAIM**

(*) Notice: This patent is subject to a terminal dis-
claimer.

The ornamental design for scissors, as shown and described.

(**) Term: **14 Years**

DESCRIPTION

(21) Appl. No.: **29/187,658**

FIG. 1 is a perspective view of the scissors according to the
present invention;

(22) Filed: **Aug. 5, 2003**

FIG. 2 is a plan view of the scissors of FIG. 1;

(51) **LOC (8) Cl.** **08-03**

(52) **U.S. Cl.** **D8/57**

(58) **Field of Classification Search** D8/57,
D8/107; 7/135, 136; 30/131, 195, 358,
30/229–262

FIG. 3 is a plan view, opposite FIG. 2, of the scissors of FIG.
1;

FIG. 4 is a first side view of the scissors of FIG. 1;

FIG. 5 is a second side view, opposite the first side view, of
the scissors of FIG. 4;

See application file for complete search history.

FIG. 6 is an end view of the scissors of FIG. 1; and,

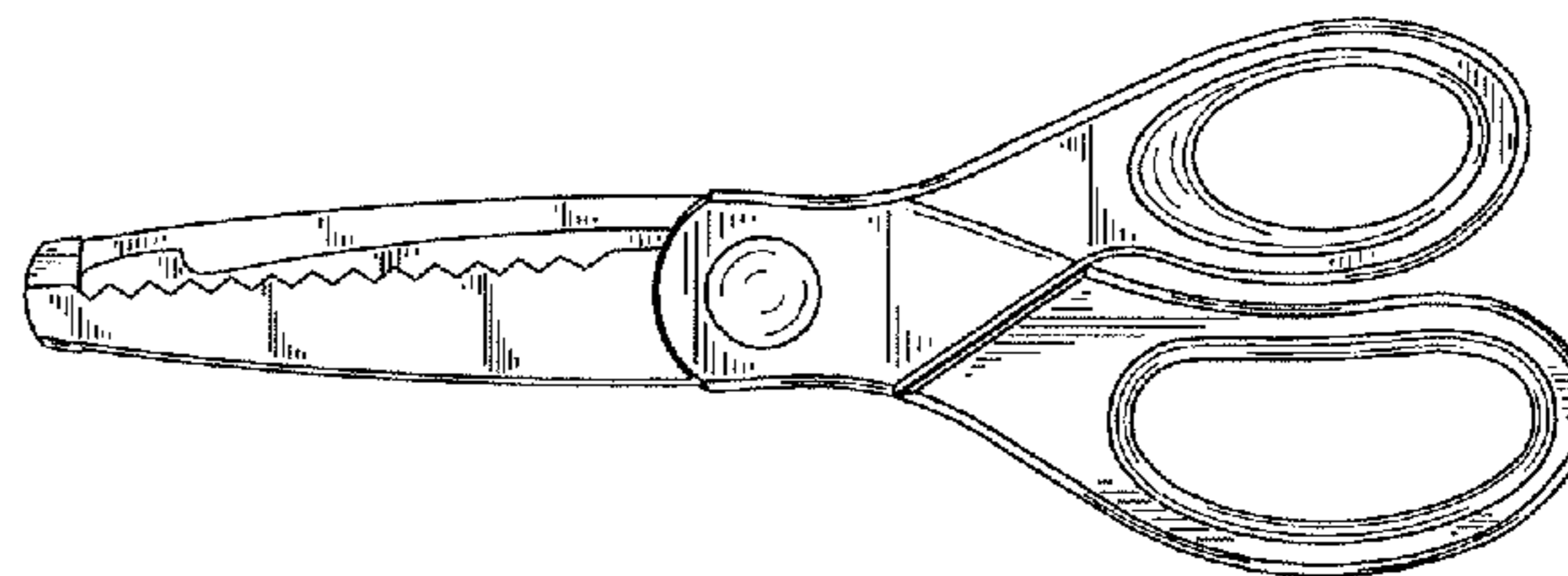
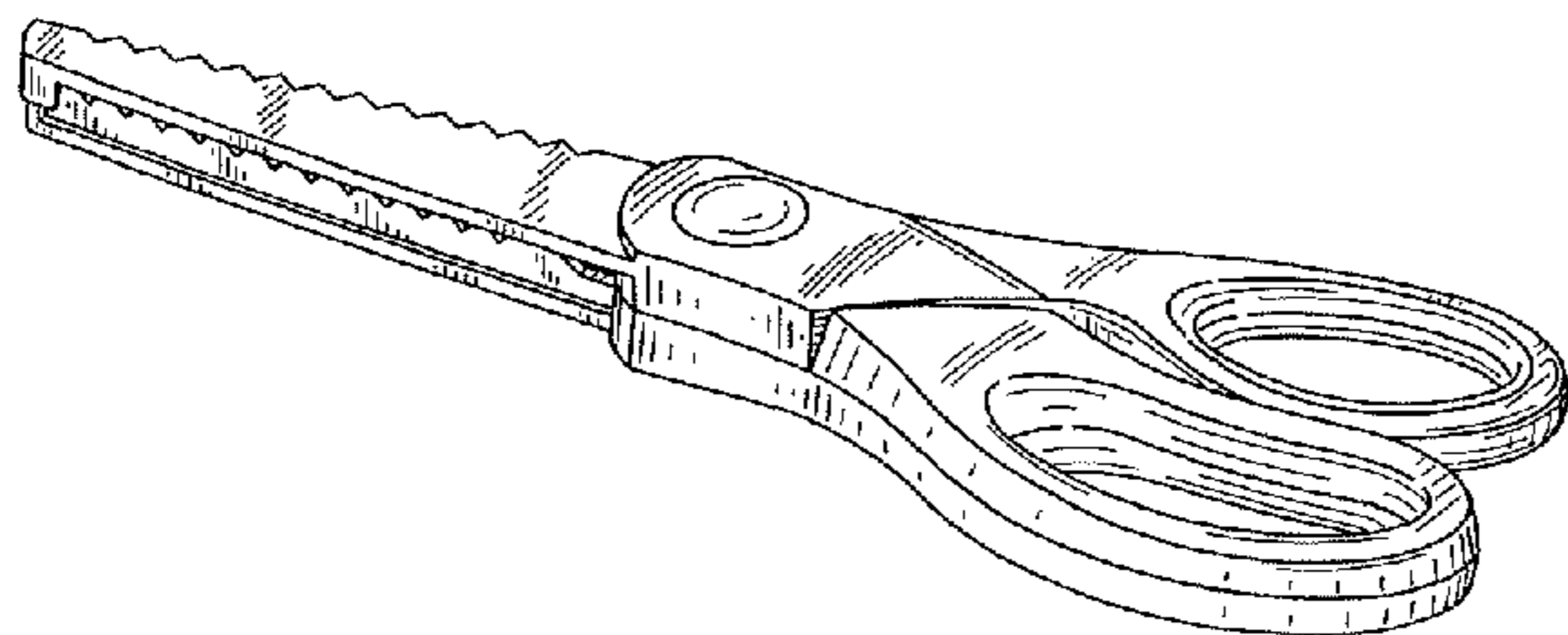
FIG. 7 is an end view, opposite the end view of FIG. 6, of
the scissors of FIG. 1.

(56) **References Cited**

U.S. PATENT DOCUMENTS

2,008,631 A * 7/1935 Udkovich 30/195

1 Claim, 2 Drawing Sheets



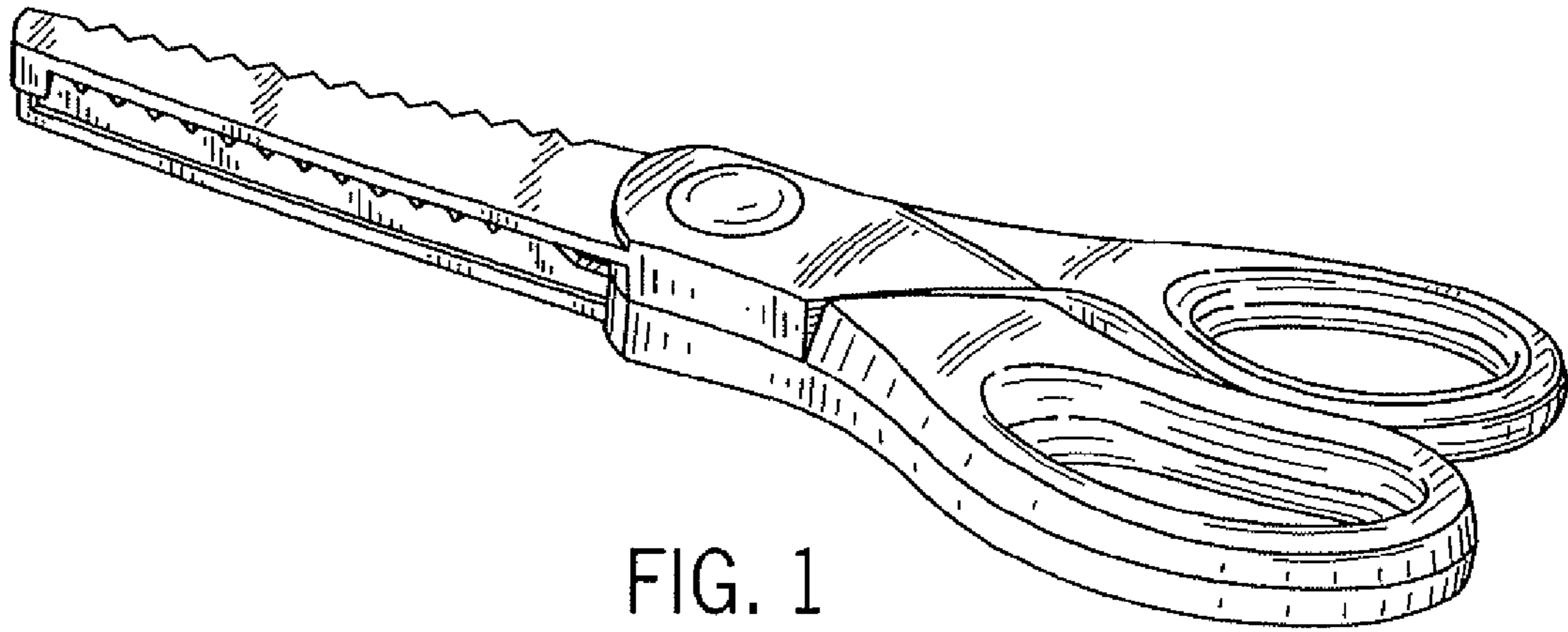


FIG. 1

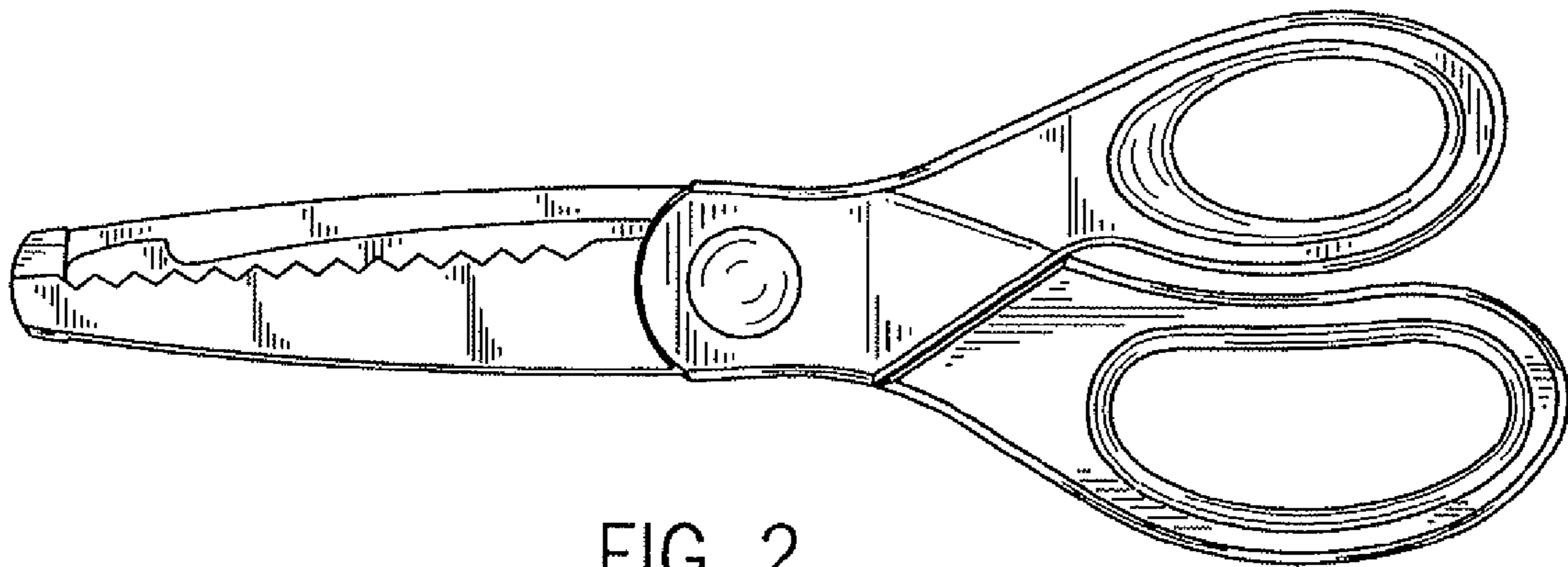


FIG. 2

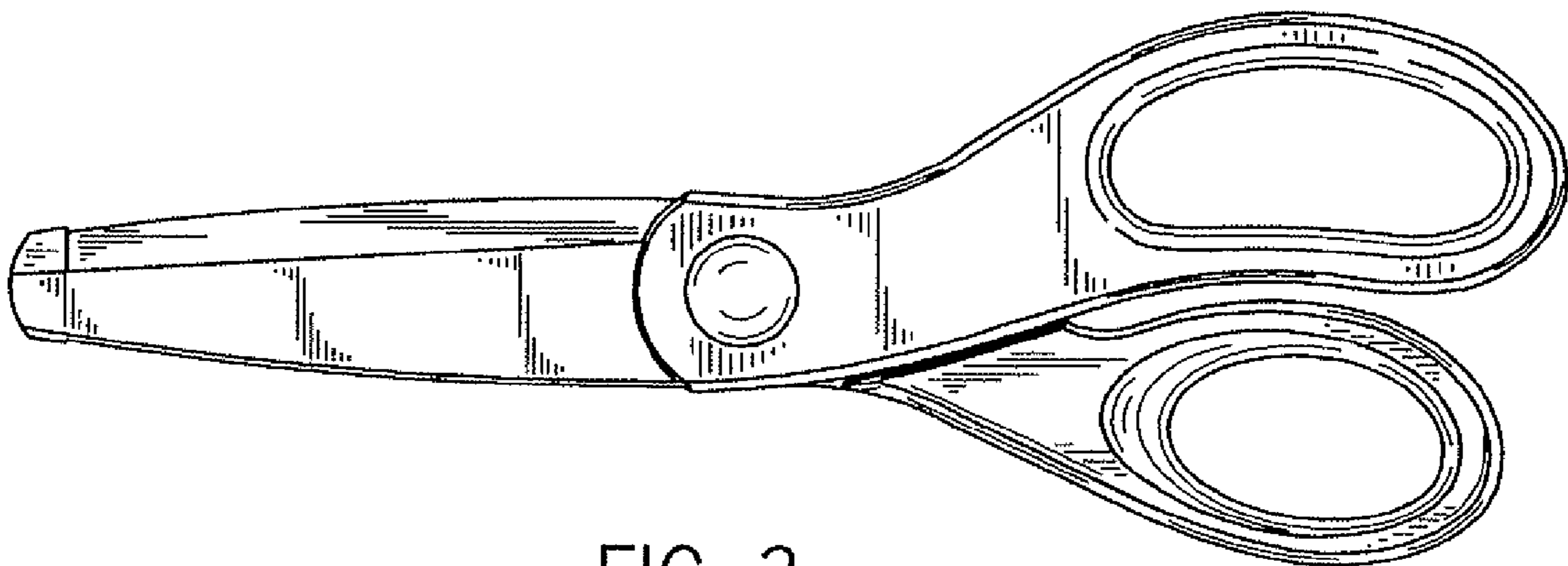


FIG. 3



FIG. 4

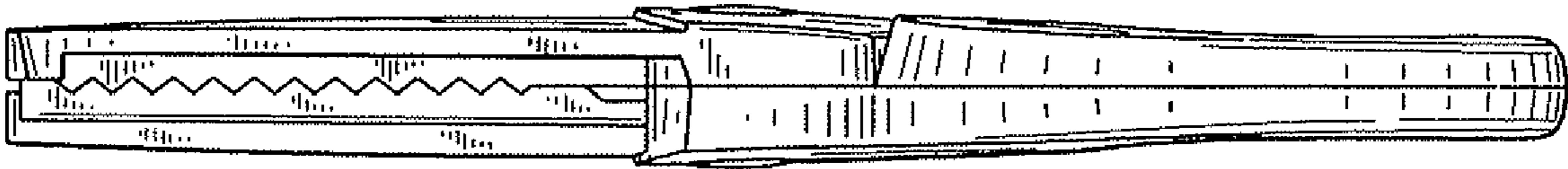


FIG. 5

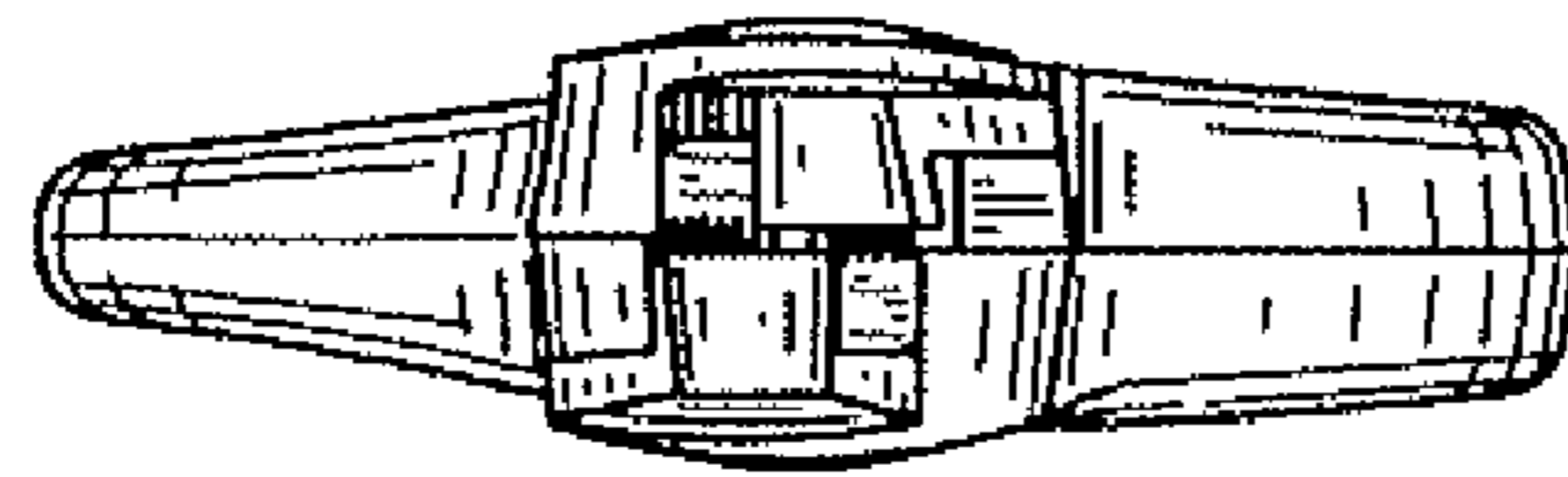


FIG. 6

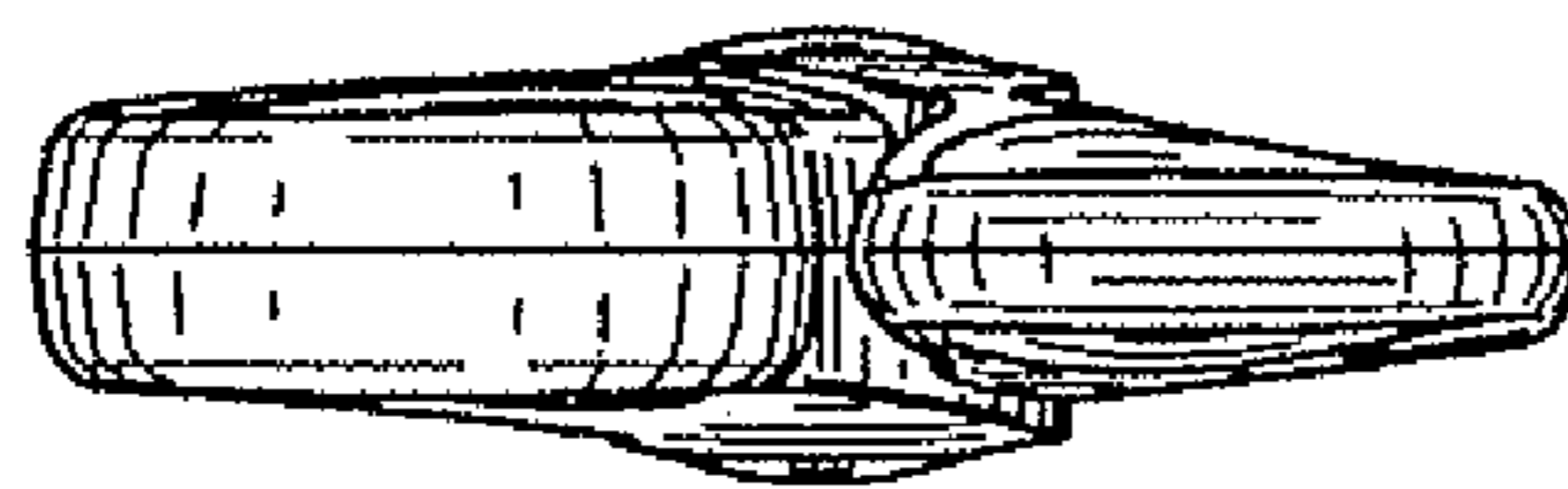


FIG. 7