

US00D563178S

(12) **United States Design Patent**  
**Seehof et al.**

(10) **Patent No.:** **US D563,178 S**  
(45) **Date of Patent:** **\*\* Mar. 4, 2008**

(54) **SANDWICH BREAD CRUST CUTTER**

(76) Inventors: **Gary Stanley Seehof**, 1530 S. Lewis St., Anaheim, CA (US) 92805; **Bryan Craig Golden**, 1530 S. Lewis St., Anaheim, CA (US) 92805

(\*\*) Term: **14 Years**

(21) Appl. No.: **29/282,431**

(22) Filed: **Jul. 20, 2007**

**Related U.S. Application Data**

(62) Division of application No. 29/249,551, filed on Oct. 12, 2006.

(51) **LOC (8) Cl.** ..... **07-04**

(52) **U.S. Cl.** ..... **D7/675**

(58) **Field of Classification Search** ..... D7/672, D7/675-677, 354, 356; D1/106, 107, 126-128; 30/314-317, 301, 280, 303, 305, 306; 249/115, 249/135; 99/426

See application file for complete search history.

(56) **References Cited**

**U.S. PATENT DOCUMENTS**

D213,944 S \* 4/1969 Cooper ..... D1/110

3,780,978 A \* 12/1973 Proul ..... 249/135  
4,245,973 A \* 1/1981 Greaney ..... 249/135  
D285,380 S \* 9/1986 Gram ..... D1/110  
D321,271 S \* 11/1991 Meyers et al. .... D1/107  
D397,277 S \* 8/1998 Gibbs, Jr. .... D7/672  
D481,914 S \* 11/2003 Short ..... D7/675

\* cited by examiner

*Primary Examiner*—Terry A Wallace

(57) **CLAIM**

We claim the ornamental design for the sandwich bread crust cutter, as shown.

**DESCRIPTION**

FIG. 1 is a top plan view of the sandwich bread crust cutter showing our new design;

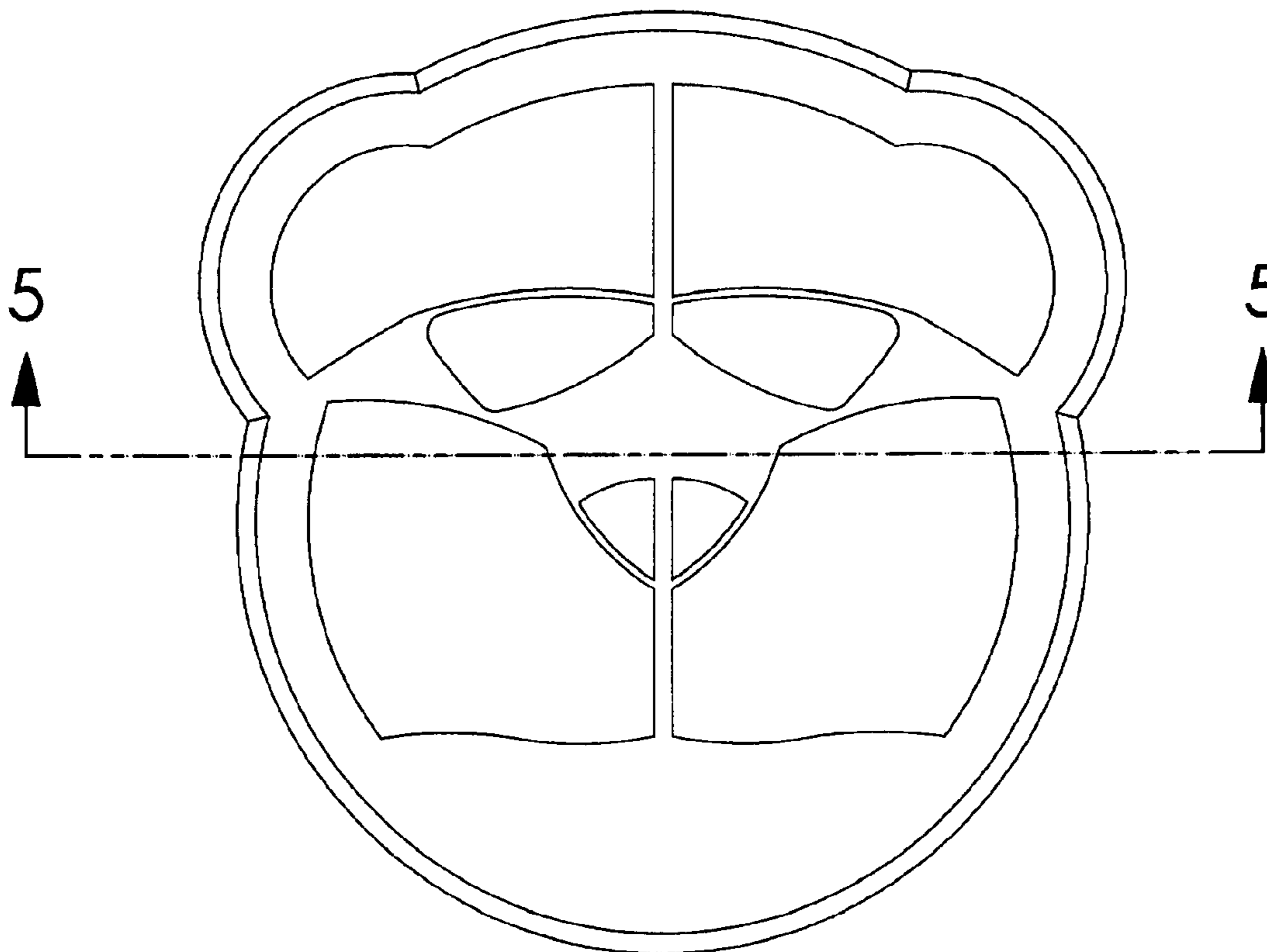
FIG. 2 is a side view thereof;

FIG. 3 is a bottom view thereof;

FIG. 4 is an isometric view thereof; and,

FIG. 5 is a section view through FIG. 1 thereof.

**1 Claim, 5 Drawing Sheets**



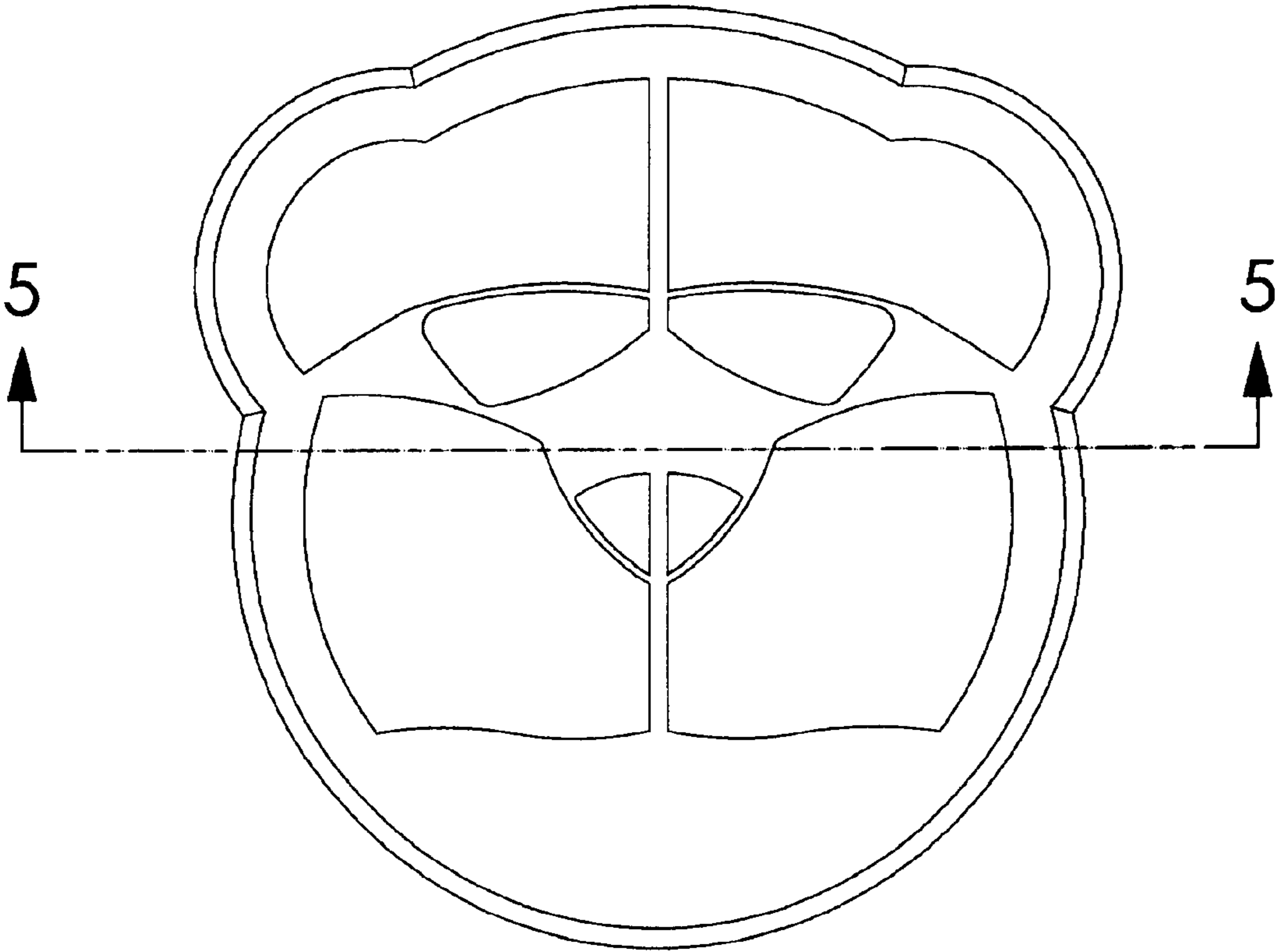


Fig. 1

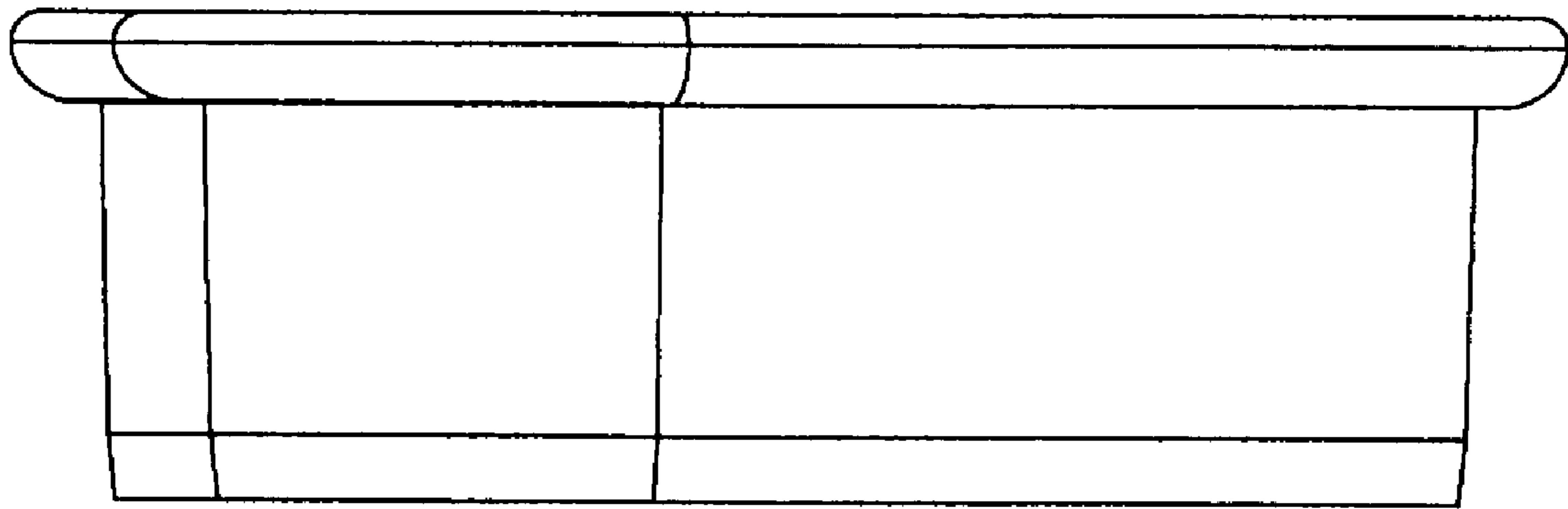


Fig. 2

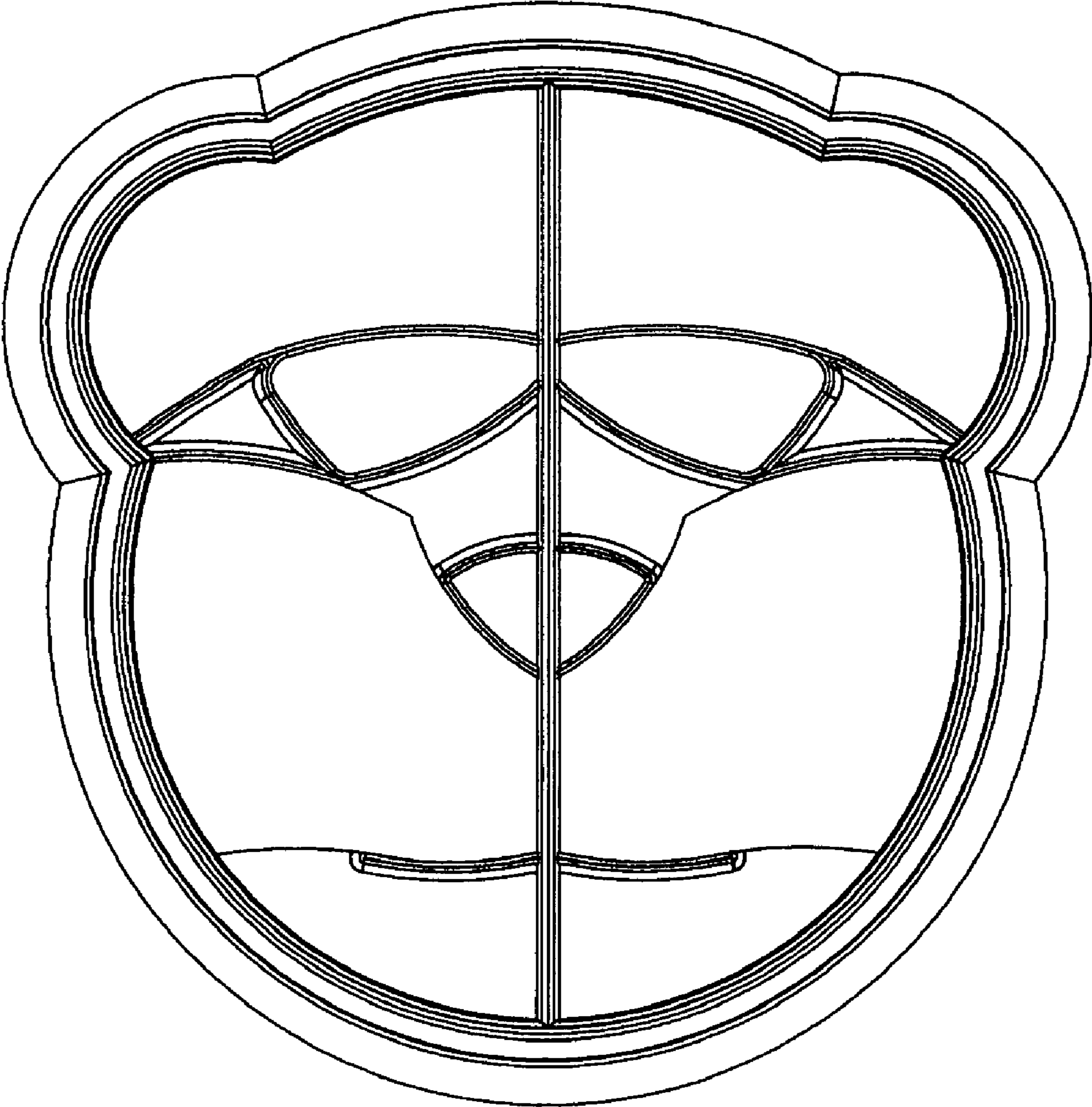


Fig. 3

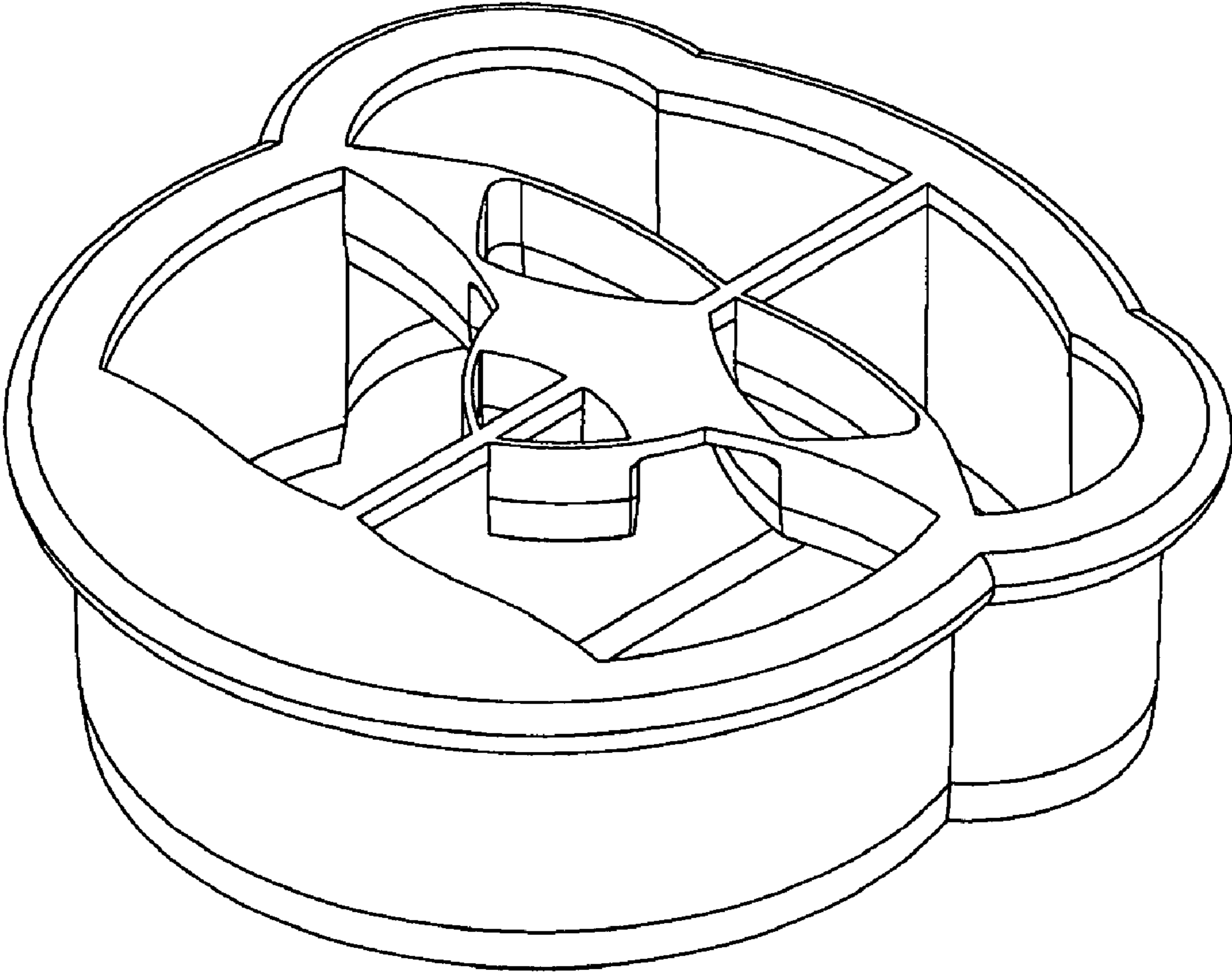
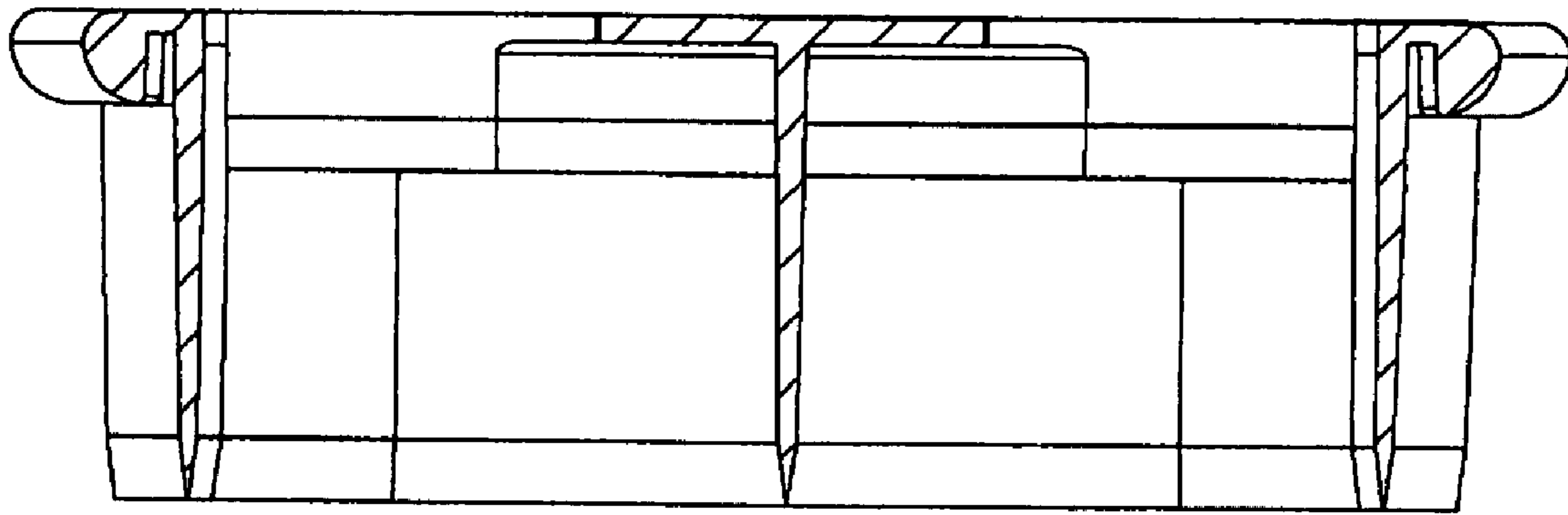


Fig. 4



SECTION 5-5

Fig. 5