



US00D563174S

(12) **United States Design Patent**
O'Neil et al.

(10) **Patent No.:** **US D563,174 S**

(45) **Date of Patent:** **** Mar. 4, 2008**

(54) **ROASTER**

(75) Inventors: **Sarah O'Neil**, Chicago, IL (US); **Eva Lok**, Chicago, IL (US); **Virginia R. Bing**, Highland Park, IL (US); **Roger Pak Lok Chu**, Tai Lam (HK); **Philip Chung Kit Chu**, Tai Lam (HK); **Loren E. Doppelt**, Palatine, IL (US); **Glen Alexander Ellefsen**, West Bend, WI (US); **Anthony Martinez**, Seattle, WA (US); **Letesa Isler**, Lawrence, KS (US); **Jason Richard Richards**, West Bend, WI (US); **Timothy K. Virkus**, Painted Post, NY (US); **Jeffrey B. Kell**, Rush, NY (US)

(73) Assignee: **WKI Holding Company, Inc.**, Rosemont, IL (US)

(**) Term: **14 Years**

(21) Appl. No.: **29/268,748**

(22) Filed: **Nov. 10, 2006**
(Under 37 CFR 1.47)

Related U.S. Application Data

(63) Continuation of application No. 29/257,340, filed on Apr. 3, 2006, now abandoned, which is a continuation of application No. 29/240,919, filed on Oct. 20, 2005, now abandoned.

(51) **LOC (8) Cl.** **07-01**

(52) **U.S. Cl.** **D7/538; D7/360; D7/545**

(58) **Field of Classification Search** D7/360,
D7/358, 391, 402, 629, 542, 538, 543, 545,
D7/587; 220/574, 377, 625, 369, 912, 366.1;
126/384.1; 99/403

See application file for complete search history.

(56) **References Cited**

U.S. PATENT DOCUMENTS

2,131,663	A *	9/1938	Hughes	220/772
D172,075	S *	5/1954	Barnhart	D7/542
D173,093	S *	9/1954	Schreckengost	D7/360
D185,064	S *	5/1959	Clark, Jr.	D7/542
D190,962	S *	7/1961	Quitgaard	D7/542
D206,452	S *	12/1966	Latham	D7/542
D211,979	S *	8/1968	Dru	D9/443

(Continued)

Primary Examiner—M. N. Pandozzi

(74) *Attorney, Agent, or Firm*—McDermott Will & Emery LLP

(57) **CLAIM**

We claim the ornamental design for a roaster, as shown and described.

DESCRIPTION

FIG. 1 is a perspective view of a roaster according to the new design;

FIG. 2 is a top view of the roaster shown in FIG. 1;

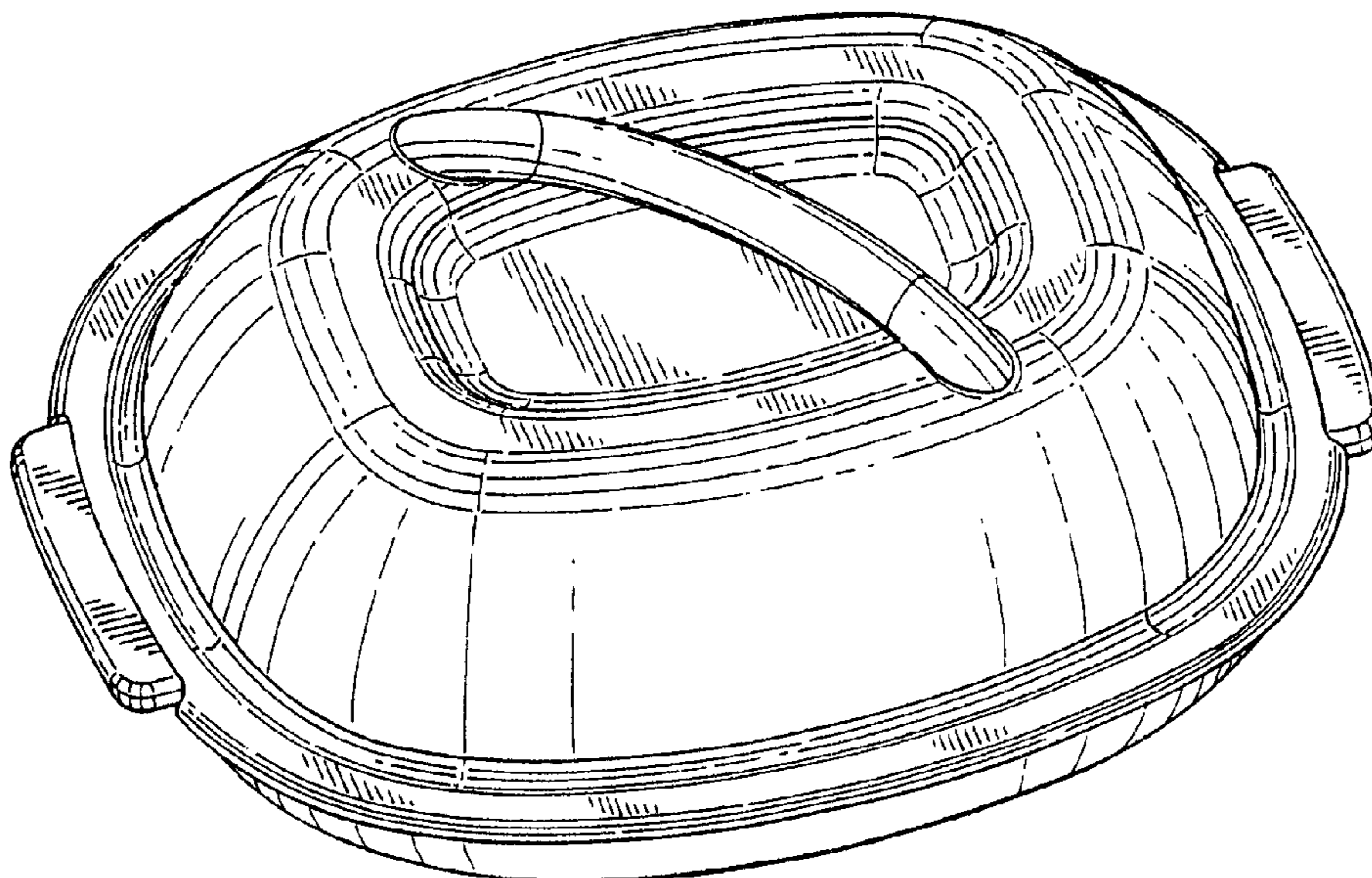
FIG. 3 is a front view of the roaster shown in FIG. 1, the rear view being identical thereto;

FIG. 4 is a side elevation view of the roaster shown in FIG. 1, the opposed side elevation view being identical thereto; and,

FIG. 5 is a bottom view of the roaster shown in FIG. 1.

The broken lines in the drawings are for illustrative purposes only and form no part of the claimed design.

1 Claim, 3 Drawing Sheets



US D563,174 S

Page 2

U.S. PATENT DOCUMENTS

D212,704 S *	11/1968	Benes	D7/360	D470,714 S *	2/2003	Kloppsteck	D7/360
D218,346 S *	8/1970	Aubecq	D7/360	D470,715 S *	2/2003	Kloppsteck	D7/360
D218,347 S *	8/1970	Aubecq	D7/360	D471,757 S *	3/2003	Kitamura et al.	D7/360
D286,488 S *	11/1986	Broere	D7/542	D477,970 S *	8/2003	Thonis	D7/542
D368,828 S *	4/1996	Thurlow	D7/360	D492,881 S *	7/2004	Bodum	D7/360
D374,373 S *	10/1996	Ito	D7/360	D495,559 S *	9/2004	Vidal	D7/538
5,653,359 A *	8/1997	Sondermann	220/625	D496,555 S *	9/2004	Rommelfanger et al.	D7/360
D395,787 S *	7/1998	Wilks	D7/357	D498,386 S *	11/2004	Kloppsteck	D7/360
D412,266 S *	7/1999	Kerr	D7/542	D498,639 S *	11/2004	Brasset	D7/360
D413,483 S *	9/1999	Roussard	D7/358	D506,350 S *	6/2005	Cheng	D7/360
D425,751 S *	5/2000	Yu et al.	D7/391	D517,857 S *	3/2006	Poon	D7/356
6,105,810 A *	8/2000	Daenen et al.	220/366.1	D523,687 S *	6/2006	Jian	D7/360
D445,298 S *	7/2001	DeBord et al.	D7/360	D523,694 S *	6/2006	Czebiniak	D7/542
D469,301 S *	1/2003	Ryan et al.	D7/360	D525,479 S *	7/2006	Olsen et al.	D7/360

* cited by examiner

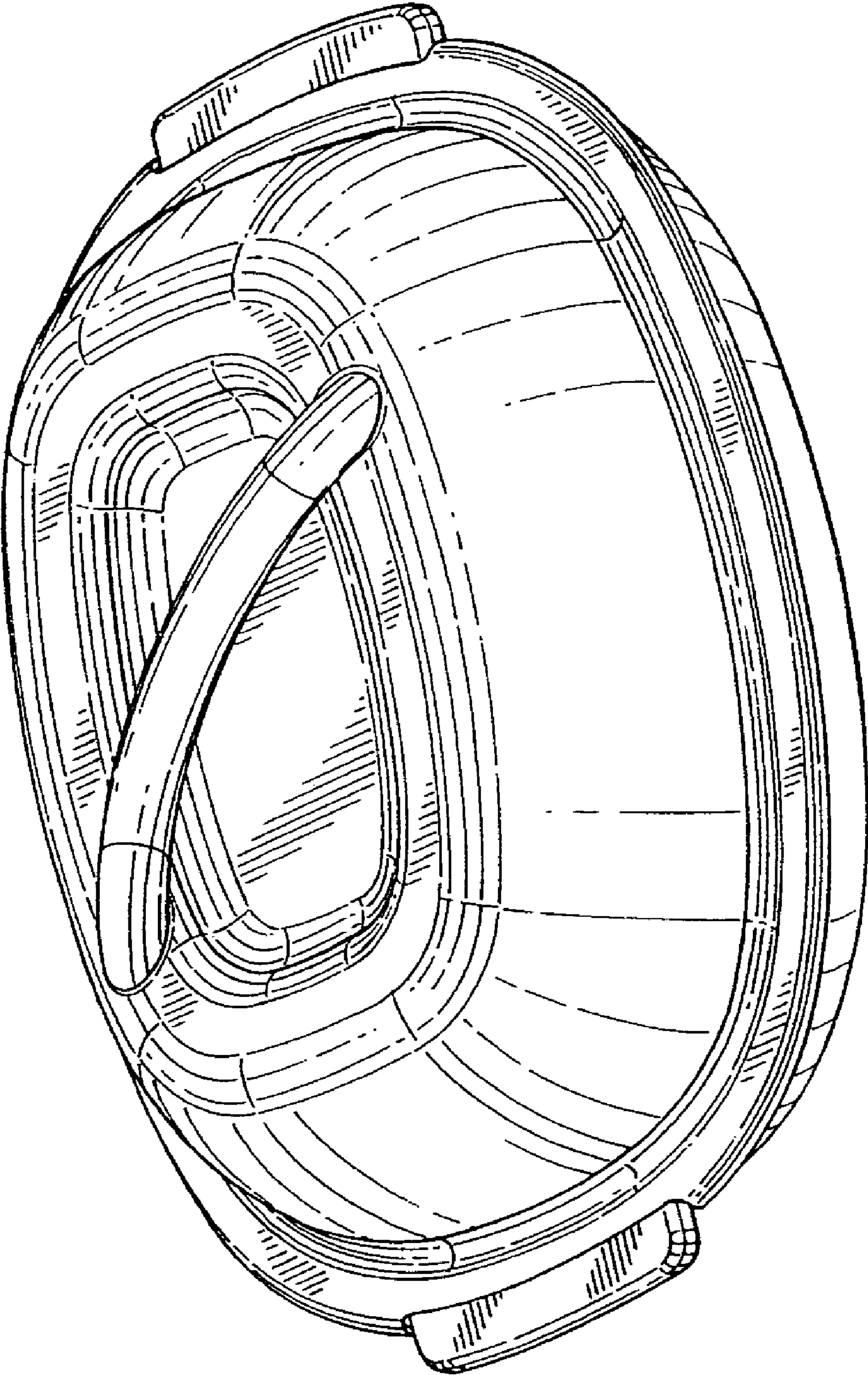


FIG. 1

FIG. 2

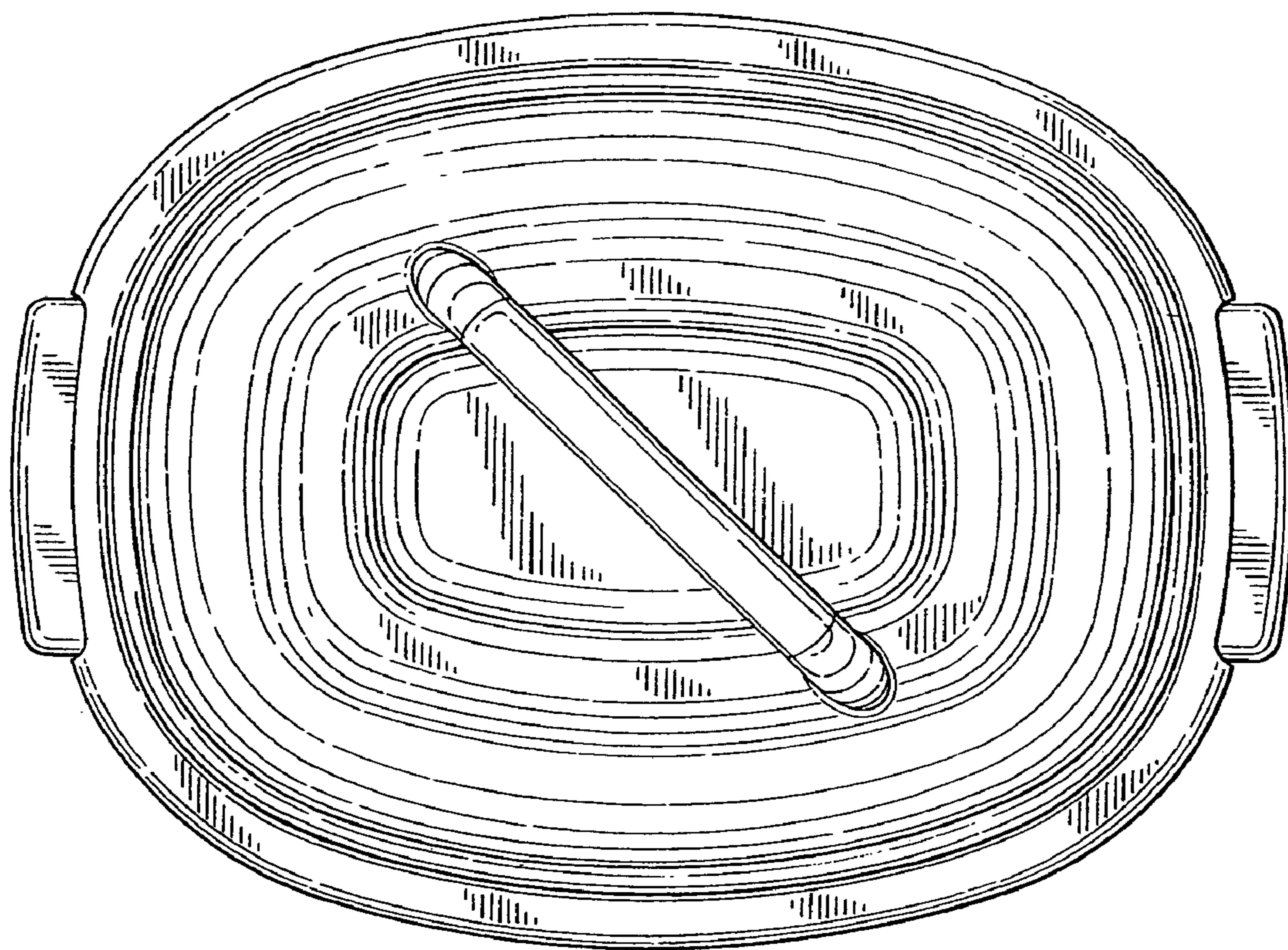


FIG. 3

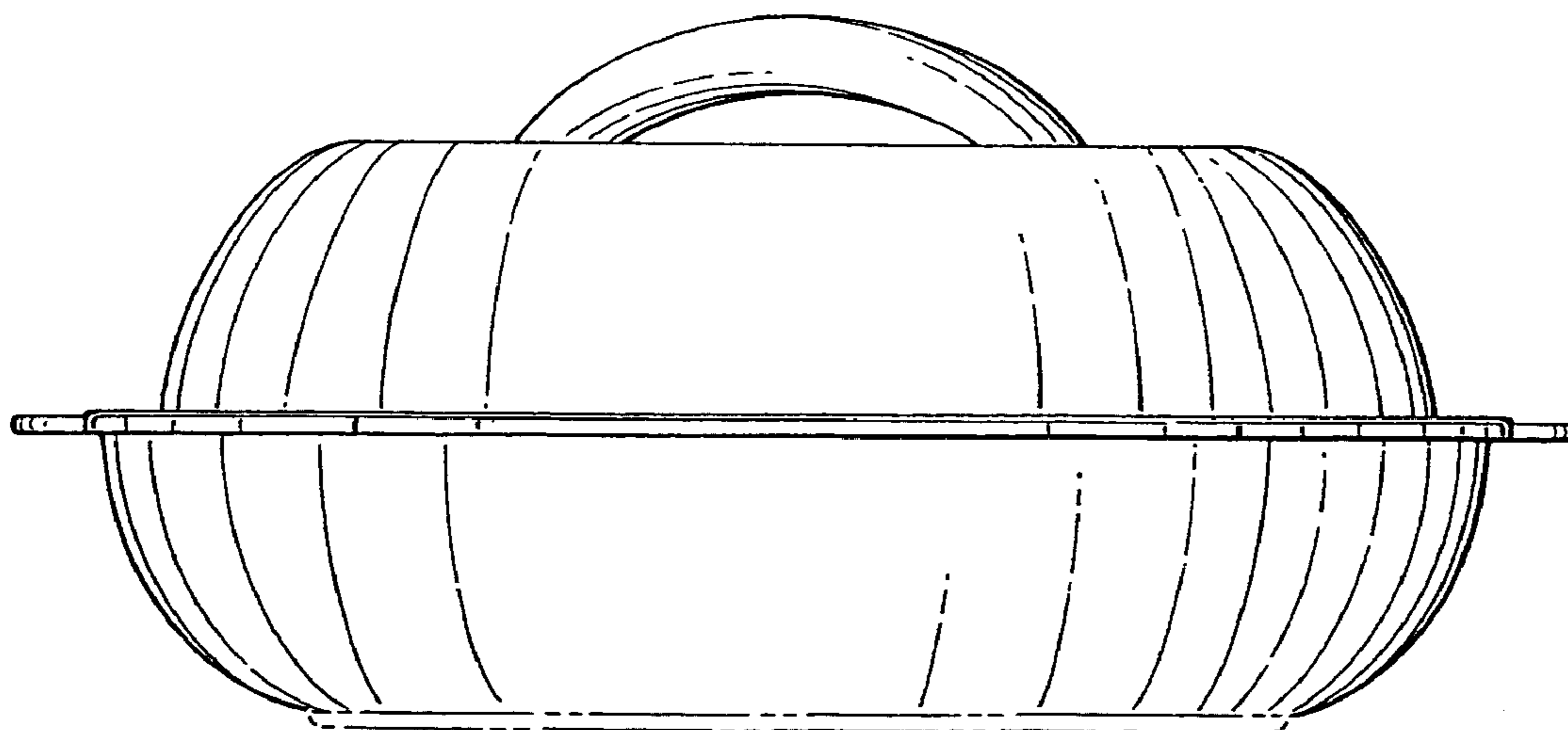


FIG. 4

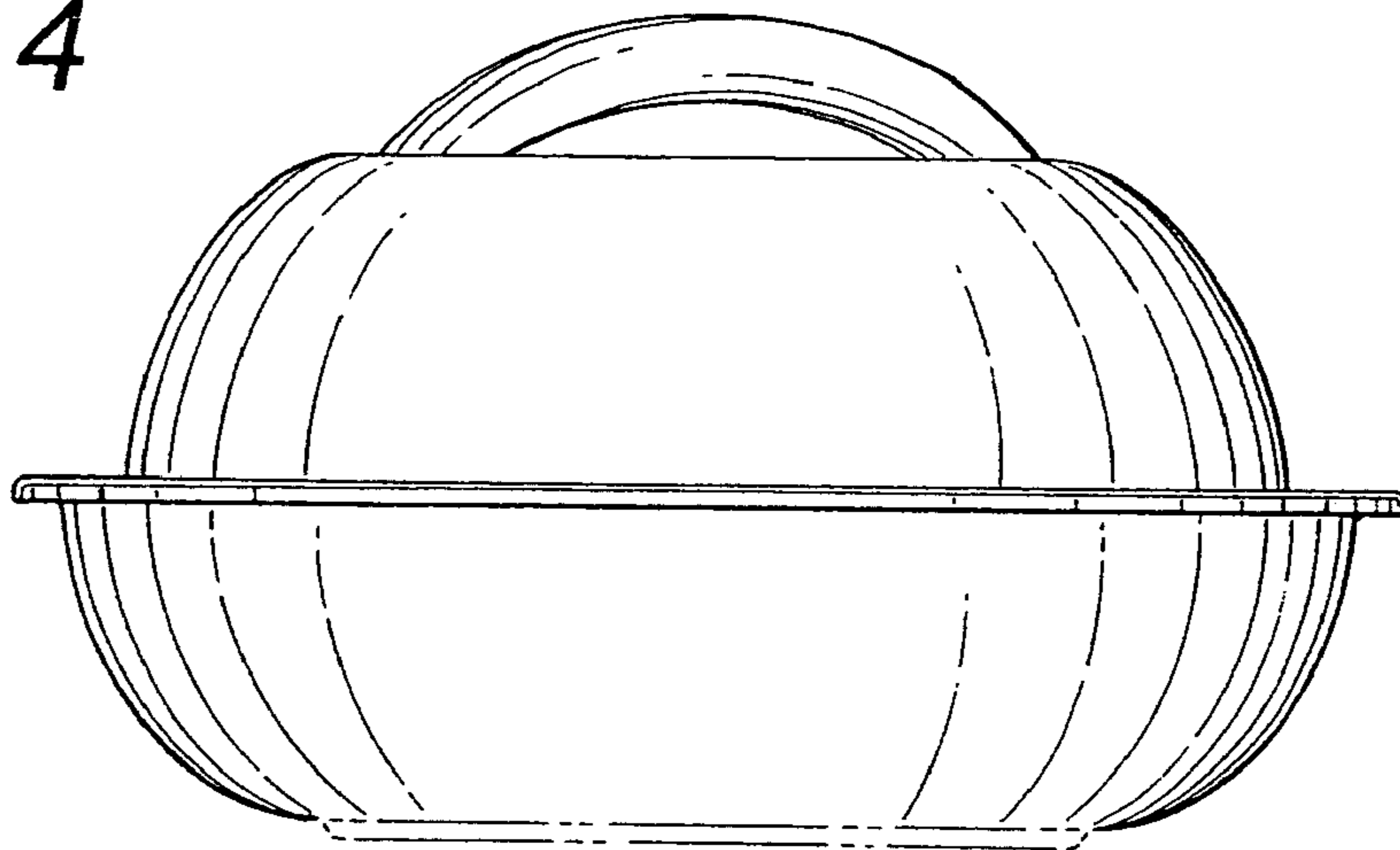


FIG. 5

