



US00D563171S

(12) **United States Design Patent**
Mansfield

(10) **Patent No.:** **US D563,171 S**
(45) **Date of Patent:** **** Mar. 4, 2008**

(54) **DRINKING VESSEL**

(76) Inventor: **Bryan D. Mansfield**, 9020 Ogleby
Creek Rd., Myakka City, FL (US)
34251

(**) Term: **14 Years**

(21) Appl. No.: **29/277,631**

(22) Filed: **Mar. 5, 2007**

(51) **LOC (8) Cl.** **07-01**

(52) **U.S. Cl.** **D7/523; D7/509**

(58) **Field of Classification Search** D7/500,
D7/509, 511–515, 523, 532, 584; D9/521;
D11/143; D24/107, 112, 116, 117, 222, 224,
D24/226; D27/186; 215/DIG. 7; 220/592.16,
220/592.17, 703

See application file for complete search history.

(56) **References Cited**

U.S. PATENT DOCUMENTS

D40,562 S * 3/1910 Dawley D11/143
(Continued)

OTHER PUBLICATIONS

Lake Charles Manufacturing, Lake Charles, Louisiana, Shot Wizard Datasheet [online] [retrieved Mar. 29, 2007] 1 page, Retrieved from the Internet, <URL <http://www.shotwizard.com/PhotoGalley.asp?ProductCode=207%2D0013W>>.

Bar Products.com Inc., Largo, Florida, Tube SHOTZ(R) Datasheet [online] [retrieved Mar. 29, 2007] 1 page, Retrieved from the Internet, <URL <http://www.barproducts.com/media/5901b.html>>.

Primary Examiner—Philip S. Hyder

Assistant Examiner—Cynthia Underwood

(74) *Attorney, Agent, or Firm*—Mark Douma

(57) **CLAIM**

I claim the ornamental design for a drinking vessel, as shown and described.

DESCRIPTION

FIG. 1 is a top and side perspective view, the drinking vessel having a six-sided top section;

FIG. 2 is a side elevation view of a flat side thereof, the view of the vertex side being understood from the perspective view;

FIG. 3 is a top plan view thereof;

FIG. 4 is a bottom plan view thereof;

FIG. 5 is a vertical longitudinal sectional view along line 5—5 of FIG. 3;

FIG. 6 is a top and side perspective view of another embodiment of the drinking vessel shown in FIG. 1 having an eight-sided top section;

FIG. 7 is a side elevation view of a vertex side thereof, a view of a flat side being understood from the perspective view;

FIG. 8 is a top plan view thereof;

FIG. 9 is a bottom plan view thereof;

FIG. 10 is a vertical longitudinal sectional view taken along line 10—10 of FIG. 8;

FIG. 11 is a top and side perspective view of another embodiment of the drinking vessel showing my new design having a six-sided top section;

FIG. 12 is a side elevation view of a flat side thereof, the view of a vertex side being understood from the perspective view;

FIG. 13 is a top plan view thereof;

FIG. 14 is a bottom plan view thereof;

FIG. 15 is a vertical longitudinal sectional view along line 15—15 of FIG. 13;

FIG. 16 is a top and side perspective view of another embodiment showing of the drinking vessel shown in FIG. 1 having an eight-sided top section;

FIG. 17 is a side elevation view of a vertex side thereof, the view of a flat side being understood from the perspective view;

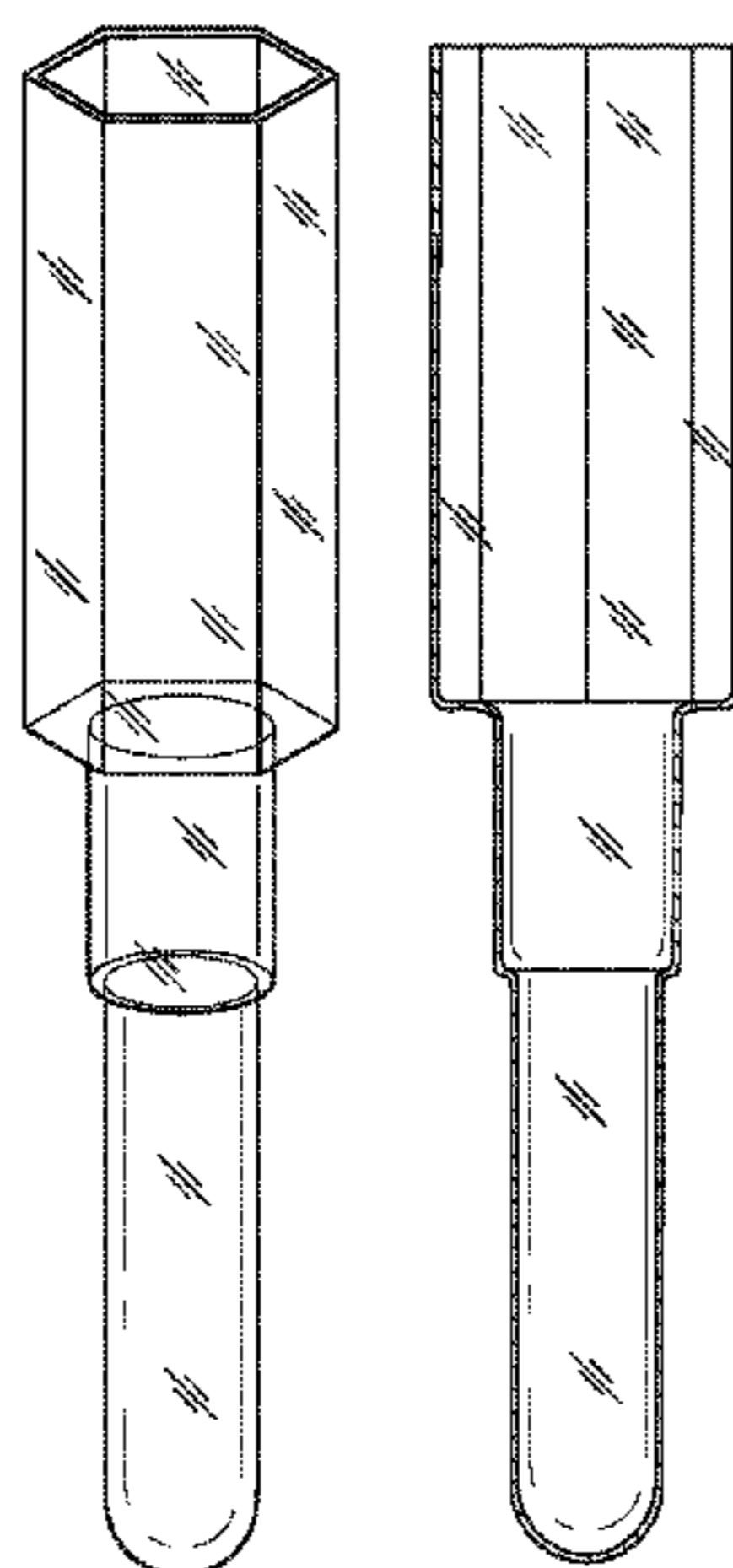
FIG. 18 is a top plan view thereof;

FIG. 19 is a bottom plan view thereof; and,

FIG. 20 is a vertical longitudinal sectional view along line 20—20 of FIG. 18.

The design is characterized by having relatively thin walls whose thickness may be obscured by the amount of colorant added in manufacture depending on the angle and intensity of lighting.

1 Claim, 16 Drawing Sheets



US D563,171 S

Page 2

U.S. PATENT DOCUMENTS					
D46,619 S	11/1914	Fisher	5,098,663 A	3/1992	Berthold et al.
D47,721 S	8/1915	Haley	D334,321 S	3/1993	Falzorano
D70,754 S	8/1926	Heisey	D340,838 S	11/1993	Lingo
D90,928 S	10/1933	Rosenmerkle	D343,091 S *	1/1994	Shafer D7/531
D93,871 S	11/1934	Griffen	D356,643 S *	3/1995	Burns D24/224
D113,230 S	2/1939	Karstdat	D358,080 S	5/1995	Handler
D161,115 S	12/1950	Meier	D365,041 S *	12/1995	Dollinger D11/146
D168,409 S	12/1952	Kell	D400,051 S	10/1998	Miyagi
D198,139 S	5/1964	Edwards	D417,820 S	12/1999	Pelz et al.
D217,001 S	3/1970	Stone	D418,015 S	12/1999	Santini
D225,523 S	11/1972	Quistgaard	D418,370 S	1/2000	Wilson
D239,151 S *	3/1976	Lundin D7/523	D431,418 S	10/2000	Moran
D240,286 S	6/1976	Sarpaneva	D449,962 S	11/2001	Harrison et al.
4,024,857 A *	5/1977	Blecher et al. 600/576	D461,905 S *	8/2002	Wei D24/224
D248,004 S	5/1978	Simpson	D474,648 S	5/2003	Dimeo
D254,445 S *	3/1980	Boghossian D24/224	D491,020 S	6/2004	Gluck
D263,544 S	3/1982	Vennola	D515,359 S	2/2006	Andrews
D267,140 S *	12/1982	Thompson D7/531	D527,223 S	8/2006	Thun
D286,072 S *	10/1986	Miller D24/224	D535,559 S	1/2007	Kehoe
D302,225 S	7/1989	Shepard	7,186,671 B2 *	3/2007	Smith et al. 502/415
5,033,232 A *	7/1991	Vaughn 47/72	D543,783 S *	6/2007	Goldberg D7/523

* cited by examiner

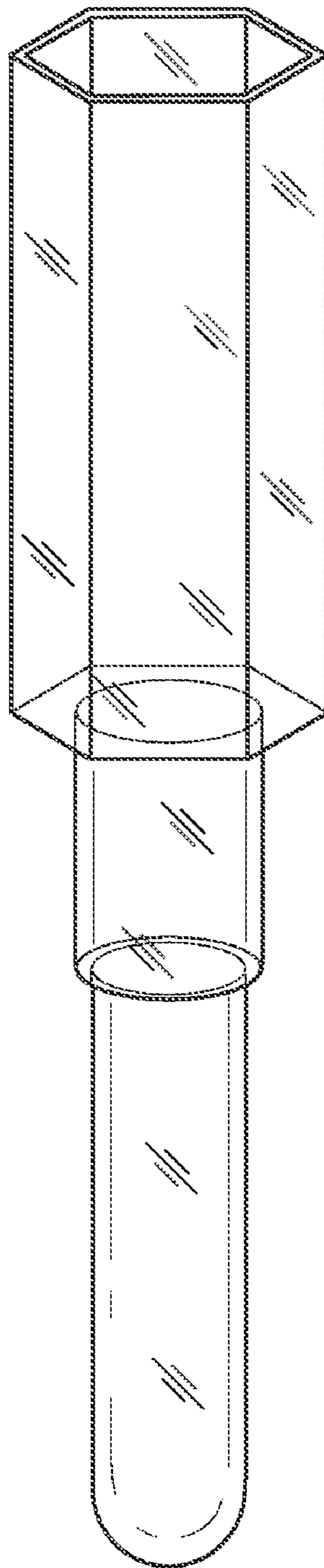


FIG. 1

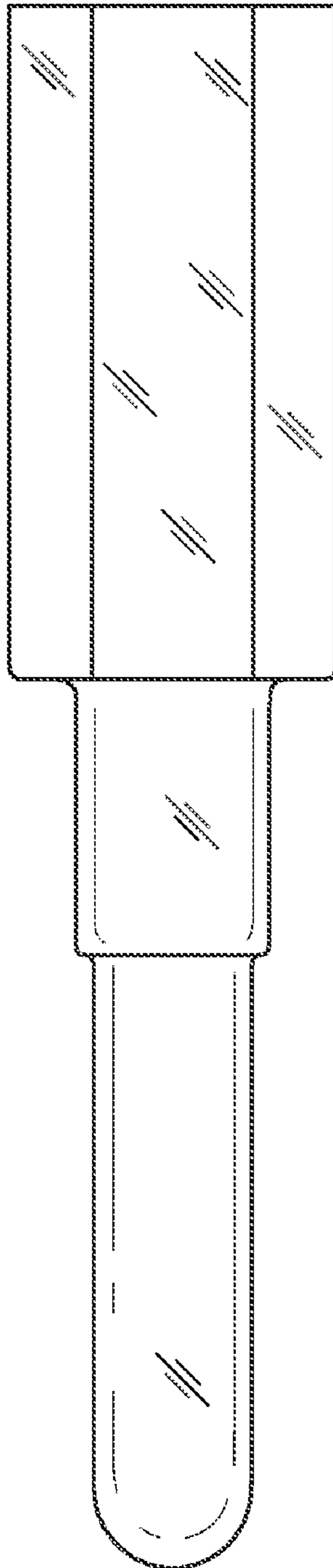


FIG. 2

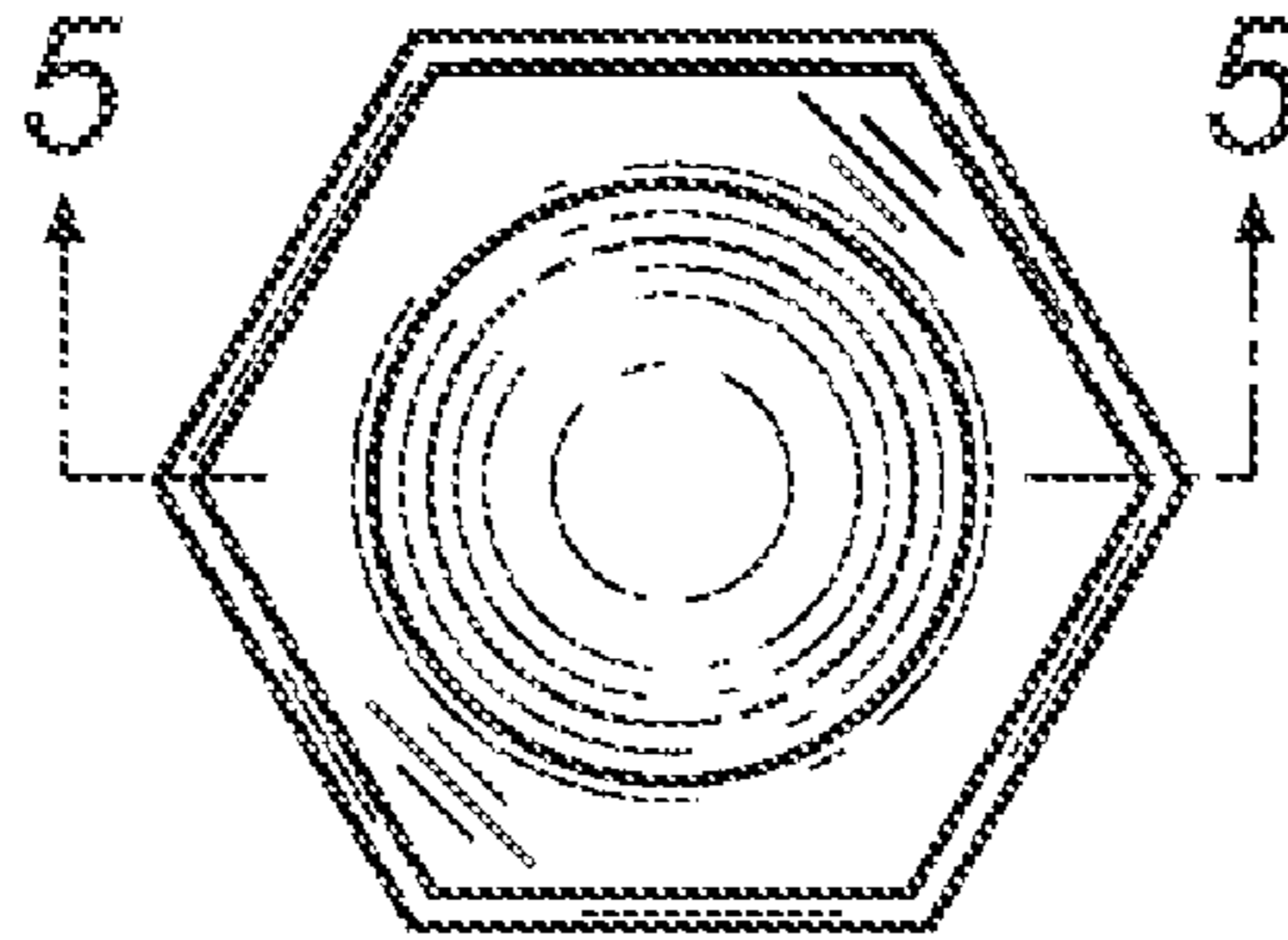


FIG. 3

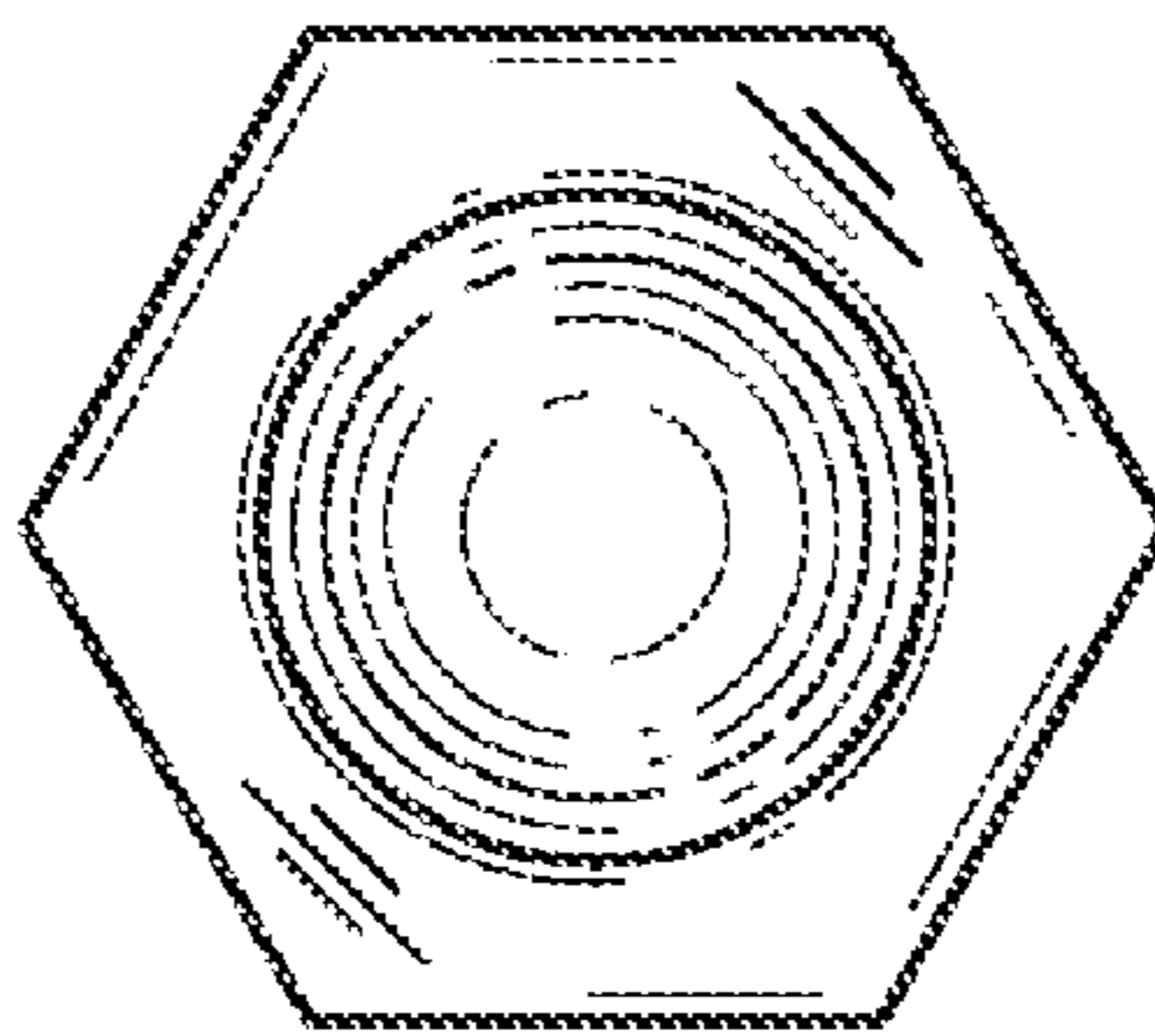


FIG. 4

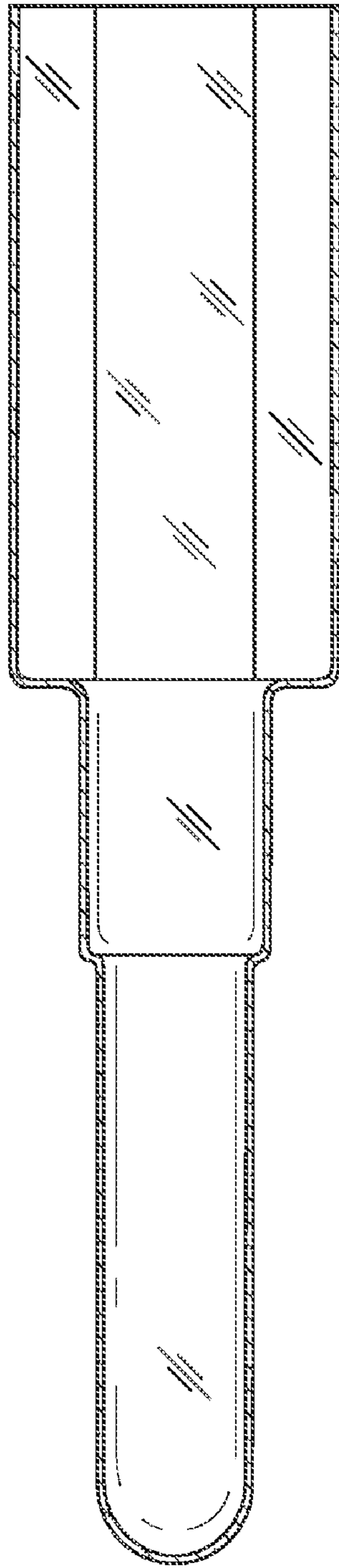


FIG. 5

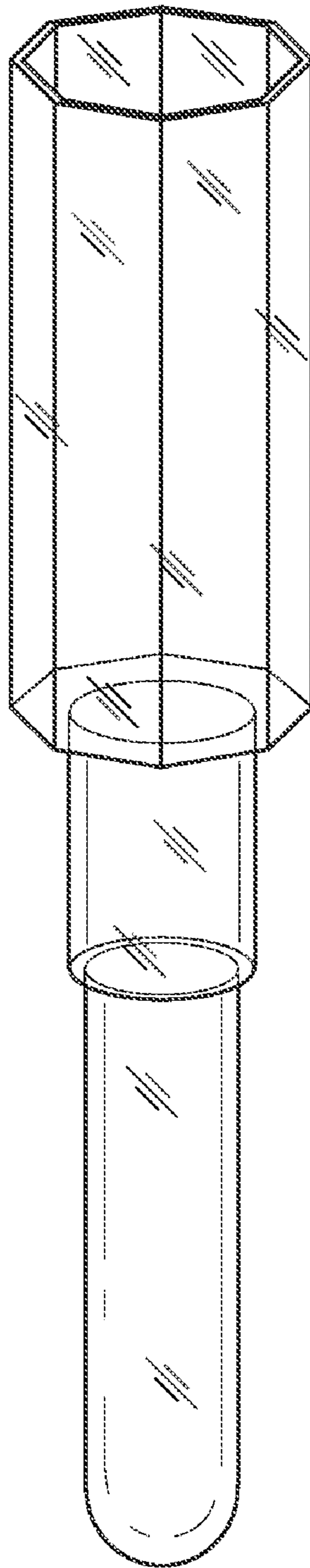


FIG. 6

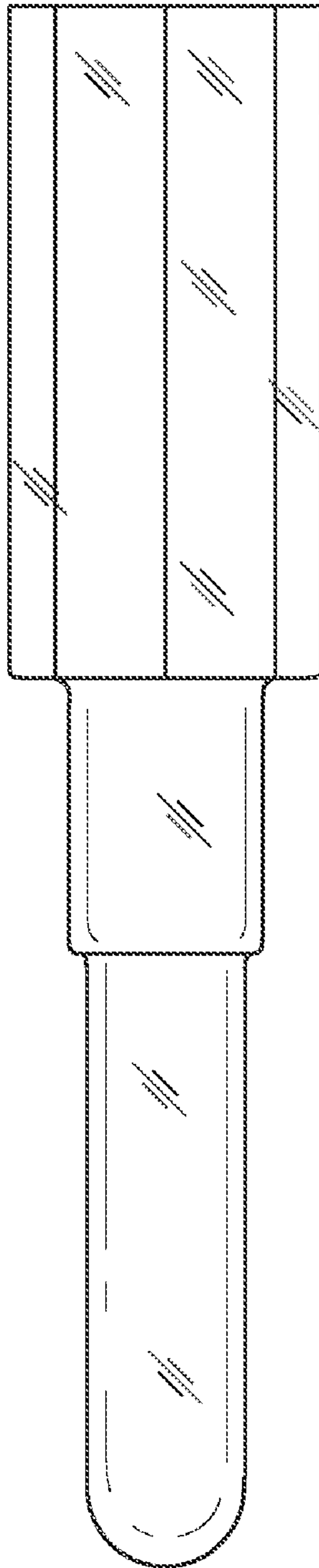


FIG. 7

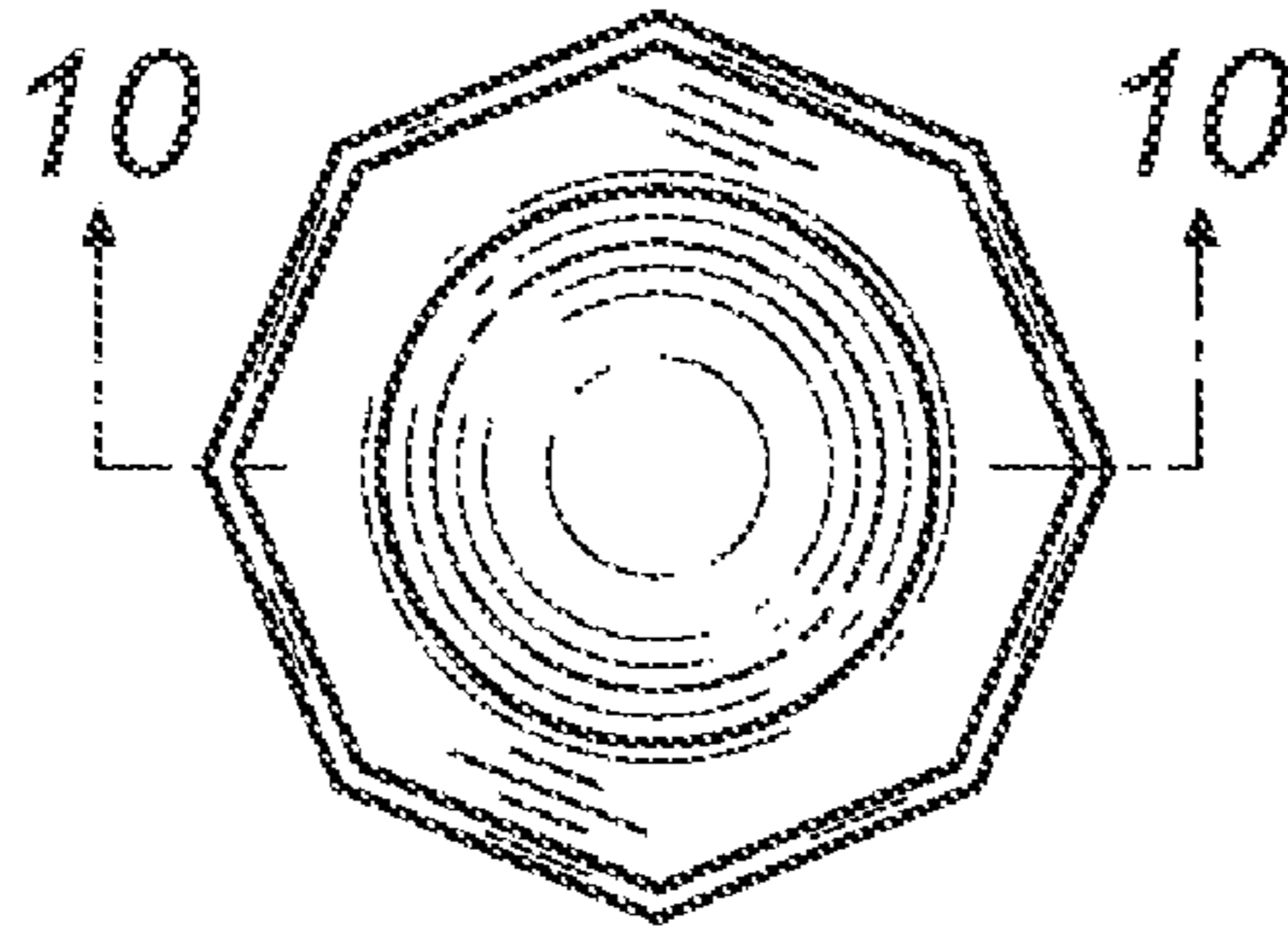


FIG. 8

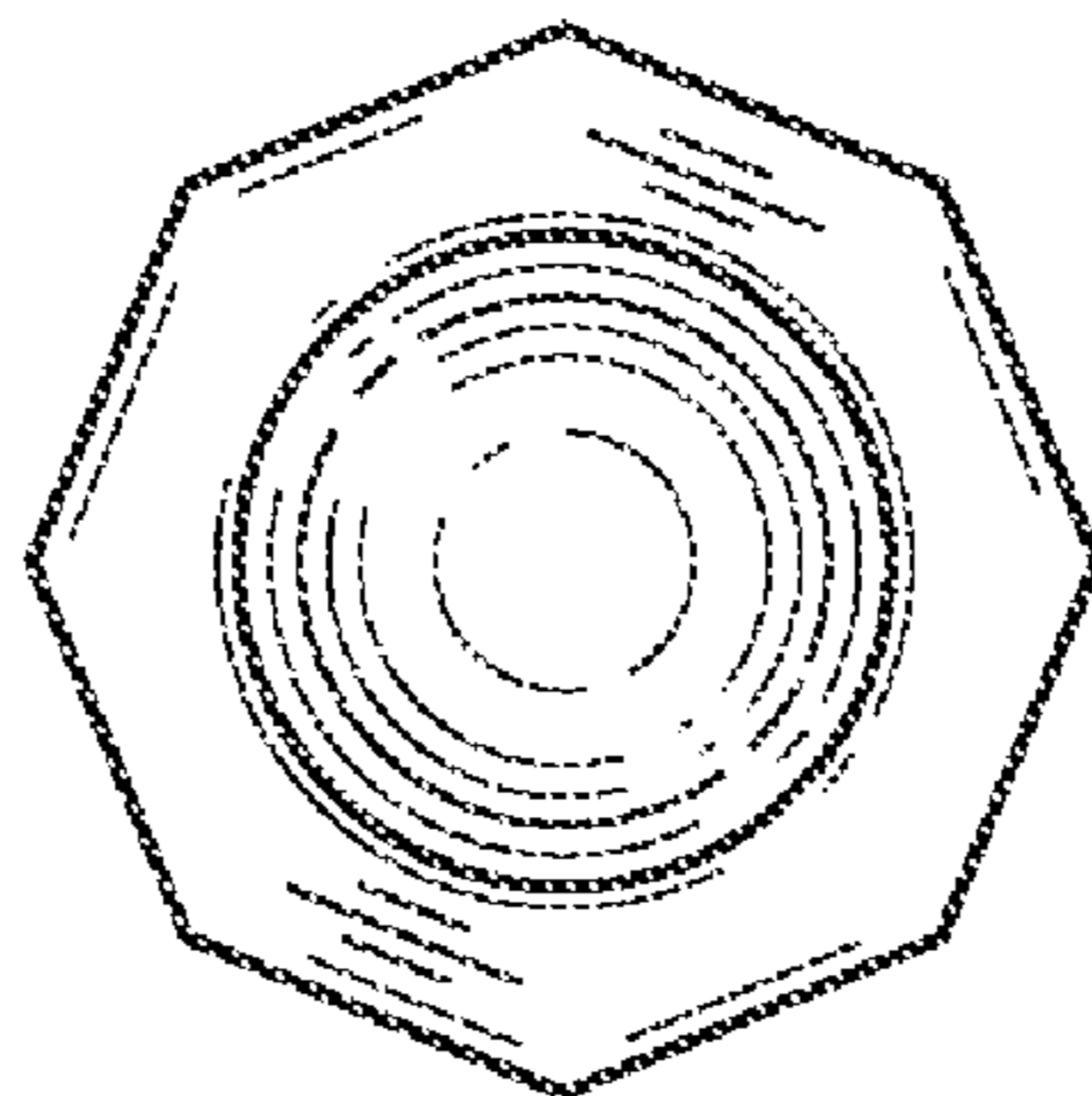


FIG. 9

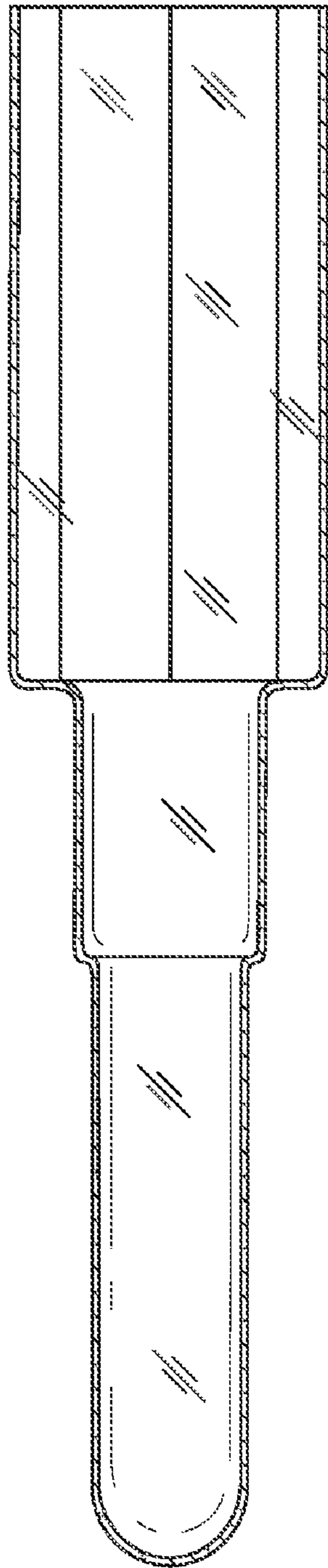


FIG. 10

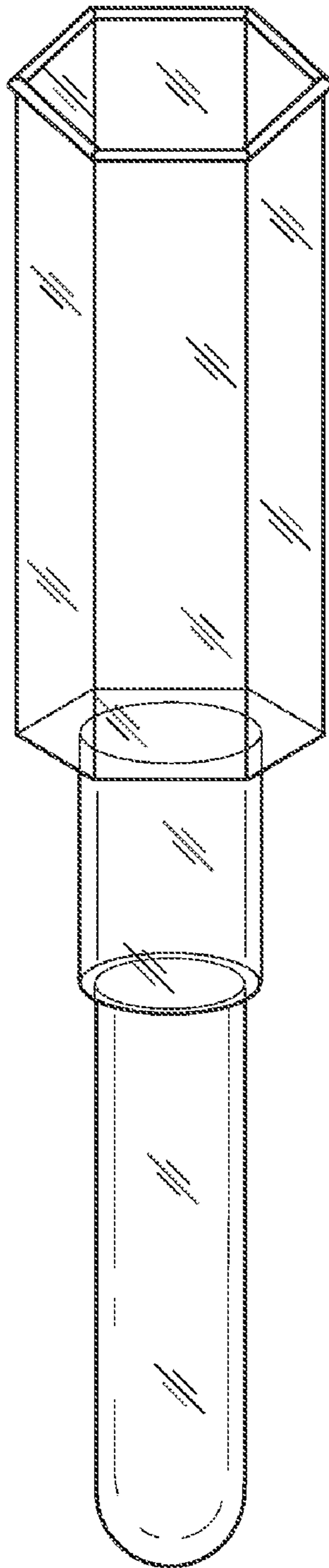


FIG. 11

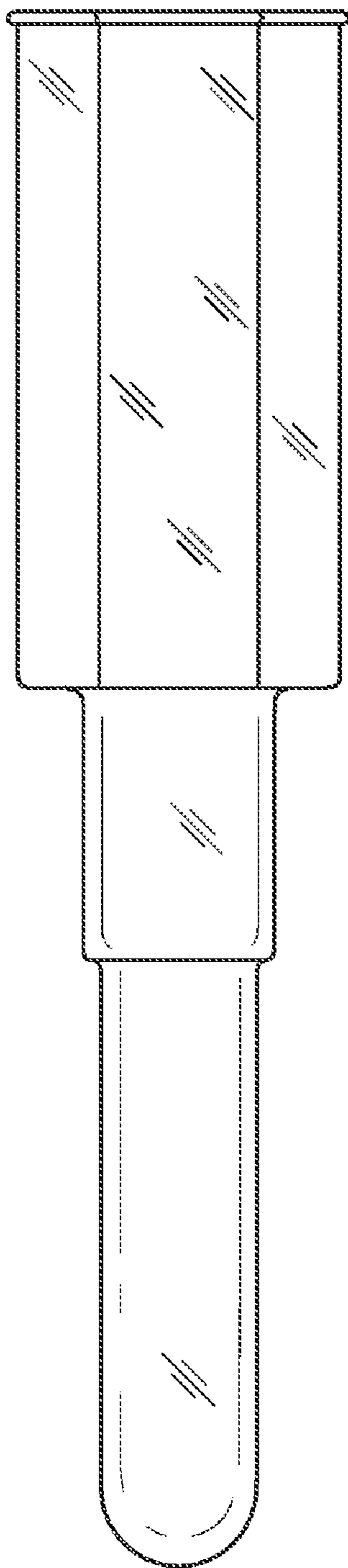


FIG. 12

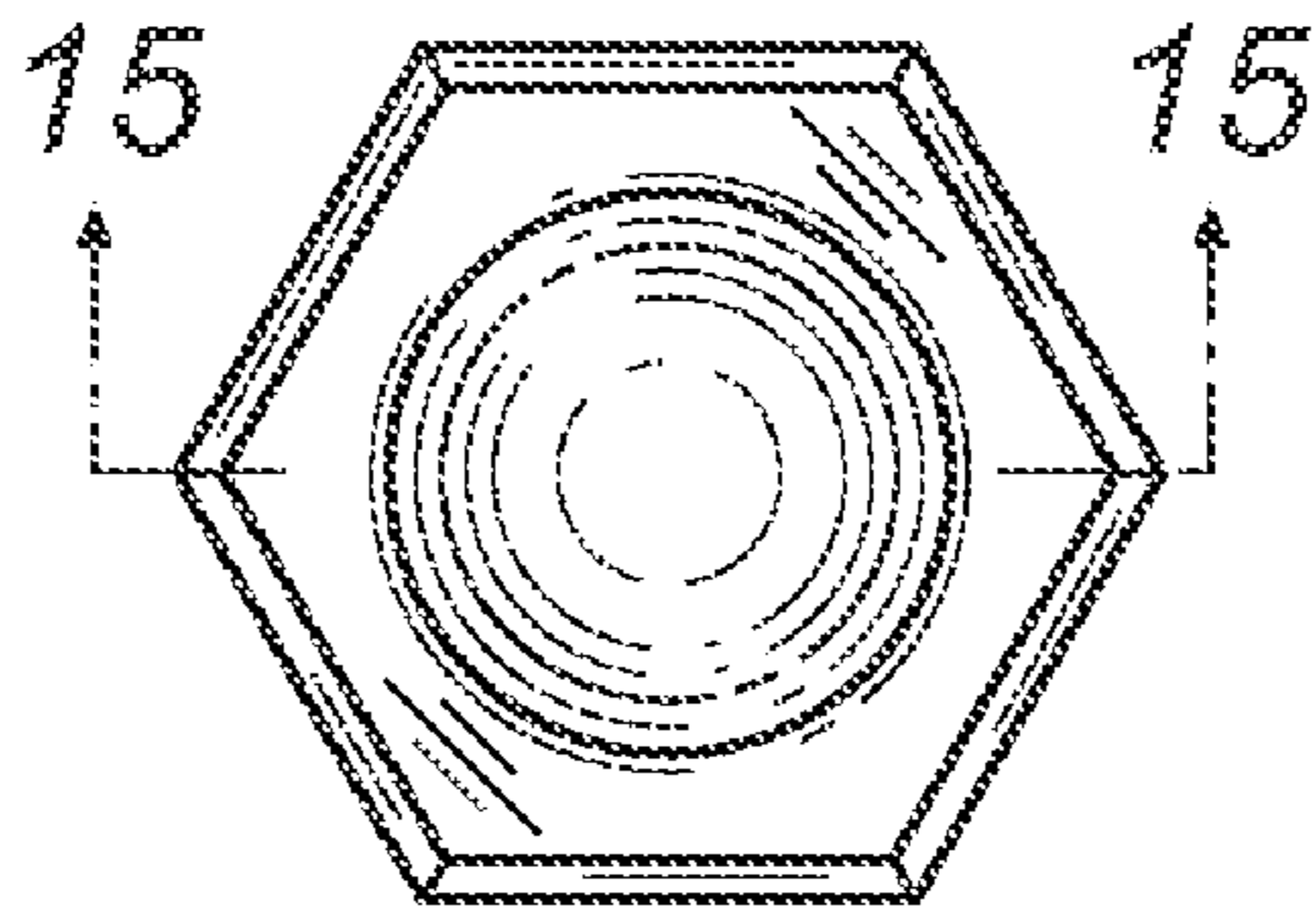


FIG. 13

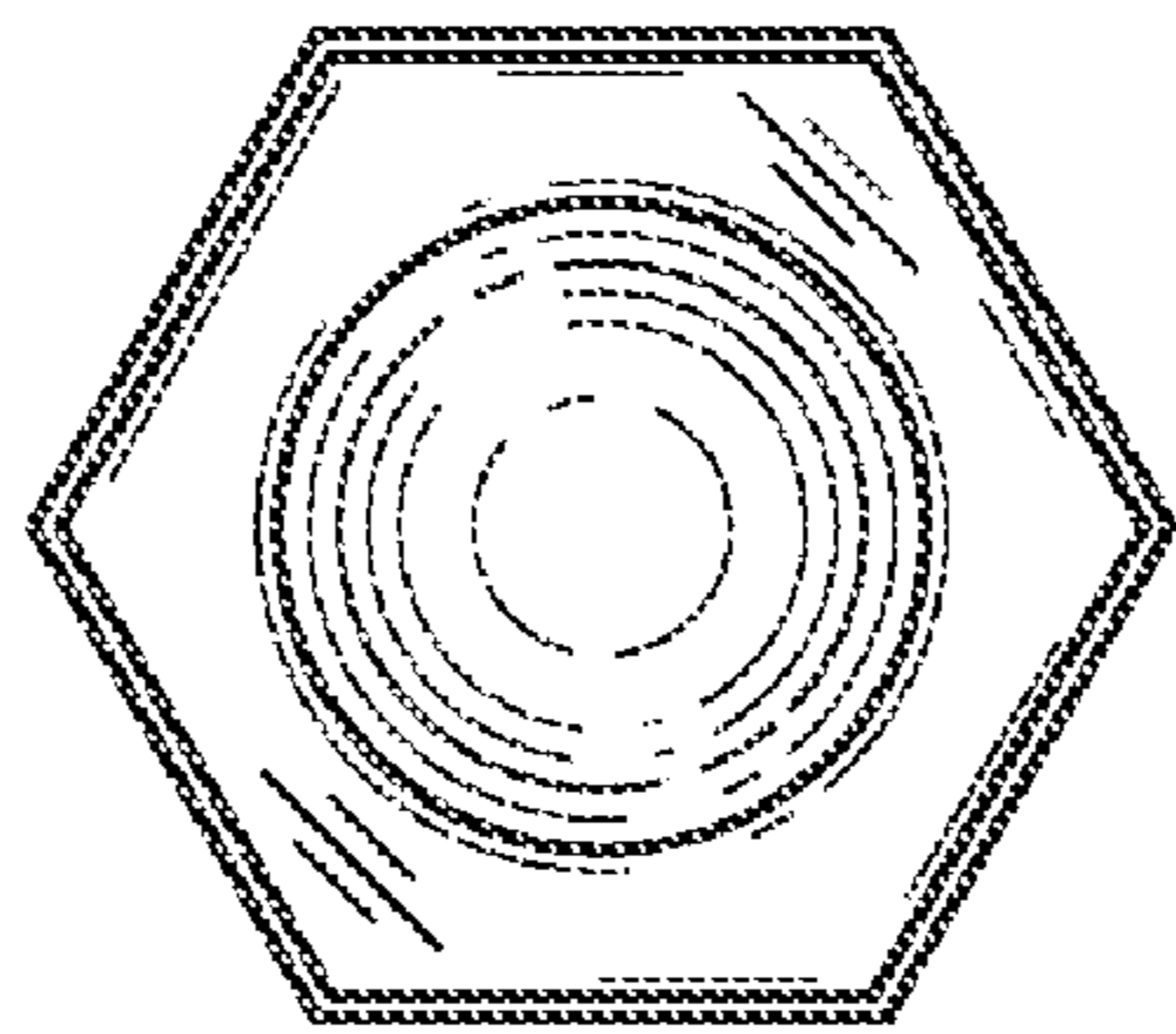


FIG. 14

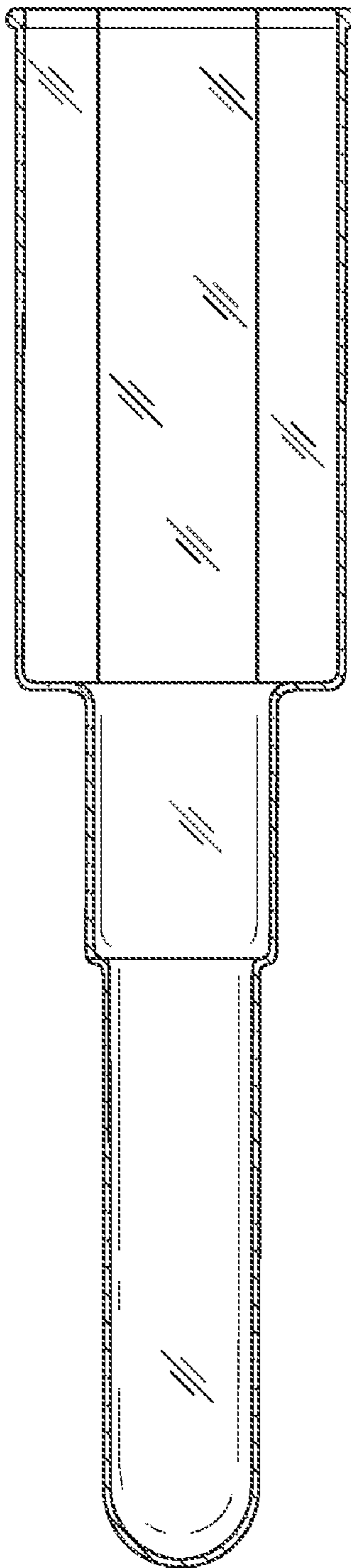


FIG. 15

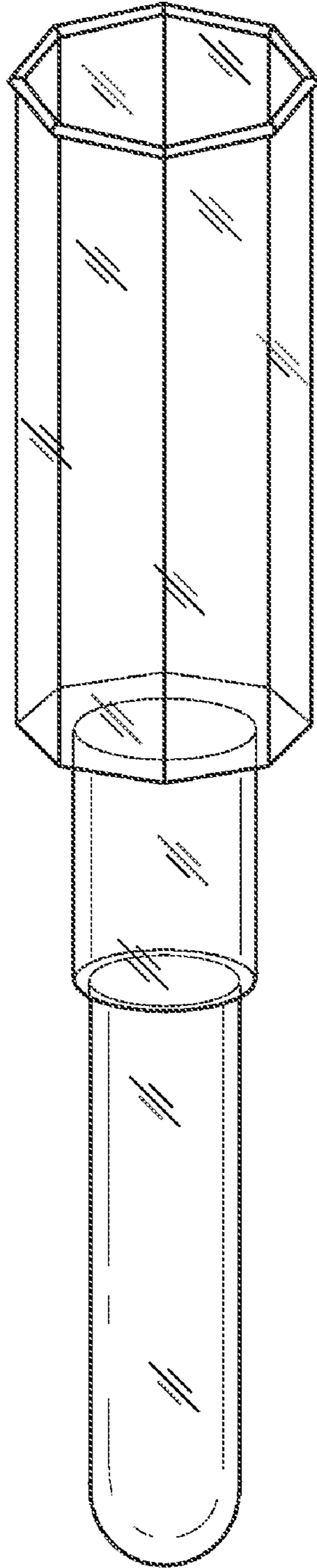


FIG. 16

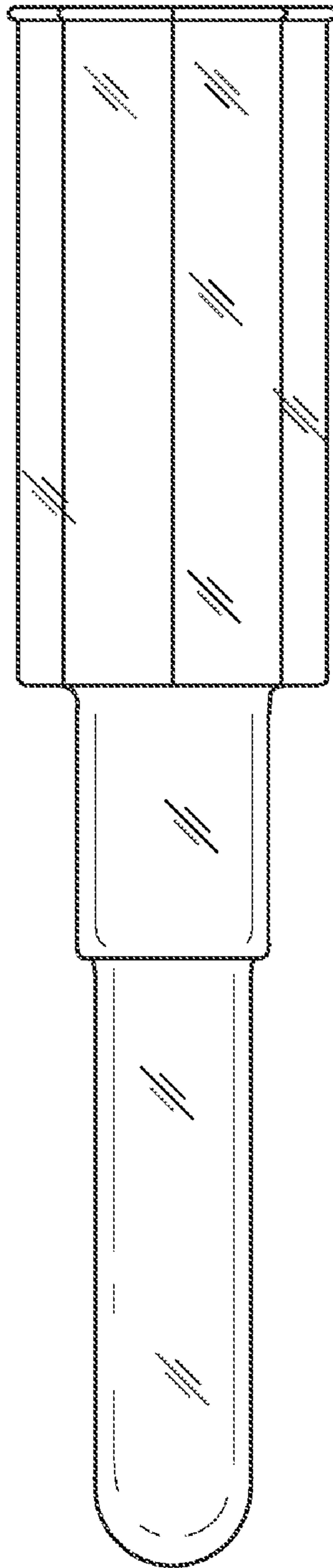


FIG. 17

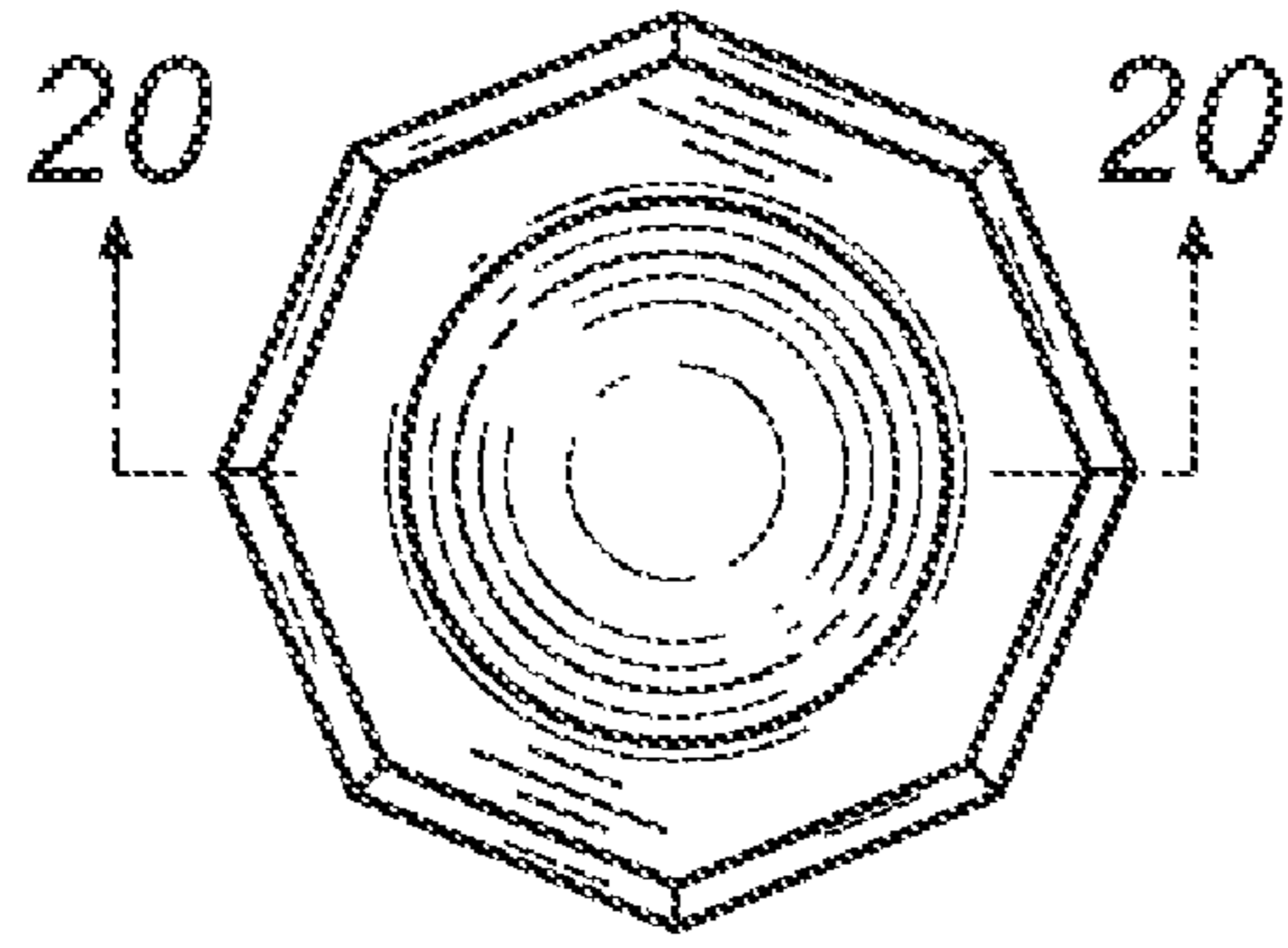


FIG. 18

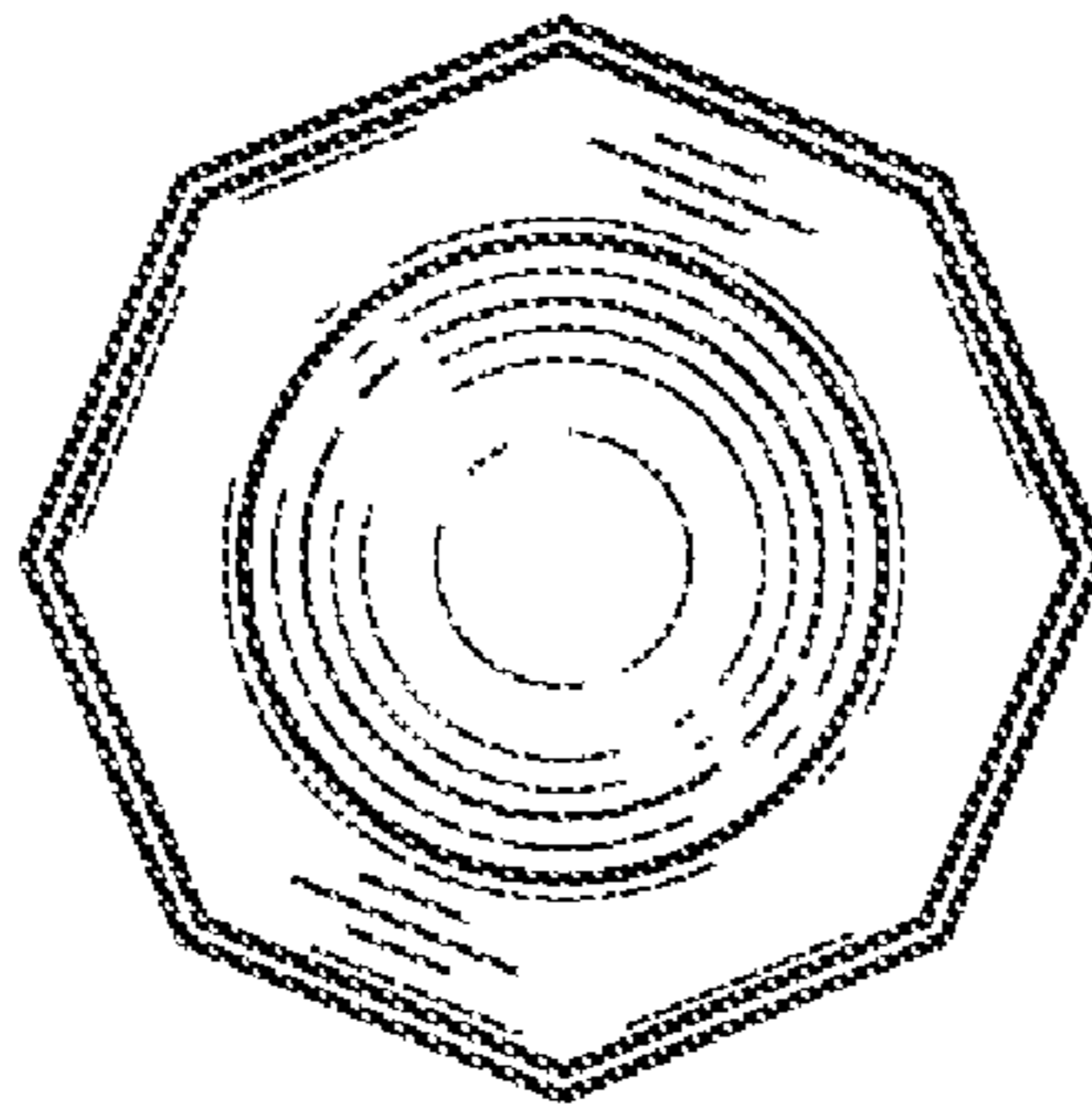


FIG. 19

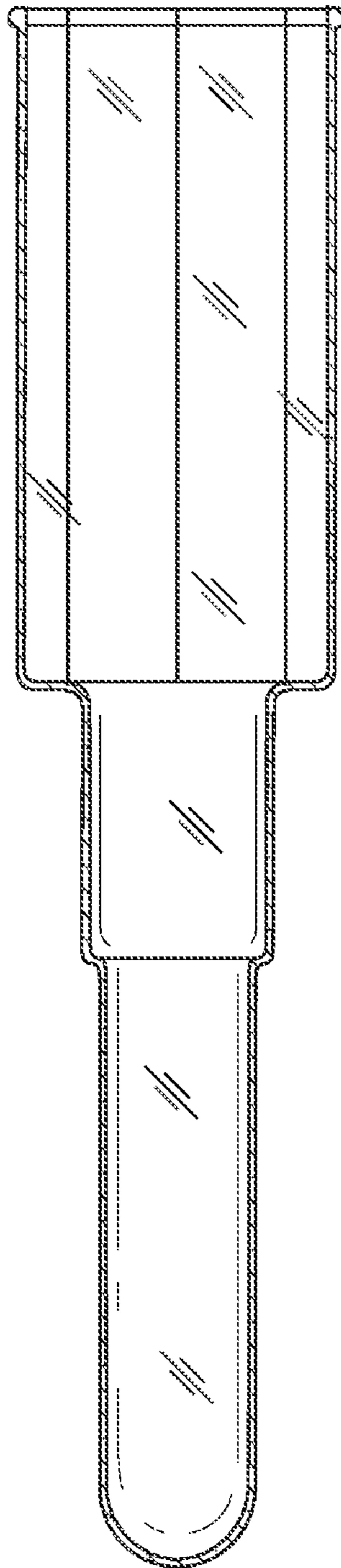


FIG. 20