

US00D563165S

(12) **United States Design Patent**  
**Younger et al.**

(10) **Patent No.:** **US D563,165 S**  
(45) **Date of Patent:** **\*\* Mar. 4, 2008**

(54) **SAFETY COVER**

(75) Inventors: **Victor Robert Younger**, Parma, OH (US); **Robert Jeffrey Browning**, Middleburg Hts., OH (US); **Jeffrey William Palese**, North Ridgeville, OH (US)

(73) Assignee: **Pragotrade, Inc.**, Strongsville, OH (US)

(\*\*) Term: **14 Years**

(21) Appl. No.: **29/234,310**

(22) Filed: **Jul. 15, 2005**

(51) **LOC (8) Cl.** ..... **07-02**

(52) **U.S. Cl.** ..... **D7/414**

(58) **Field of Classification Search** ..... D7/323,  
D7/336, 338, 330-331, 350-367, 339, 347;  
D32/35; 29/426.1; 70/167; 83/478, 545;  
99/324-325, 330-339; 137/296; 220/266;  
239/691; 241/82.2, 82.4, 82.5, 285.2

See application file for complete search history.

(56) **References Cited**

**U.S. PATENT DOCUMENTS**

1,712,232	A *	5/1929	Rothfus	.....	220/266
2,014,608	A *	9/1935	Angelo	.....	241/285.2
2,229,845	A *	1/1941	Gold	.....	241/82.4
2,277,123	A *	3/1942	Majestic	.....	241/82.5
2,573,629	A *	10/1951	Klingens et al.	.....	83/545
2,841,197	A *	7/1958	Ardrey	.....	241/82.2

4,331,299	A *	5/1982	Culbertson et al.	.....	239/691
4,962,581	A *	10/1990	Rutigliano	.....	29/426.1
5,188,011	A *	2/1993	Somal et al.	.....	83/478
D349,792	S *	8/1994	Mulholland	.....	D32/35
6,688,326	B1 *	2/2004	Sigelakis	.....	137/296
6,694,783	B2 *	2/2004	Trempala	.....	70/167

\* cited by examiner

*Primary Examiner*—Mimosa De

*Assistant Examiner*—Ricky Pham

(74) *Attorney, Agent, or Firm*—Tarolli, Sundheim, Covell & Tummino LLP

(57) **CLAIM**

The ornamental design for a safety cover, as shown and described.

**DESCRIPTION**

FIG. 1 is a perspective view of a safety cover showing our new design;

FIG. 2 is a top plan view thereof;

FIG. 3 is a bottom plan view thereof;

FIG. 4 is a front elevational view thereof;

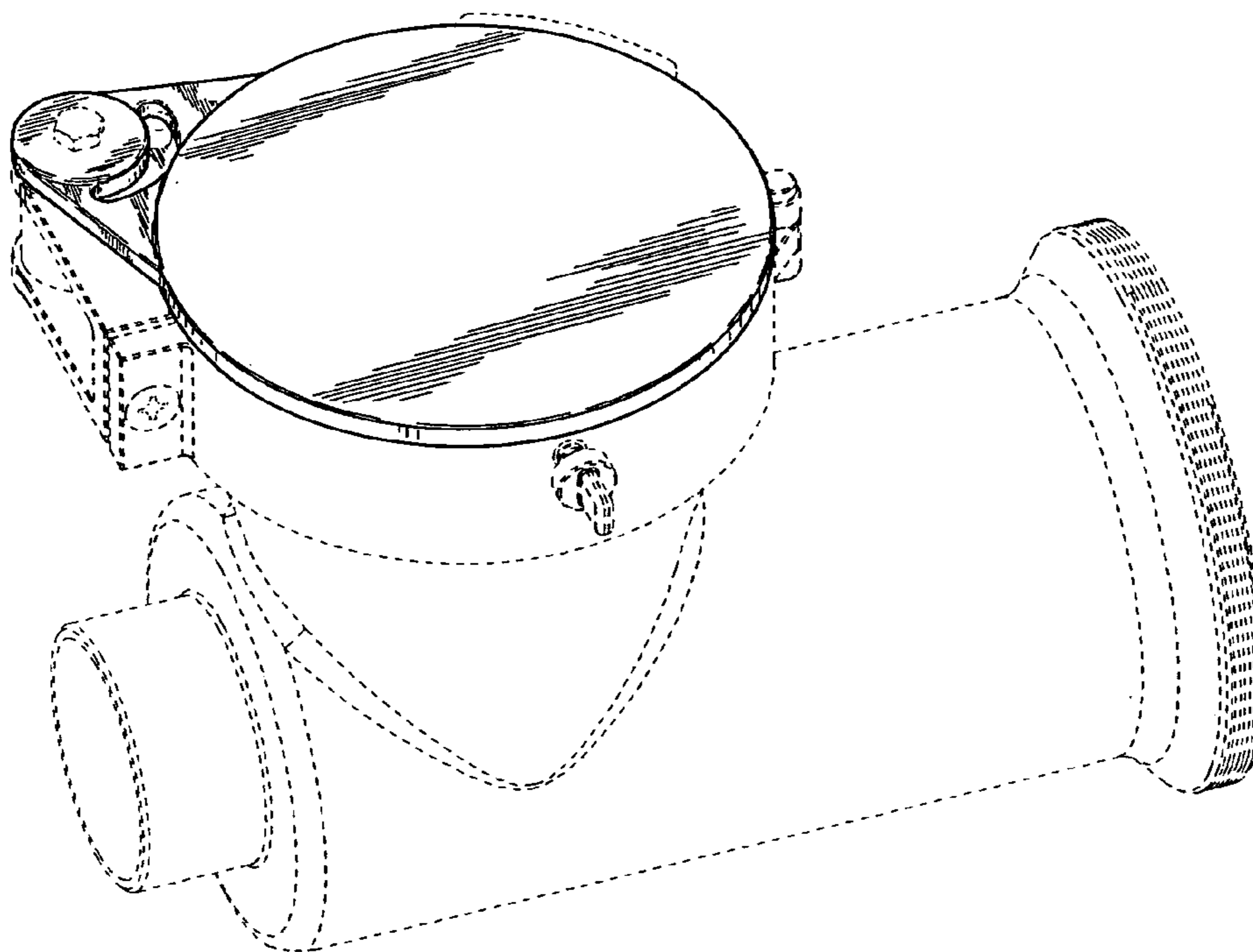
FIG. 5 is a rear elevational view of thereof;

FIG. 6 is a left side elevational view thereof; and,

FIG. 7 is a right side elevational view thereof.

The broken lines shown in the drawings are for illustrative purposes only and form no part of the claimed design.

**1 Claim, 3 Drawing Sheets**



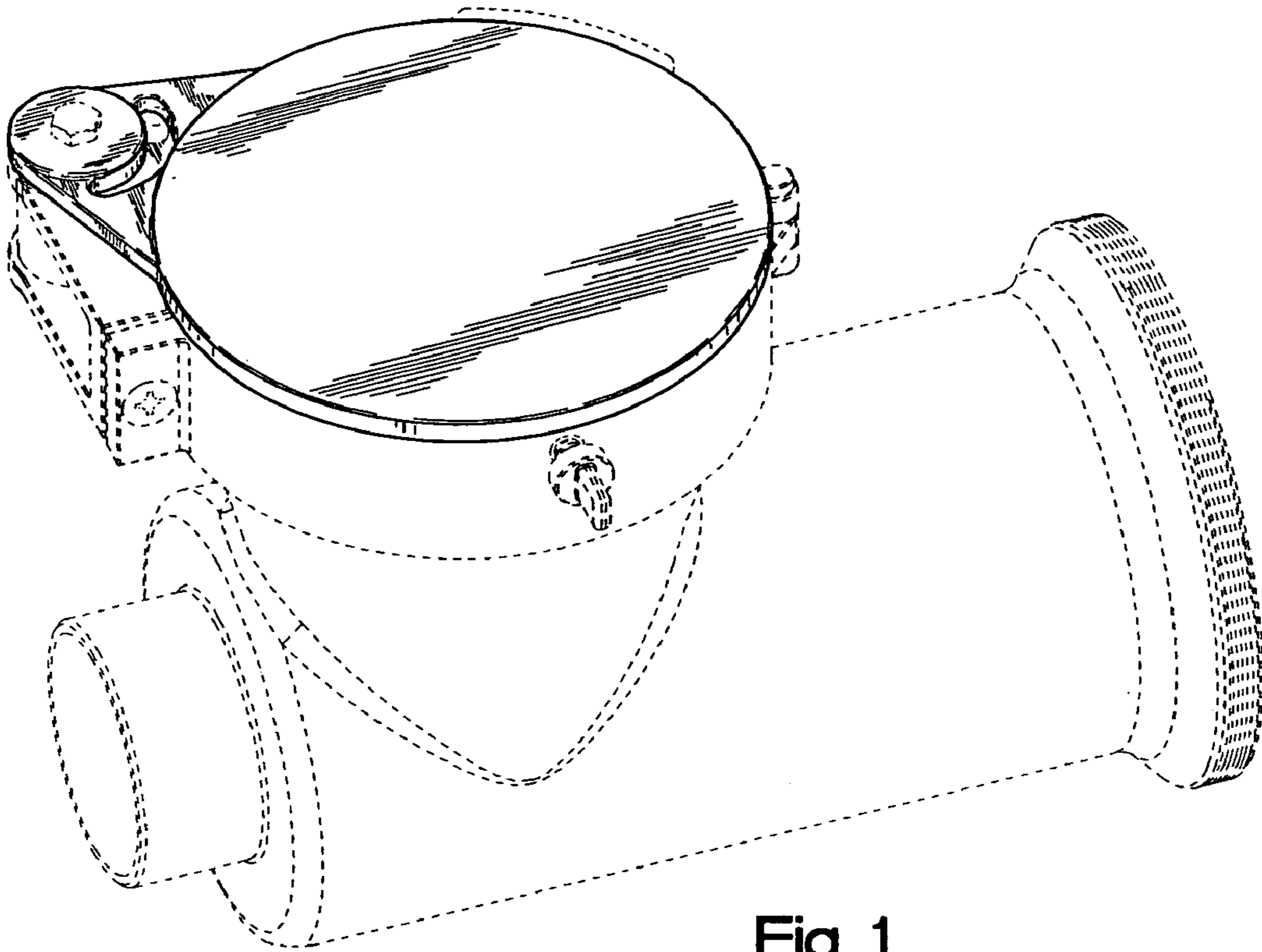


Fig. 1

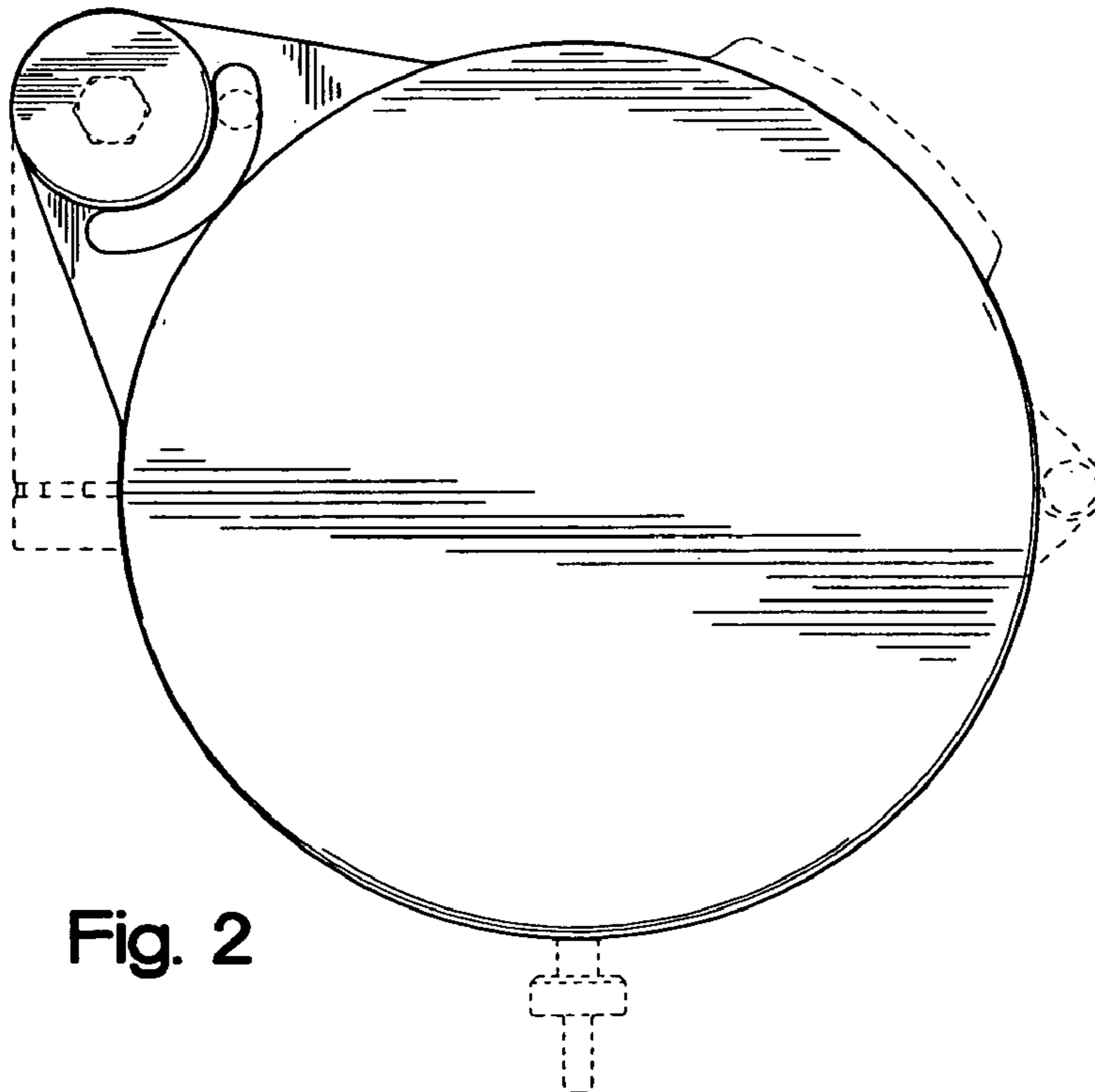


Fig. 2

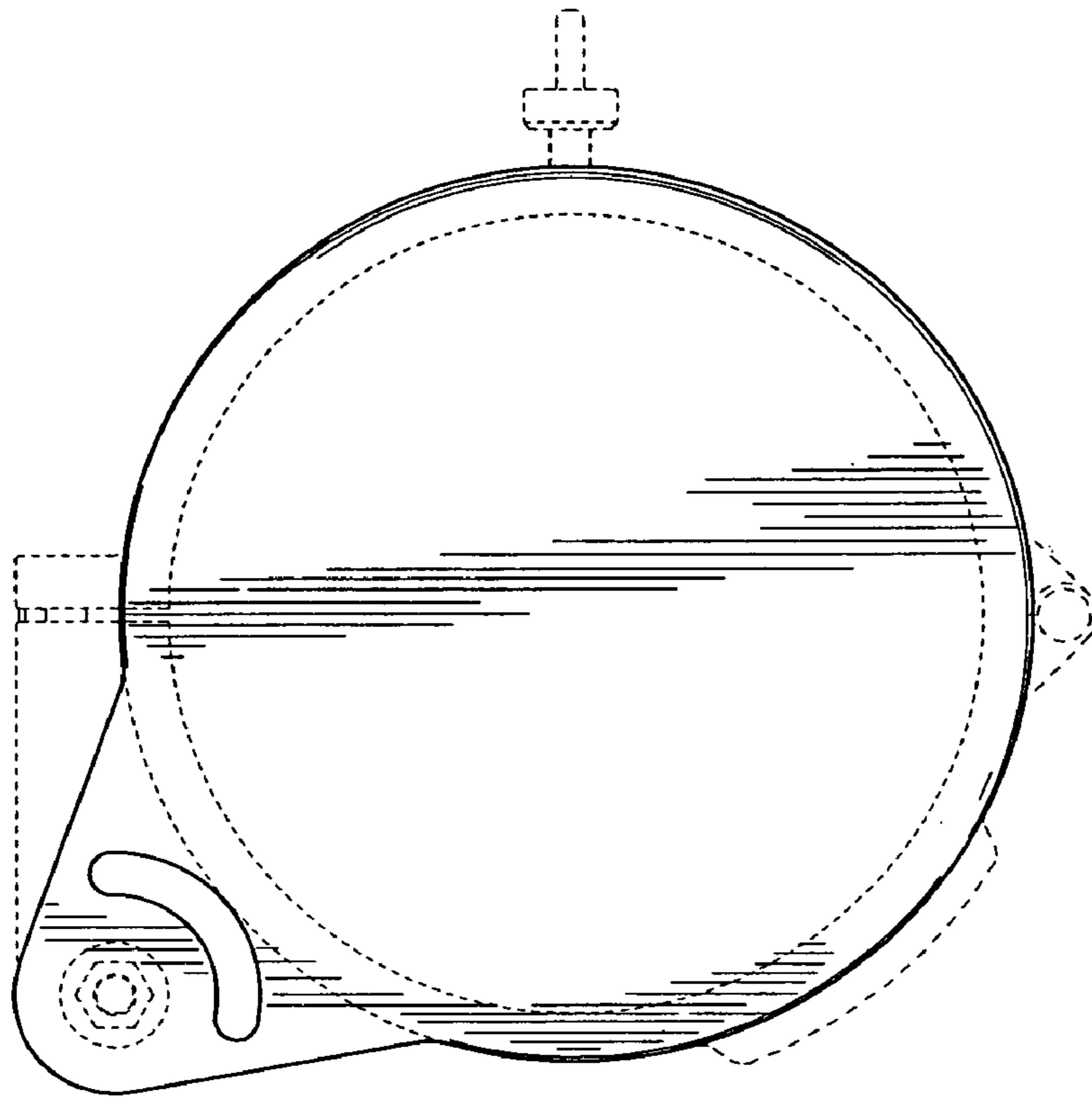


Fig. 3

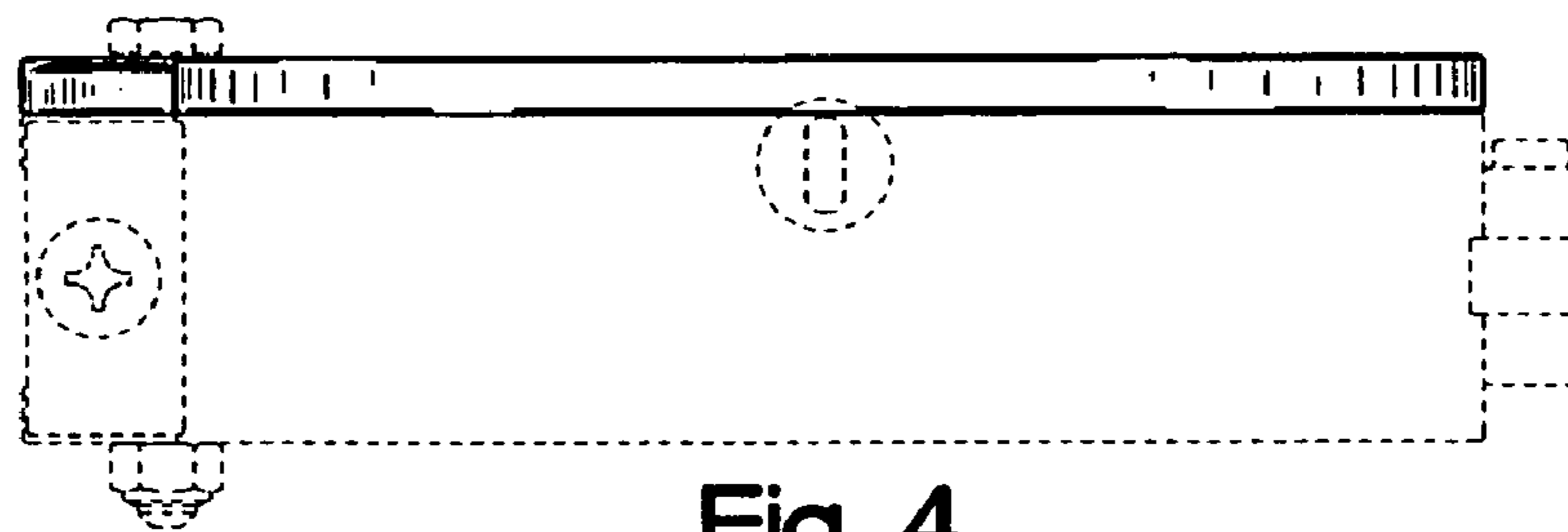


Fig. 4

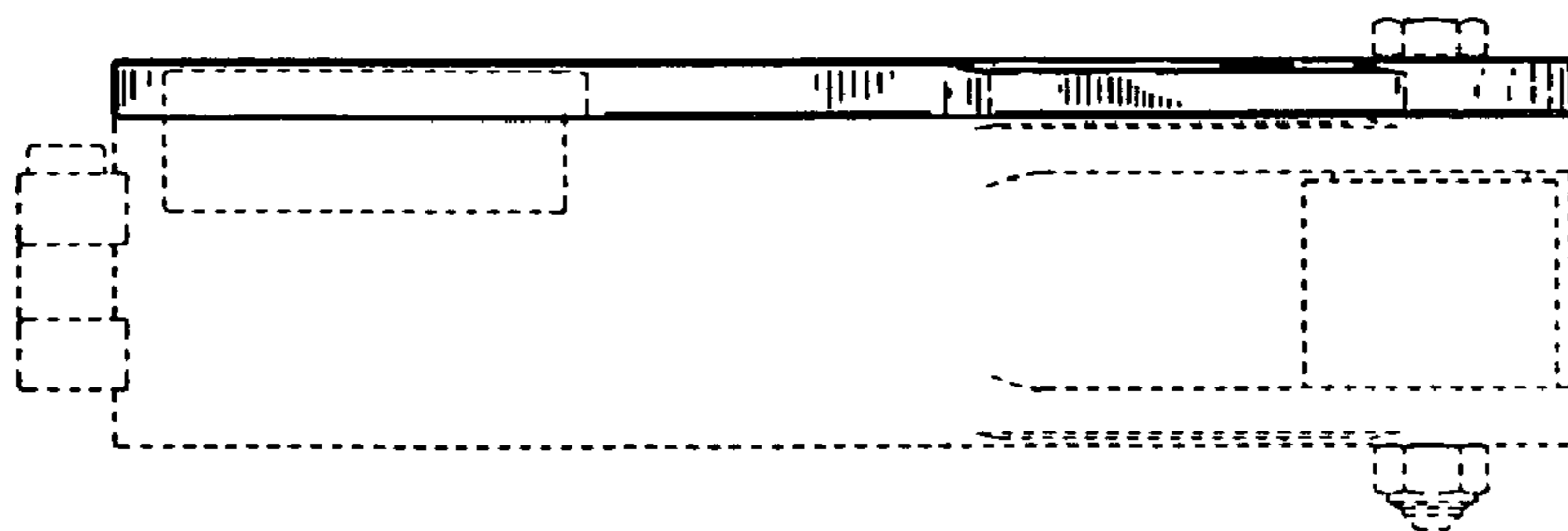


Fig. 5

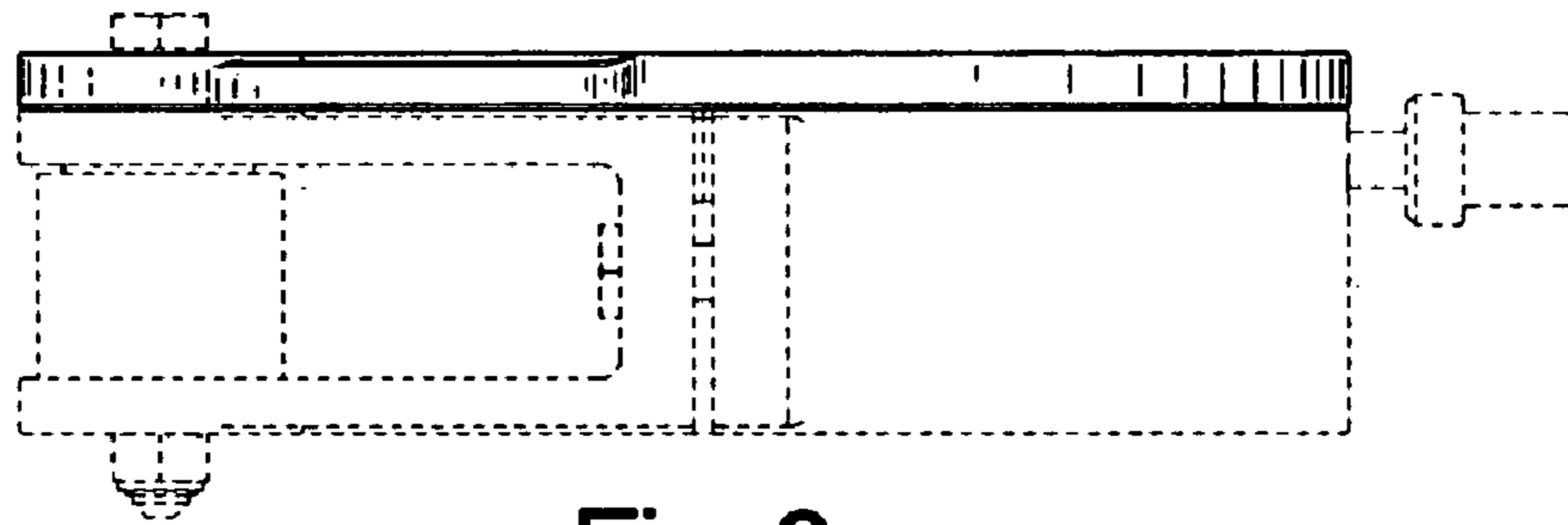


Fig. 6

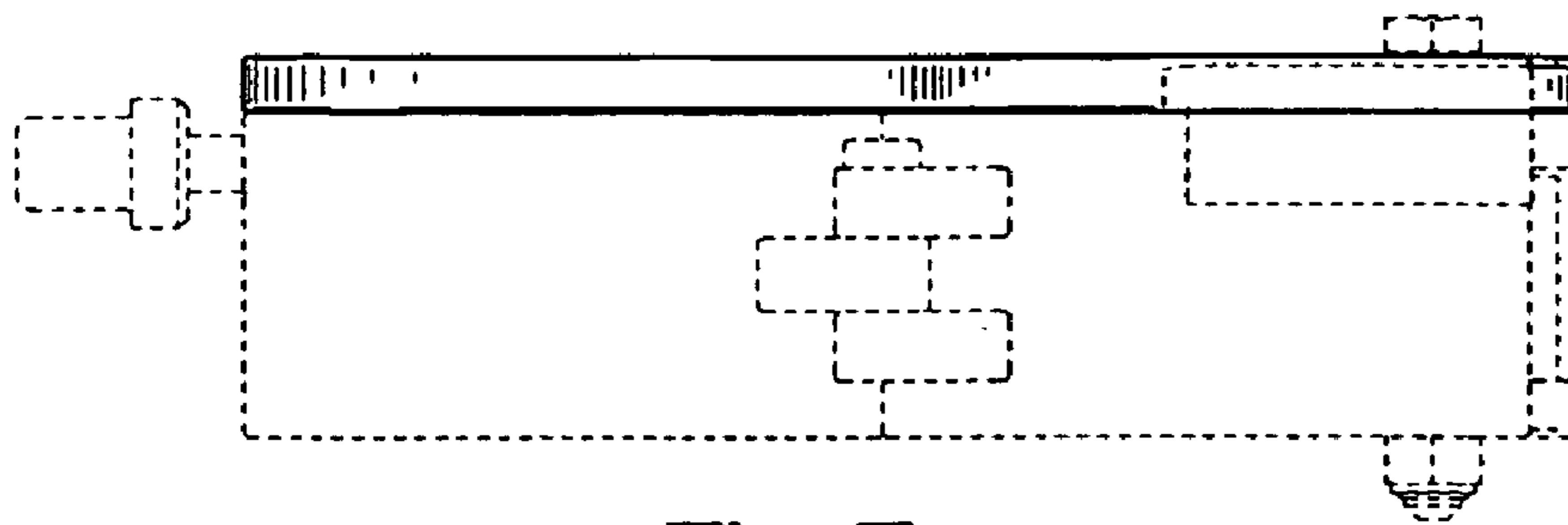


Fig. 7