



US00D563164S

(12) **United States Design Patent**  
**Sands**

(10) **Patent No.:** **US D563,164 S**

(45) **Date of Patent:** **\*\* Mar. 4, 2008**

(54) **BLENDER CONTAINER**

(75) Inventor: **Lenny Sands**, Encino, CA (US)

(73) Assignee: **Homeland Housewares, LLC**, Los Angeles, CA (US)

(\*\*) Term: **14 Years**

(21) Appl. No.: **29/285,440**

(22) Filed: **Mar. 28, 2007**

(51) **LOC (8) Cl.** ..... **07-02**

(52) **U.S. Cl.** ..... **D7/413**

(58) **Field of Classification Search** ..... D7/300.1,  
D7/306-307, 313, 372-386, 412, 413, 536,  
D7/665; D14/413; 74/16; 99/509-511;  
241/30, 33, 37.5, 101.01-101.02, 166-169.1,  
241/195, 199.12, 274-278.2, 282.1-282.2,  
241/285.1-285.3, 291, 292.1, 301; 318/443;  
366/64-67, 98, 100, 129, 191, 197-201,  
366/205-207, 219-221, 241-254, 279-292,  
366/325.94, 330.4, 341-343

See application file for complete search history.

(56) **References Cited**

**U.S. PATENT DOCUMENTS**

D204,924 S	*	5/1966	Di Sesa	.....	D7/378
D386,355 S	*	11/1997	Davidson et al.	.....	D7/378
D386,357 S	*	11/1997	Davidson	.....	D7/413
D386,941 S	*	12/1997	Barker	.....	D7/378
D404,247 S	*	1/1999	Spagnolo	.....	D7/378
D488,957 S	*	4/2004	Holderfield et al.	.....	D7/413
D493,329 S	*	7/2004	Feil	.....	D7/378
D499,602 S	*	12/2004	Feil	.....	D7/378
D499,606 S	*	12/2004	Feil	.....	D7/413
D512,265 S	*	12/2005	McCurrach	.....	D7/378
D525,482 S	*	7/2006	Kassenaar	.....	D7/378
D526,156 S	*	8/2006	Yeung	.....	D7/378
D530,565 S	*	10/2006	Grcic	.....	D7/378
D532,251 S	*	11/2006	Kassenaar	.....	D7/378
D533,020 S	*	12/2006	Kassenaar et al.	.....	D7/378
D533,395 S	*	12/2006	Drees et al.	.....	D7/378
D537,674 S	*	3/2007	Davenport et al.	.....	D7/378

D543,072 S \* 5/2007 Ting et al. .... D7/378  
2005/0068847 A1\* 3/2005 Sands ..... 366/205

\* cited by examiner

*Primary Examiner*—Caron D. Veynar

*Assistant Examiner*—Ricky Pham

(74) *Attorney, Agent, or Firm*—Cislo & Thomas, LLP

(57) **CLAIM**

The ornamental design for a blender container, as shown and described.

**DESCRIPTION**

FIG. 1 is a perspective view of a blender container, in accordance with the present invention.

FIG. 2 is a front view of the blender container, as shown in FIG. 1.

FIG. 3 is a side view of the blender container, as shown in FIG. 1.

FIG. 4 is an opposing side view of the blender container, as shown in FIG. 1.

FIG. 5 is a rear view of the blender container, as shown in FIG. 1.

FIG. 6 is a top view of the blender container, as shown in FIG. 1.

FIG. 7 is a bottom view of the blender container, as shown in FIG. 1.

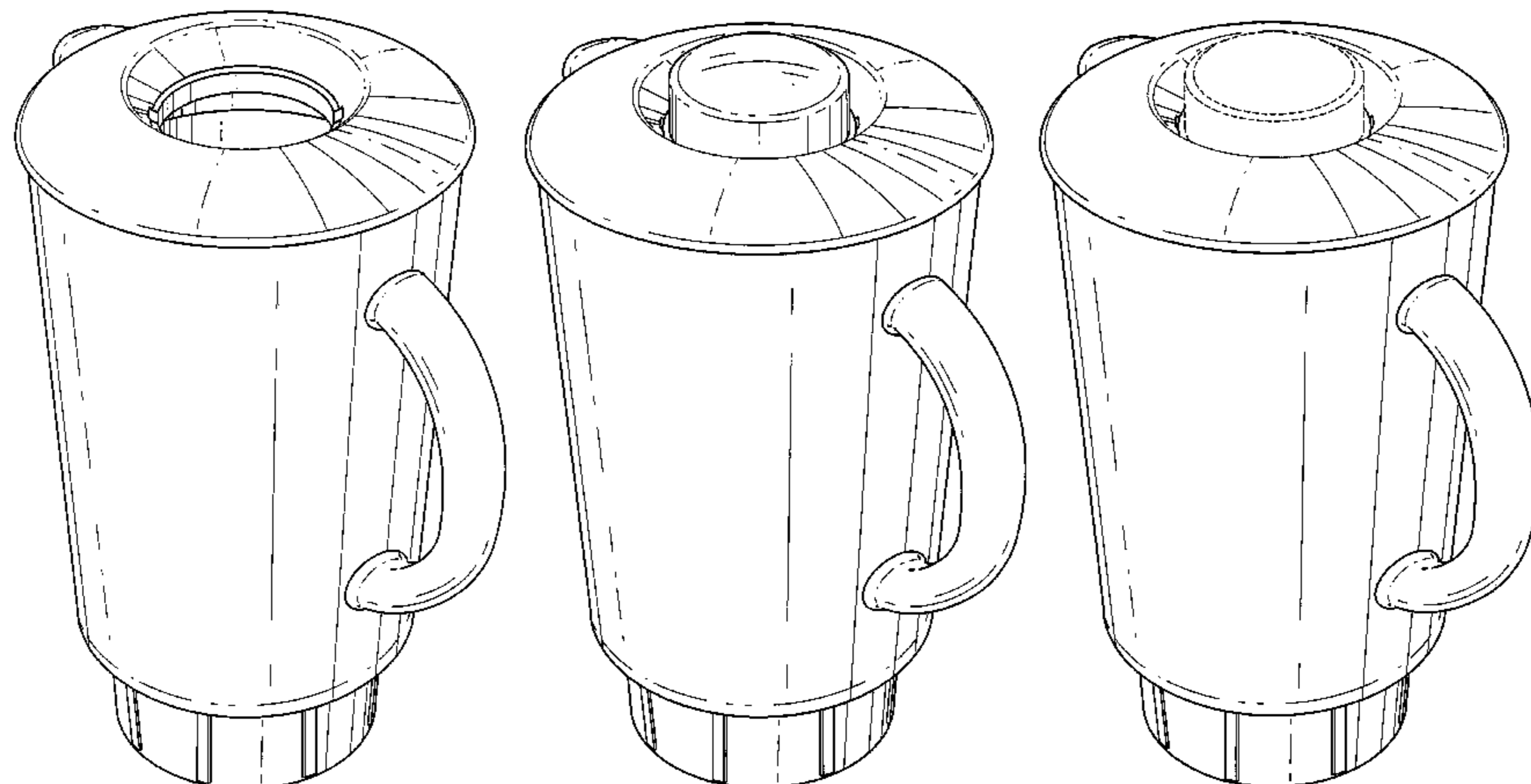
FIG. 8 is an exploded perspective view of the blender container, as shown in FIG. 1.

FIG. 9 is a perspective view of a second embodiment of the blender container of FIG. 1; and,

FIG. 10 is a perspective view of a blender container of FIG. 1, as shown with a central knob.

Any broken lines, shown throughout in the drawing figures, are included for the purpose of illustrating environmental structures only and form no part of the claimed design. Reference photographs are herein included for the purpose of illustrating structures shown in the drawing figures and are not intended, in any way, to limit the claimed design.

**1 Claim, 10 Drawing Sheets**



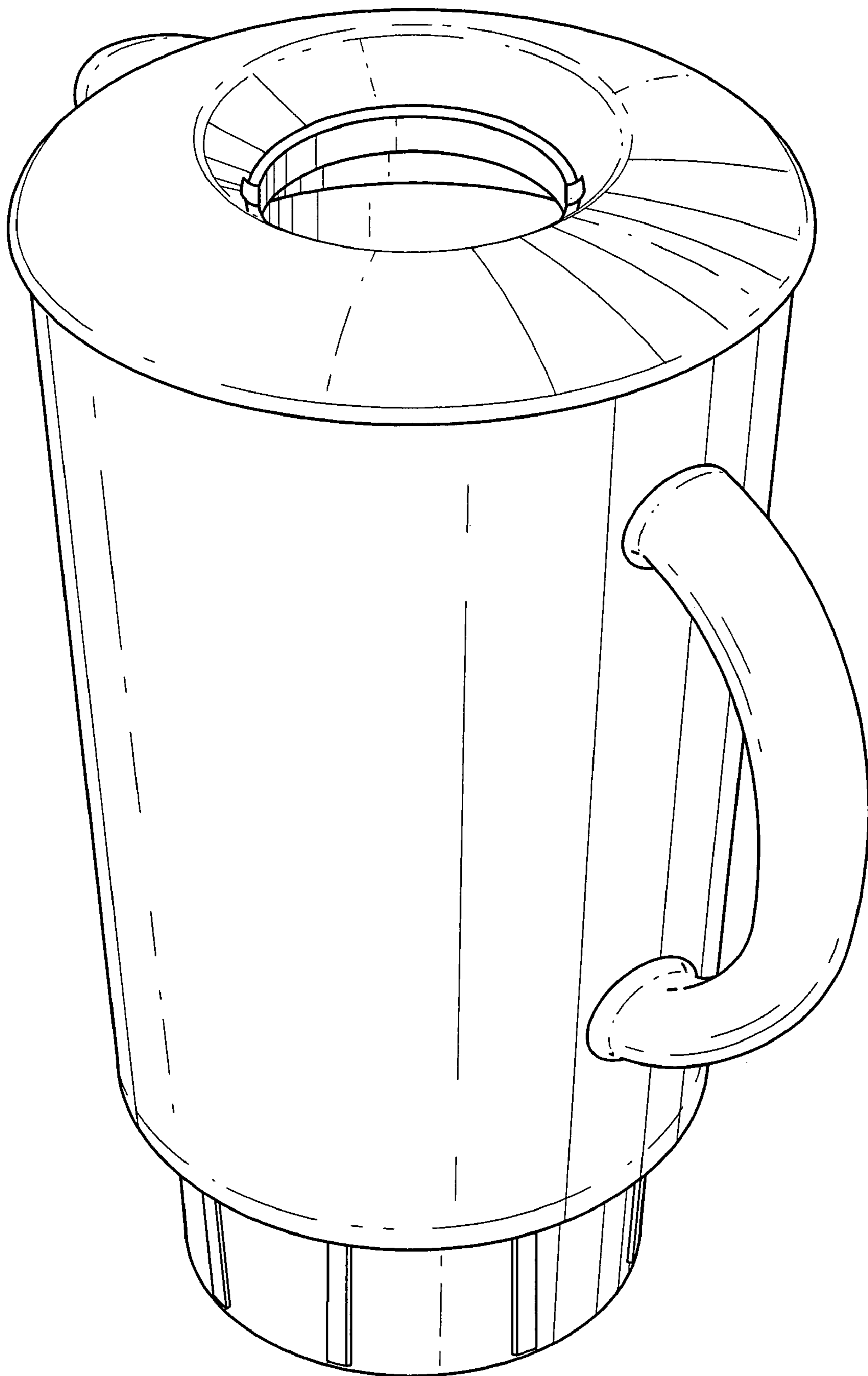


FIG. 1

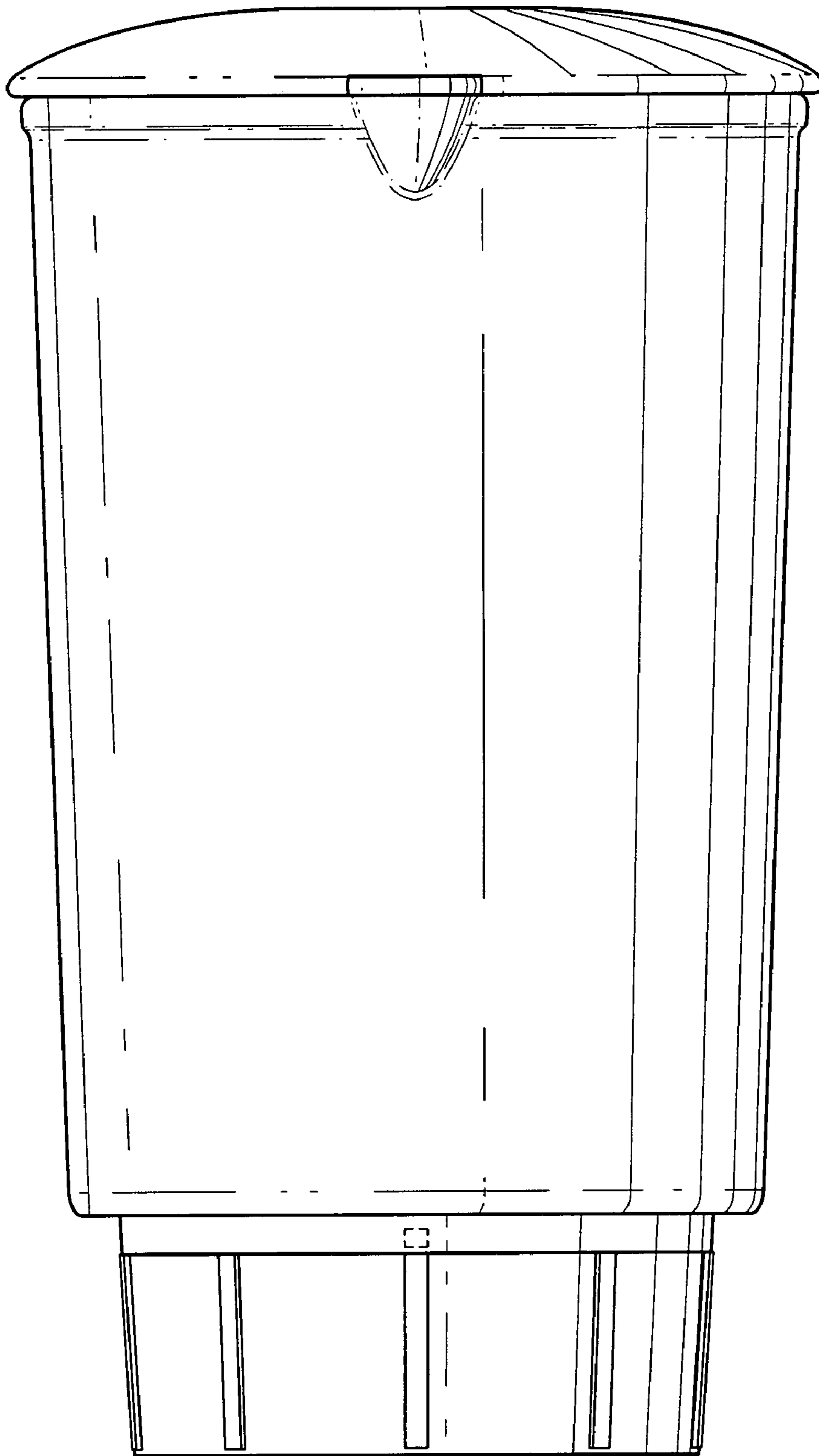


FIG. 2

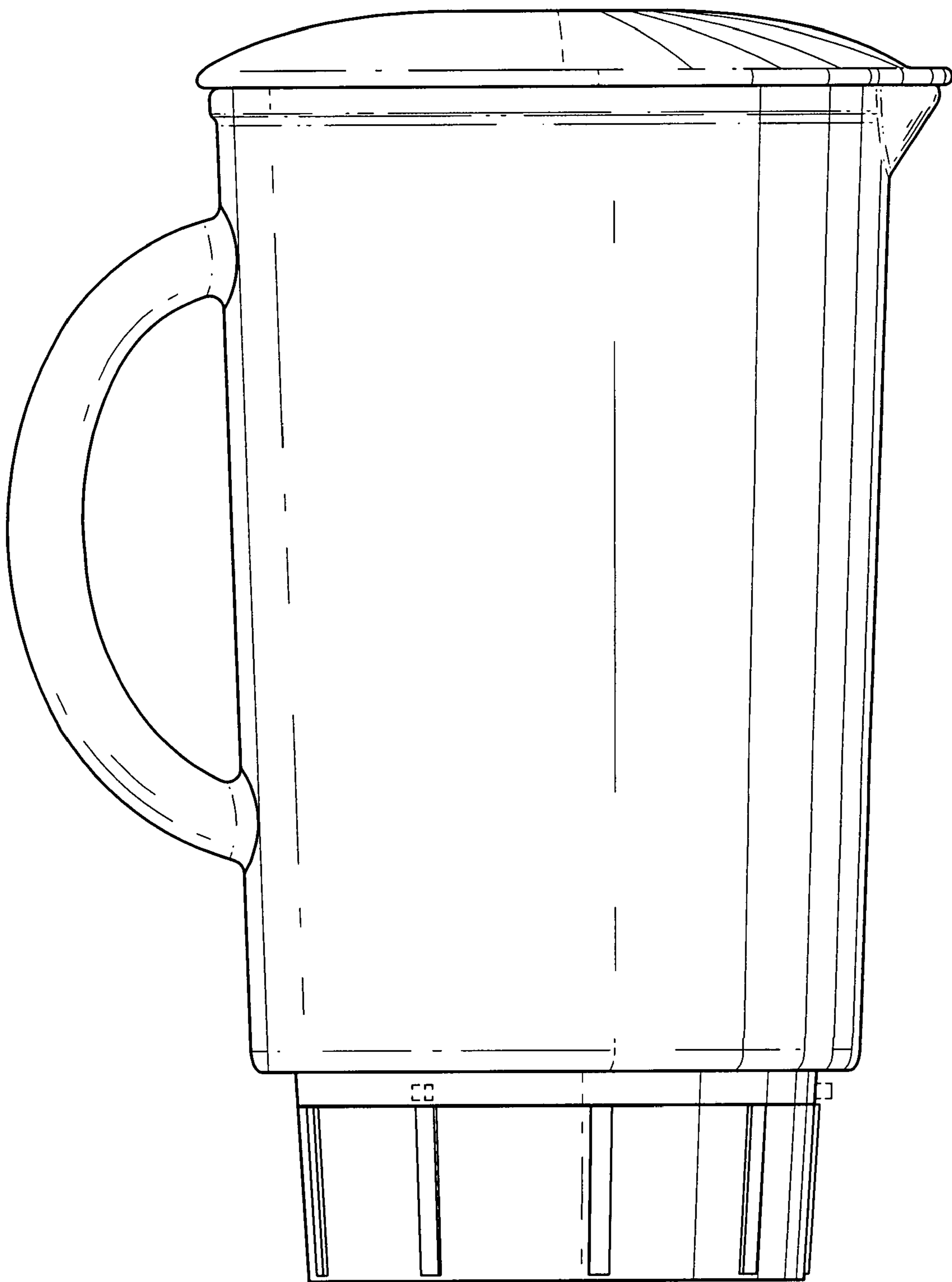


FIG. 3

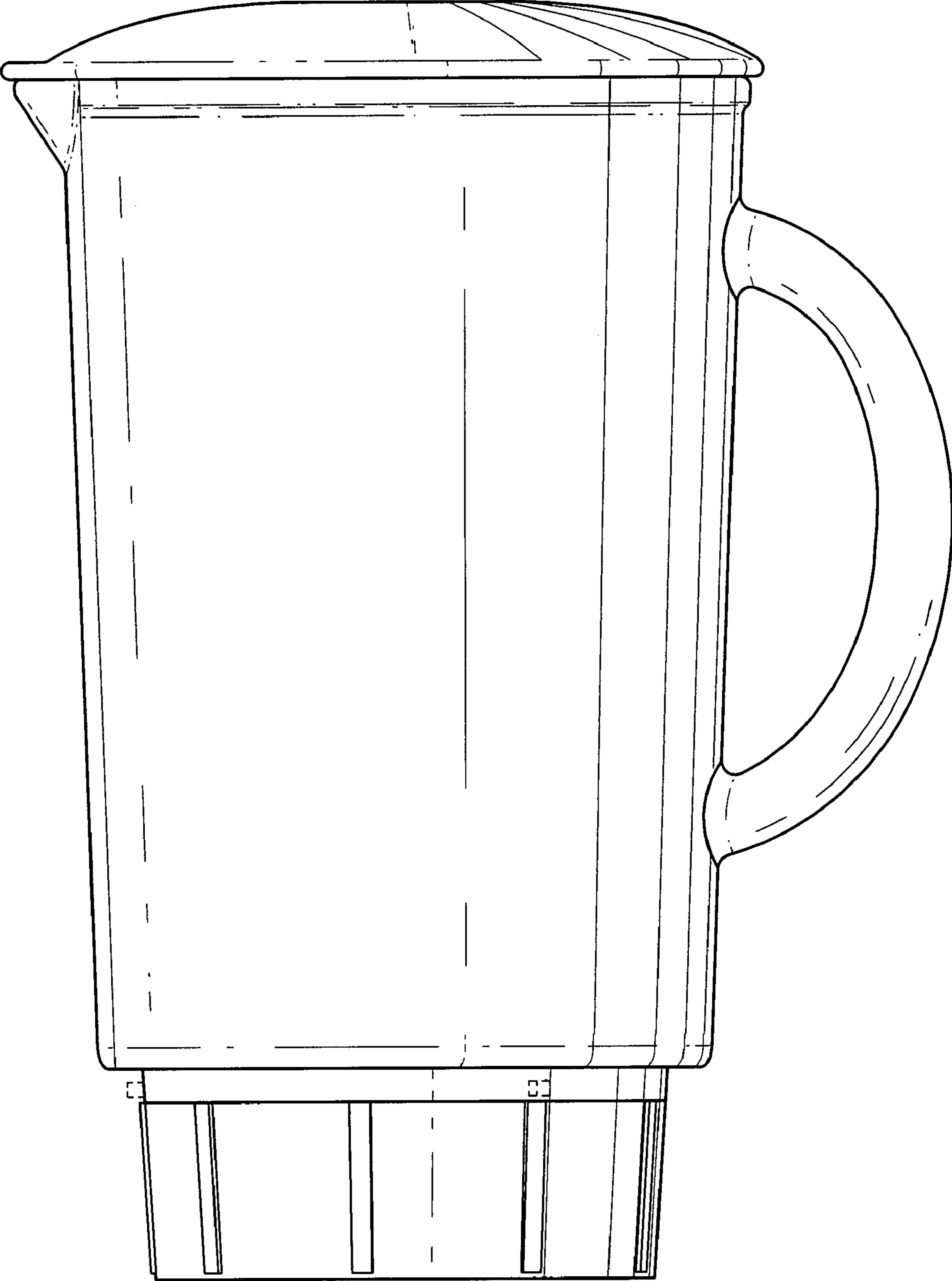


FIG. 4

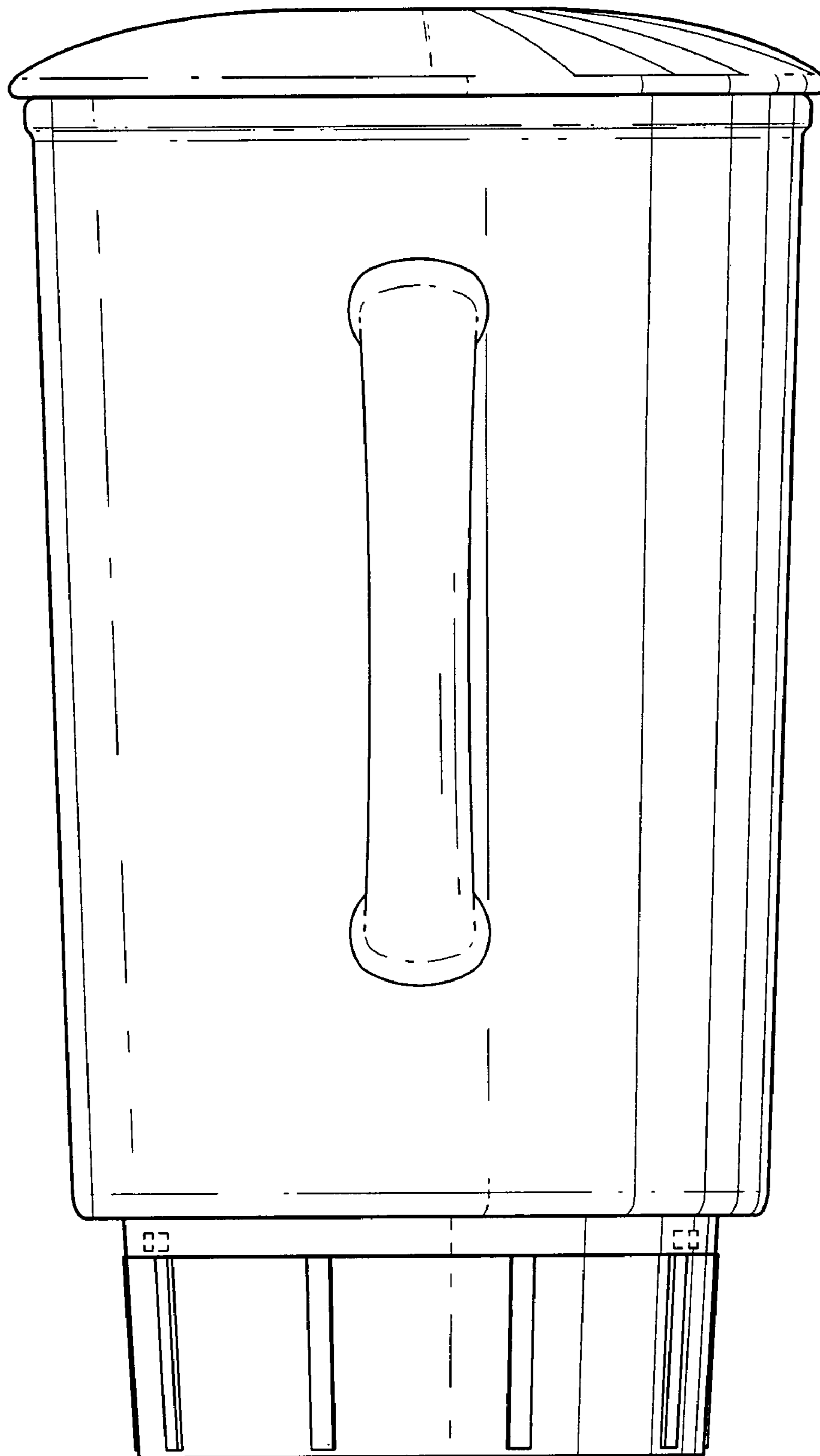


FIG. 5



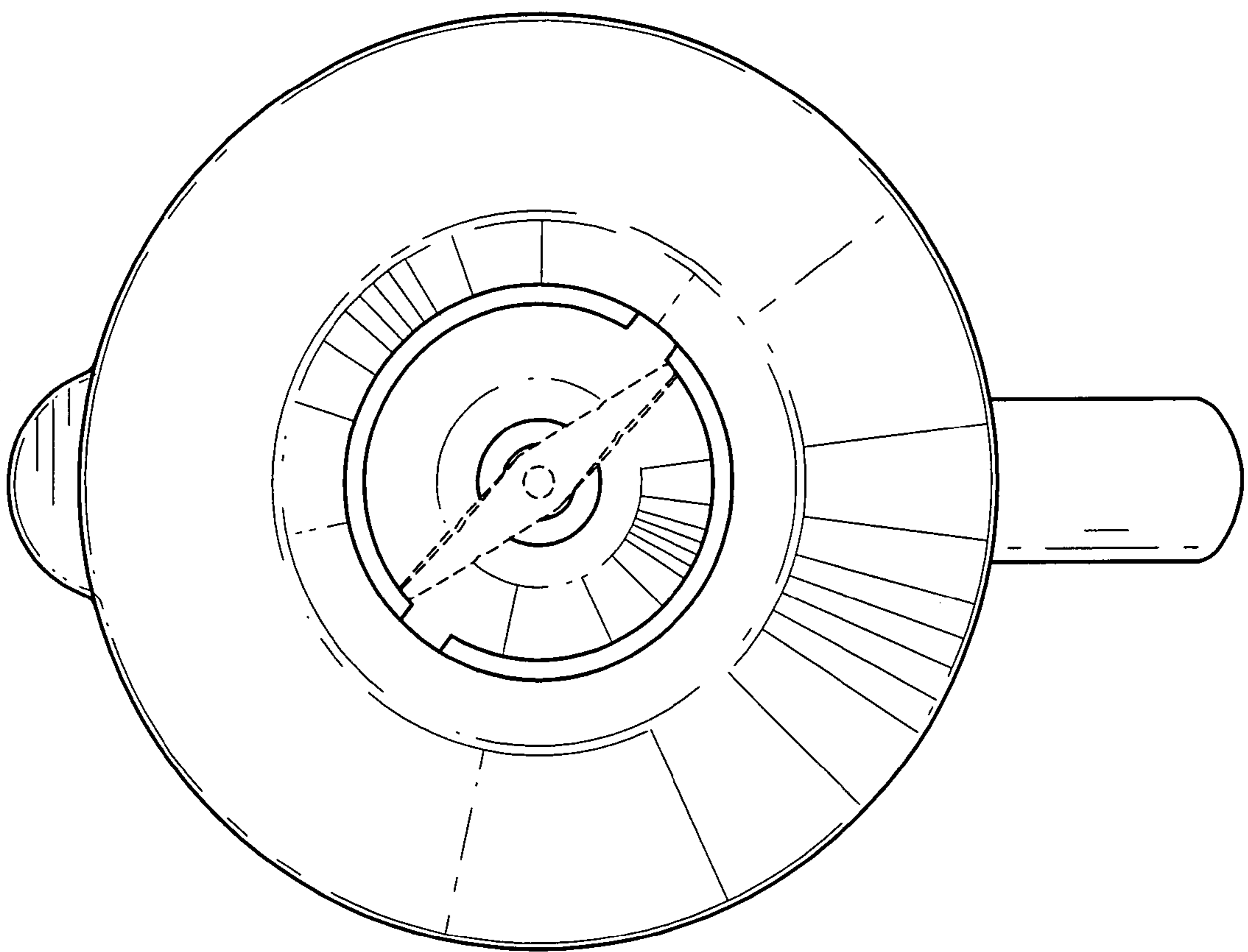


FIG. 6

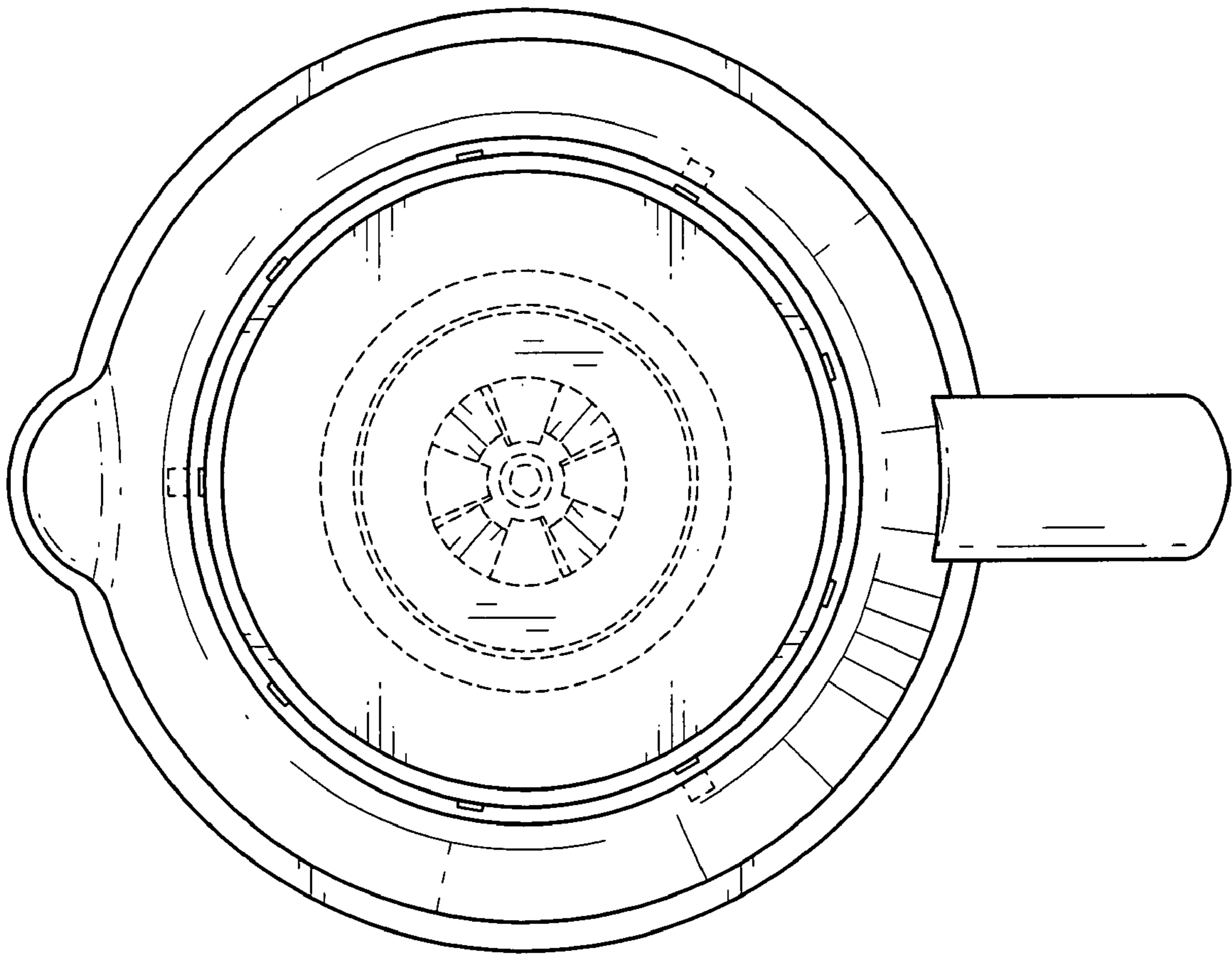


FIG. 7



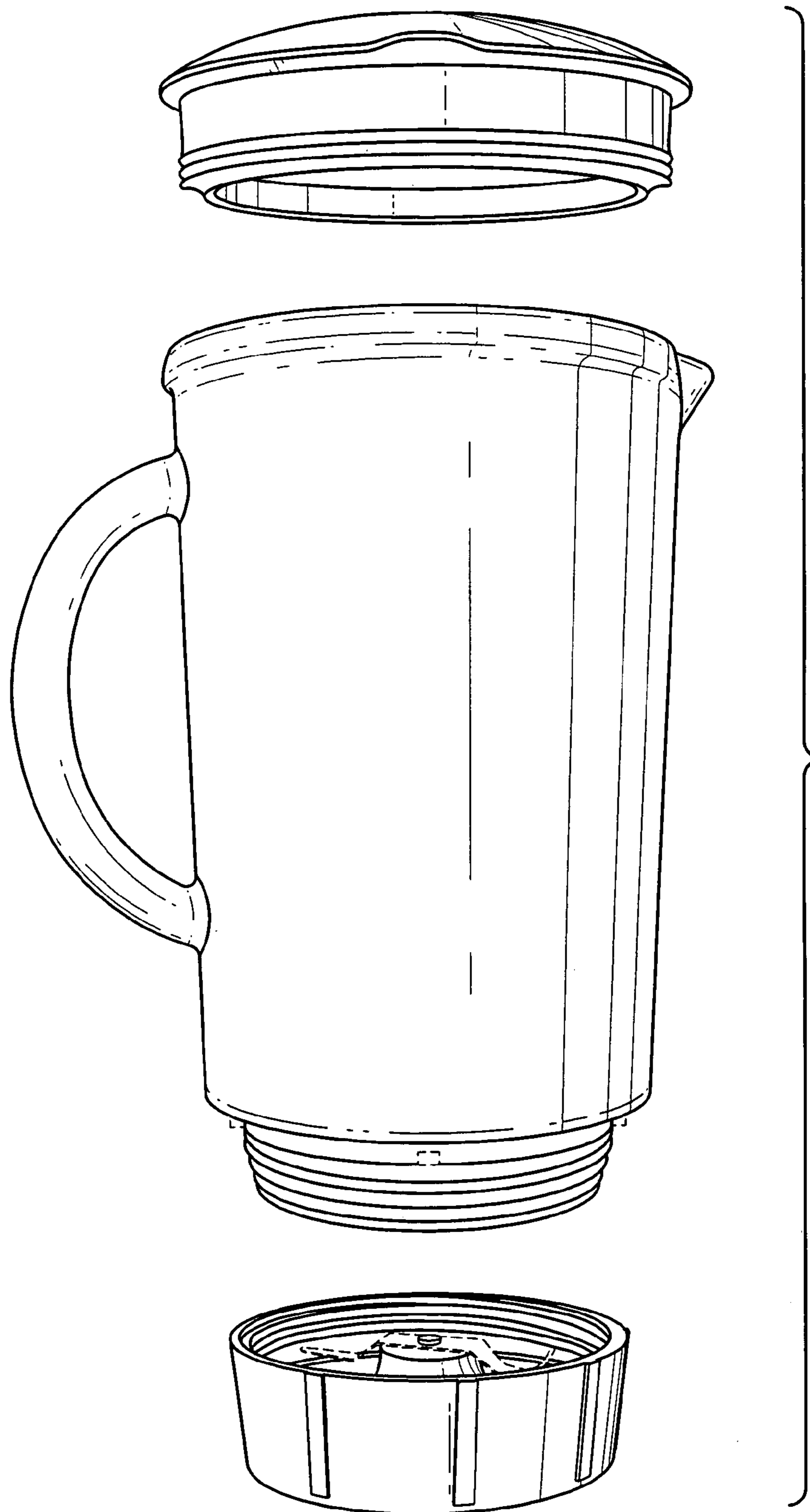


FIG. 8

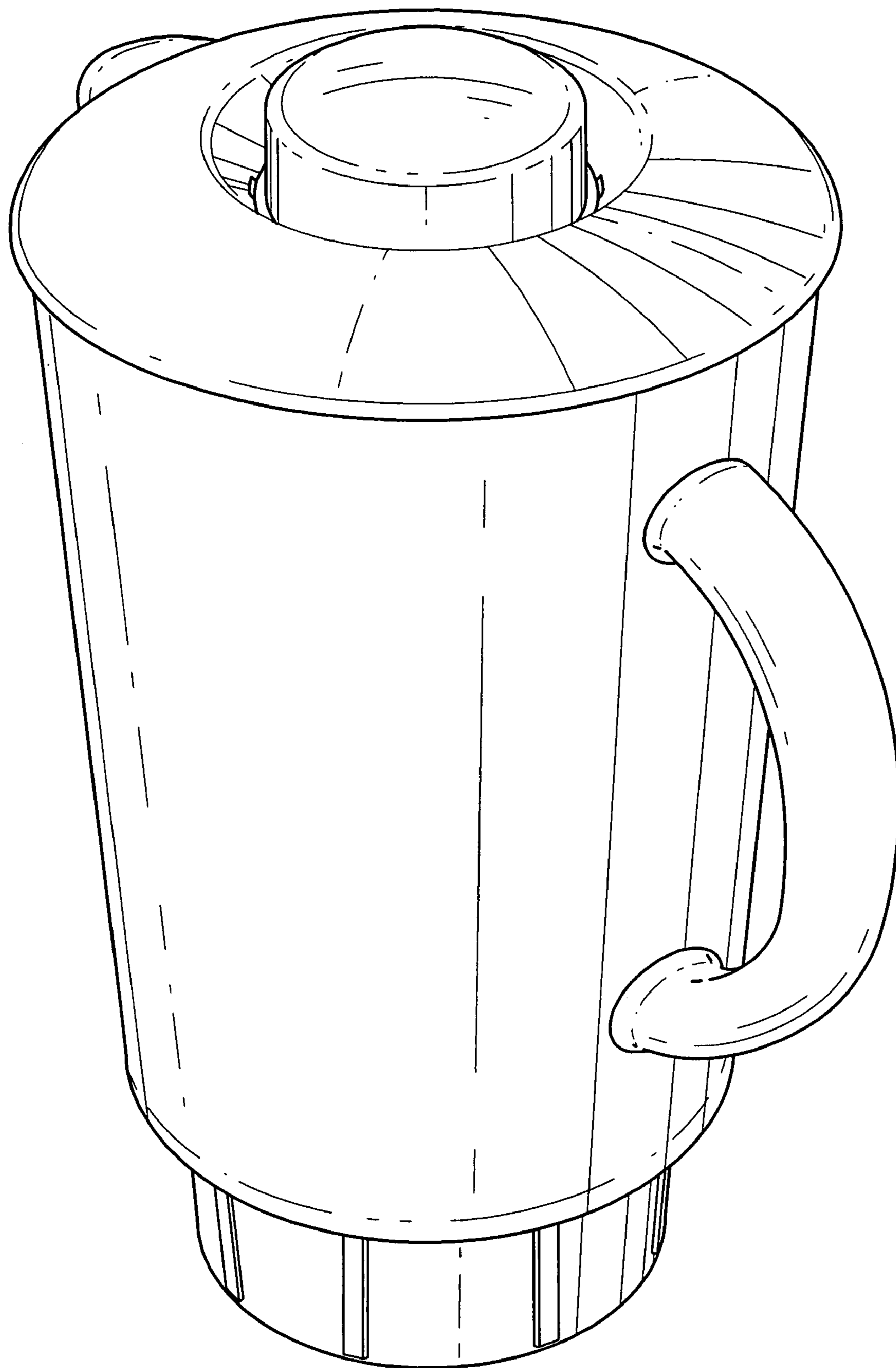


FIG. 9

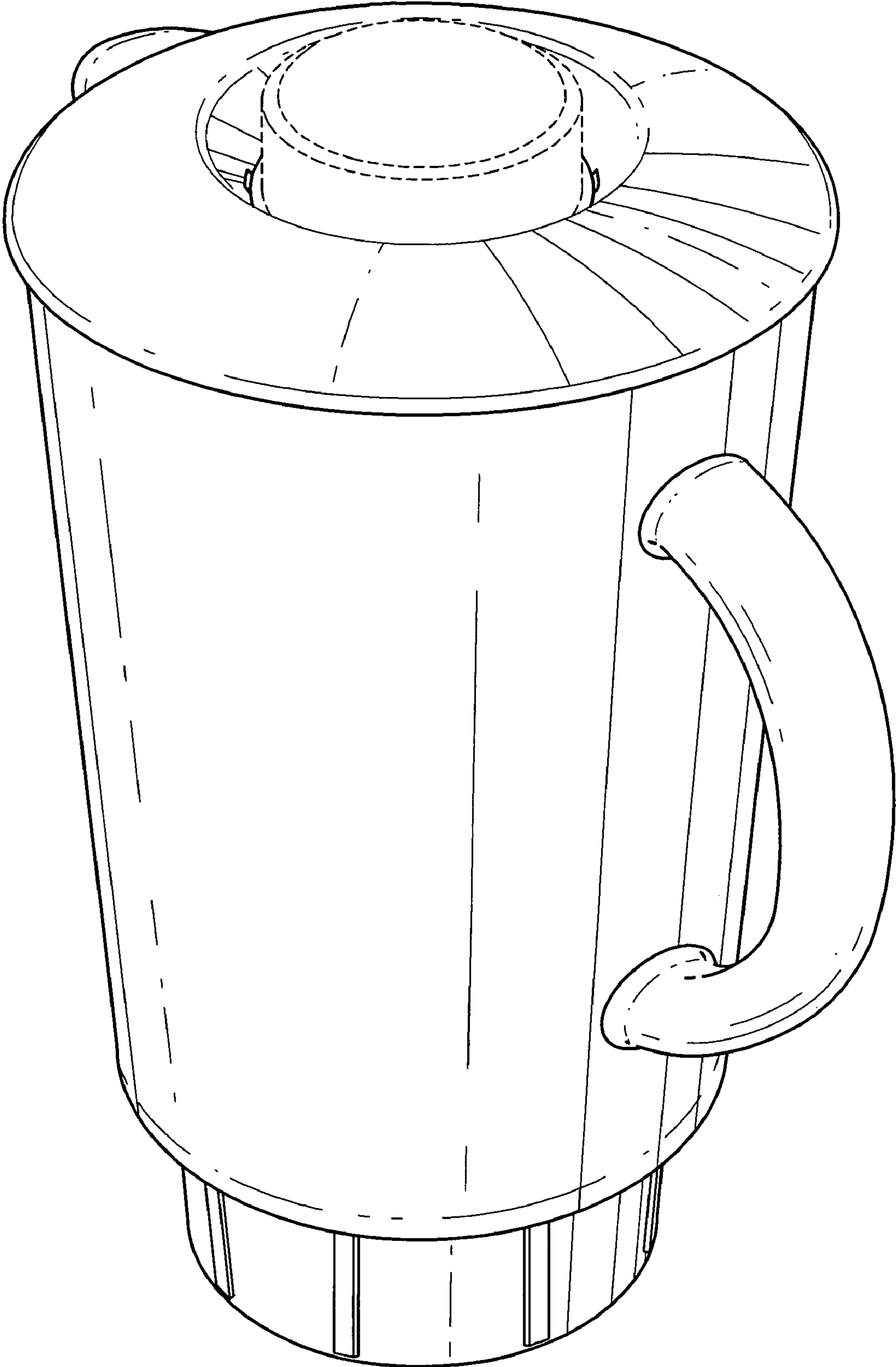


FIG. 10