



US00D563155S

(12) **United States Design Patent**
Wyllie et al.

(10) **Patent No.:** **US D563,155 S**
(45) **Date of Patent:** **** Mar. 4, 2008**

(54) **FOLDABLE LUNCH BOX LINER**

(76) Inventors: **Yvonne Wyllie**, 11 Westmont Drive,
South Penrith (AU) 2750; **Margaret
Van Velzen**, 11 Westmont Drive, South
Penrith (AU) 2750

(**) Term: **14 Years**

(21) Appl. No.: **29/282,546**

(22) Filed: **Jul. 23, 2007**

(51) **LOC (8) Cl.** **07-01**

(52) **U.S. Cl.** **D7/387; D9/433**

(58) **Field of Classification Search** 220/23.9,
220/403, 470, 495.01, 495.03, 529, 495.06,
220/520, 528, 556, 915.1, 218, 223, 541,
220/549; 229/122.3–122.34; D7/306, 313,
D7/387, 409, 524–548, 605, 607, 608, 624.2;
D9/433, 387, 607

See application file for complete search history.

(56) **References Cited**

U.S. PATENT DOCUMENTS

D32,740	S	*	5/1900	Smith	D9/433
711,813	A	*	10/1902	Austin	220/677
1,708,596	A	*	4/1929	Sprague	229/122.32
1,897,570	A	*	2/1933	Bowman et al.	229/5.81
1,941,528	A	*	1/1934	Andrews	229/122.33
2,019,870	A	*	11/1935	Perry	229/114
2,991,898	A	*	7/1961	Fischer et al.	217/3 BC
4,235,346	A	*	11/1980	Liggett	220/7
5,582,028	A	*	12/1996	Rilling et al.	
5,913,443	A	*	6/1999	Matthews-Guest	220/495.03

6,422,032	B1	7/2002	Greene		
6,478,217	B1 *	11/2002	Lombardi et al.	229/122.34
D482,241	S	11/2003	Tyler		
2005/0103043	A1 *	5/2005	McCrary	62/457.2

* cited by examiner

Primary Examiner—Philip S. Hyder
Assistant Examiner—Cynthia Underwood

(57) **CLAIM**

The ornamental design for a foldable lunch box liner, as shown and described.

DESCRIPTION

FIG. 1 is a front elevation view of a foldable lunch box liner showing our new design;

FIG. 2 is a rear elevation view, the dashed lines are used to show the fold area located on the front of our foldable lunch box liner and form no part of the claimed design;

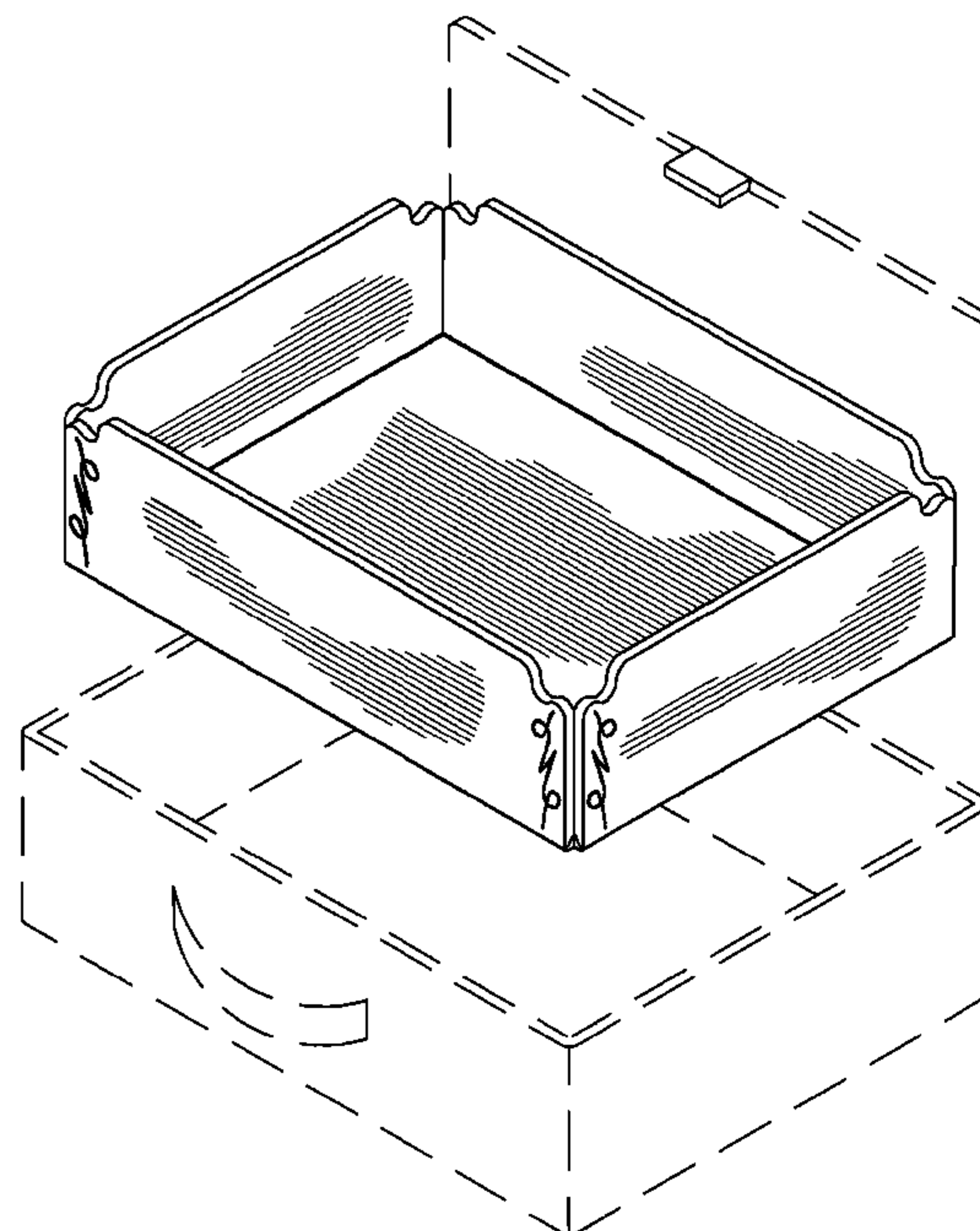
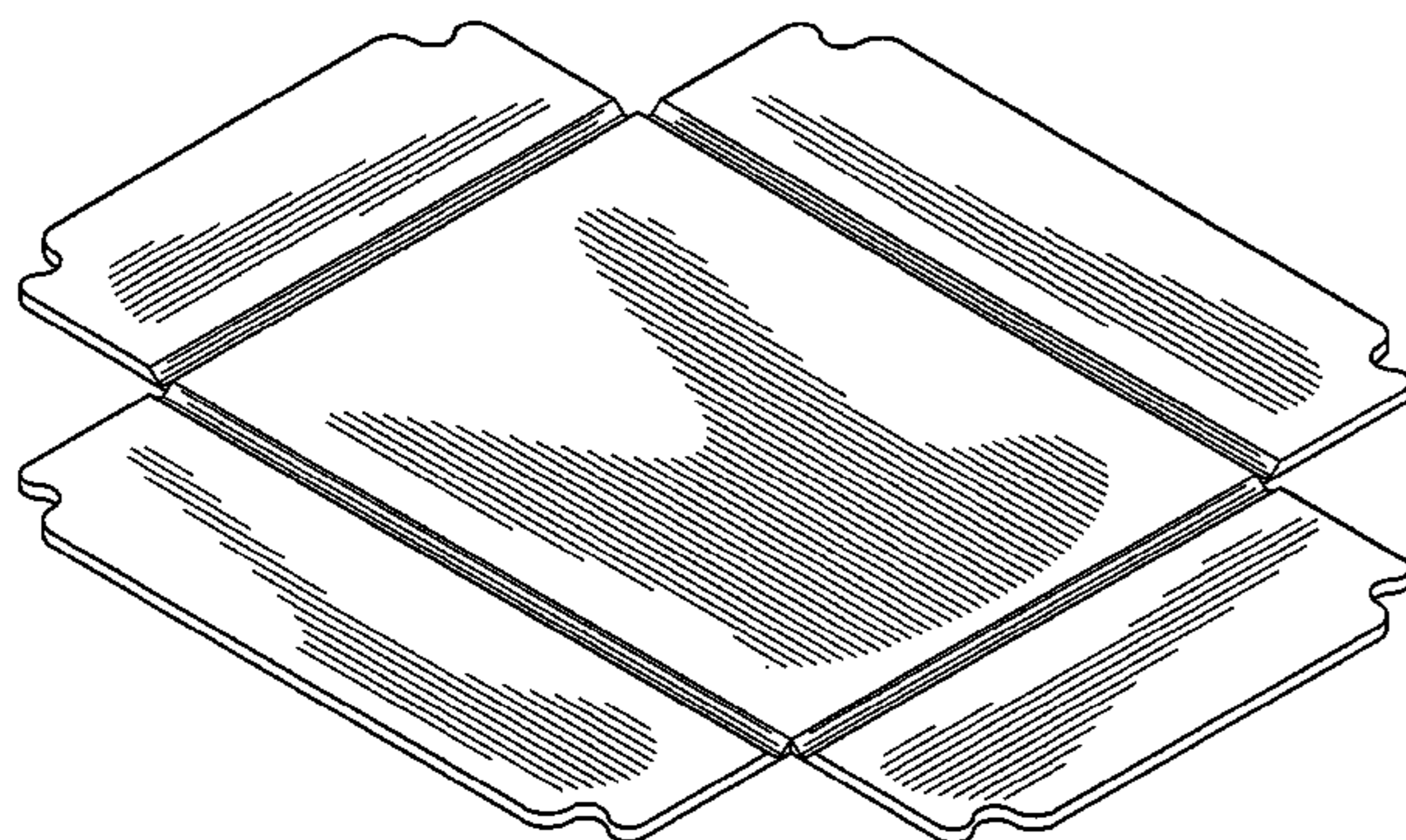
FIG. 3 is a left elevation view the opposite side being the same;

FIG. 4 is a top elevation view the opposite side being the same;

FIG. 5 is an isometric view of a foldable lunch box liner in a flat configuration; and,

FIG. 6 is an isometric view of a foldable lunch box liner in a folded configuration showing our new design. The broken lines representing an exemplary lunch box are for illustrative purposes only and form no part of the claimed design.

1 Claim, 4 Drawing Sheets



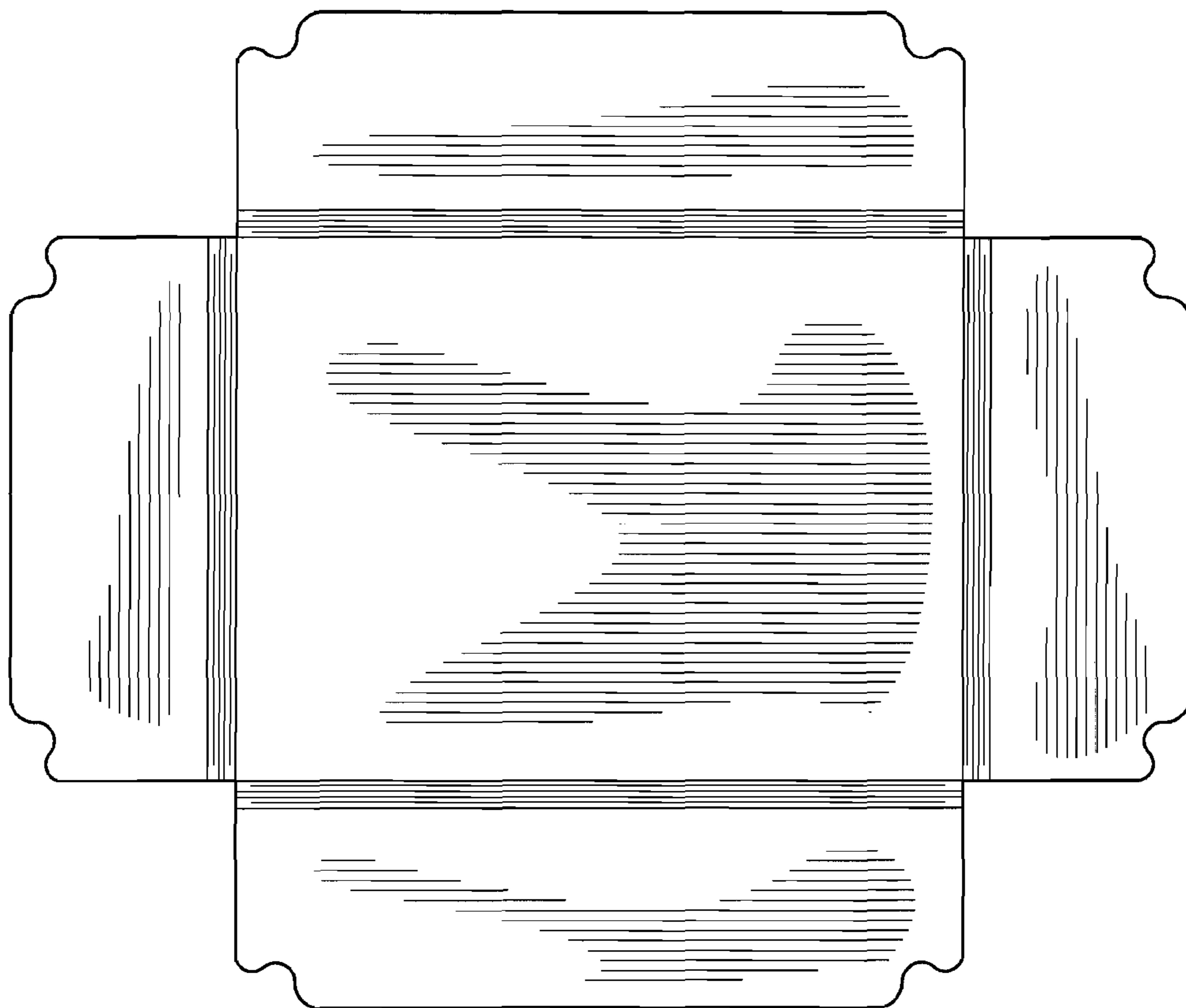


FIG. 1

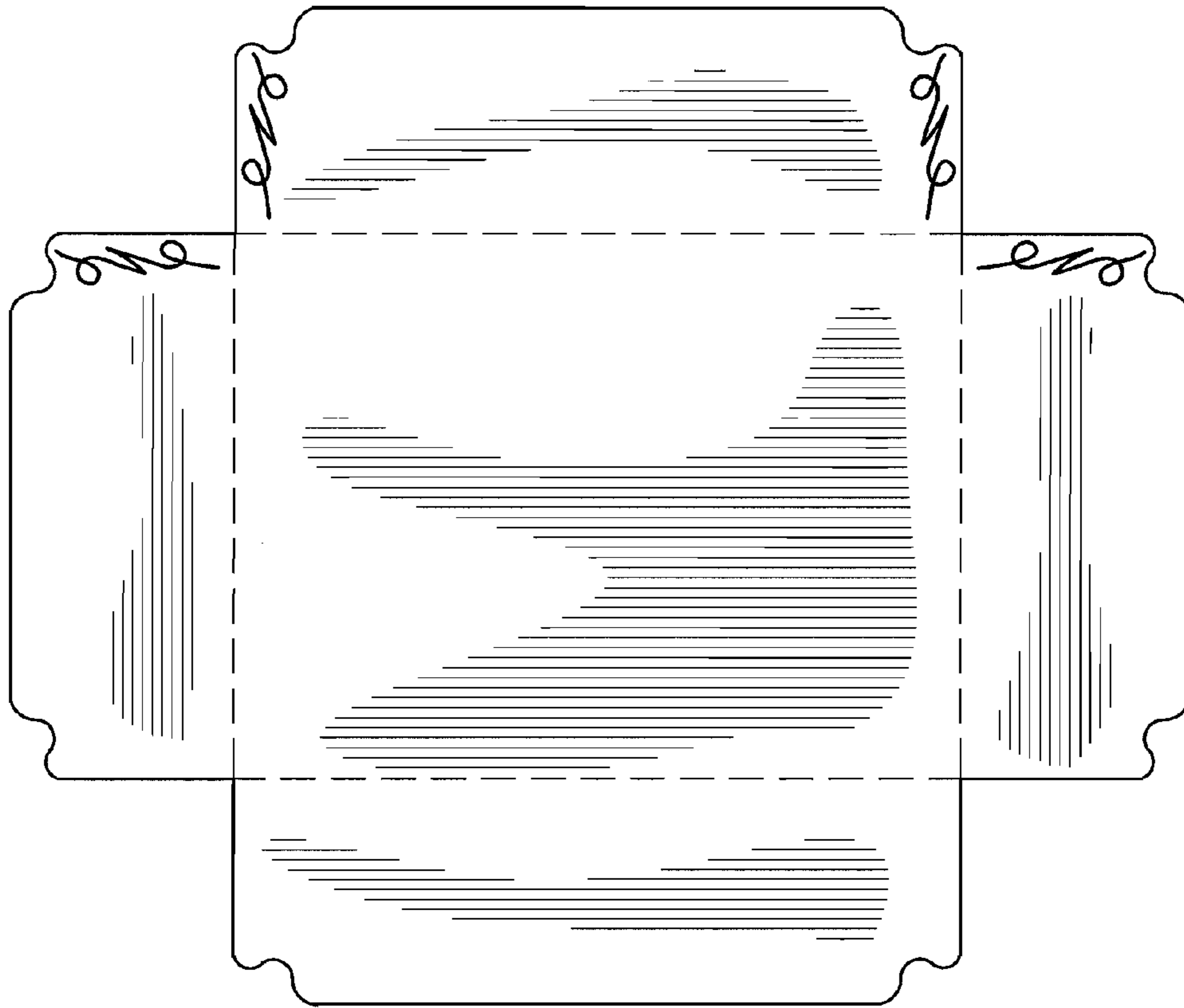


FIG. 2

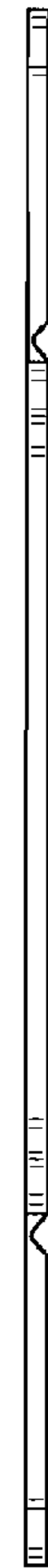


FIG. 3

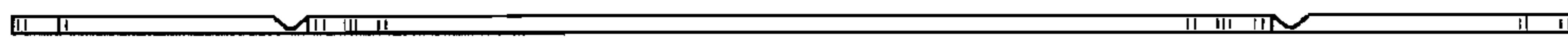


FIG. 4

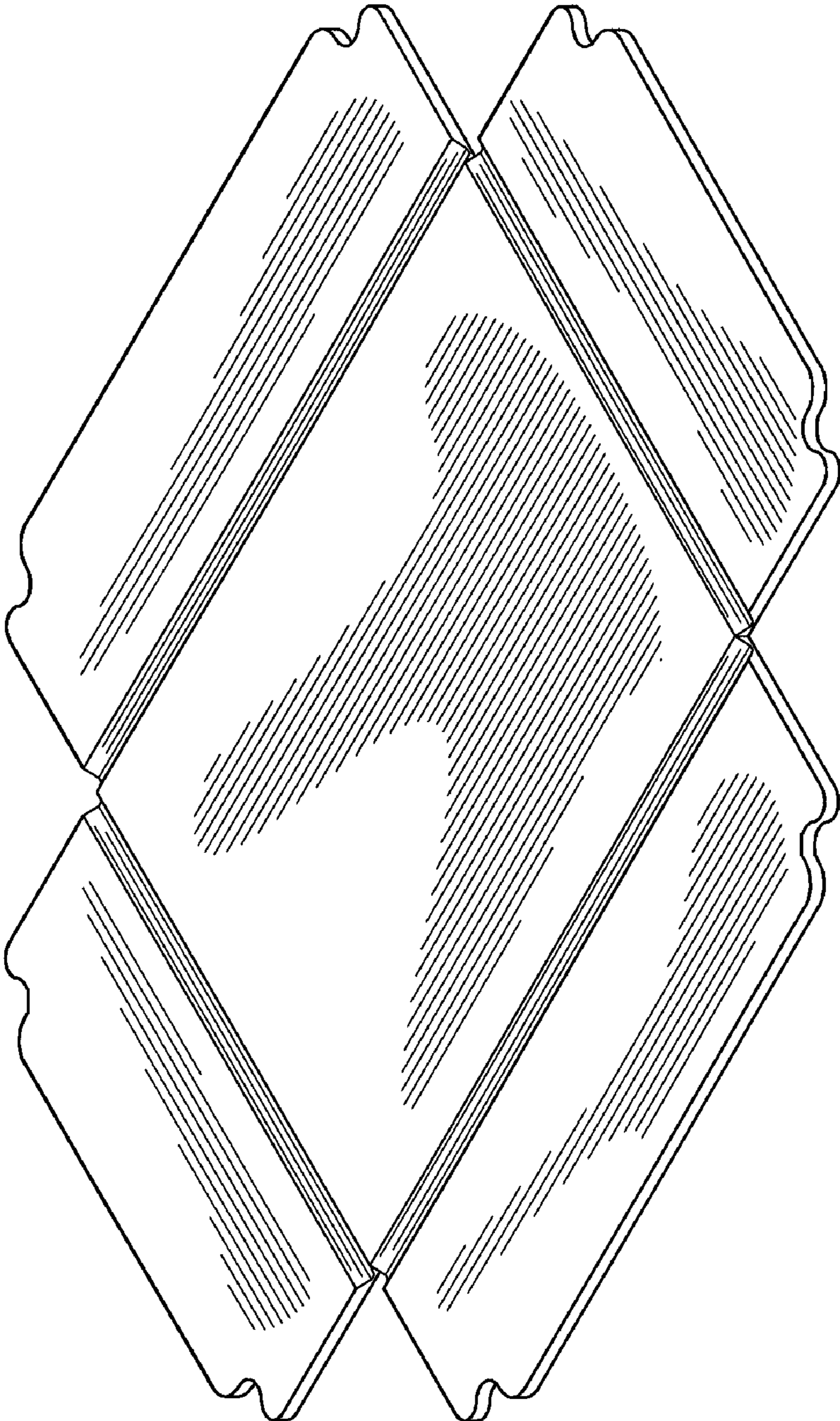


FIG. 5

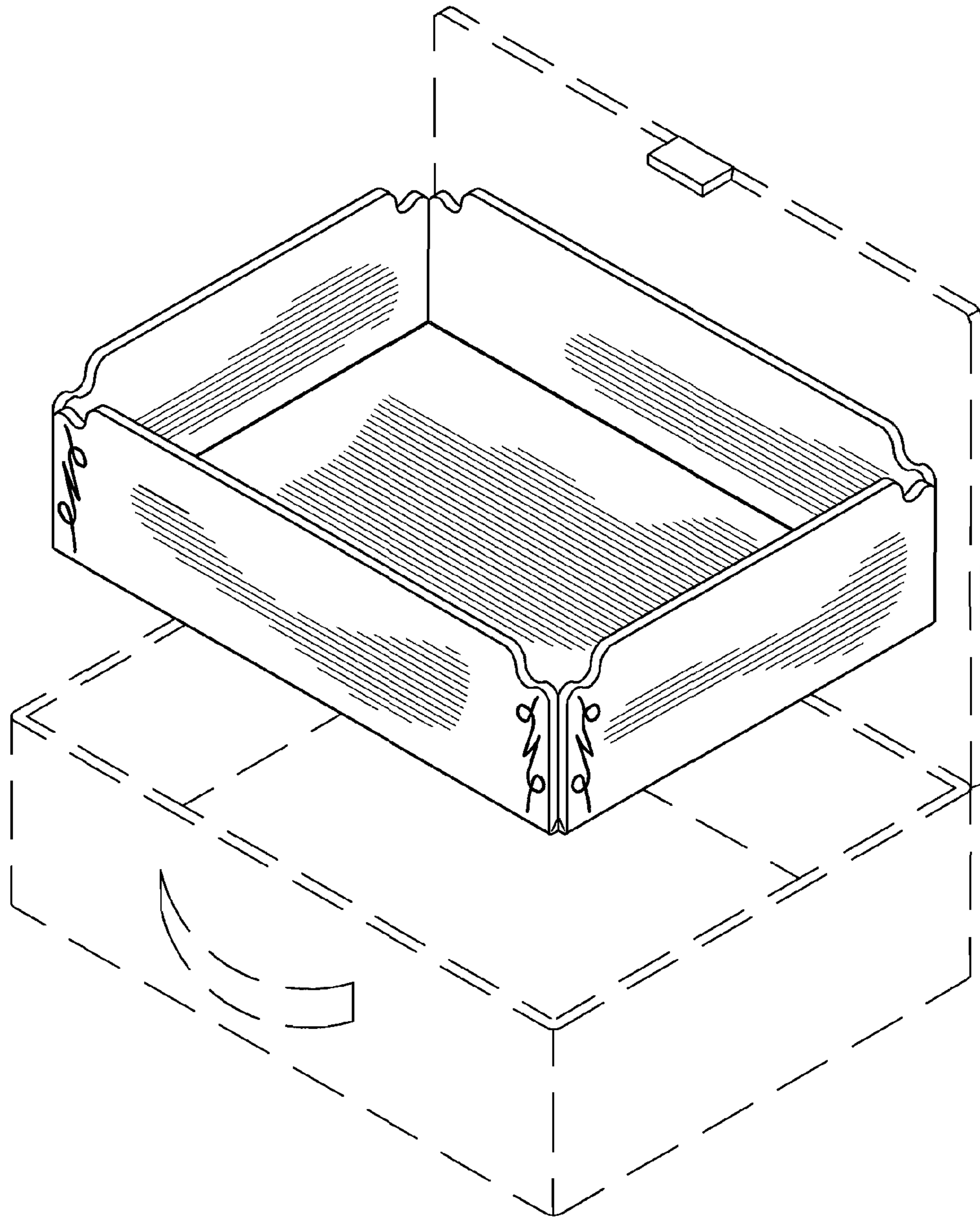


FIG. 6