



US00D563154S

(12) **United States Design Patent**
Comstock et al.

(10) **Patent No.:** **US D563,154 S**
(45) **Date of Patent:** **** Mar. 4, 2008**

(54) **BLENDER WITH A DISPENSER**
(75) Inventors: **Scott Patrick Comstock**, LaCanada,
CA (US); **Kurt Joseph Comstock**,
Sylmar, CA (US)
(73) Assignee: **The Helman Group, Ltd**, Oxnard, CA
(US)

D412,809 S * 8/1999 Toro et al. D7/378
D463,194 S * 9/2002 Busick et al. D7/313
D468,389 S * 1/2003 Israel et al. D22/122
D474,065 S * 5/2003 Daniels, Jr. D7/378
D504,277 S * 4/2005 Hei D7/378
D520,808 S * 5/2006 Beesley et al. D7/378
D534,394 S * 1/2007 Zhiwen et al. D7/378
2003/0099154 A1* 5/2003 Daniels, Jr. 366/191
2005/0018534 A1* 1/2005 Nikkah 366/205

(**) Term: **14 Years**
(21) Appl. No.: **29/263,685**
(22) Filed: **Jul. 26, 2006**

* cited by examiner
Primary Examiner—Cathron C. Brooks
Assistant Examiner—Ricky Pham
(74) *Attorney, Agent, or Firm*—Lewis Anten; Ying Chen

(51) **LOC (8) Cl.** **31-00**
(52) **U.S. Cl.** **D7/378**
(58) **Field of Classification Search** D7/300.1,
D7/313, 372–386, 412, 413, 665; D14/413;
74/16; 99/509–511; 241/30, 33, 37.5, 101.01–101.02,
241/166–169.1, 274–278.2, 282.1–282.2,
241/285.1–285.3, 291, 292.1, 301; 366/64–67,
366/98, 100, 129, 191, 197–201, 205–207,
366/219–221, 241–254, 279–292, 325.94,
366/330.4, 341–343; D22/122
See application file for complete search history.

(57) **CLAIM**

The ornamental design for a blender with a dispenser, as shown.

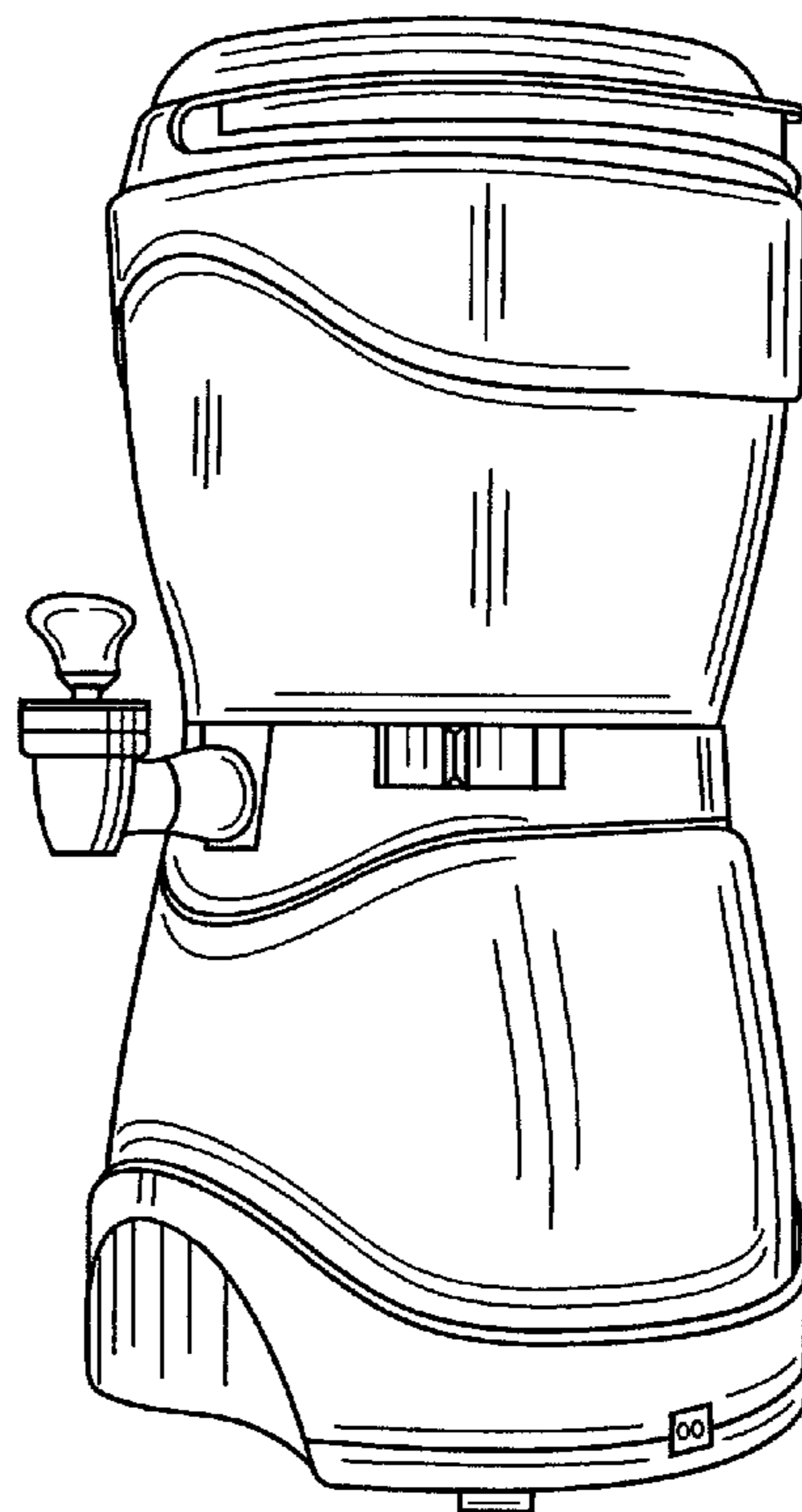
DESCRIPTION

FIG. 1 is a front and right side perspective view of a blender with a dispenser showing our new design;
FIG. 2 is a front elevational view thereof;
FIG. 3 is a rear elevational view thereof;
FIG. 4 is a right side elevational view thereof.
FIG. 5 is a left side elevational view thereof;
FIG. 6 is a top plan view thereof; and,
FIG. 7 is a bottom plan view thereof.

(56) **References Cited**
U.S. PATENT DOCUMENTS

D164,941 S * 10/1951 Nevell D7/313
D199,888 S * 12/1964 Dewenter D7/378
D204,924 S * 5/1966 Di Sesa D7/378
D403,202 S * 12/1998 Cousins D7/378

1 Claim, 7 Drawing Sheets



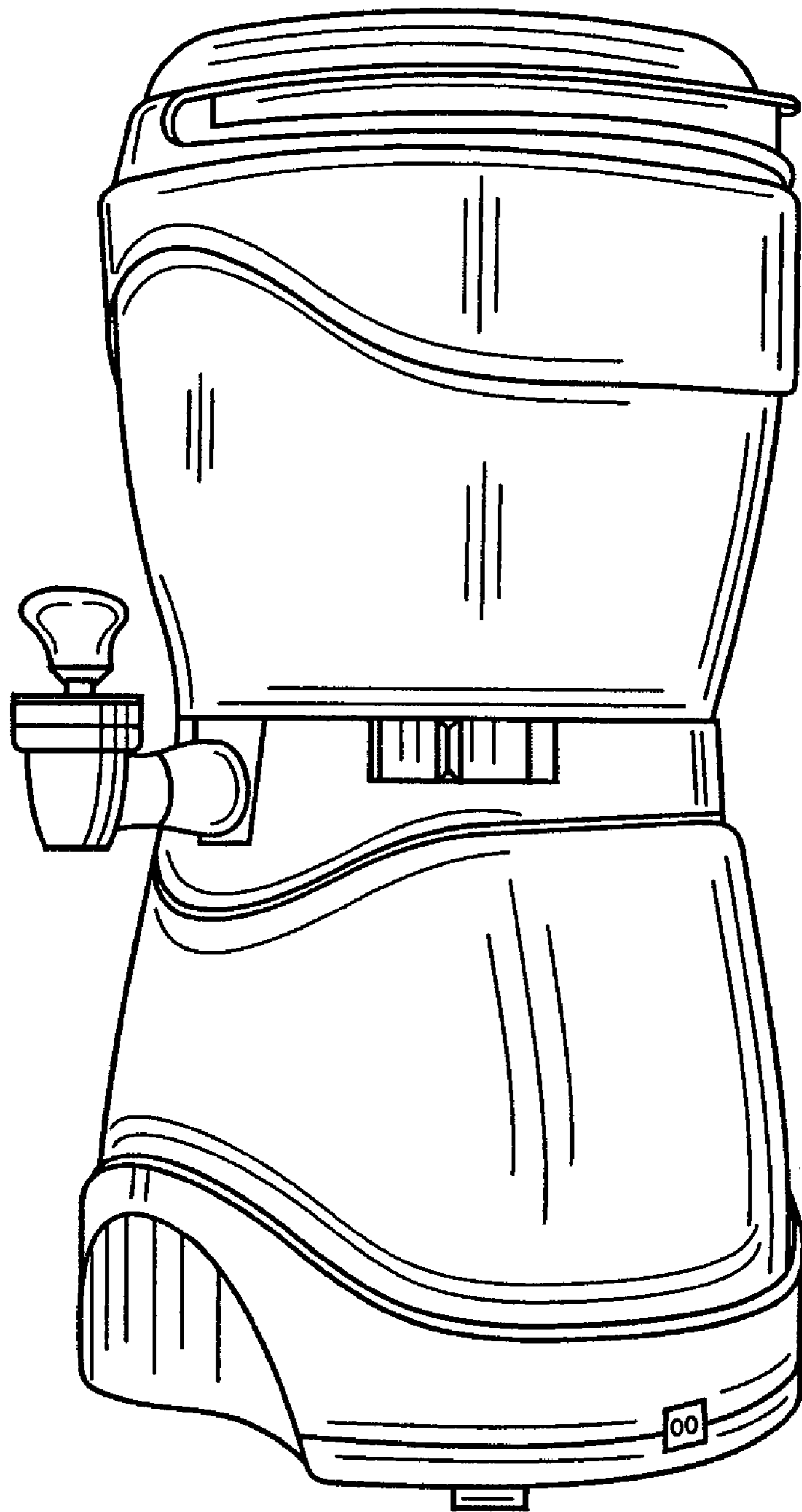


FIG. 1

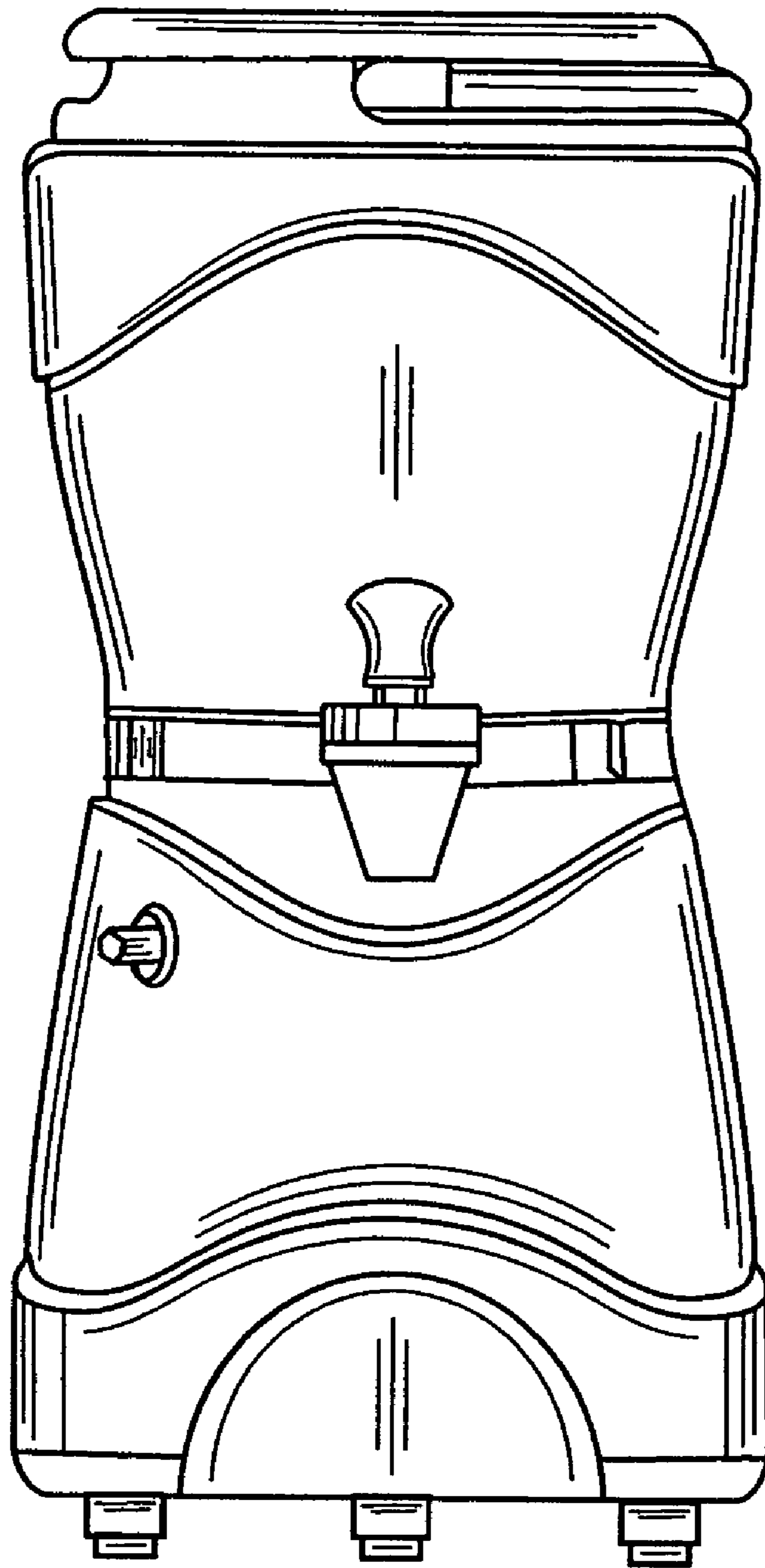


FIG. 2

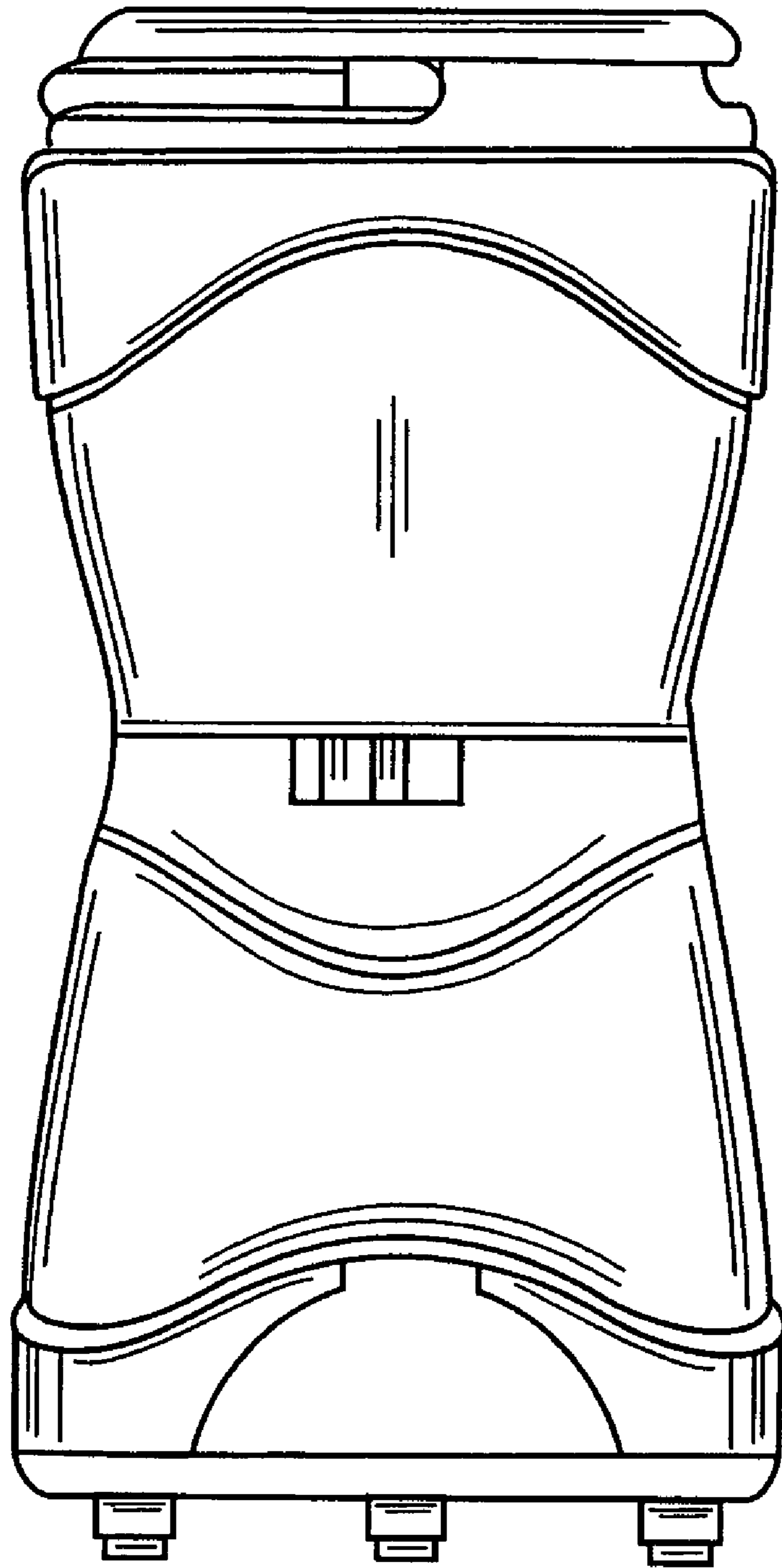


FIG. 3

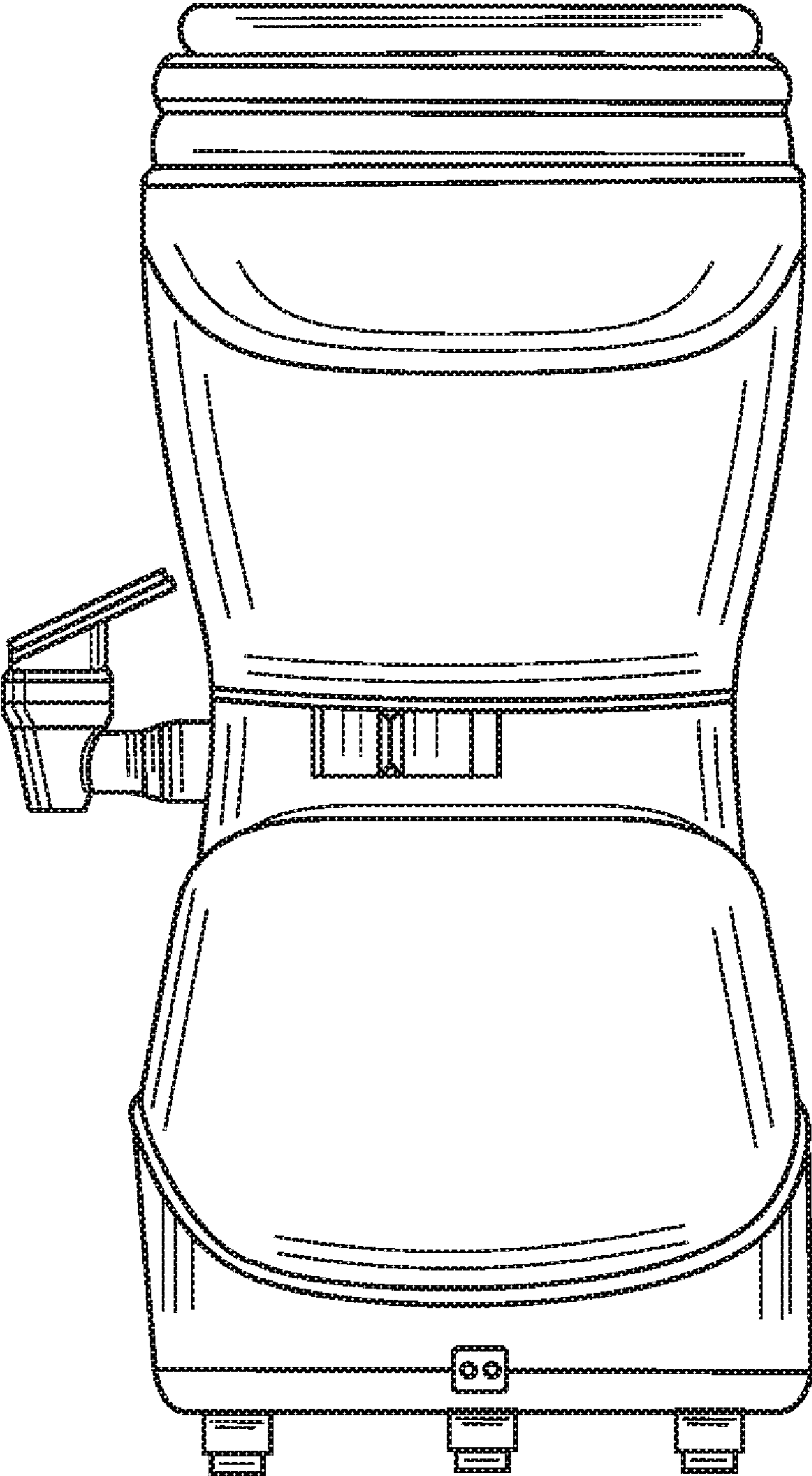


FIG. 4

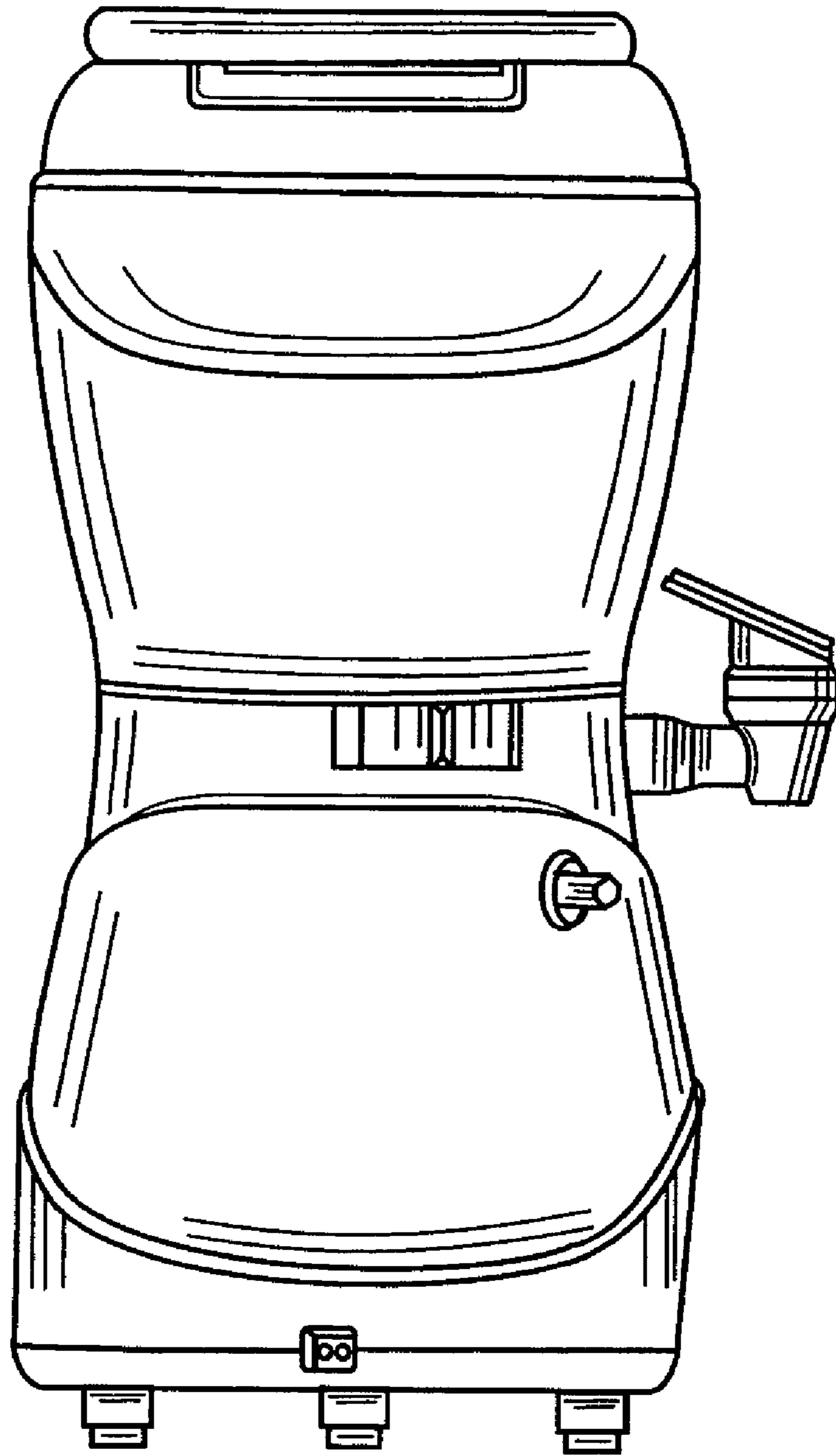


FIG. 5

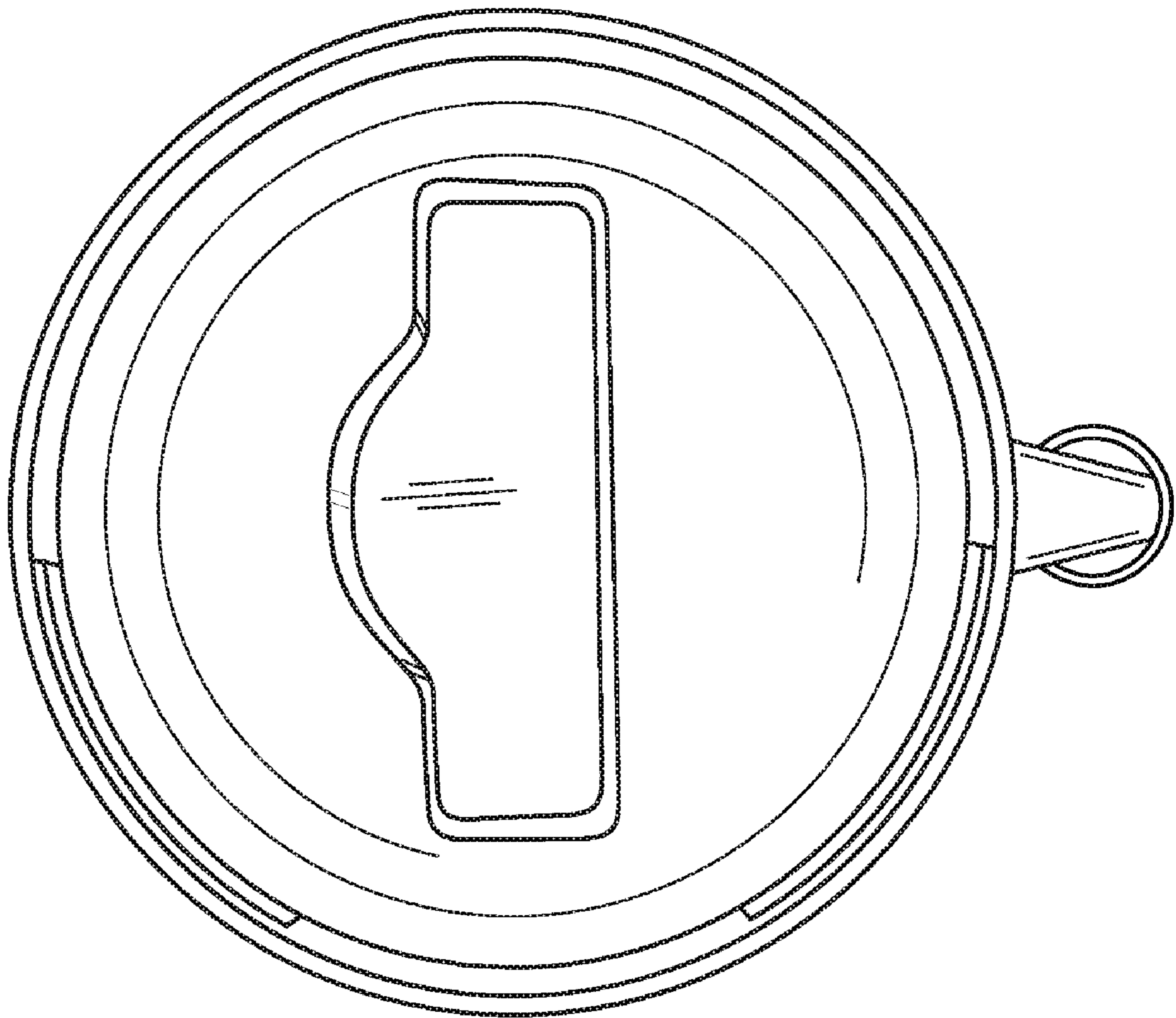


FIG. 6

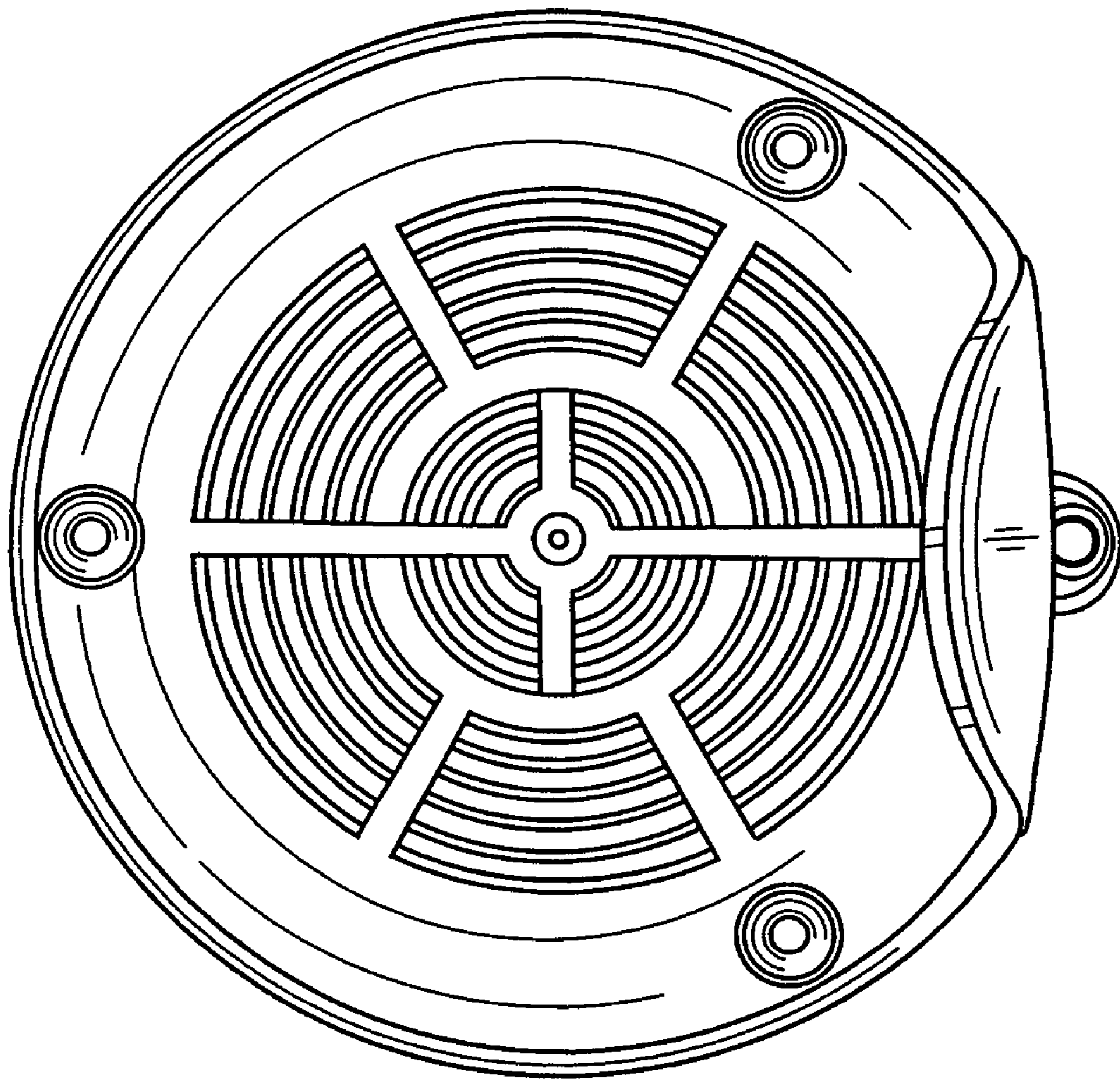


FIG. 7