

US00D563151S

(12) **United States Design Patent**
Henry

(10) **Patent No.:** **US D563,151 S**

(45) **Date of Patent:** **** Mar. 4, 2008**

(54) **FISH THEMED BARBECUE GRILL**

D440,525 S * 4/2001 Robinson D11/134
D442,421 S * 5/2001 Cragg D7/332

(75) Inventor: **Lowell M. Henry**, Redondo Beach, CA (US)

* cited by examiner

(73) Assignee: **AJML Company, LLC**, Redondo Beach, CA (US)

Primary Examiner—Ruth McInroy
(74) *Attorney, Agent, or Firm*—Gallagher & Dawsey Co. LPA; David J. Dawsey; Michael J. Gallagher

(**) Term: **14 Years**

(57) **CLAIM**

(21) Appl. No.: **29/266,373**

I claim the design for a fish themed barbecue grill, as shown and described.

(22) Filed: **Sep. 19, 2006**

(51) **LOC (8) Cl.** **07-02**

(52) **U.S. Cl.** **D7/334**

(58) **Field of Classification Search** D7/332,
D7/334-337, 402-404; D21/599; D11/158;
446/153; 126/25 R, 25 A, 25 AA, 37 R,
126/38, 41 R, 40, 39 B, 268, 276, 9 R; 99/449,
99/481, 482

See application file for complete search history.

DESCRIPTION

FIG. 1 is a left side isometric view of a fish themed barbecue grill showing my new design;

FIG. 2 is a left side elevation view thereof;

FIG. 3 is a right side elevation view thereof;

FIG. 4 is a top plan view thereof;

FIG. 5 is a bottom plan view thereof;

FIG. 6 is a front elevation view thereof; and,

FIG. 7 is a rear elevation view thereof.

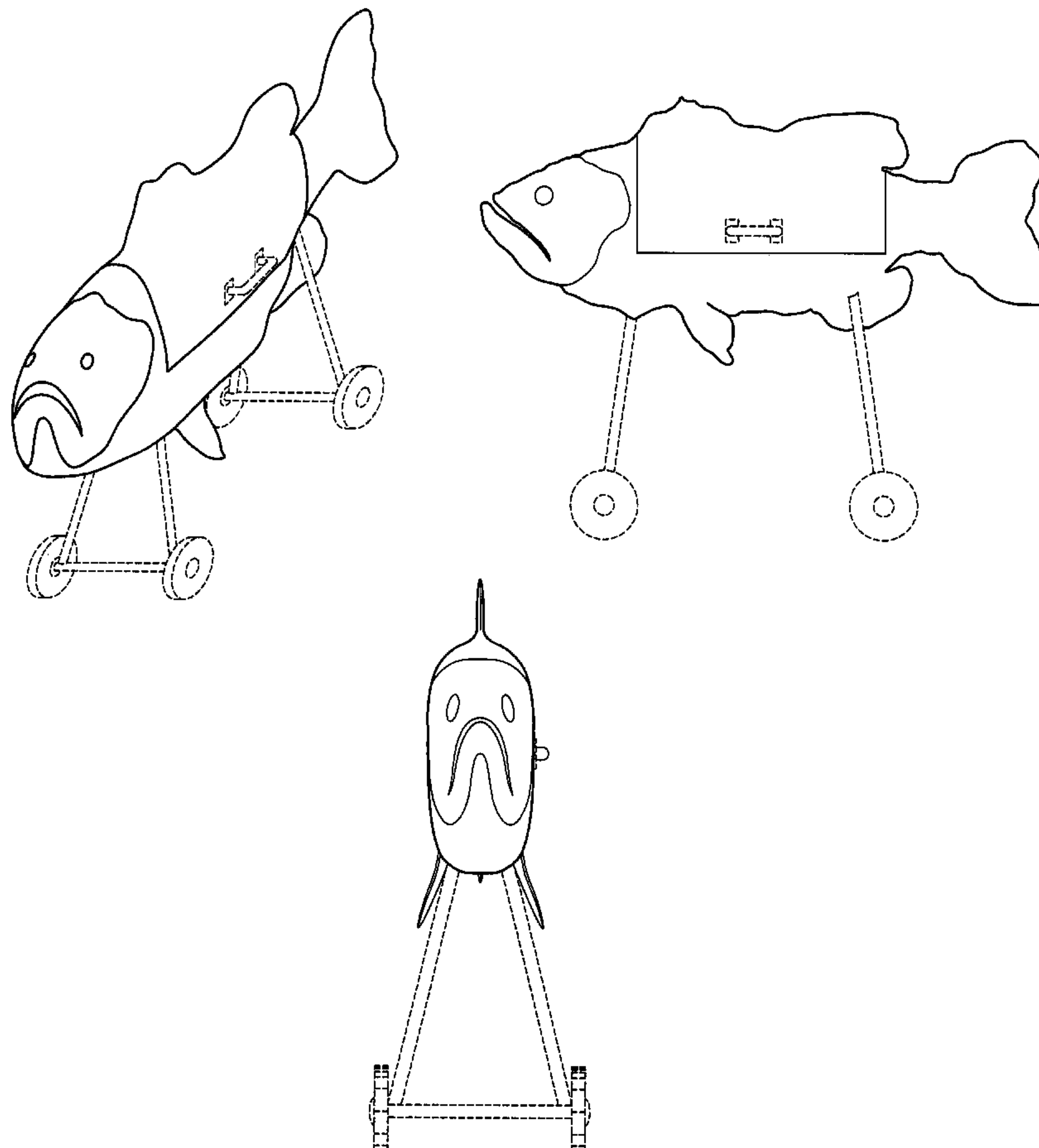
The broken lines are for illustrative purposes only and form no part of the claimed design.

(56) **References Cited**

U.S. PATENT DOCUMENTS

D263,440 S * 3/1982 Feild D7/332
D370,823 S * 6/1996 Traeger et al. D7/332
D425,752 S * 5/2000 Ethridge D7/402

1 Claim, 5 Drawing Sheets



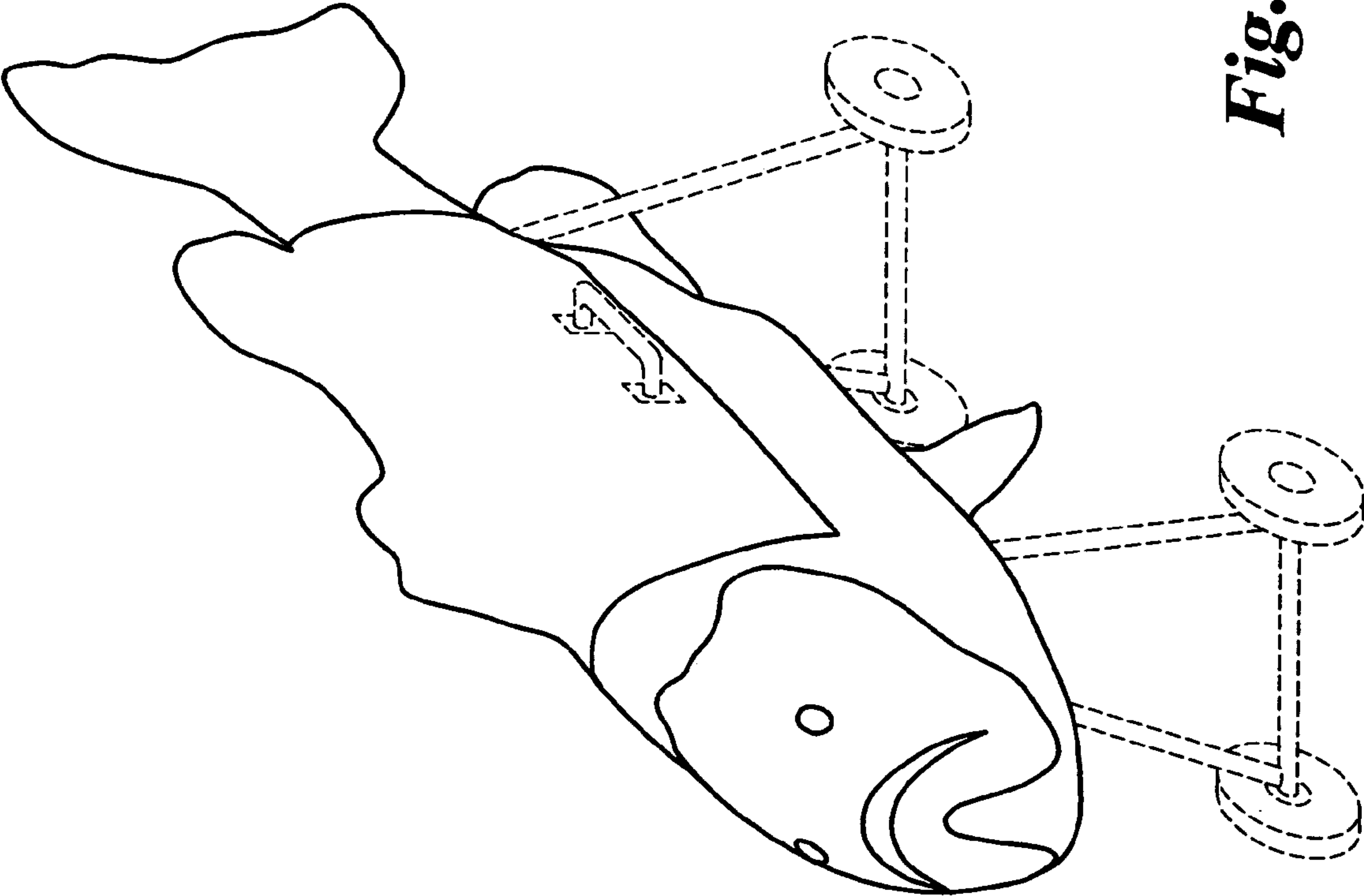


Fig. 1

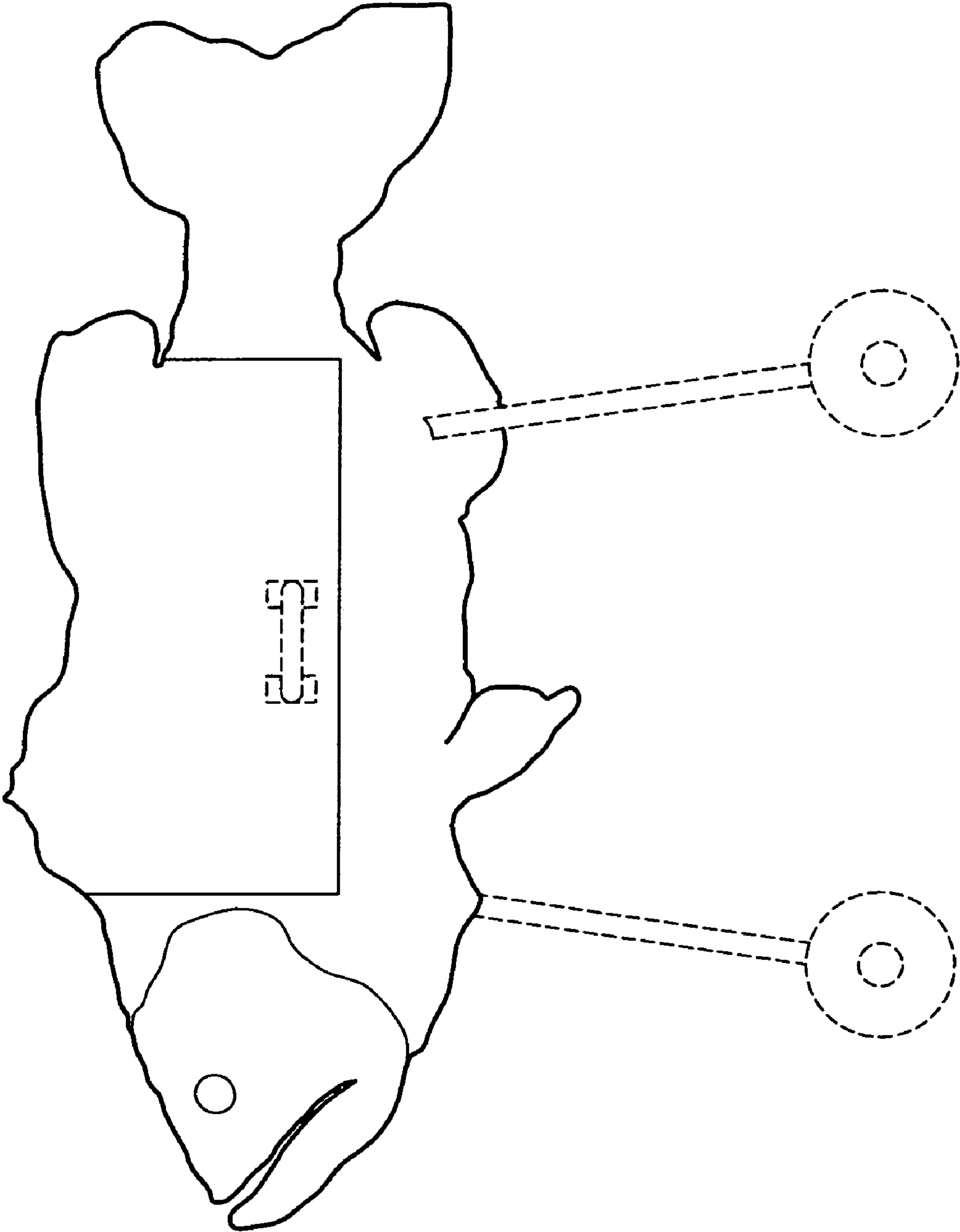


Fig. 2

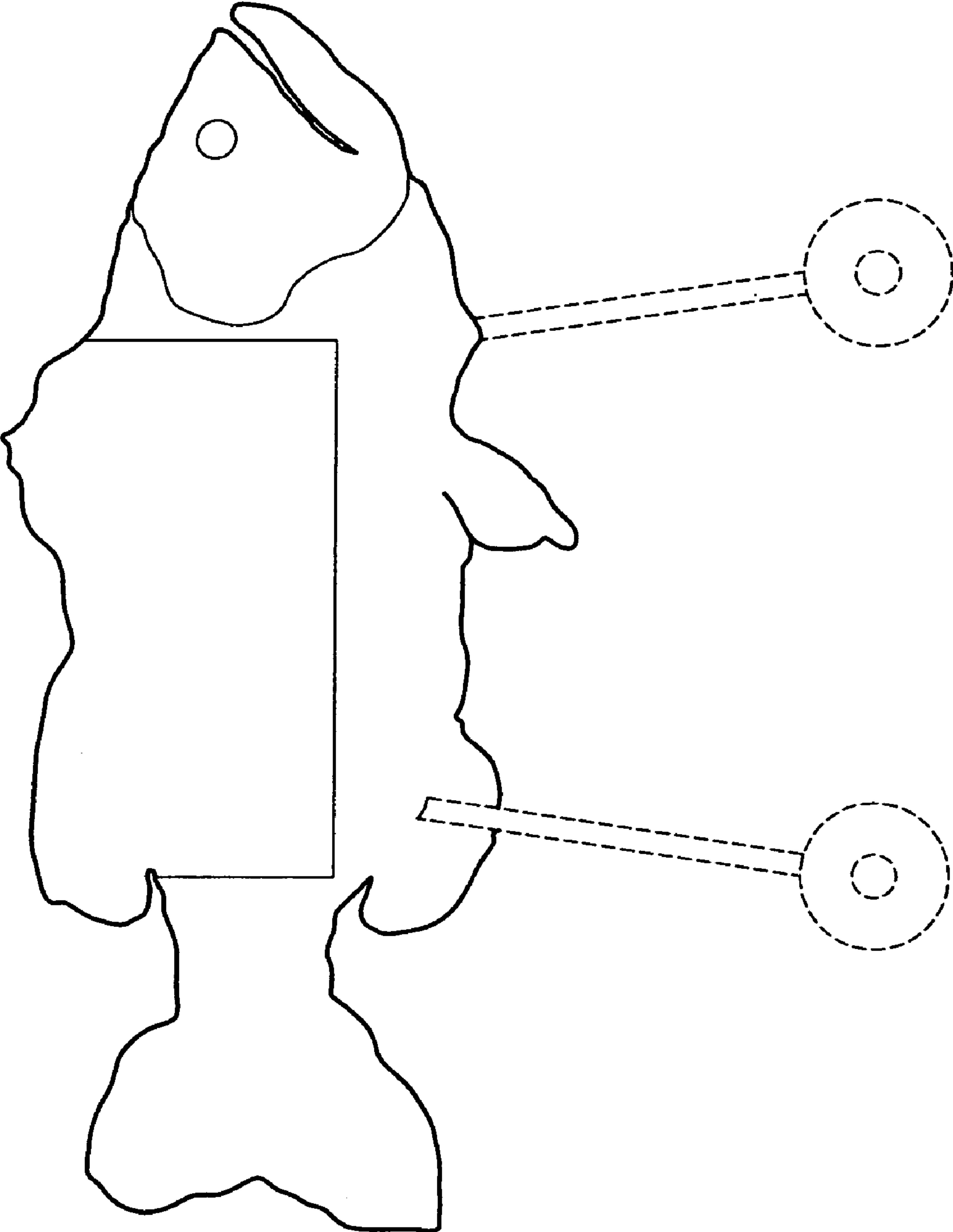


Fig. 3

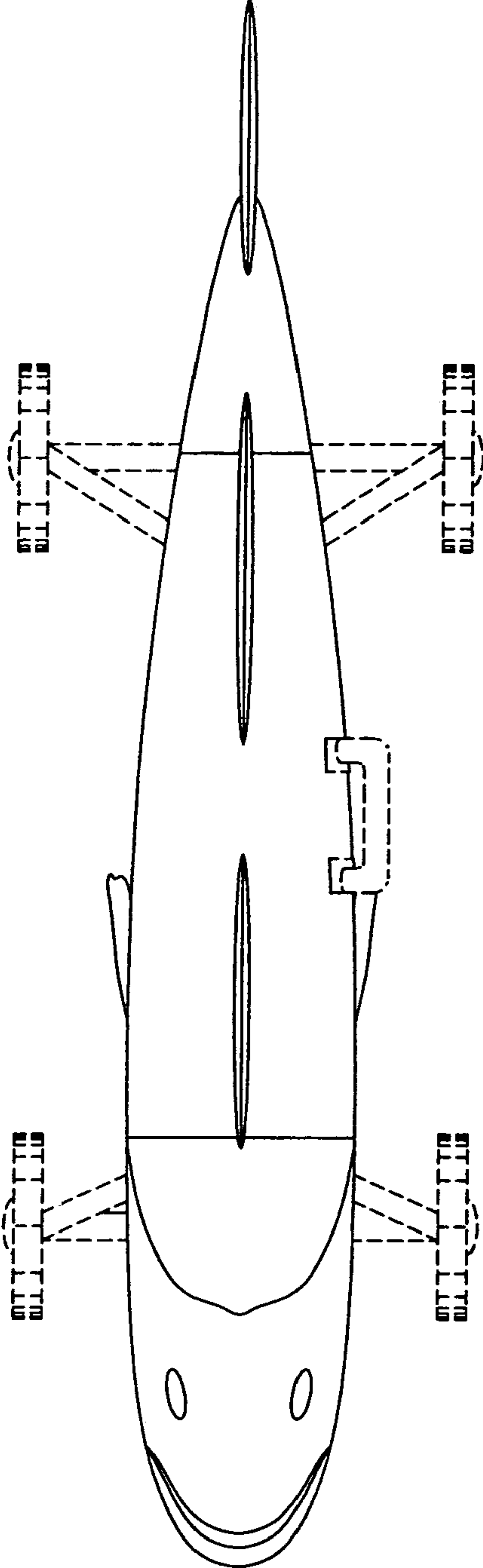


Fig. 4

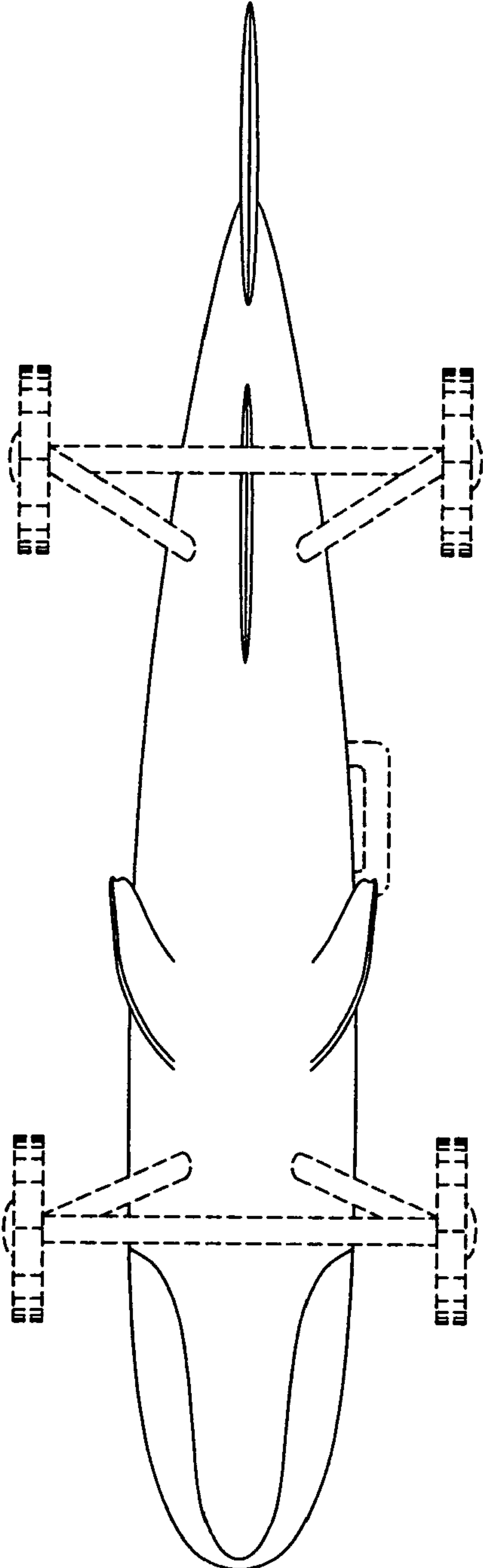


Fig. 5

