

US00D563149S

(12) **United States Design Patent**
Henry

(10) **Patent No.:** **US D563,149 S**
(45) **Date of Patent:** **** Mar. 4, 2008**

(54) **SOCCER BALL THEMED BARBECUE GRILL**

(75) Inventor: **Lowell M. Henry**, Redondo Beach, CA (US)

(73) Assignee: **AJML Company, LLC**, Redondo Beach, CA (US)

(**) Term: **14 Years**

(21) Appl. No.: **29/261,356**

(22) Filed: **Jun. 13, 2006**

(51) **LOC (8) Cl.** **07-02**

(52) **U.S. Cl.** **D7/334**

(58) **Field of Classification Search** D7/332,
D7/334-337, 402-404; D21/707, 713-714;
473/598; 446/153; 126/25 R, 25 A, 25 AA,
126/37 R, 38, 41 R, 40, 39 B, 268, 276,
126/9 R; 99/449, 481.482

See application file for complete search history.

(56) **References Cited**

U.S. PATENT DOCUMENTS

4,339,062 A * 7/1982 Witt, Jr. 224/148.4
D416,770 S * 11/1999 Thorpe D7/710
D431,155 S * 9/2000 Cragg D7/402

D432,862 S * 10/2000 Cragg D7/402
D433,874 S * 11/2000 Cragg D7/402
D466,360 S * 12/2002 Favela D7/334
D497,078 S * 10/2004 Ethridge D7/402

* cited by examiner

Primary Examiner—Ruth McInroy

(74) *Attorney, Agent, or Firm*—Gallagher & Dawsey Co. LPA; David J. Dawsey; Michael J. Gallagher

(57) **CLAIM**

I claim the ornamental design for a soccer ball themed barbecue grill, as shown and described.

DESCRIPTION

FIG. 1 is a left side isometric view of a soccer ball themed barbecue grill showing my new design;

FIG. 2 is a rear elevation view thereof;

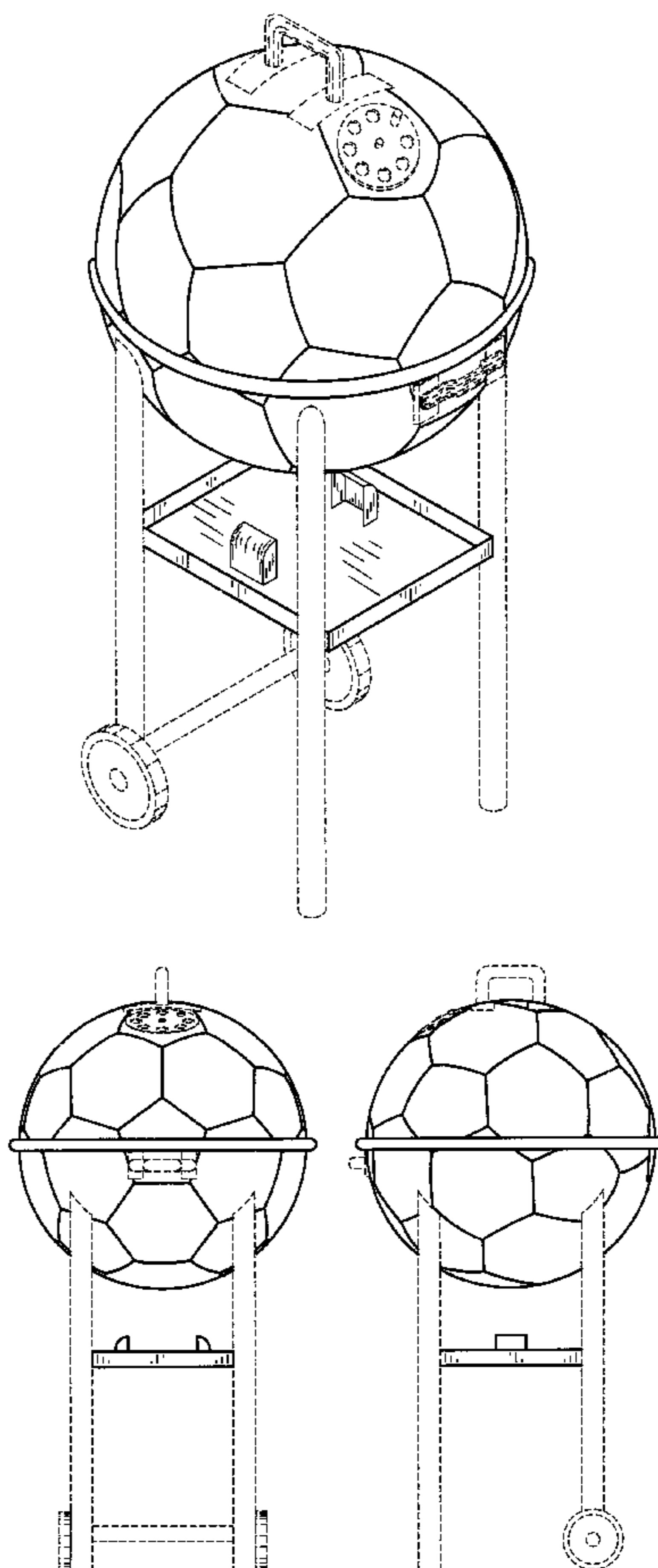
FIG. 3 is a left side elevation view thereof;

FIG. 4 is a top plan view thereof; and,

FIG. 5 is a bottom plan view thereof.

The broken lines are for illustrative purposes only and form no part of the claimed design.

1 Claim, 3 Drawing Sheets



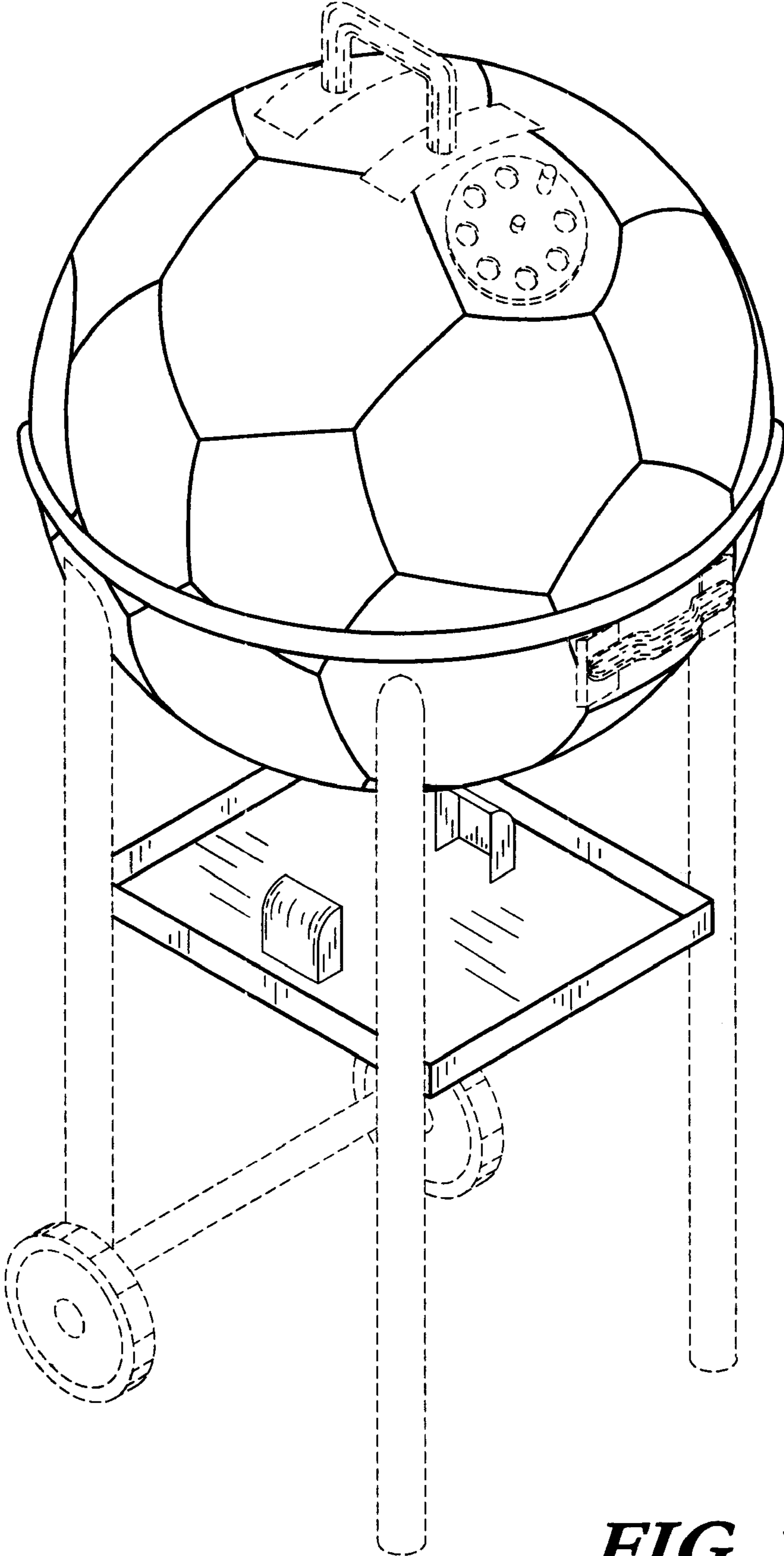


FIG. 1

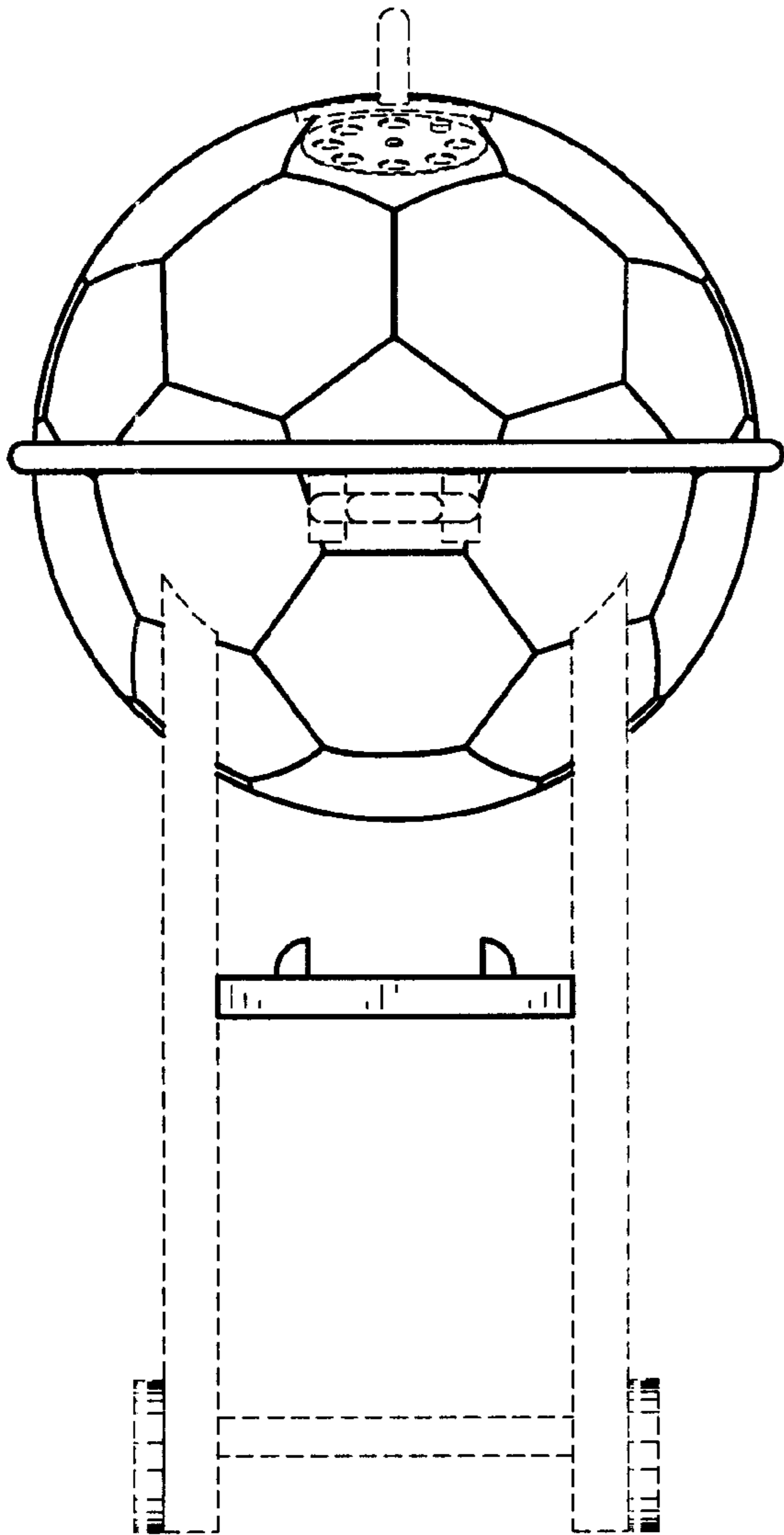


FIG. 2

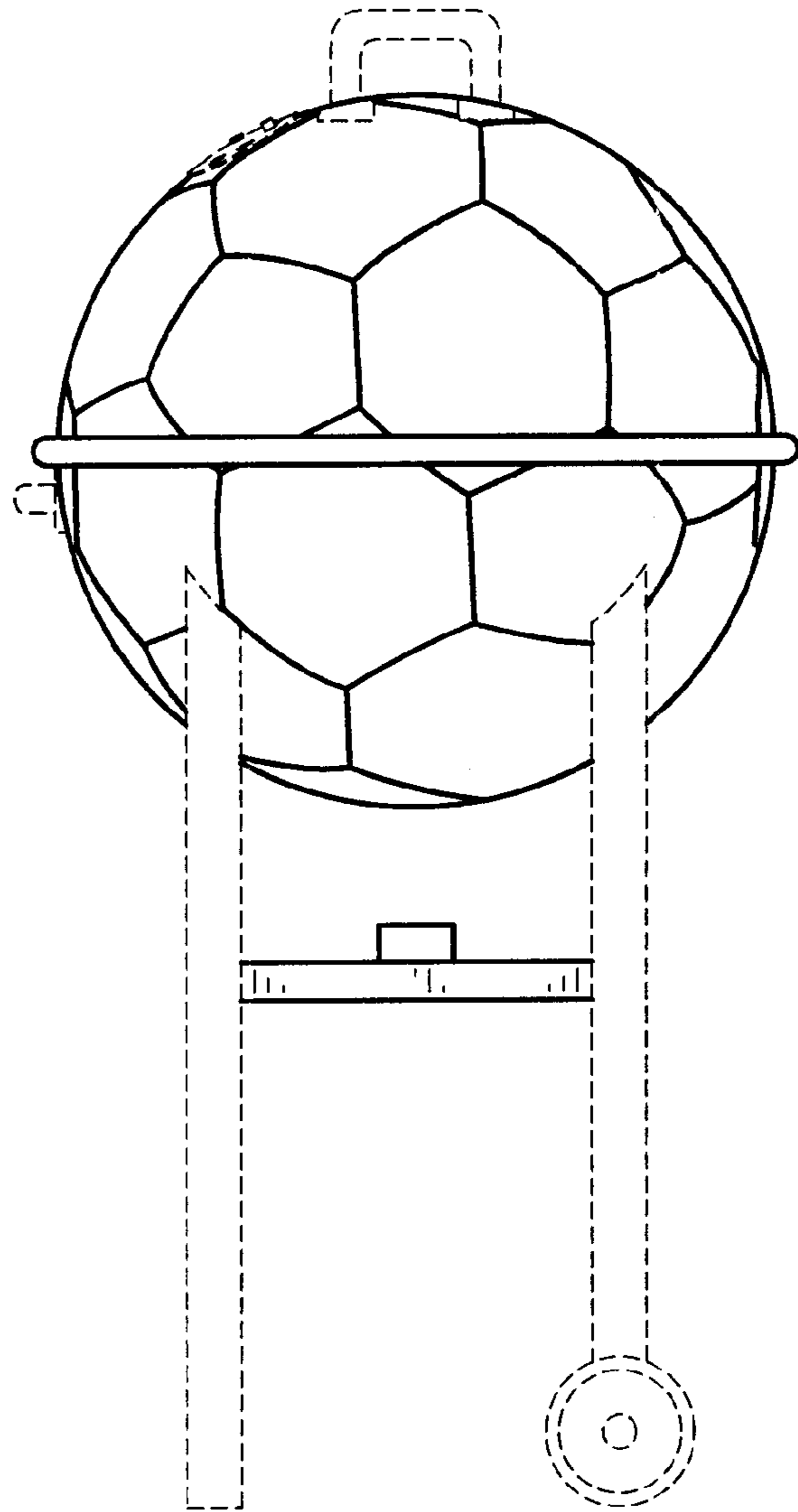


FIG. 3

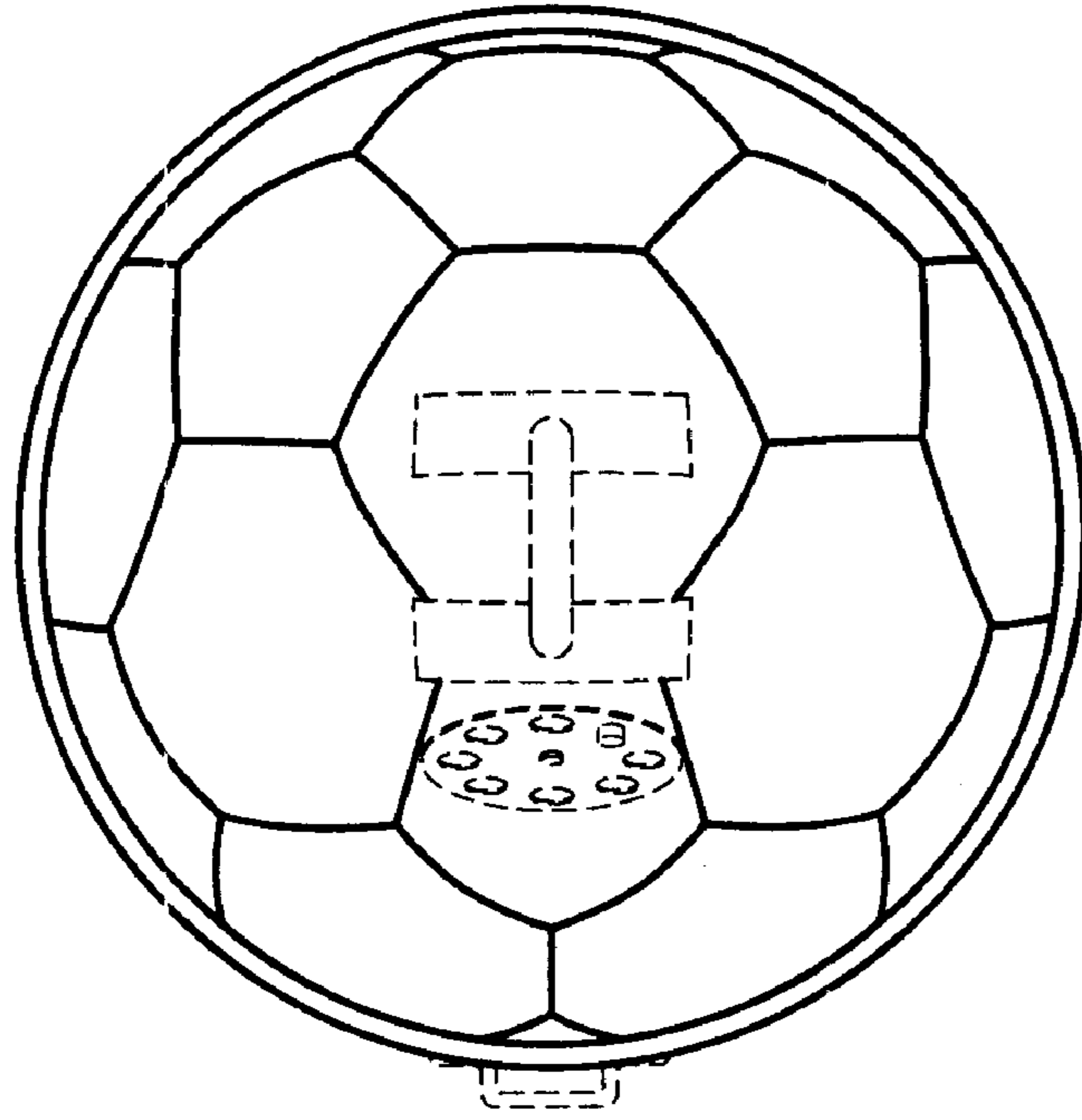


FIG. 4

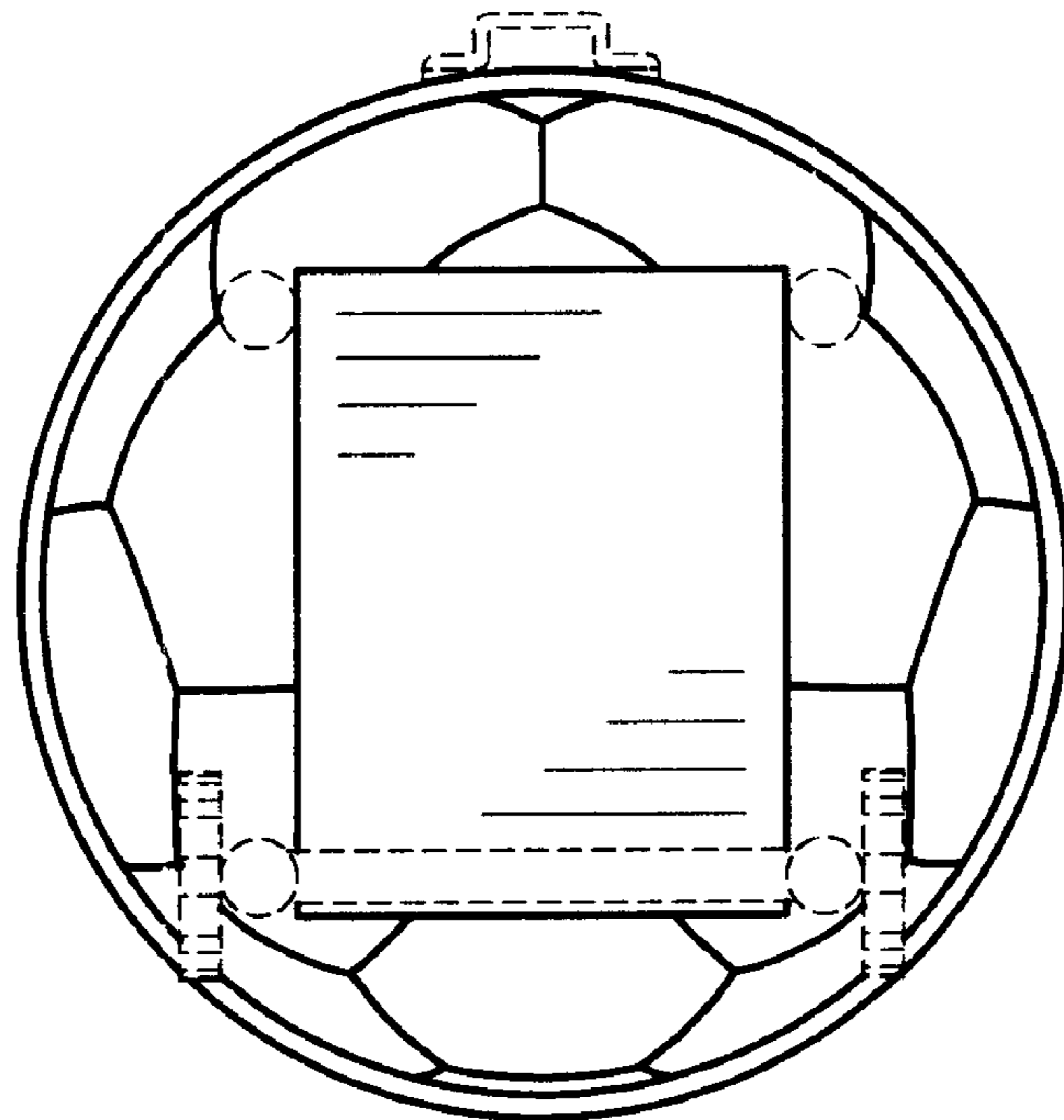


FIG. 5