

US00D563148S

(12) **United States Design Patent**
Henry

(10) **Patent No.:** **US D563,148 S**
(45) **Date of Patent:** **** Mar. 4, 2008**

(54) **FOOTBALL THEMED BARBECUE GRILL**

(75) Inventor: **Lowell M. Henry**, Redondo Beach, CA (US)

(73) Assignee: **AJML Company, LLC**, Redondo Beach, CA (US)

(**) Term: **14 Years**

(21) Appl. No.: **29/261,355**

(22) Filed: **Jun. 13, 2006**

(51) **LOC (8) Cl.** **07-02**

(52) **U.S. Cl.** **D7/334**

(58) **Field of Classification Search** D7/332,
D7/334-337, 402-404; D21/707, 712-714;
473/598; 446/153; 126/25 R, 25 A, 25 AA,
126/37 R, 38, 41 R, 40, 39 B, 268, 276,
126/9 R; 99/449, 481, 482

See application file for complete search history.

(56) **References Cited**

U.S. PATENT DOCUMENTS

- D314,882 S 2/1991 Bethel, Jr.
- D373,282 S * 9/1996 Cordero D7/334
- D385,146 S 10/1997 Fielding et al.
- D396,599 S 8/1998 Smith, Jr.
- D421,200 S 2/2000 Taylor, Jr.
- D425,367 S 5/2000 Cragg

- D435,998 S 1/2001 Mak
- D465,381 S 11/2002 Favela
- D465,694 S * 11/2002 Favela D7/334
- D465,962 S 11/2002 Favela
- D482,230 S * 11/2003 Lai D7/332
- D496,554 S 9/2004 Lai
- 2004/0094140 A1 * 5/2004 McNair 126/25 R

* cited by examiner

Primary Examiner—Ruth McInroy

(74) *Attorney, Agent, or Firm*—Gallagher & Dawsey Co, LPA; David J. Dawsey; Michael J. Gallagher

(57) **CLAIM**

I claim the ornamental design for a football themed barbecue grill, as shown and described.

DESCRIPTION

FIG. 1 is a left side isometric view of a football themed barbecue grill showing my new design;

FIG. 2 is a front elevation view thereof;

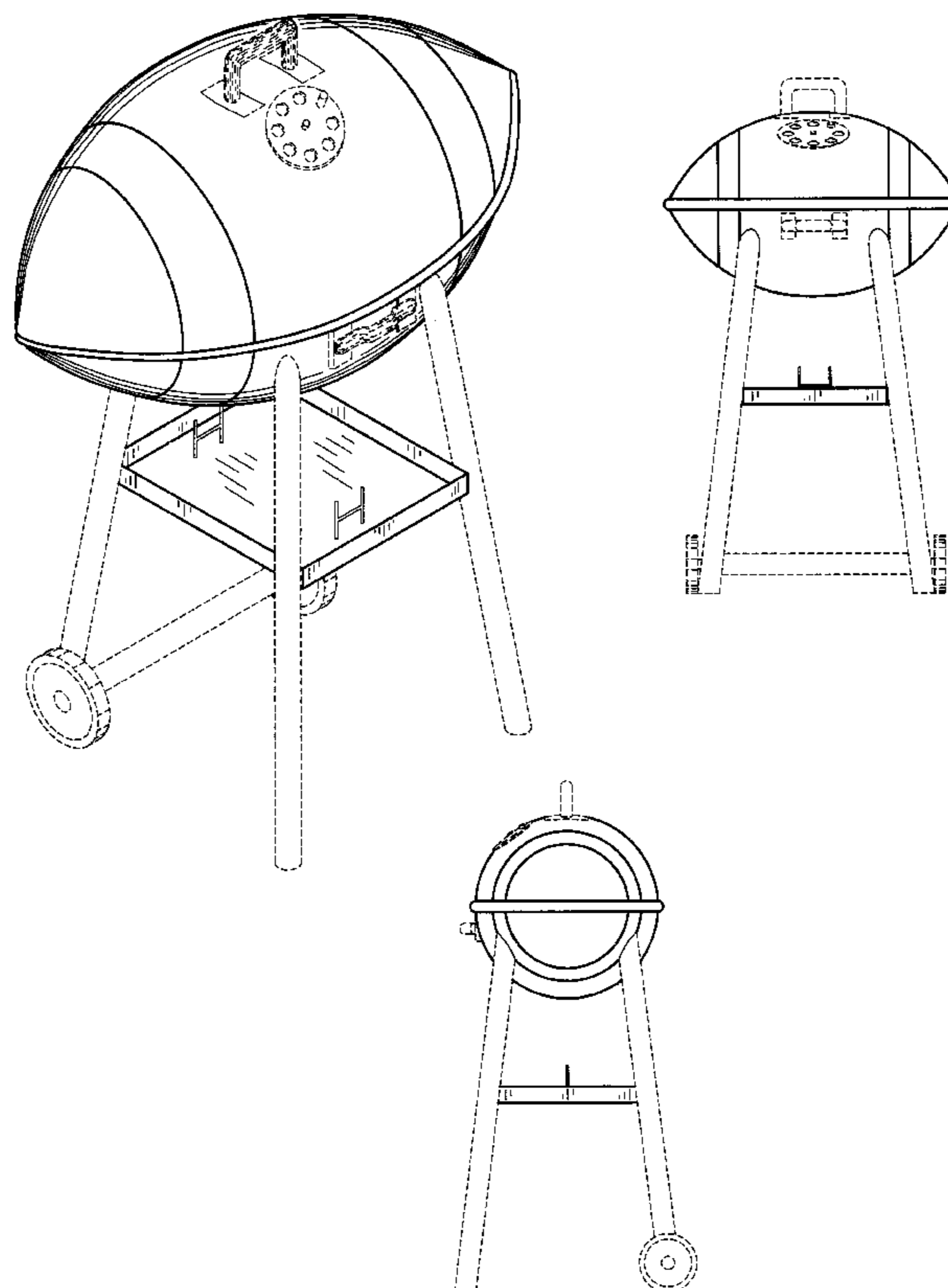
FIG. 3 is a right side elevation view thereof;

FIG. 4 is a top plan view thereof; and,

FIG. 5 is a bottom plan view thereof.

The broken lines are for illustrative purposes only and form no part of the claimed design.

1 Claim, 3 Drawing Sheets



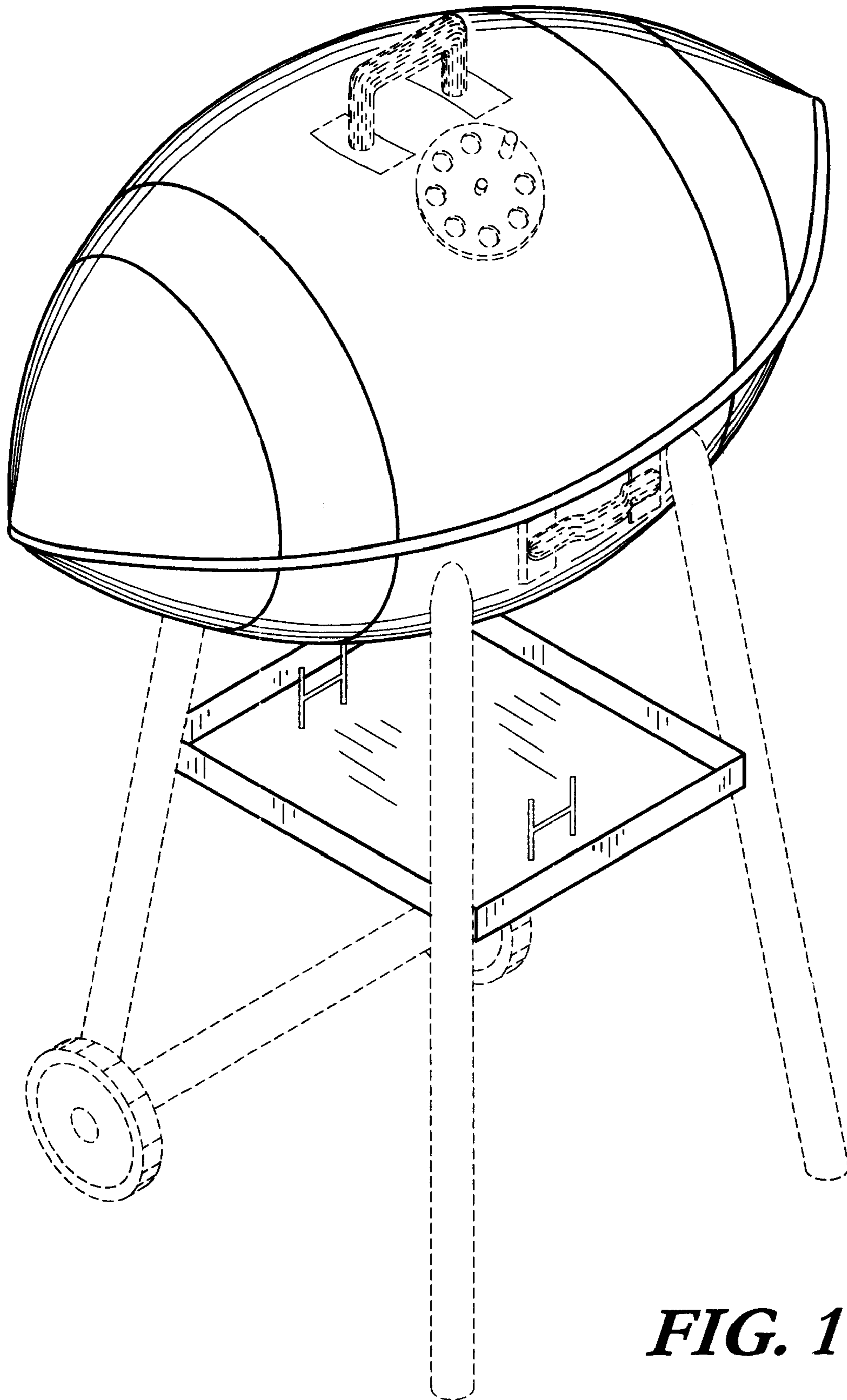


FIG. 1

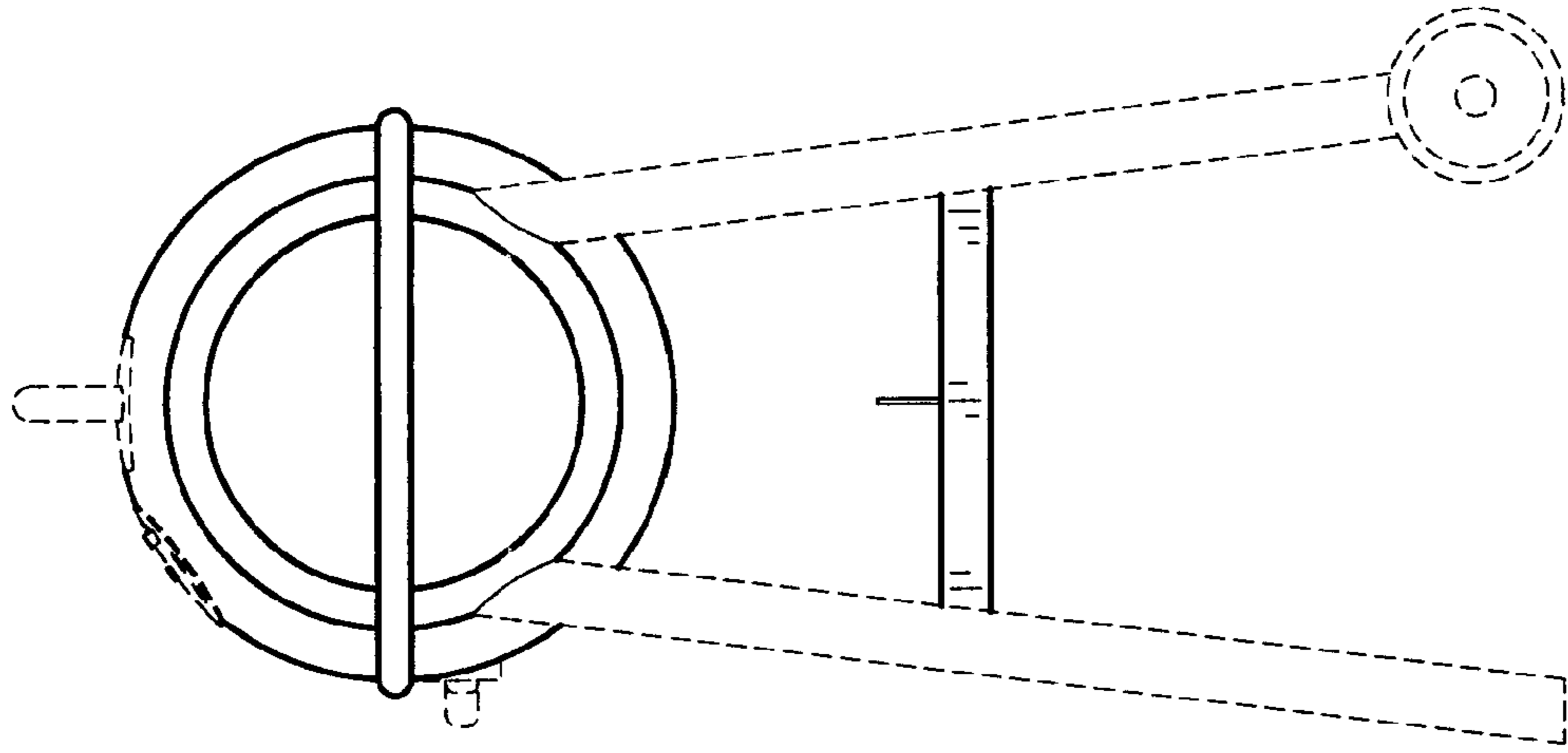


FIG. 3

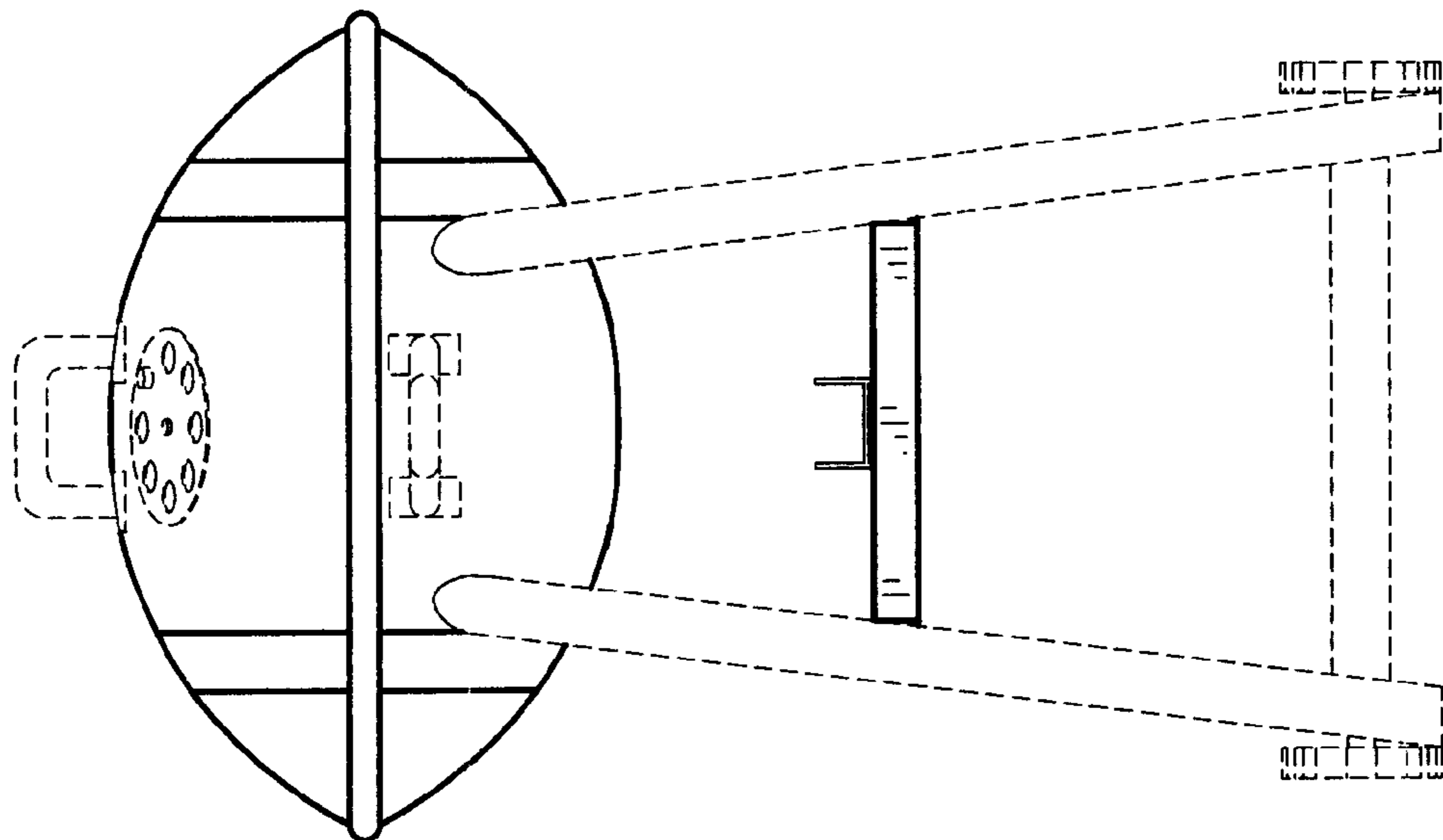


FIG. 2

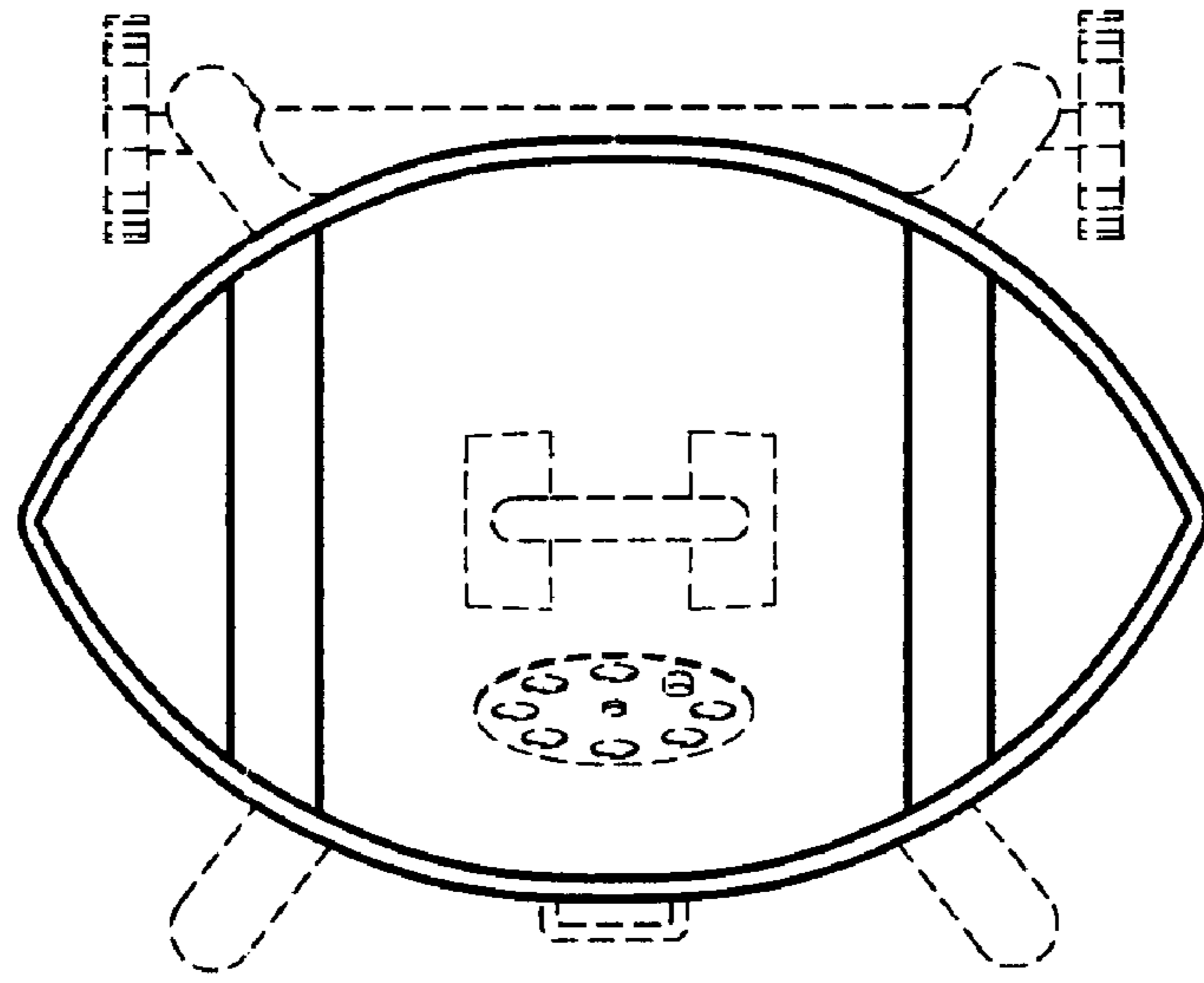


FIG. 4

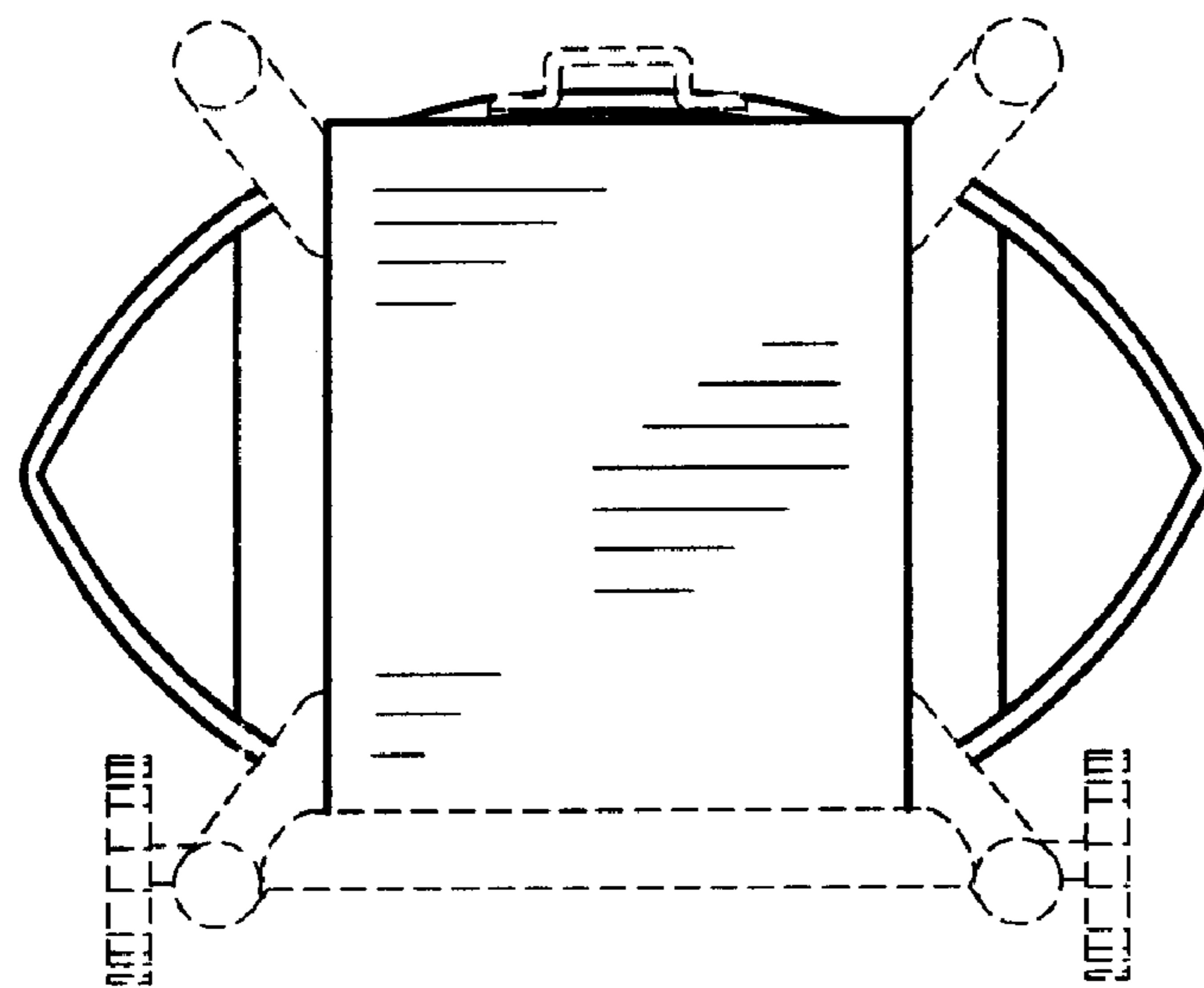


FIG. 5