



US00D563145S

(12) **United States Design Patent**  
**Henry**

(10) **Patent No.:** **US D563,145 S**  
(45) **Date of Patent:** **\*\* Mar. 4, 2008**

(54) **BASKETBALL THEMED BARBECUE GRILL**

(75) Inventor: **Lowell M. Henry**, Redondo Beach, CA (US)

(73) Assignee: **AJML Company, LLC**, Redondo Beach, CA (US)

(\*\*) Term: **14 Years**

(21) Appl. No.: **29/261,351**

(22) Filed: **Jun. 13, 2006**

(51) **LOC (8) Cl.** ..... **07-02**

(52) **U.S. Cl.** ..... **D7/334**

(58) **Field of Classification Search** ..... D7/332,  
D7/334-337, 402-404; D21/707, 713-714;  
473/598; 446/153; 126/25 R, 25 A, 25 AA,  
126/37 R, 38, 41 R, 40, 39 B, 268, 276,  
126/9 R; 99/449, 481, 482

See application file for complete search history.

(56) **References Cited**

**U.S. PATENT DOCUMENTS**

- D418,004 S \* 12/1999 Taylor, Jr. .... D7/332
- D431,155 S \* 9/2000 Cragg ..... D7/402
- D432,862 S \* 10/2000 Cragg ..... D7/402
- D446,267 S \* 8/2001 Feeney et al. .... D21/713
- D466,360 S \* 12/2002 Favela ..... D7/334

- D483,424 S \* 12/2003 Lowinger ..... D21/713
- D497,078 S \* 10/2004 Ethridge ..... D7/402
- D510,969 S \* 10/2005 Miller ..... D21/713
- D511,191 S \* 11/2005 Fryer ..... D21/713
- D517,137 S \* 3/2006 Kuehne et al. .... D21/713
- D540,408 S \* 4/2007 Laliberty et al. .... D21/713
- D543,250 S \* 5/2007 Laliberty et al. .... D21/713

\* cited by examiner

*Primary Examiner*—Ruth McInroy

(74) *Attorney, Agent, or Firm*—Gallagher & Dawsey Co. LPA; David J. Dawsey; Michael J. Gallagher

(57) **CLAIM**

I claim the ornamental design for a basketball themed barbecue grill, as shown and described.

**DESCRIPTION**

FIG. 1 is a left side isometric view of a basketball themed barbecue grill showing my new design;

FIG. 2 is a front elevation view thereof;

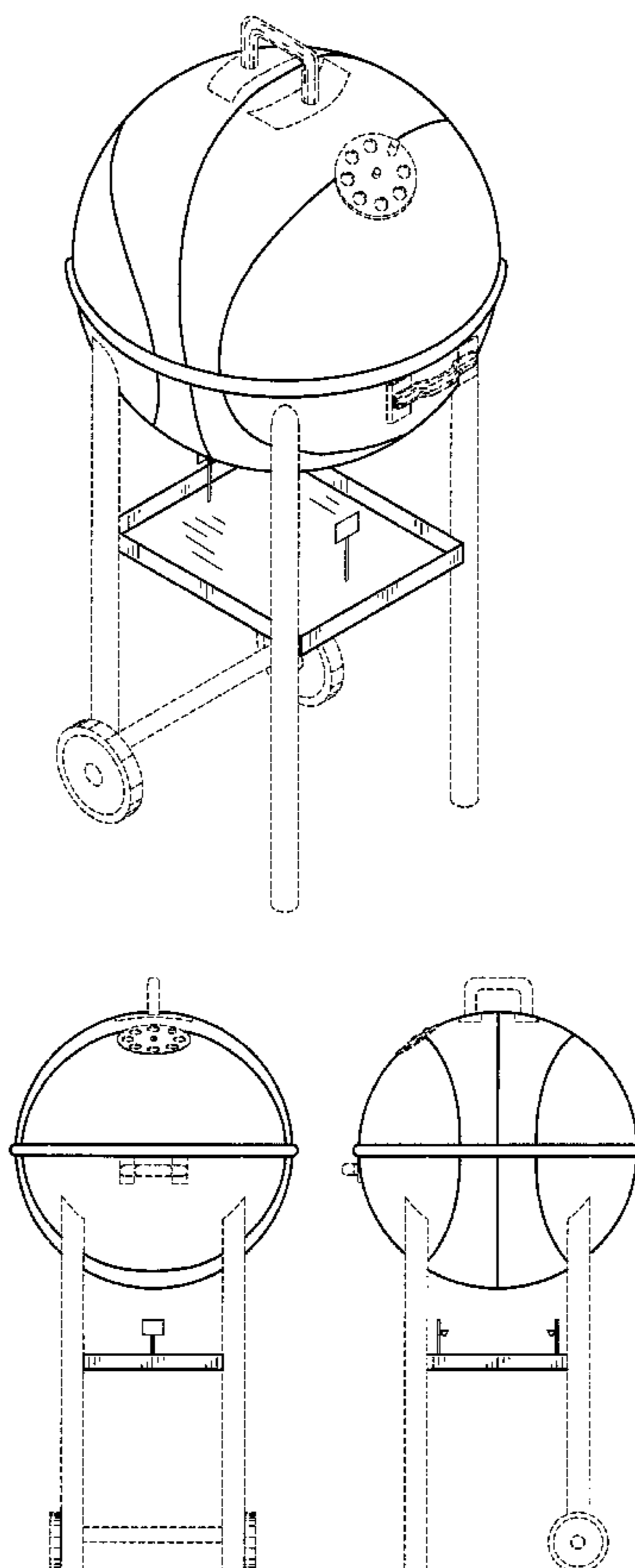
FIG. 3 is a right side elevation view thereof;

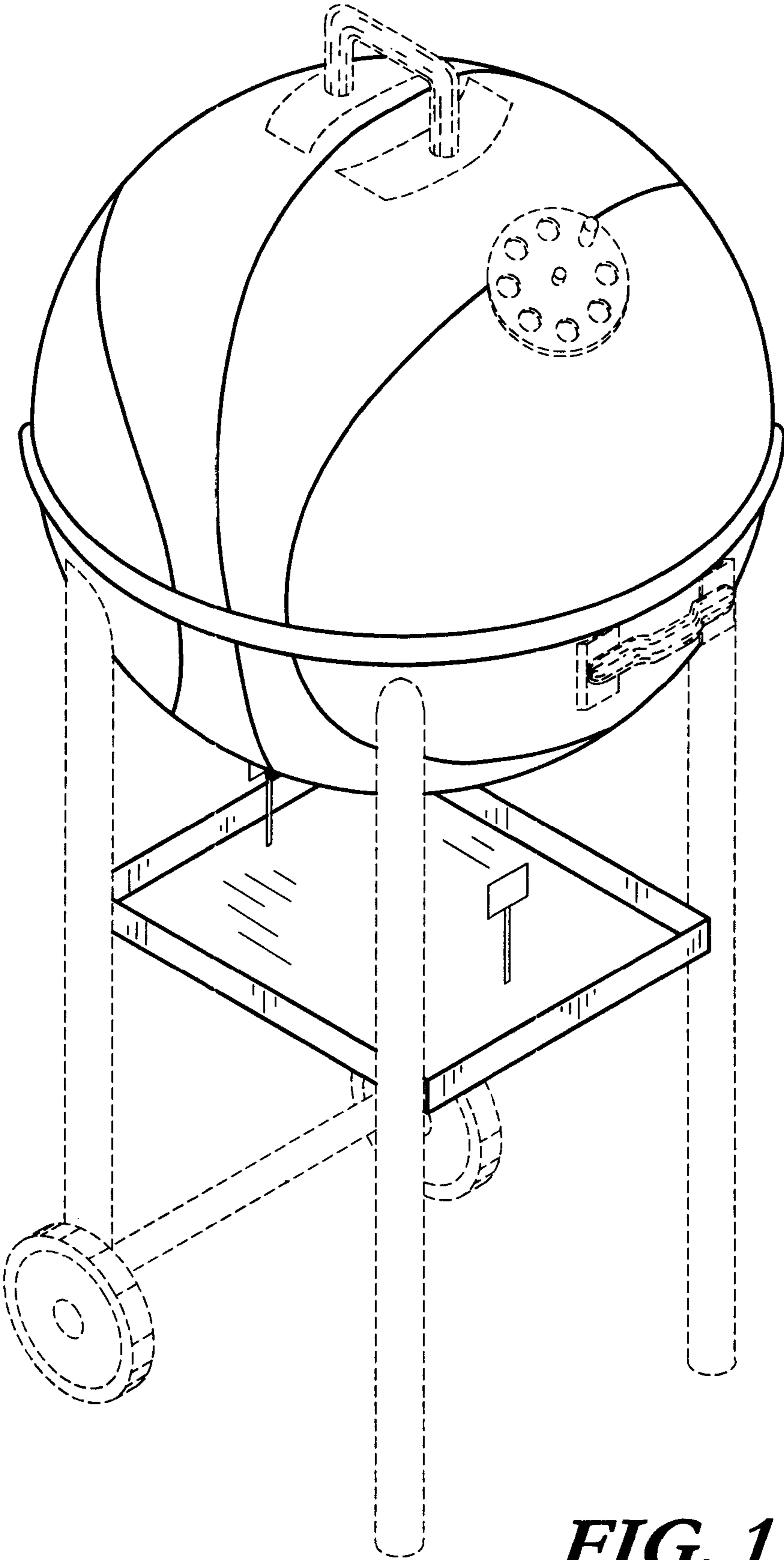
FIG. 4 is a top plan view thereof; and,

FIG. 5 is a bottom plan view thereof.

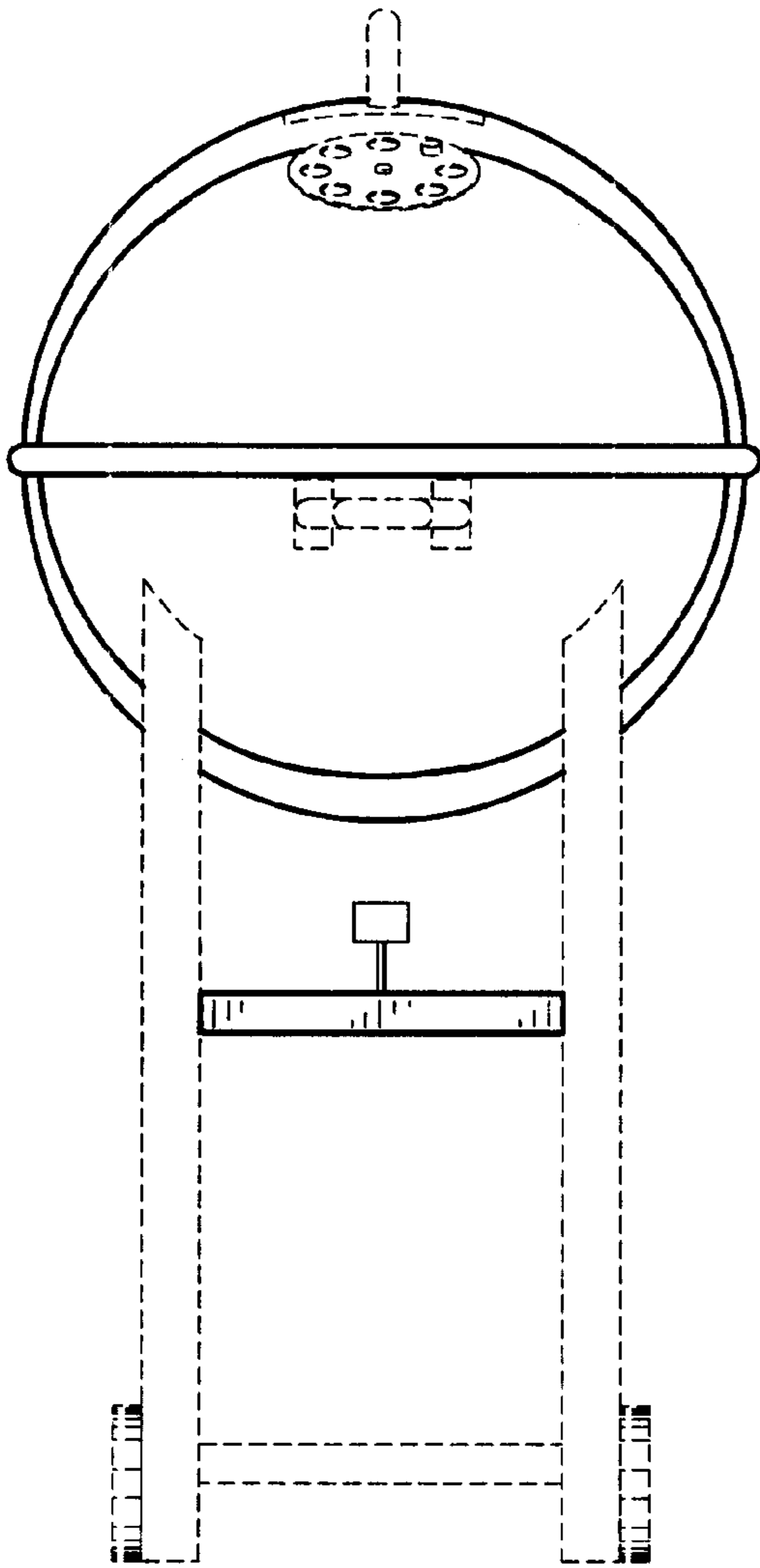
The broken lines are for illustrative purposes only and form no part of the claimed design.

**1 Claim, 3 Drawing Sheets**

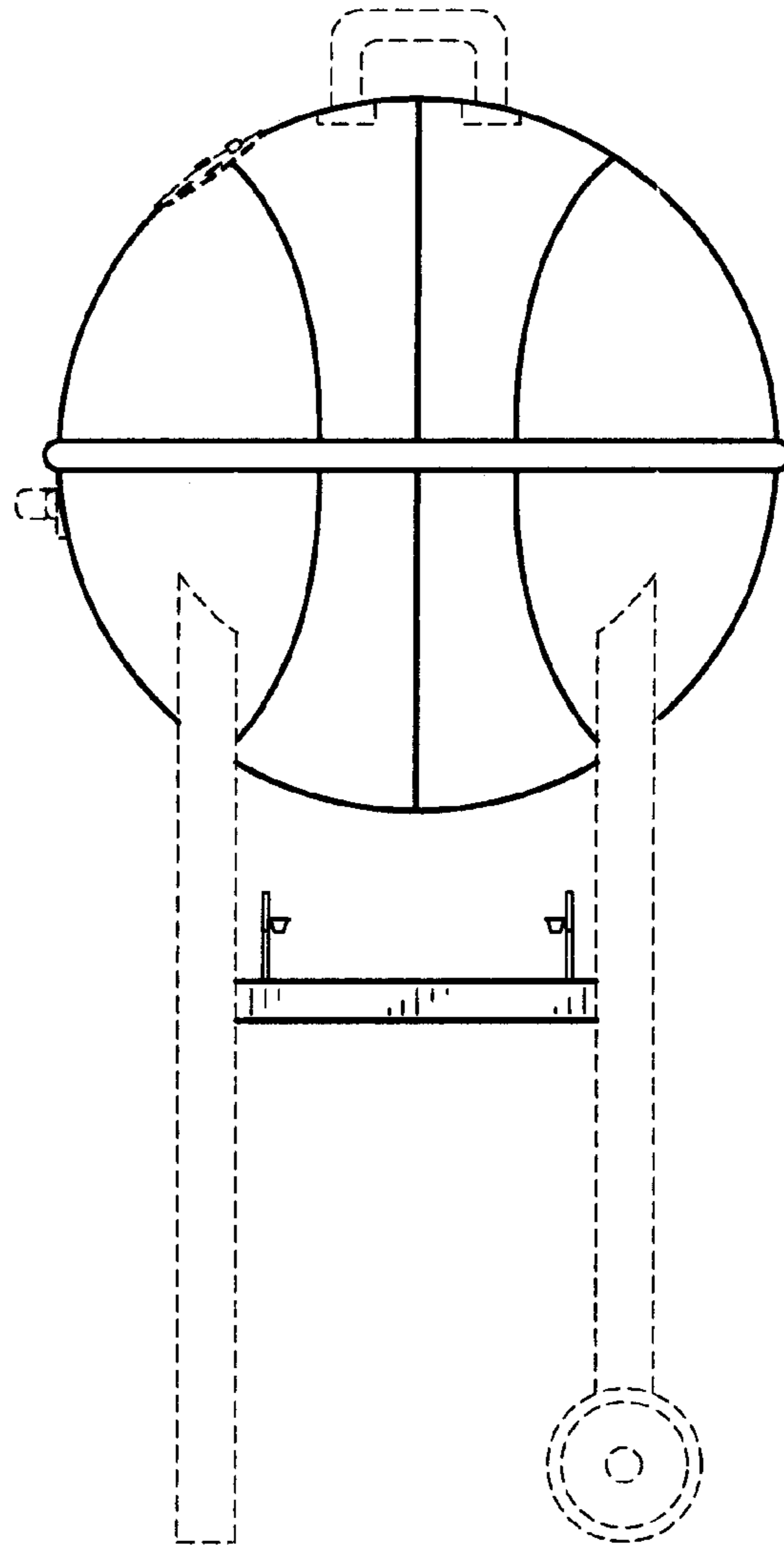




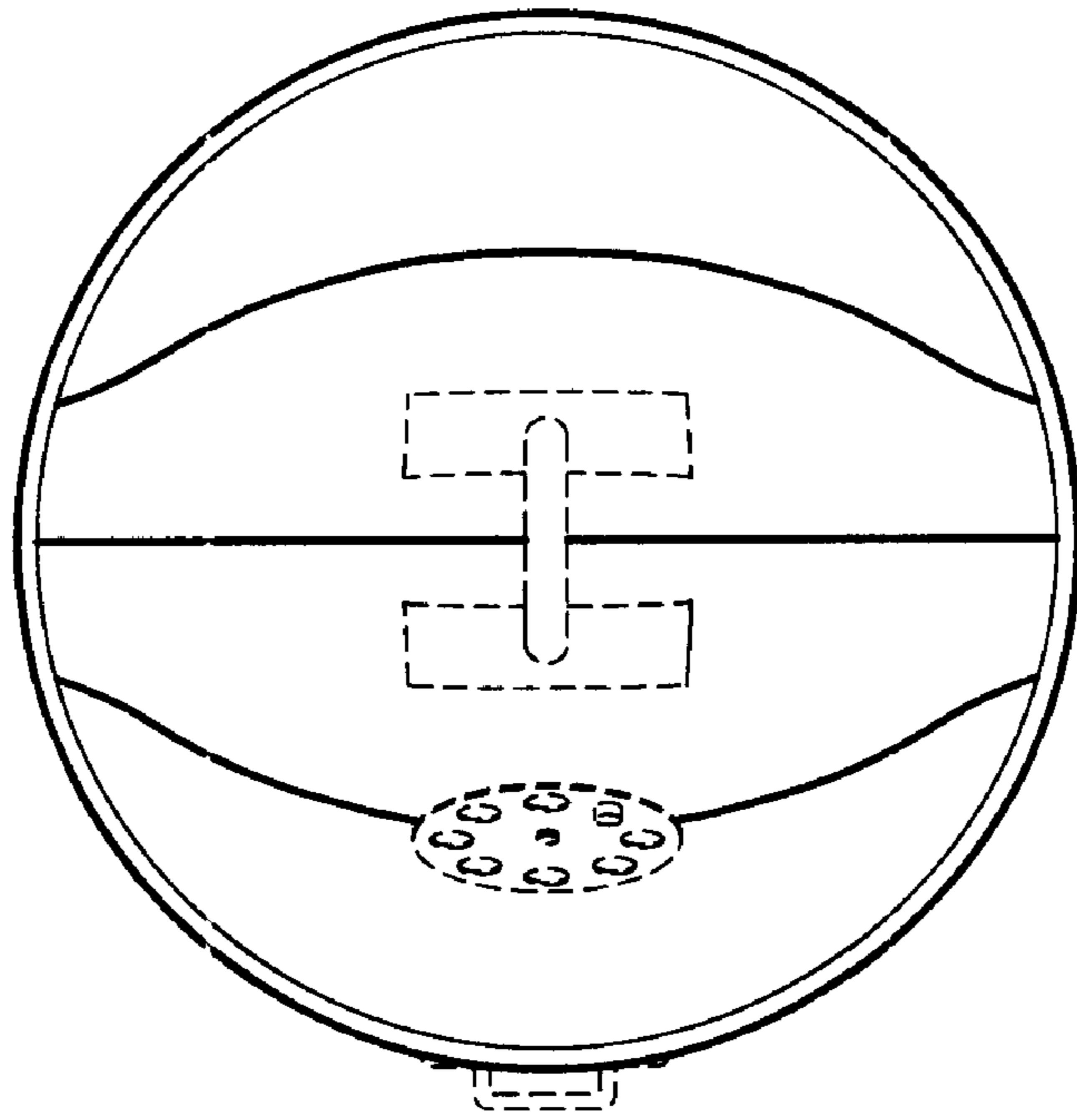
**FIG. 1**



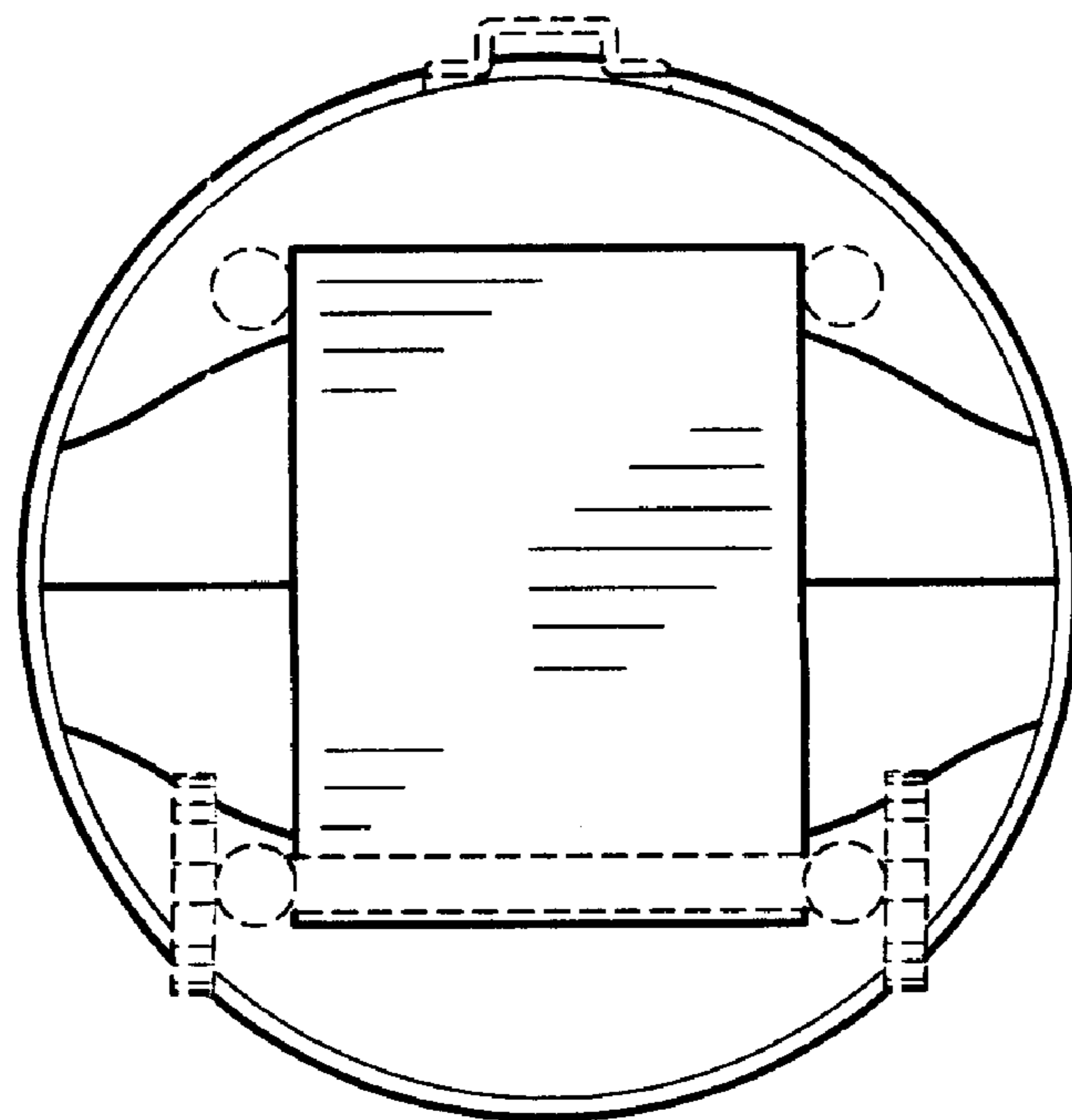
***FIG. 2***



***FIG. 3***



***FIG. 4***



***FIG. 5***