



US00D563143S

(12) **United States Design Patent**
Tonelli

(10) **Patent No.:** **US D563,143 S**
(45) **Date of Patent:** **** Mar. 4, 2008**

- (54) **DRINK MAKING MACHINE**
- (75) Inventor: **Stefano Tonelli**, Gaggio Montano (IT)
- (73) Assignee: **Seaco IPR Limited**, Dublin (IE)
- (**) Term: **14 Years**
- (21) Appl. No.: **29/259,488**
- (22) Filed: **May 9, 2006**

- D510,675 S * 10/2005 Ball D7/306
- D523,279 S * 6/2006 Zemp D7/309
- D526,524 S * 8/2006 Jordana D7/309
- D526,828 S * 8/2006 Jordana D7/309
- D536,917 S * 2/2007 McWilliam D7/309
- D538,578 S * 3/2007 McWilliam D7/309
- D543,771 S * 6/2007 Julemont D7/309

* cited by examiner

Primary Examiner—Marianne Pandozzi
(74) *Attorney, Agent, or Firm*—Abelman, Frayne & Schwab

- (30) **Foreign Application Priority Data**
Nov. 10, 2005 (EM) 000428834-0002
- (51) **LOC (8) Cl.** **07-01**
- (52) **U.S. Cl.** **D7/306; D7/309; D7/311**
- (58) **Field of Classification Search** D7/309–311,
D7/306–308, 300, 305; 99/289 R, 295, 282,
99/304; 222/129.1, 129.2, 129.3, 129.4
See application file for complete search history.

(57) **CLAIM**

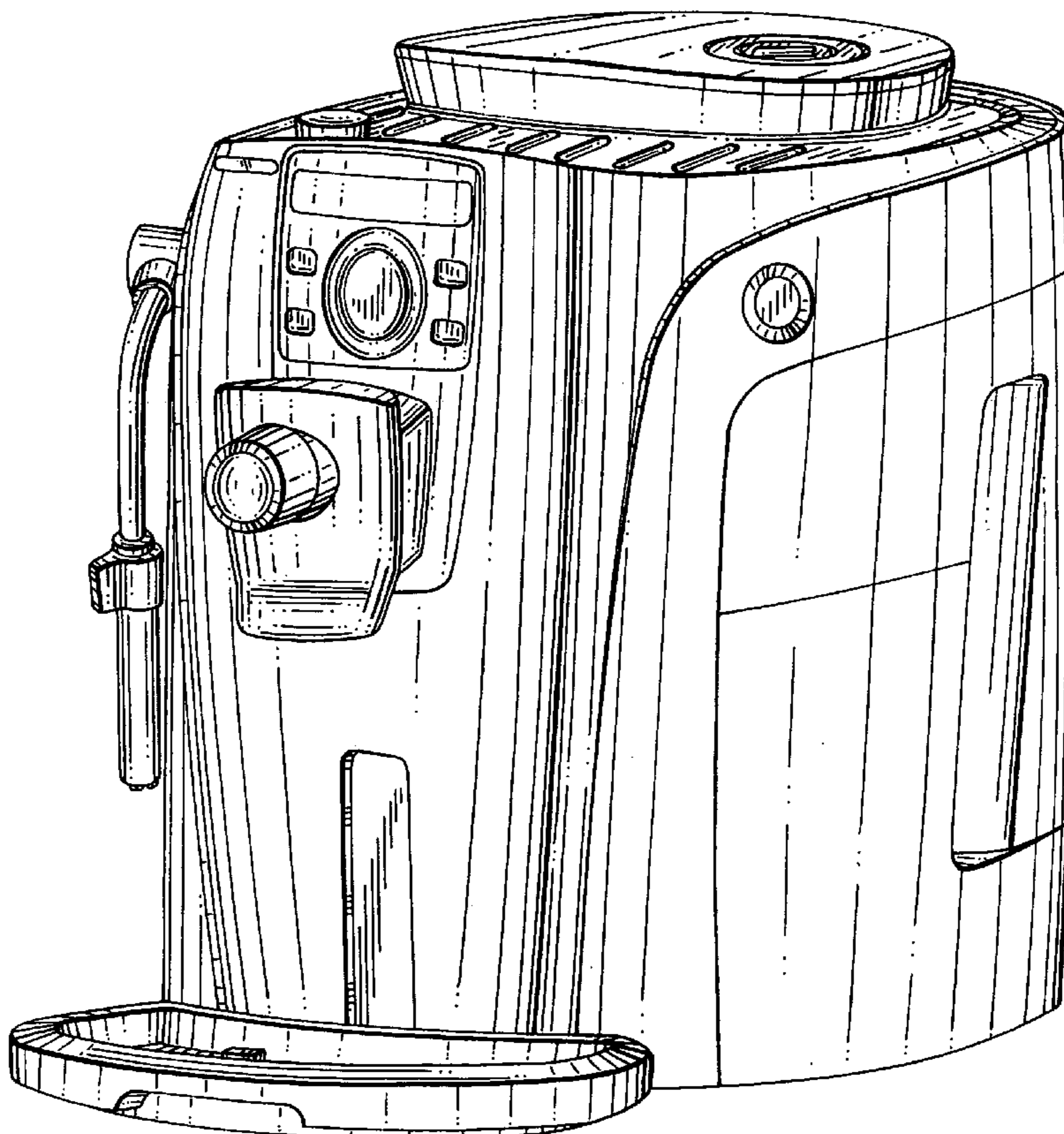
The ornamental design for a drink making machine, as shown and described.

DESCRIPTION

FIG. 1 is a front view of a drink making machine showing my new design;
 FIG. 2 is a front, side perspective view thereof;
 FIG. 3 is a right side view thereof;
 FIG. 4 is a left side view thereof;
 FIG. 5 is a top plan view thereof;
 FIG. 6 is a side, rear perspective view thereof; and,
 FIG. 7 is a rear view thereof.

- (56) **References Cited**
U.S. PATENT DOCUMENTS
D414,371 S * 9/1999 Seiffert D7/309
D431,748 S * 10/2000 Cahen D7/309
D445,292 S * 7/2001 Sowden D7/309
D449,199 S * 10/2001 Cahen D7/309
D486,346 S * 2/2004 Jonsson D7/309

1 Claim, 7 Drawing Sheets



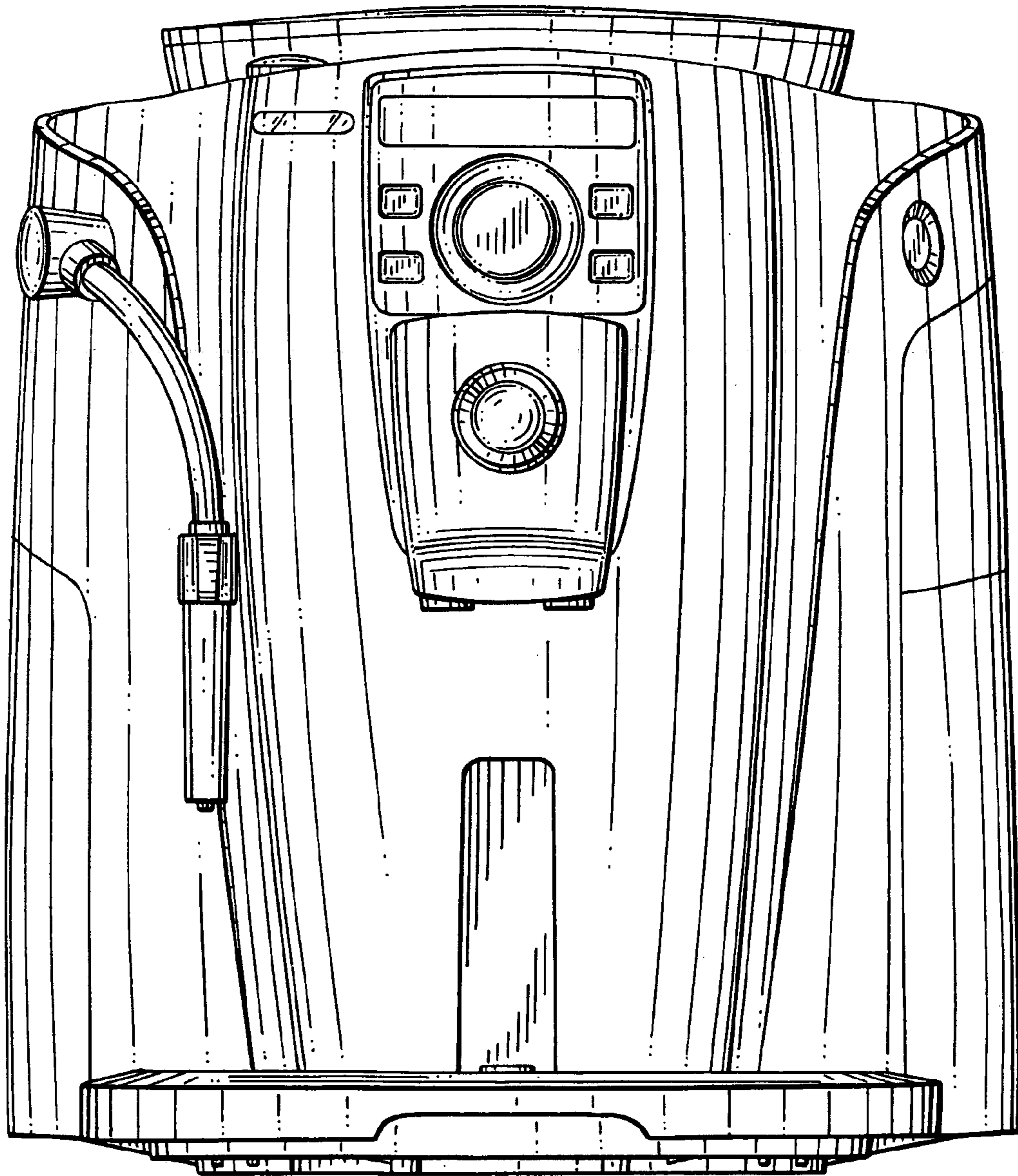


FIG. 1

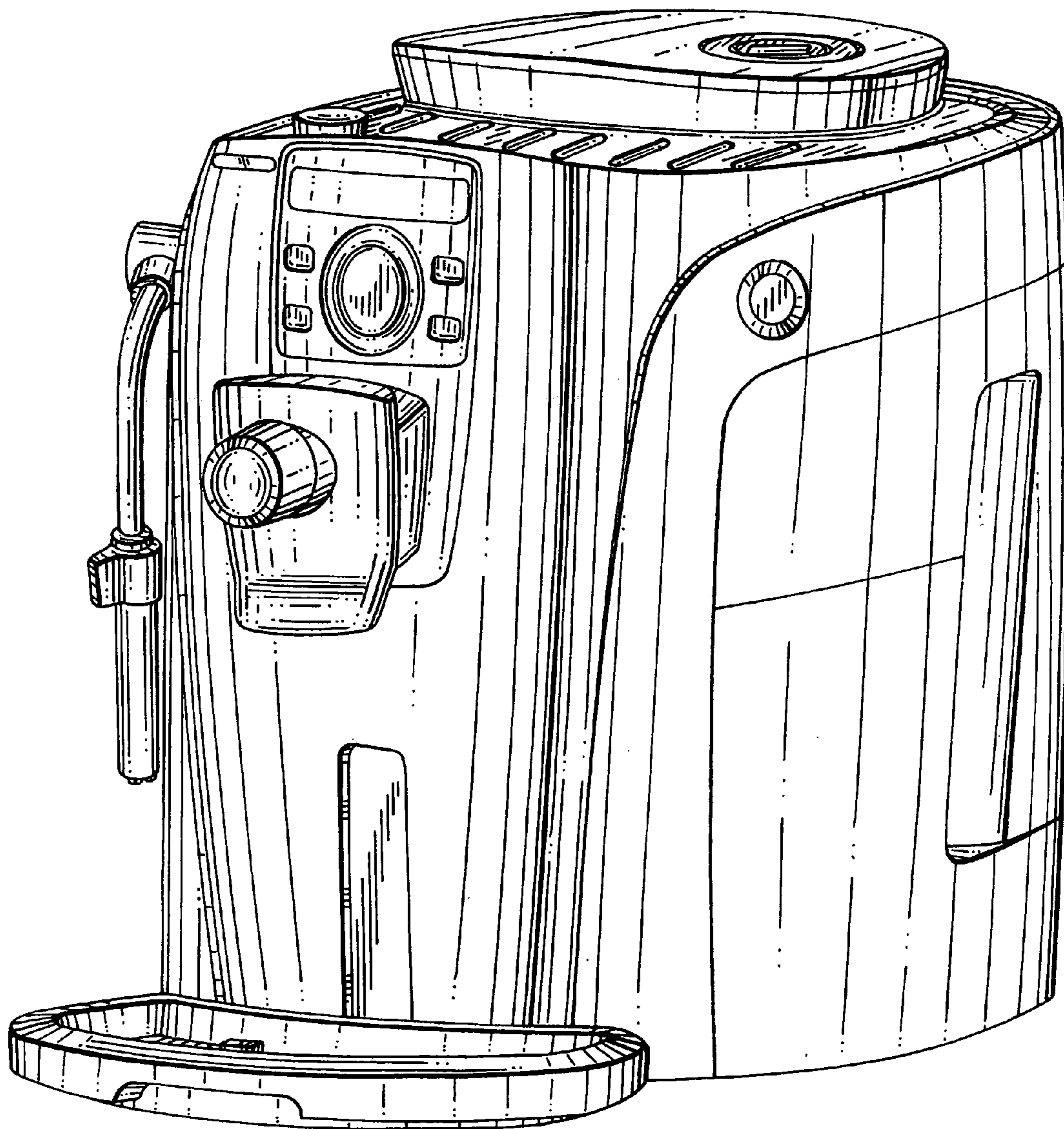
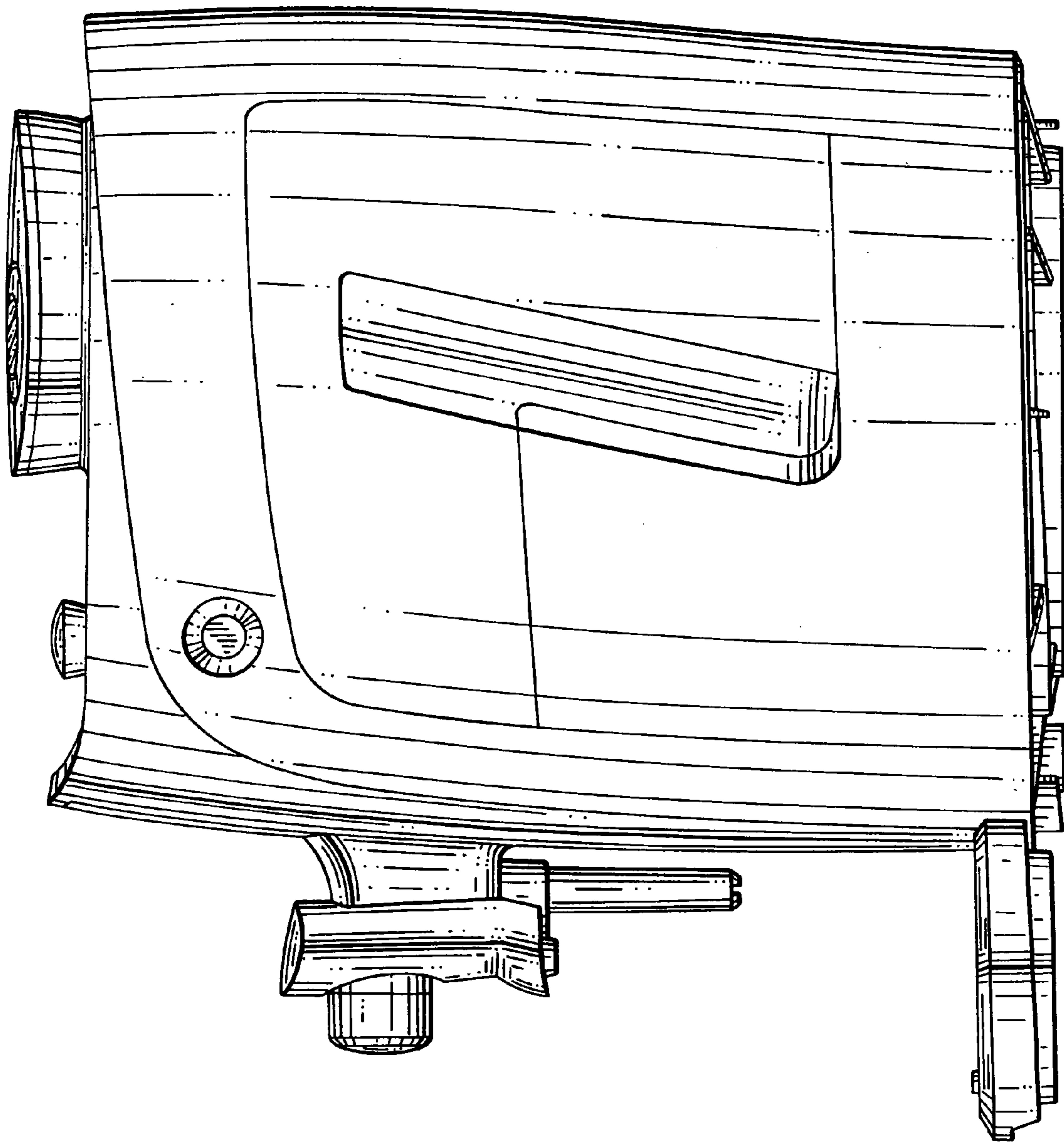


FIG. 2

FIG. 3



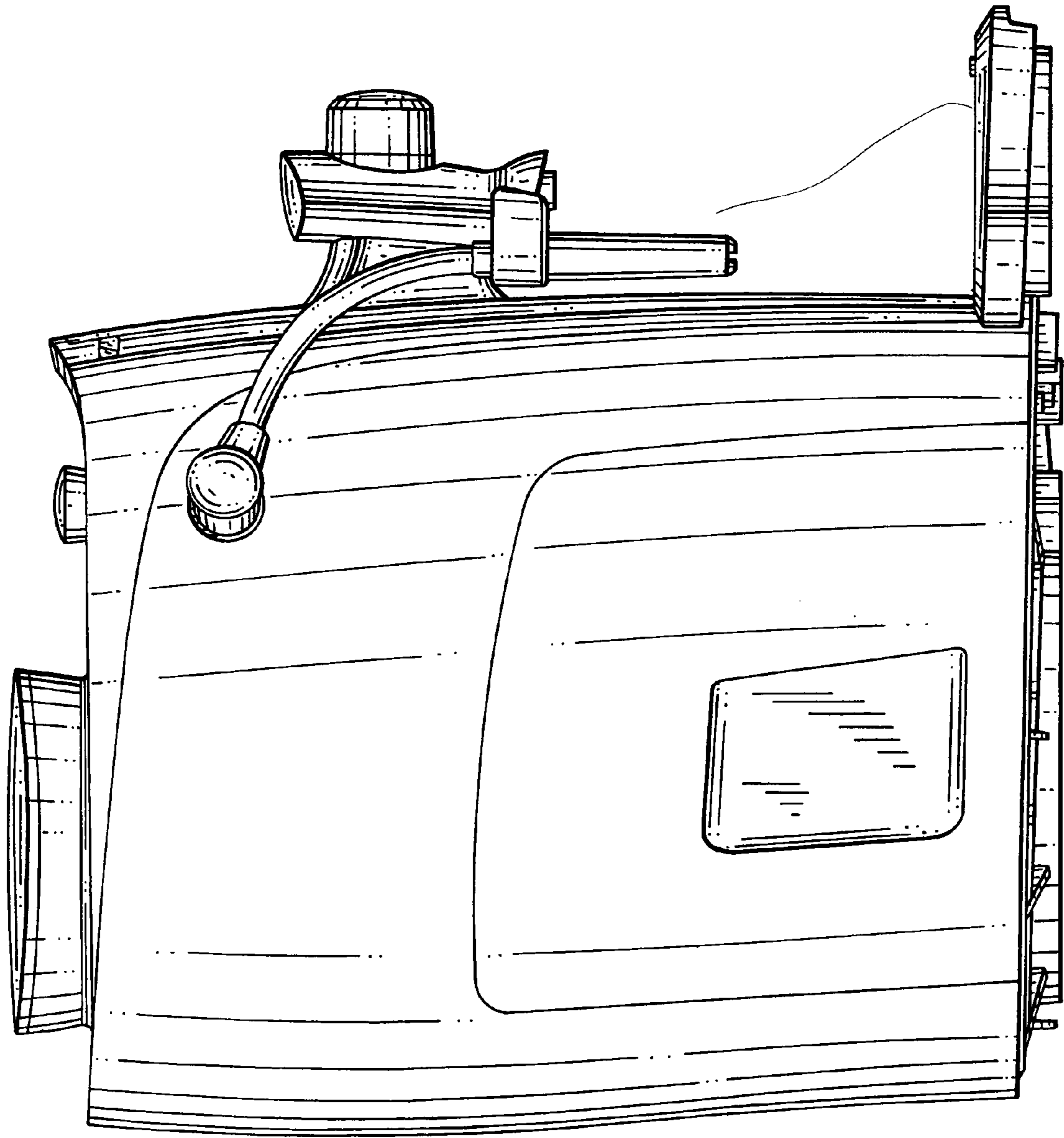


FIG. 4

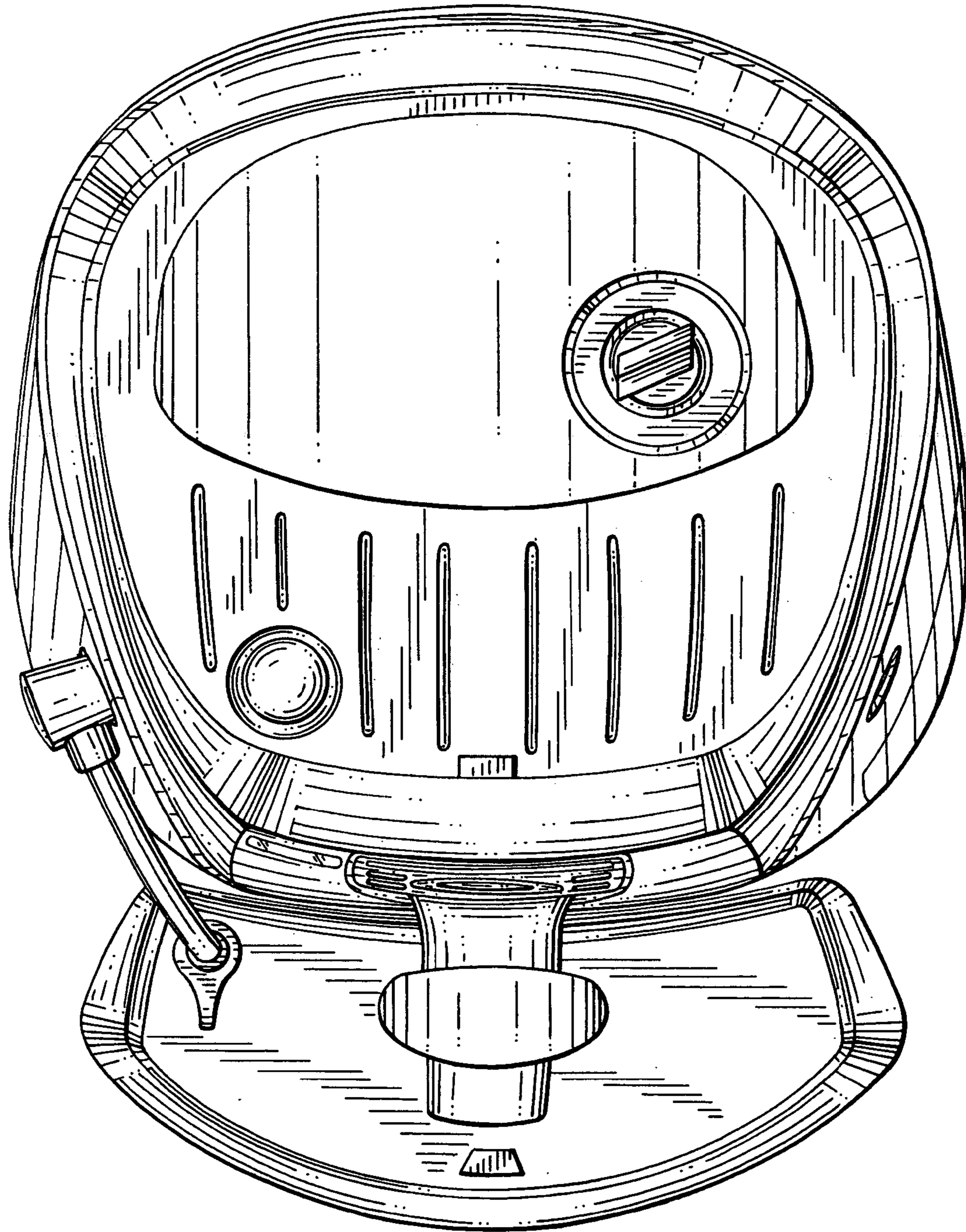


FIG. 5

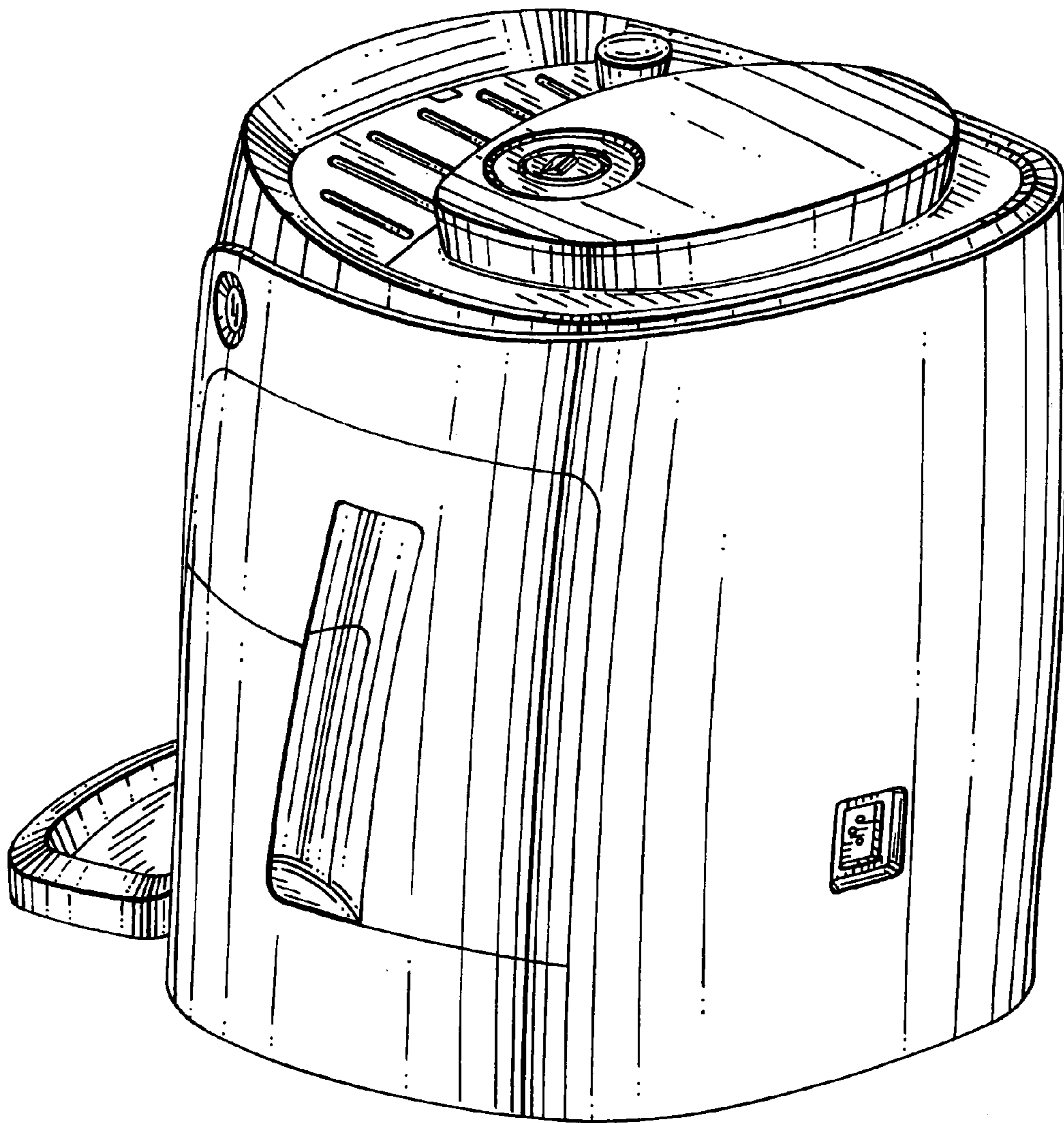


FIG. 6

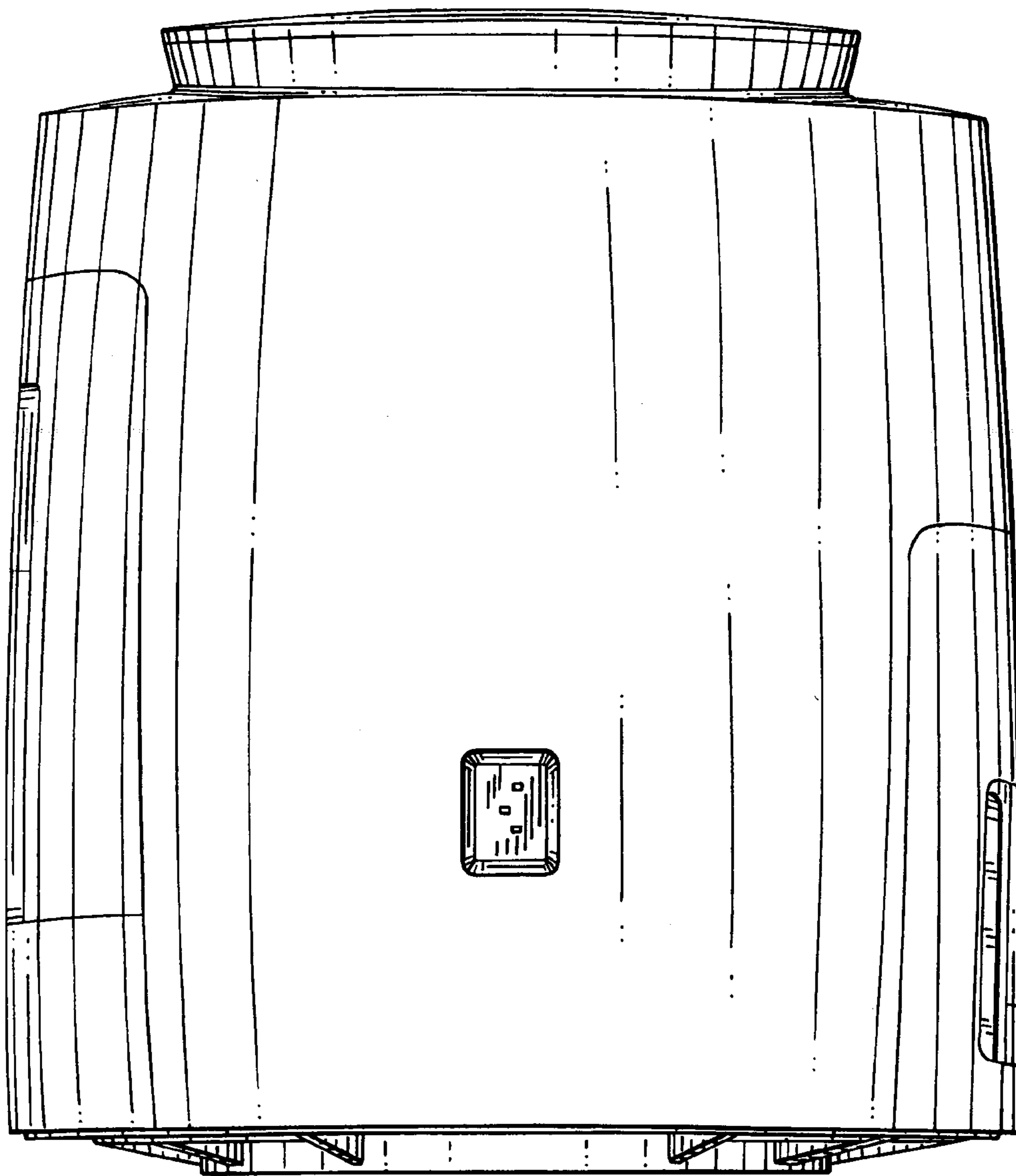


FIG. 7