



US00D563140S

(12) **United States Design Patent**
Hunt et al.

(10) **Patent No.:** **US D563,140 S**
(45) **Date of Patent:** **** Mar. 4, 2008**

- (54) **DISC STORAGE LOCKER**
- (75) Inventors: **Ronald Eugene Hunt**, Georgetown, TX (US); **Verlon Eugene Whitehead**, Austin, TX (US); **Tod Alan Barrett**, Austin, TX (US)
- (73) Assignee: **CD3 Storage Systems, Inc.**, Austin, TX (US)
- (**) Term: **14 Years**
- (21) Appl. No.: **29/213,021**
- (22) Filed: **Sep. 11, 2004**

Related U.S. Application Data

- (63) Continuation-in-part of application No. 29/177,601, filed on Mar. 12, 2003, now Pat. No. Des. 512,261.
 - (51) **LOC (8) Cl.** **06-04**
 - (52) **U.S. Cl.** **D6/632; D6/407**
 - (58) **Field of Classification Search** D3/201, D3/215, 217, 218, 226, 238, 247, 254, 257, D3/270, 272, 273, 276, 295, 303, 307; D6/407, D6/408, 475, 626-635; D9/337, 424, 445, D9/454; 206/18, 307.1, 308.1, 308.2, 308.3, 206/30, 310, 311, 312, 313, 445, 749; 312/902, 312/9.9, 9.48, 9.55, 9.64, 9.47, 9.53, 328; 379/355; 383/18
- See application file for complete search history.

References Cited

U.S. PATENT DOCUMENTS

- D239,153 S * 3/1976 Snyder D7/625
- D268,311 S * 3/1983 De Persia D6/433
- 4,747,488 A * 5/1988 Kikuchi 206/308.3
- D316,178 S * 4/1991 Uemura D6/633
- 5,358,100 A * 10/1994 Wolff 206/749
- D353,748 S * 12/1994 Ferris et al. D7/709
- D354,518 S * 1/1995 Dietterich et al. D19/82
- D377,548 S * 1/1997 O'Shea D30/143
- D394,182 S * 5/1998 Woolrich D6/632
- D402,134 S * 12/1998 Schrader D6/440
- 5,850,921 A * 12/1998 Shindou et al. 206/711

- D435,342 S * 12/2000 Mogil D3/283
- D435,968 S * 1/2001 Mogil D3/283
- D456,133 S * 4/2002 Fiore, Jr. D3/254
- D456,994 S * 5/2002 Erwin D3/291
- D462,520 S * 9/2002 Snider D3/282
- D473,053 S * 4/2003 Spitler D3/273
- D473,607 S * 4/2003 Owens D21/801
- D482,869 S * 12/2003 Chen D3/282
- D506,062 S * 6/2005 Whalen et al. D3/262
- D512,261 S * 12/2005 Hunt et al. D6/632
- D525,068 S * 7/2006 Bennett et al. D6/632
- D530,458 S * 10/2006 Arnim D30/161
- D550,516 S * 9/2007 Tsai D7/629

* cited by examiner

Primary Examiner—Celia A. Murphy

(74) *Attorney, Agent, or Firm*—Dillon & Yudell LLP; Andrew J. Dillon

(57) **CLAIM**

We claim the ornamental design for the disc storage locker, as shown and described.

DESCRIPTION

FIG. 1 is a front perspective view of the disk storage locker showing speaker holes of the present invention.

FIG. 2 is a rear perspective view of the disk storage locker of the present invention.

FIG. 3 is a top plan view of the disk storage locker of the present invention.

FIG. 4 is a left side elevational view of the disk storage locker of the present invention.

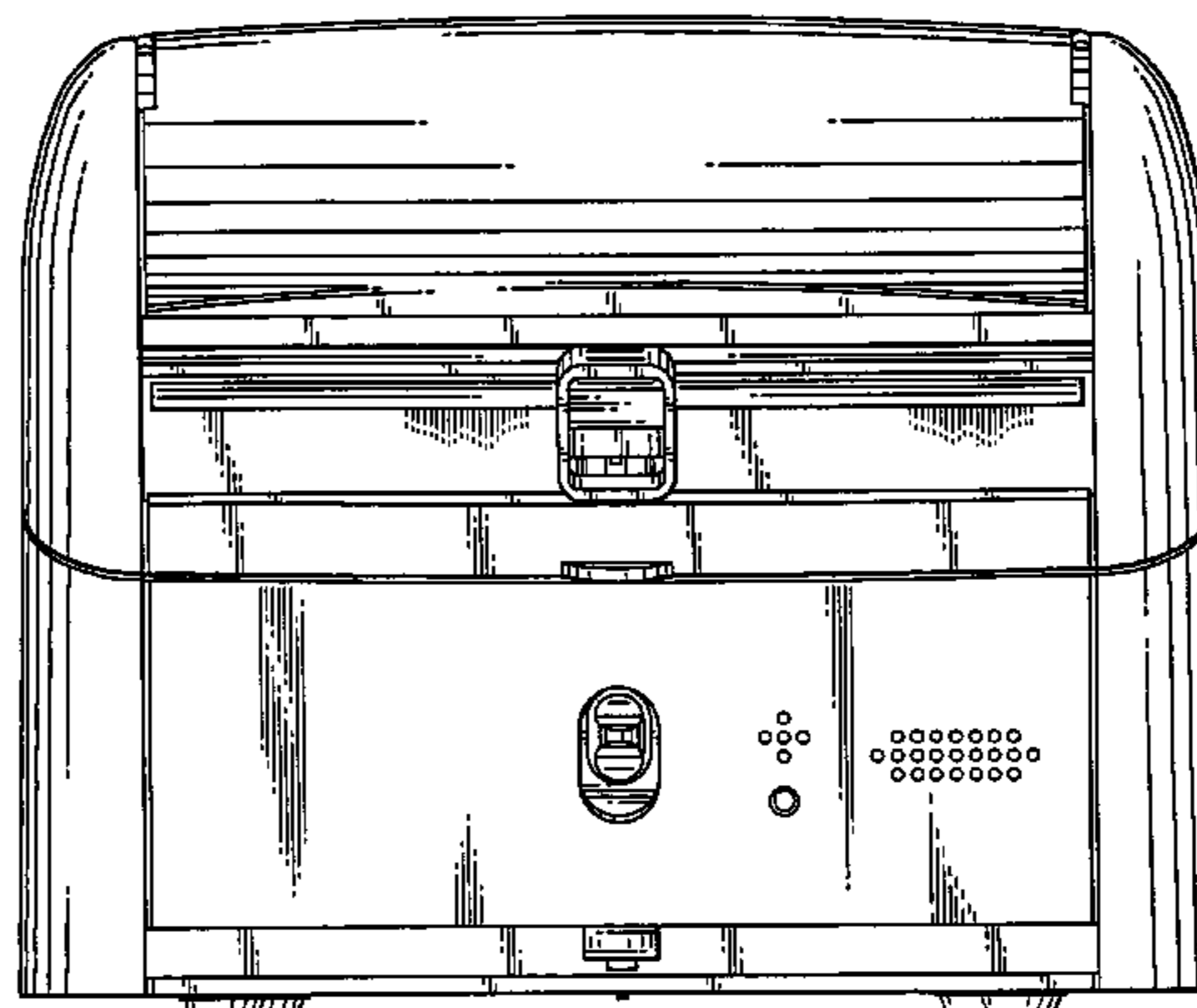
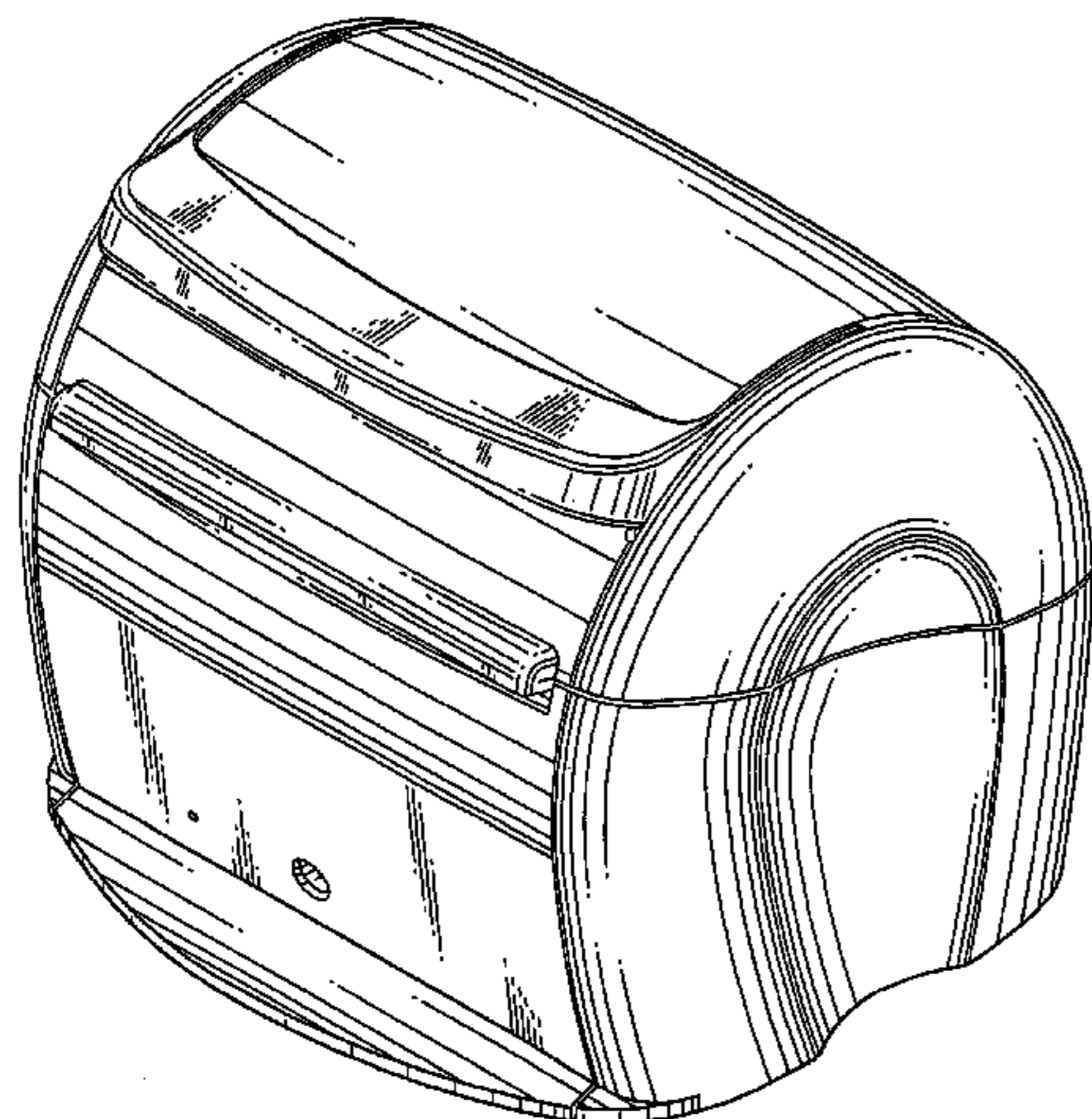
FIG. 5 is a front elevational view of the disk storage locker of the present invention.

FIG. 6 is a right side plan view of the disk storage locker of the present invention.

FIG. 7 is a rear elevational view of the disk storage locker of the present invention; and,

FIG. 8 is a bottom plan view of the disk storage locker of the present invention.

1 Claim, 8 Drawing Sheets



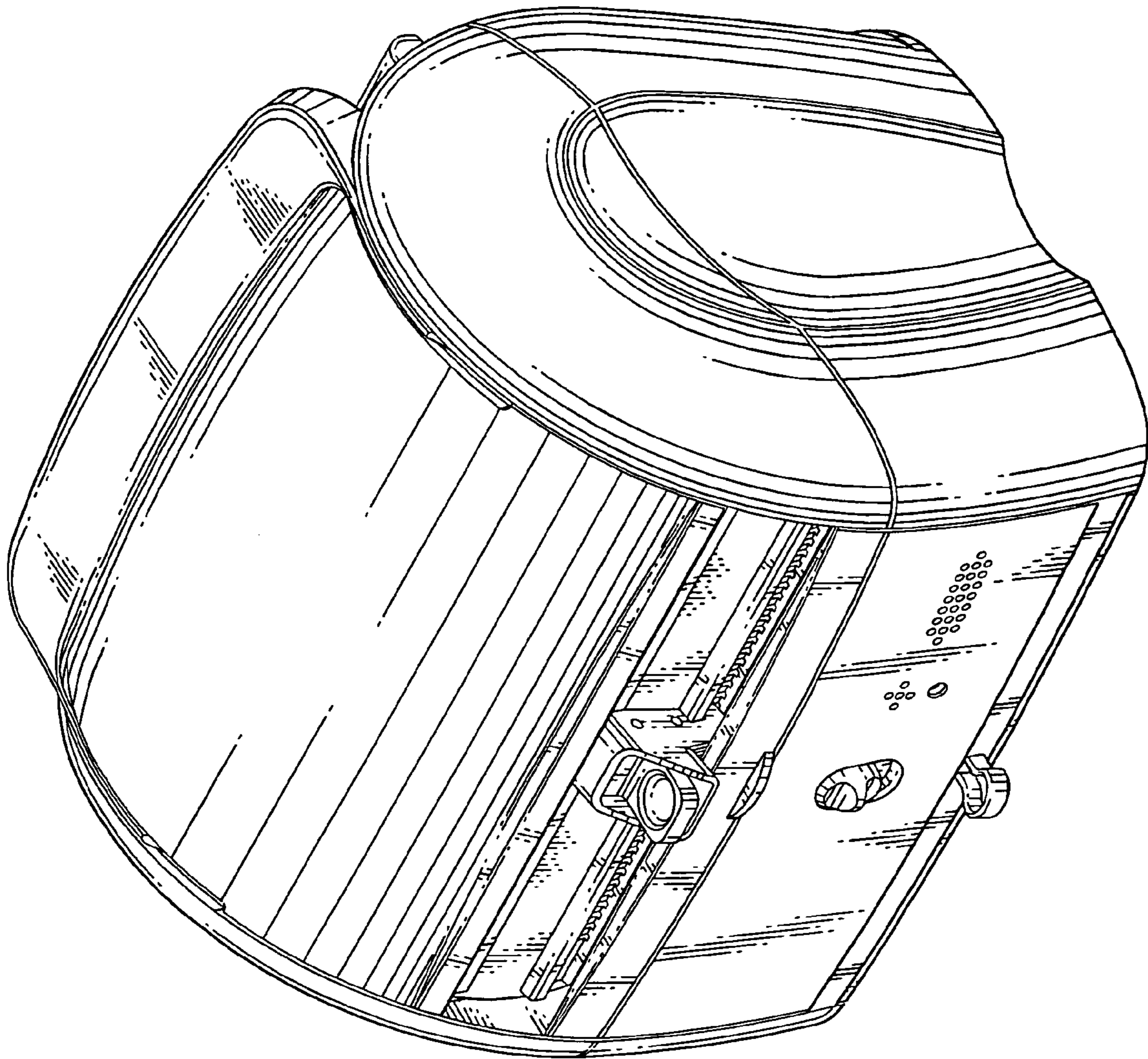


Fig. 1

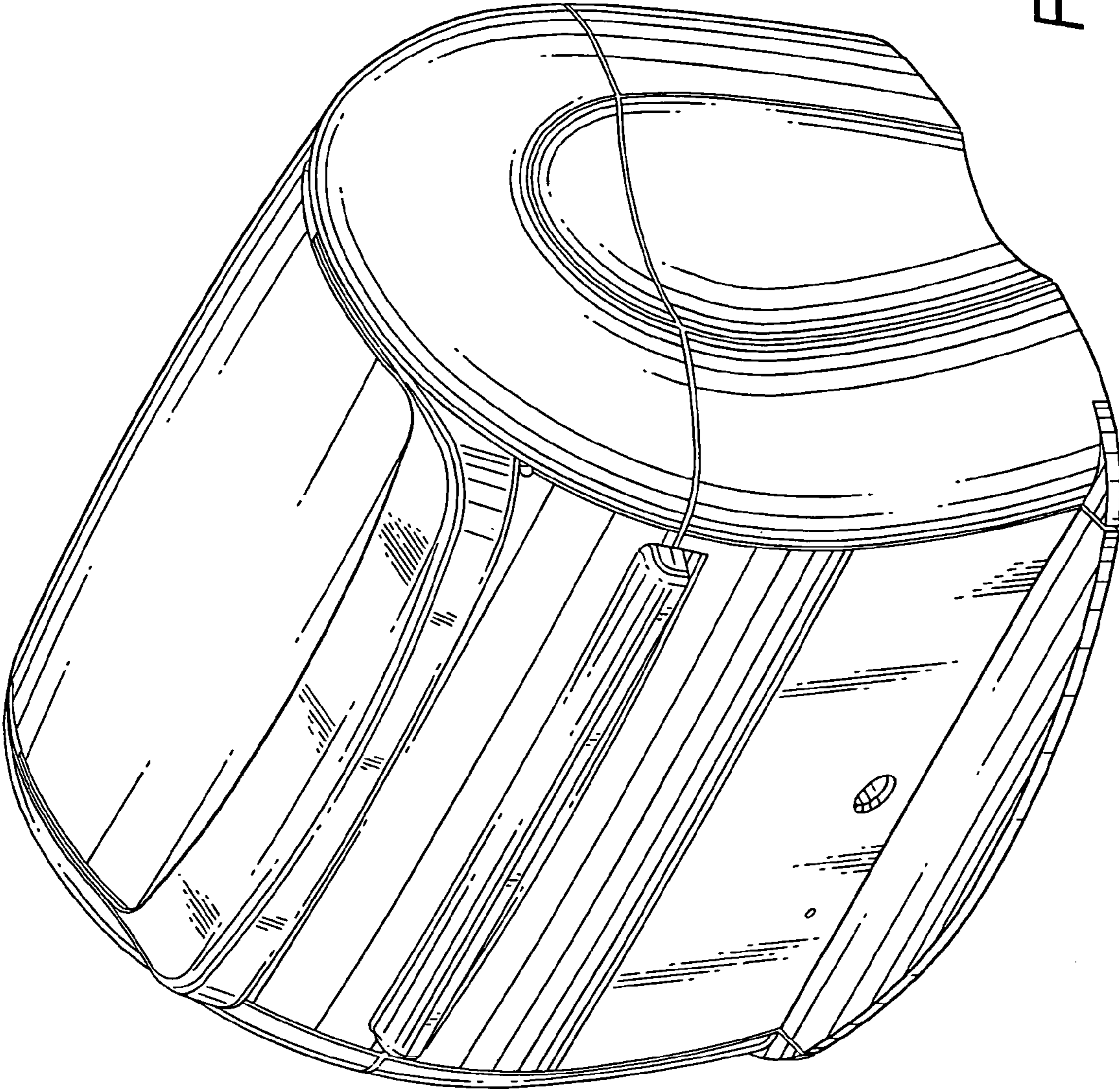


Fig. 2

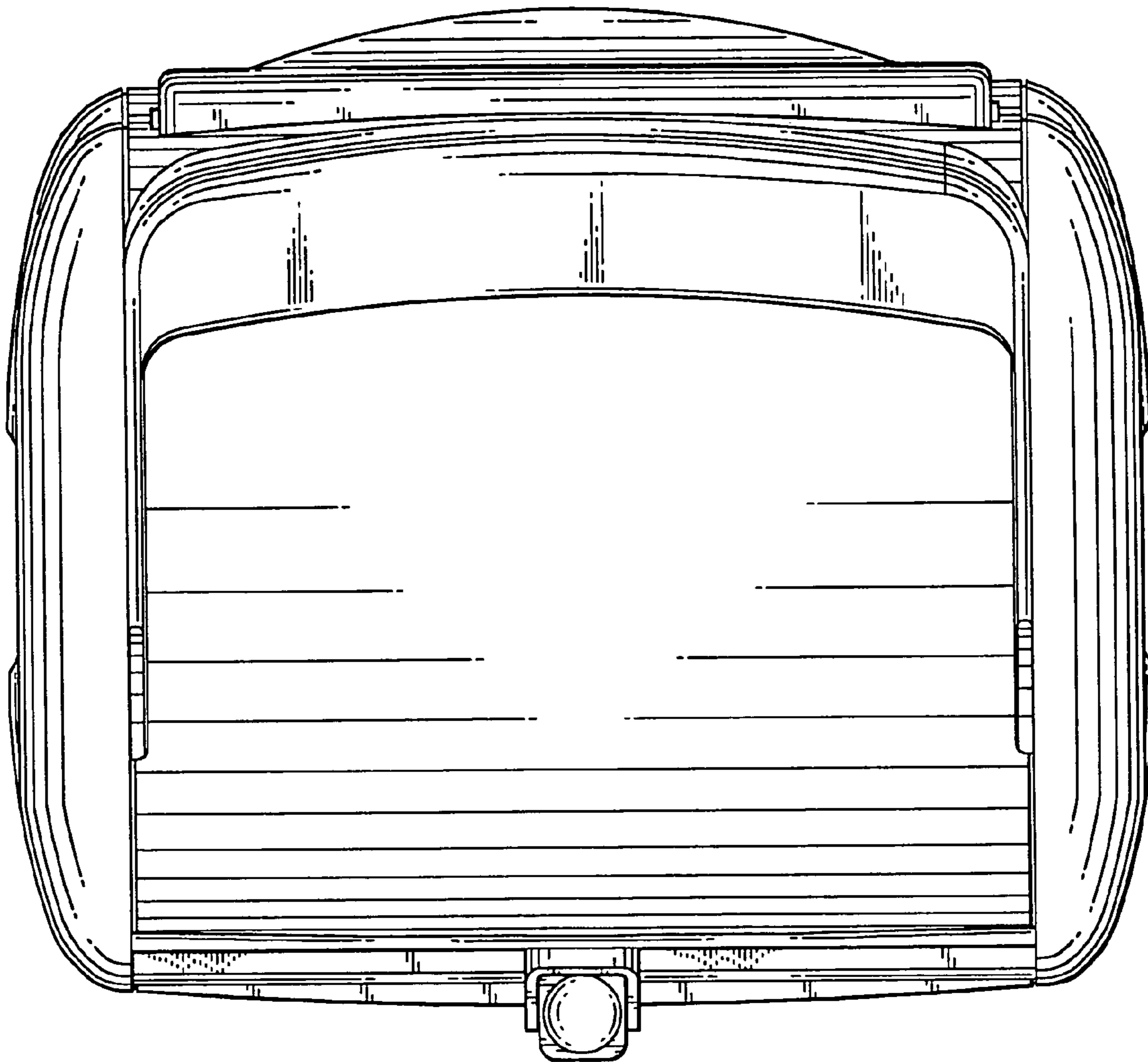


Fig. 3

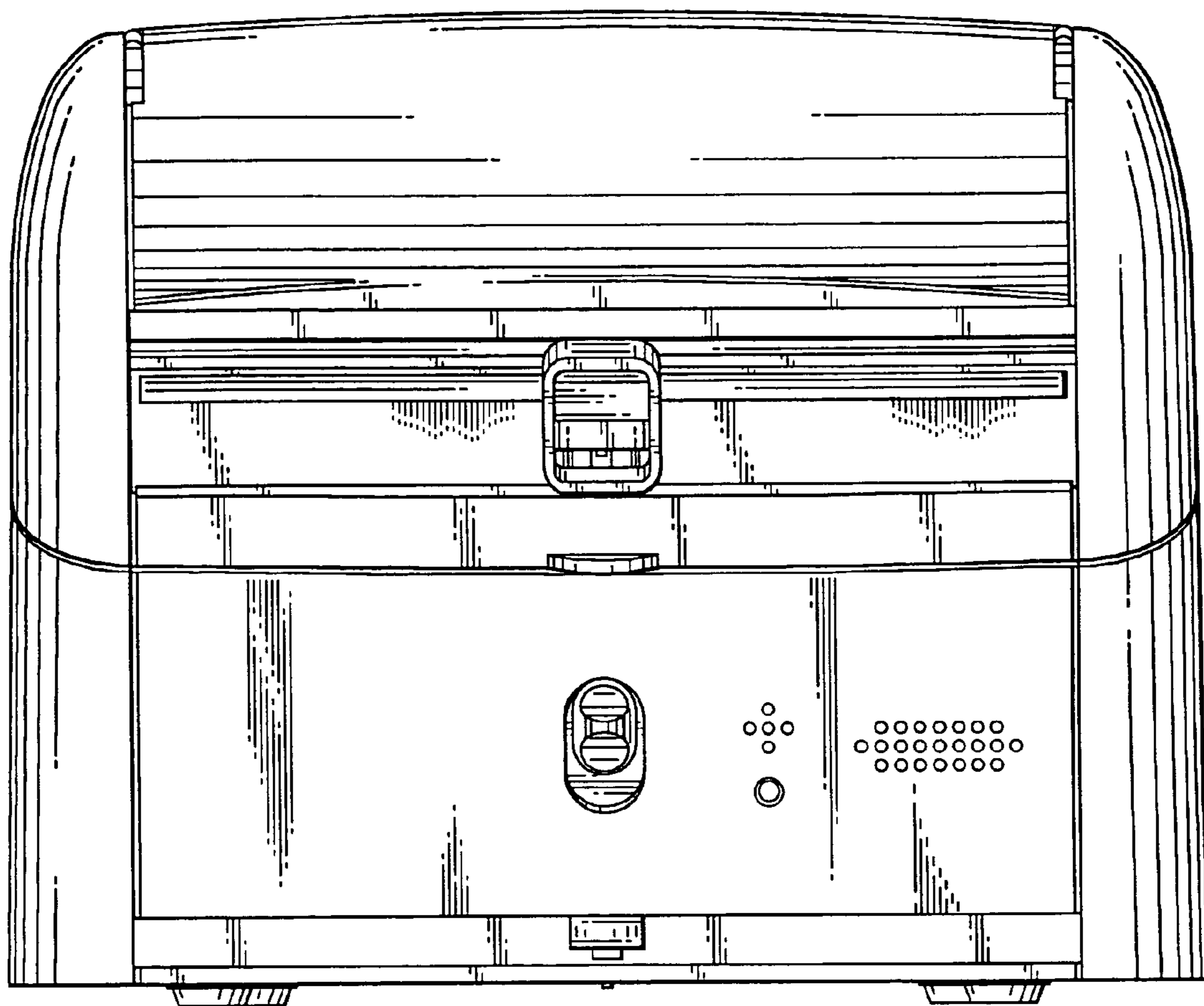


Fig. 4

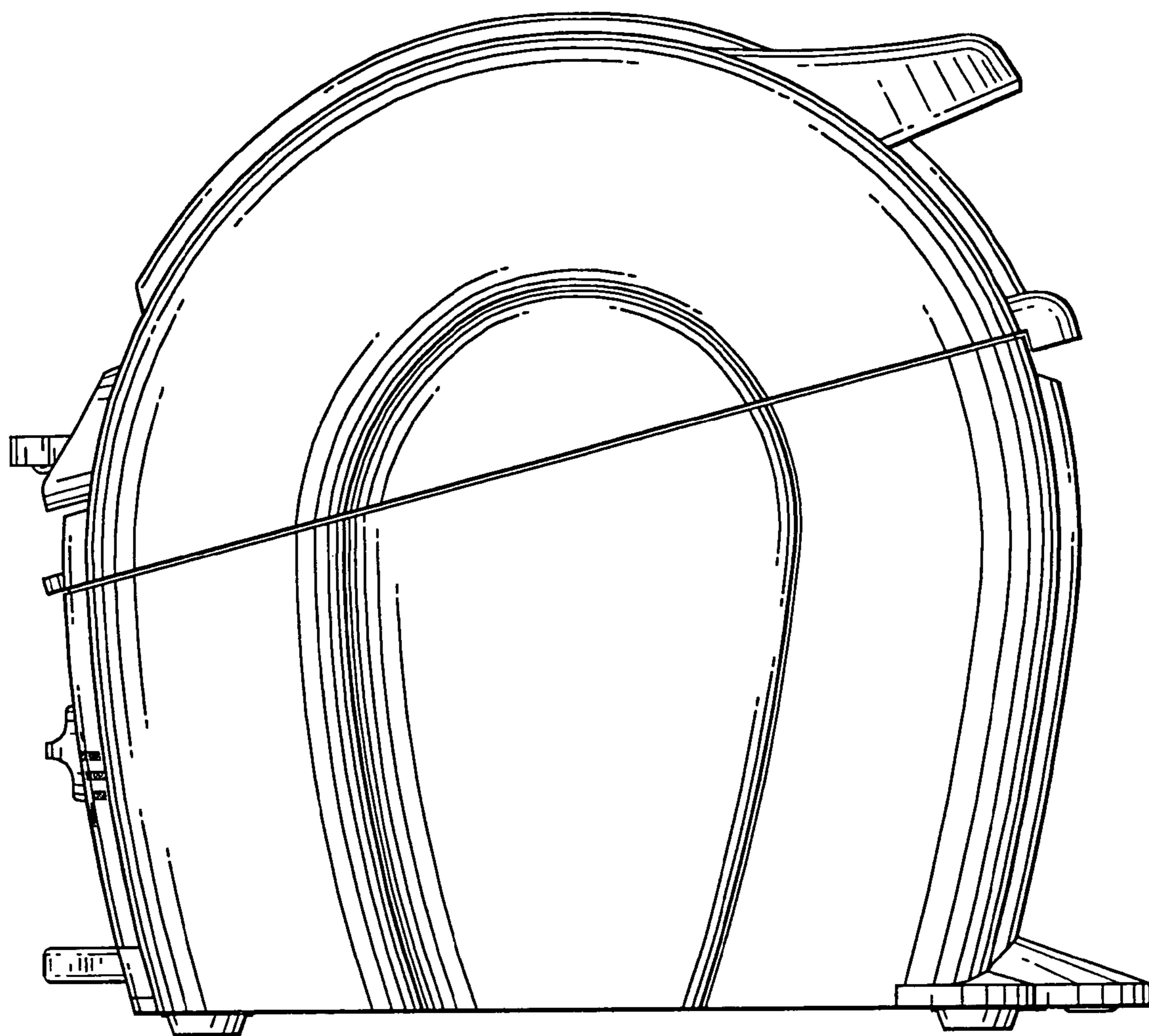


Fig. 5

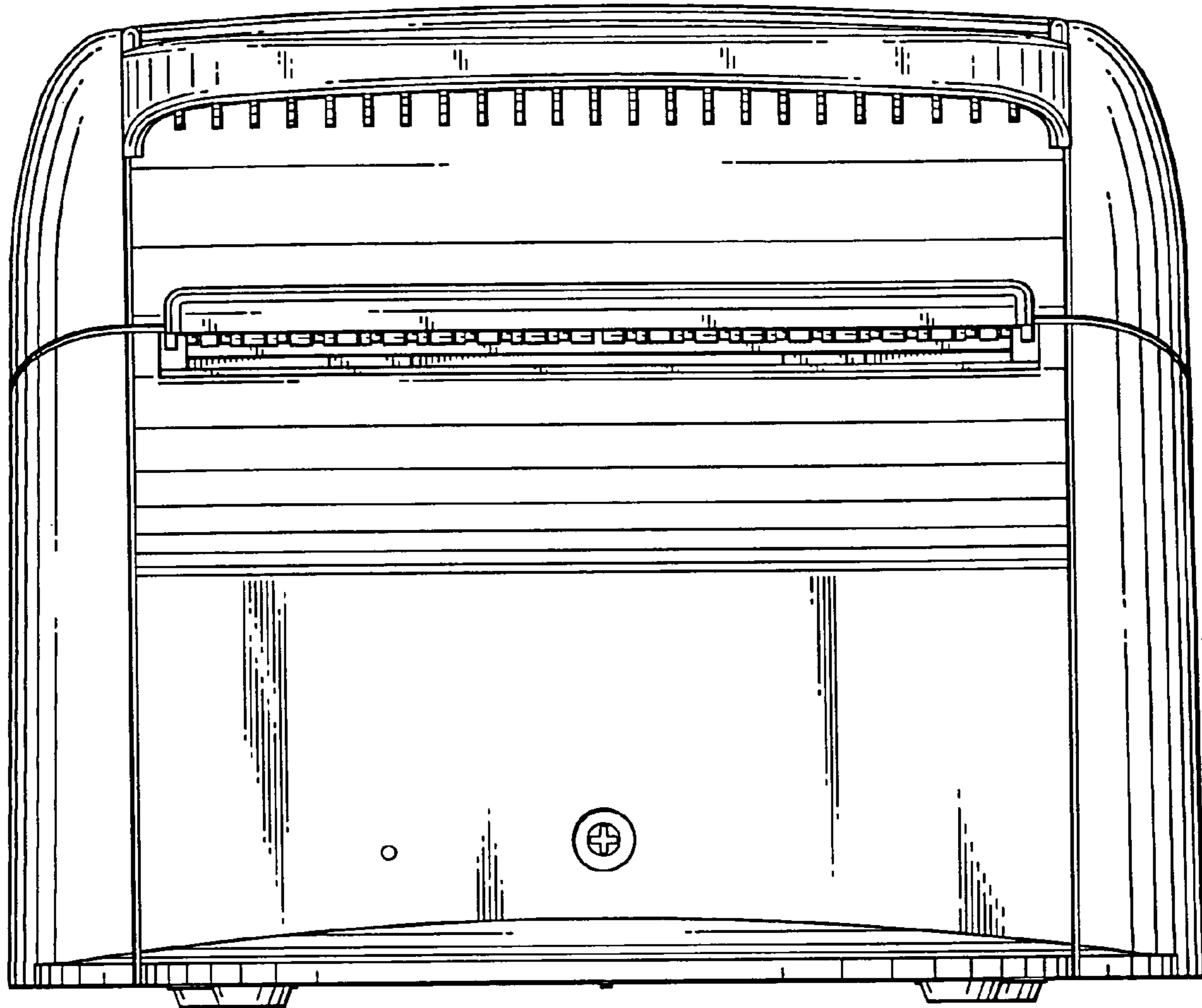


Fig. 6

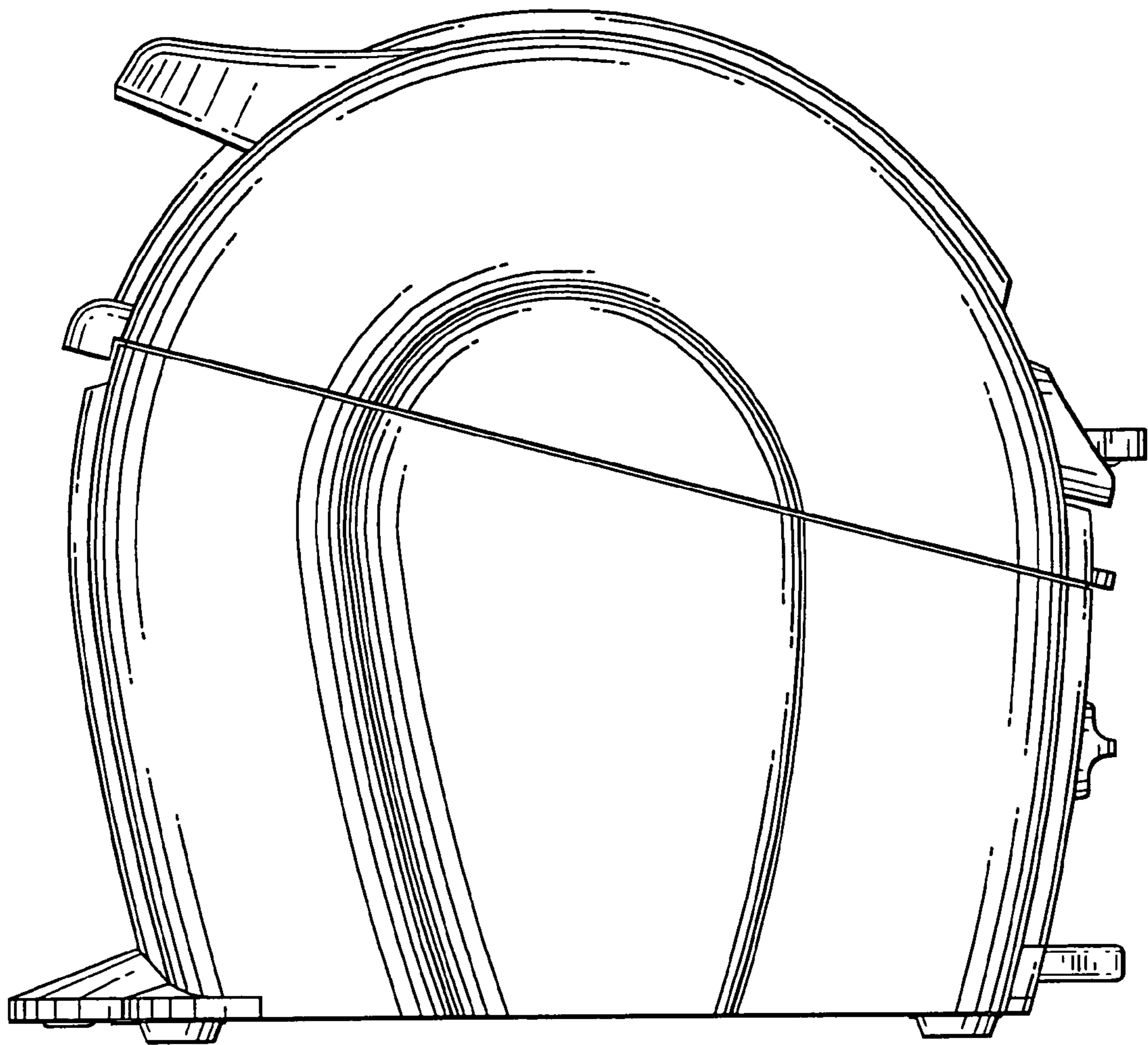


Fig. 7

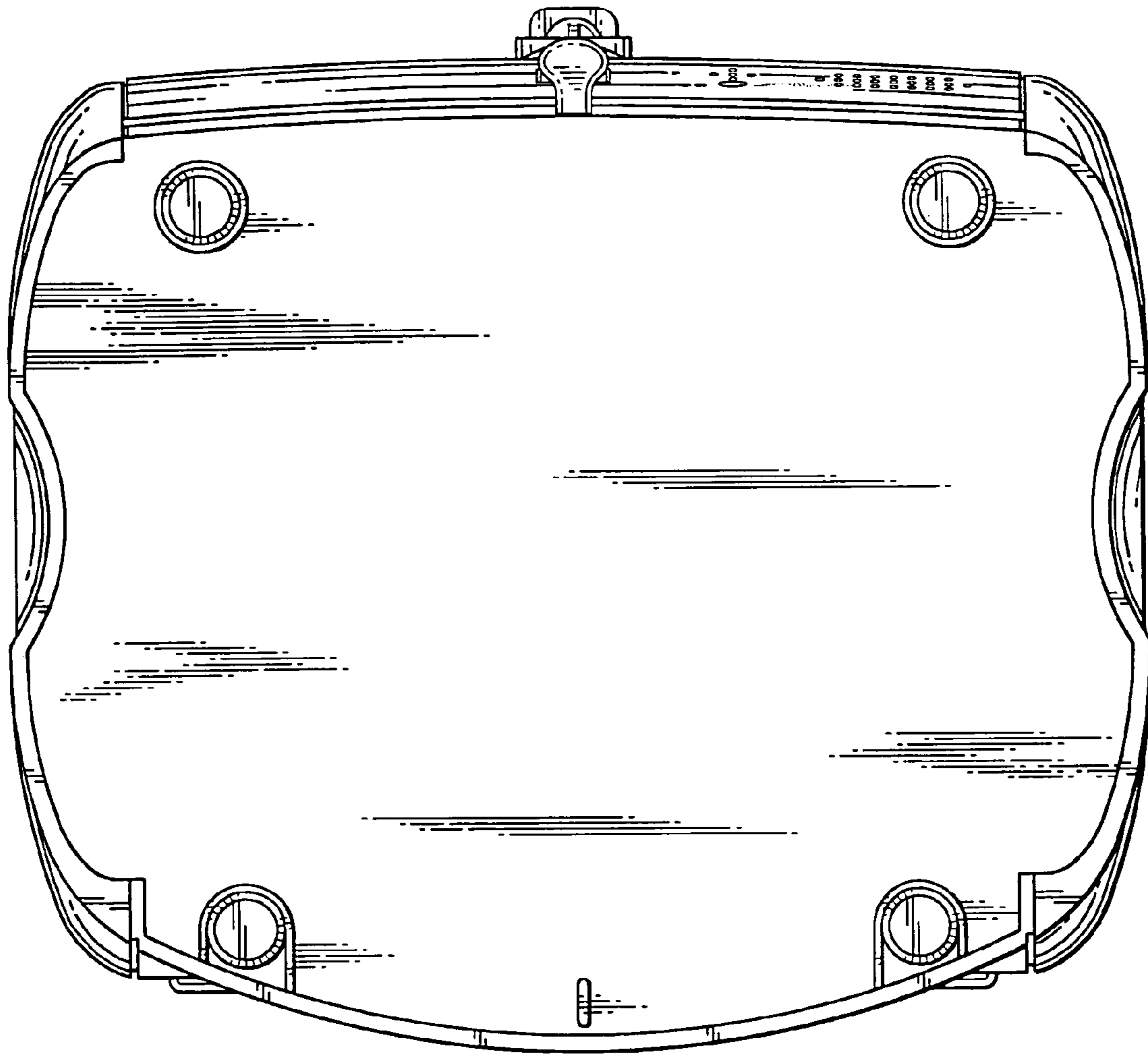


Fig. 8