



US00D563138S

(12) **United States Design Patent**
Kramer

(10) **Patent No.:** **US D563,138 S**
(45) **Date of Patent:** **** Mar. 4, 2008**

(54) **WIRE CORNER CADDY**

(75) Inventor: **Todd Kramer**, Marlton, NJ (US)

(73) Assignee: **Zenith Products Corp.**, New Castle, DE (US)

(**) Term: **14 Years**

(21) Appl. No.: **29/278,360**

(22) Filed: **Mar. 27, 2007**

(51) **LOC (8) Cl.** **06-04**

(52) **U.S. Cl.** **D6/562; D6/566**

(58) **Field of Classification Search** D6/562,
D6/566, 524, 525; 211/13.1, 181.1, 41.3,
211/41.4, 71.01, 74, 75, 87.01, 88.01, 88.03,
211/90.01, 90.03, 126.1, 126.9, 134
See application file for complete search history.

(56) **References Cited**

U.S. PATENT DOCUMENTS

D421,692 S *	3/2000	Wojtowicz et al.	D6/525
D421,867 S *	3/2000	Carville et al.	D6/562
D443,162 S *	6/2001	Winter	D6/570
D462,552 S *	9/2002	Emery et al.	D6/525

OTHER PUBLICATIONS

Photographic image, corner caddy, 1 page.

* cited by examiner

Primary Examiner—Brian N Vinson

(74) *Attorney, Agent, or Firm*—Panitch Schuarze Belisario & Nadel LLP

(57) **CLAIM**

The ornamental design for a wire corner caddy, as shown and described.

DESCRIPTION

FIG. 1 is a front elevation view of a wire corner caddy in accordance with my new design;

FIG. 2 is a rear elevation view thereof;

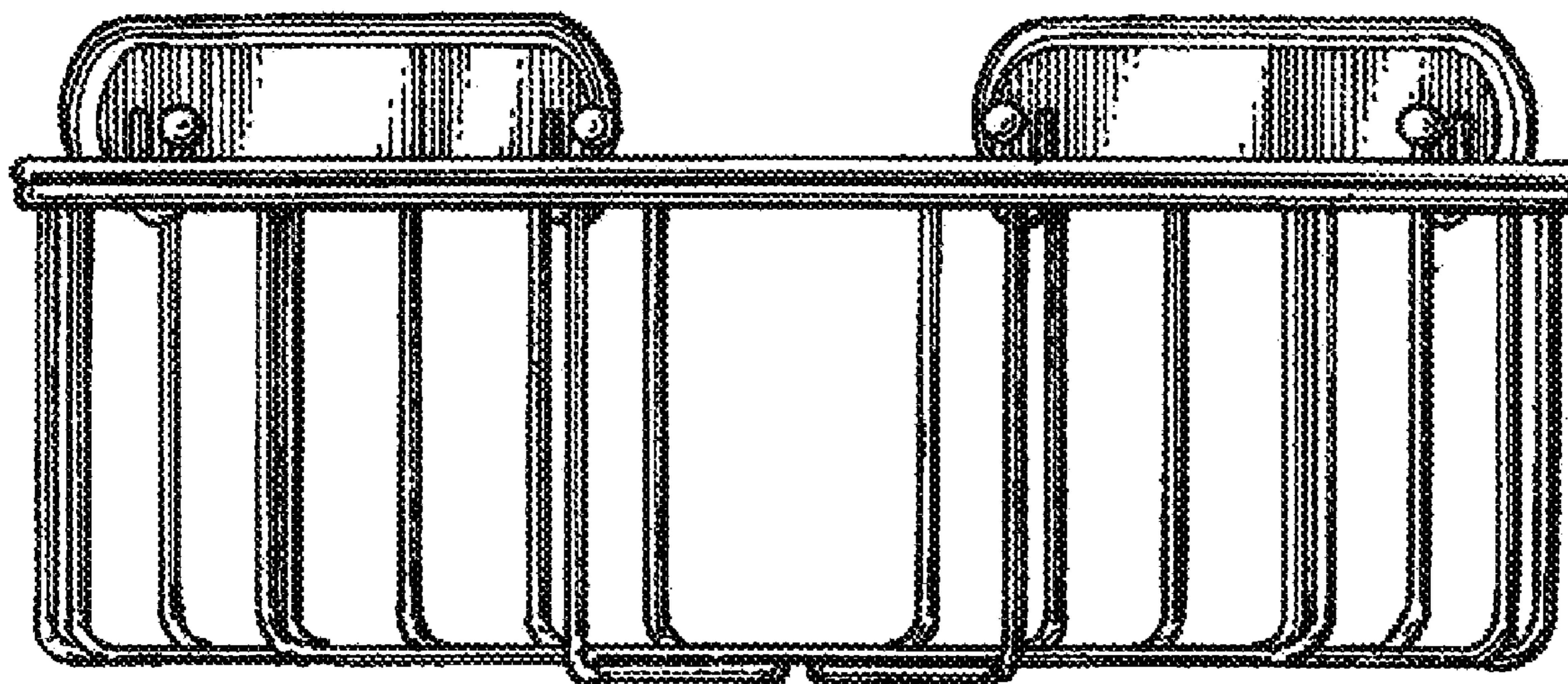
FIG. 3 is a top plan view thereof;

FIG. 4 is a bottom plan view thereof;

FIG. 5 is a right side elevation view thereof, with the left side being a mirror image; and,

FIG. 6 is a front right side perspective view thereof.

1 Claim, 2 Drawing Sheets



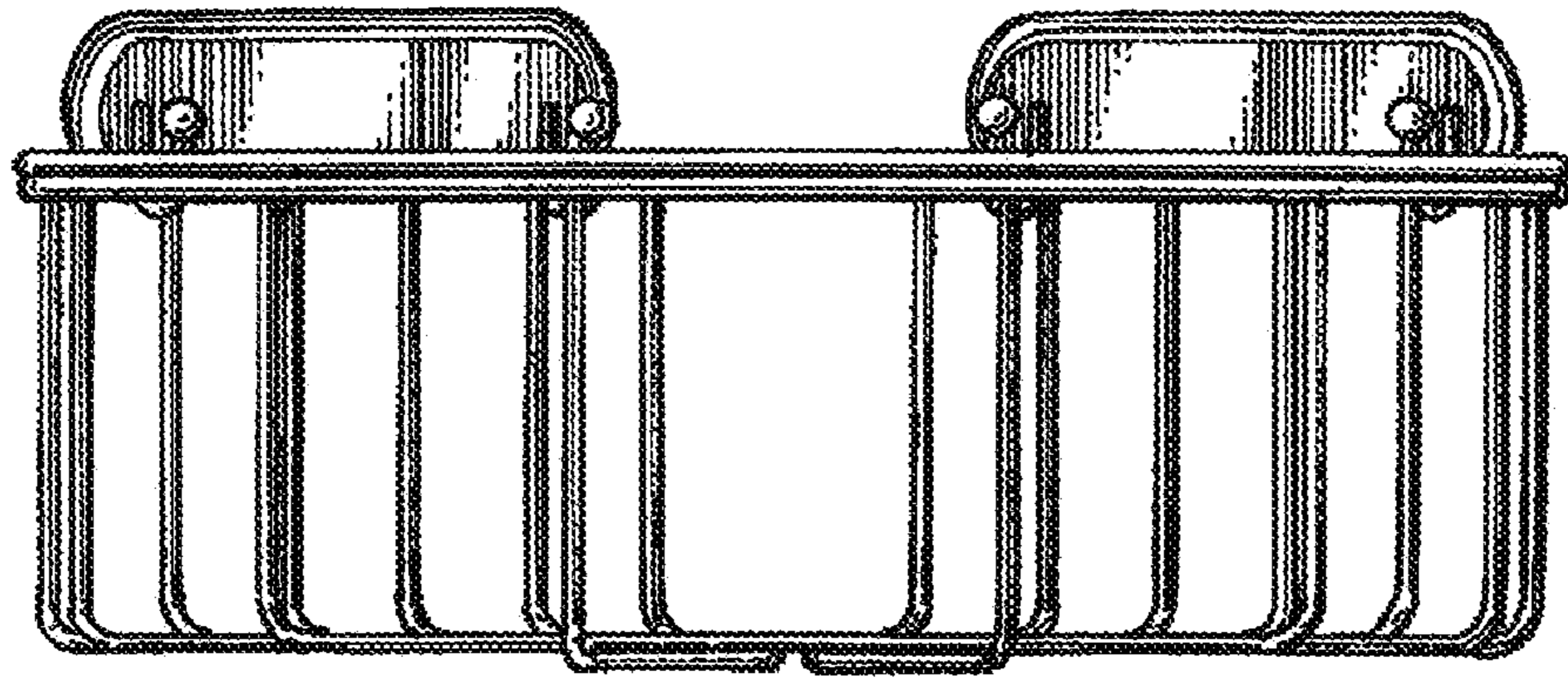


FIG. 1

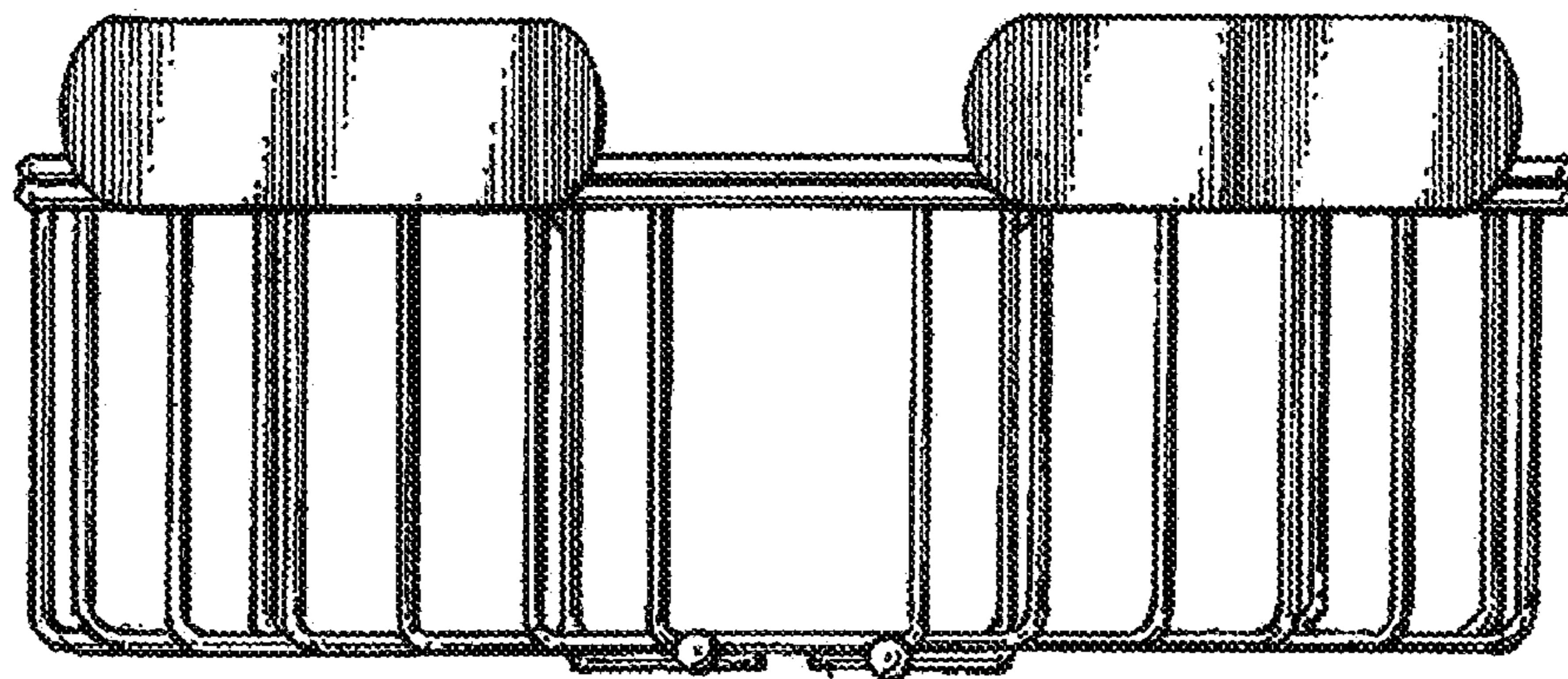


FIG. 2

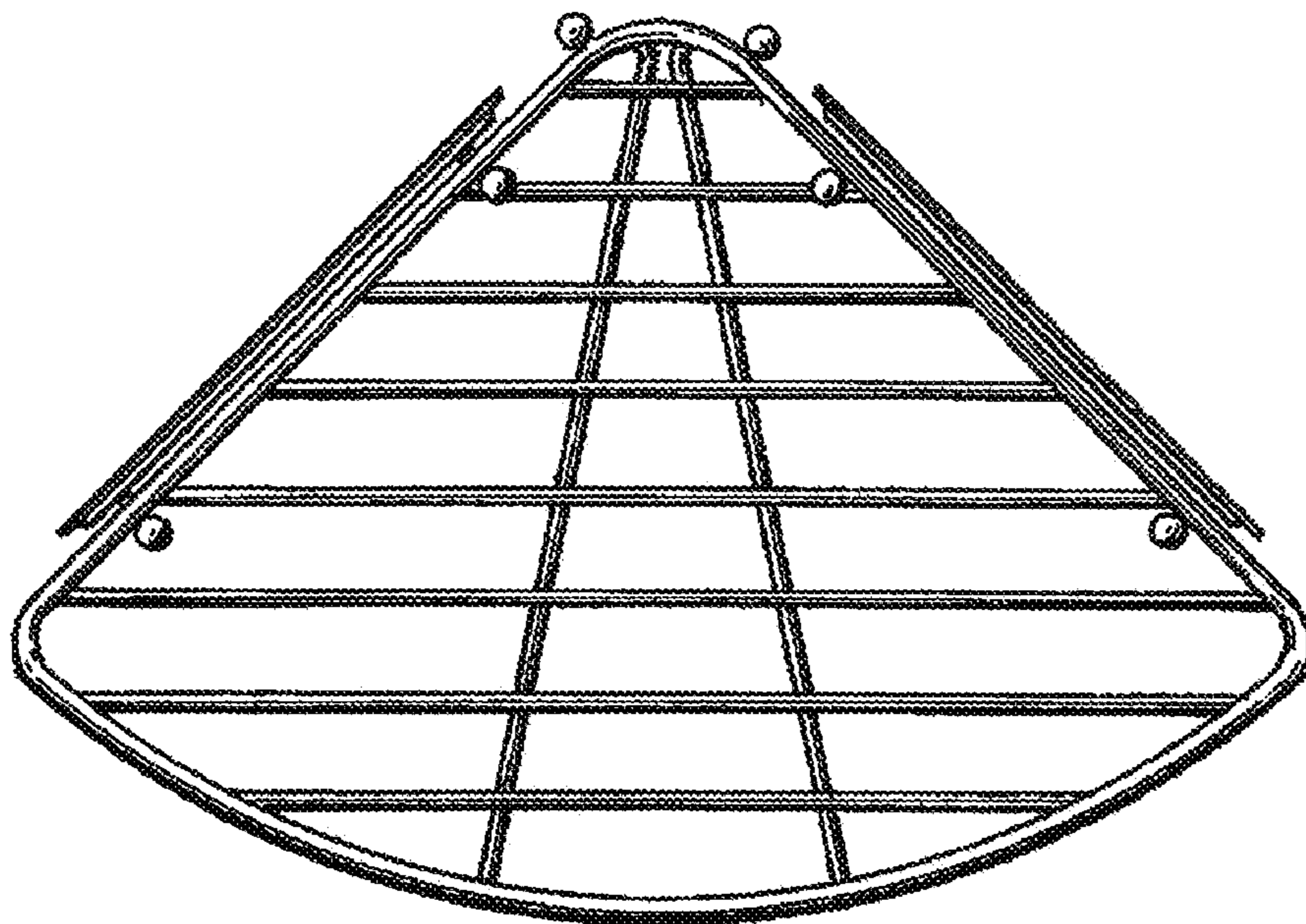


FIG. 3

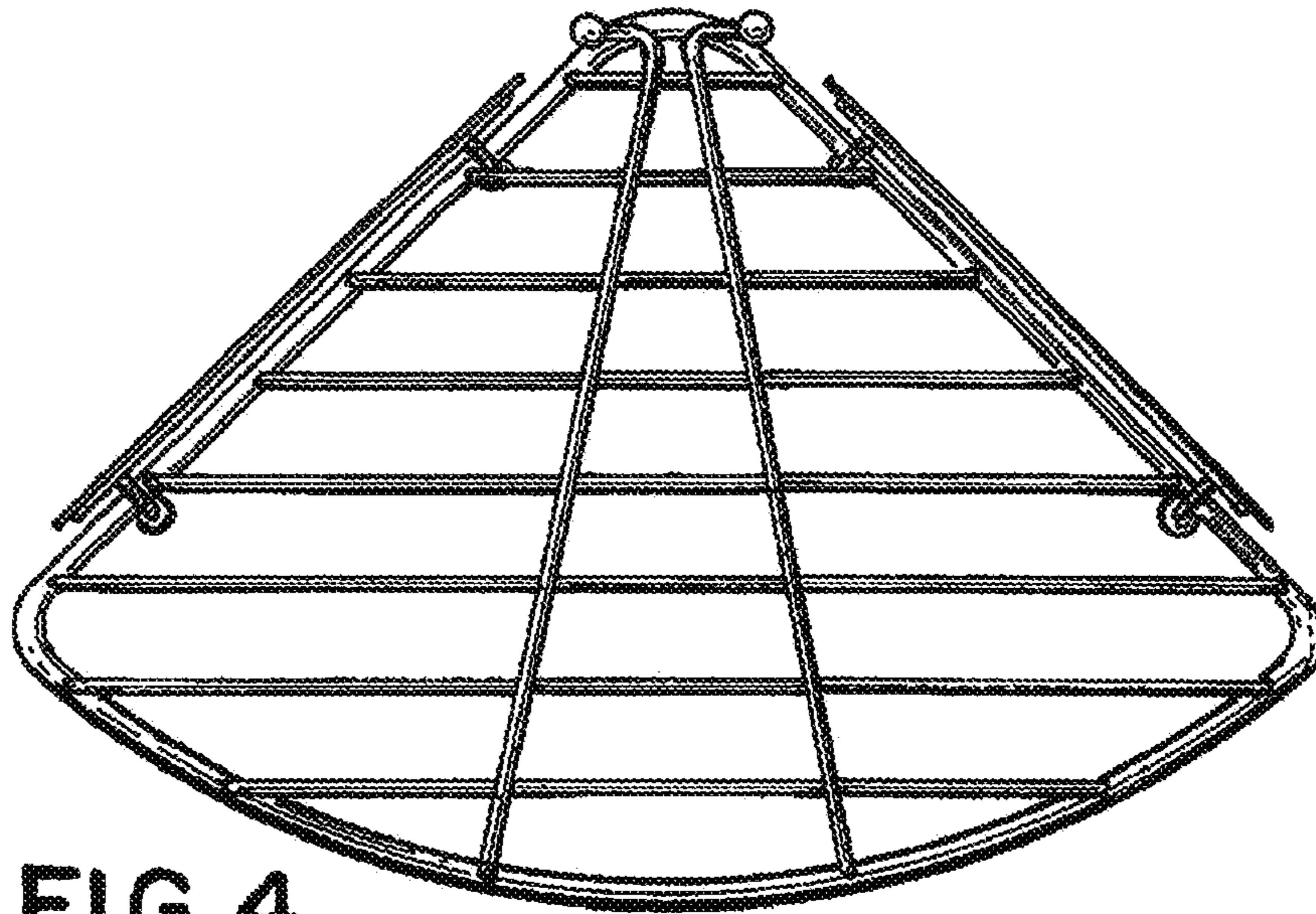


FIG. 4

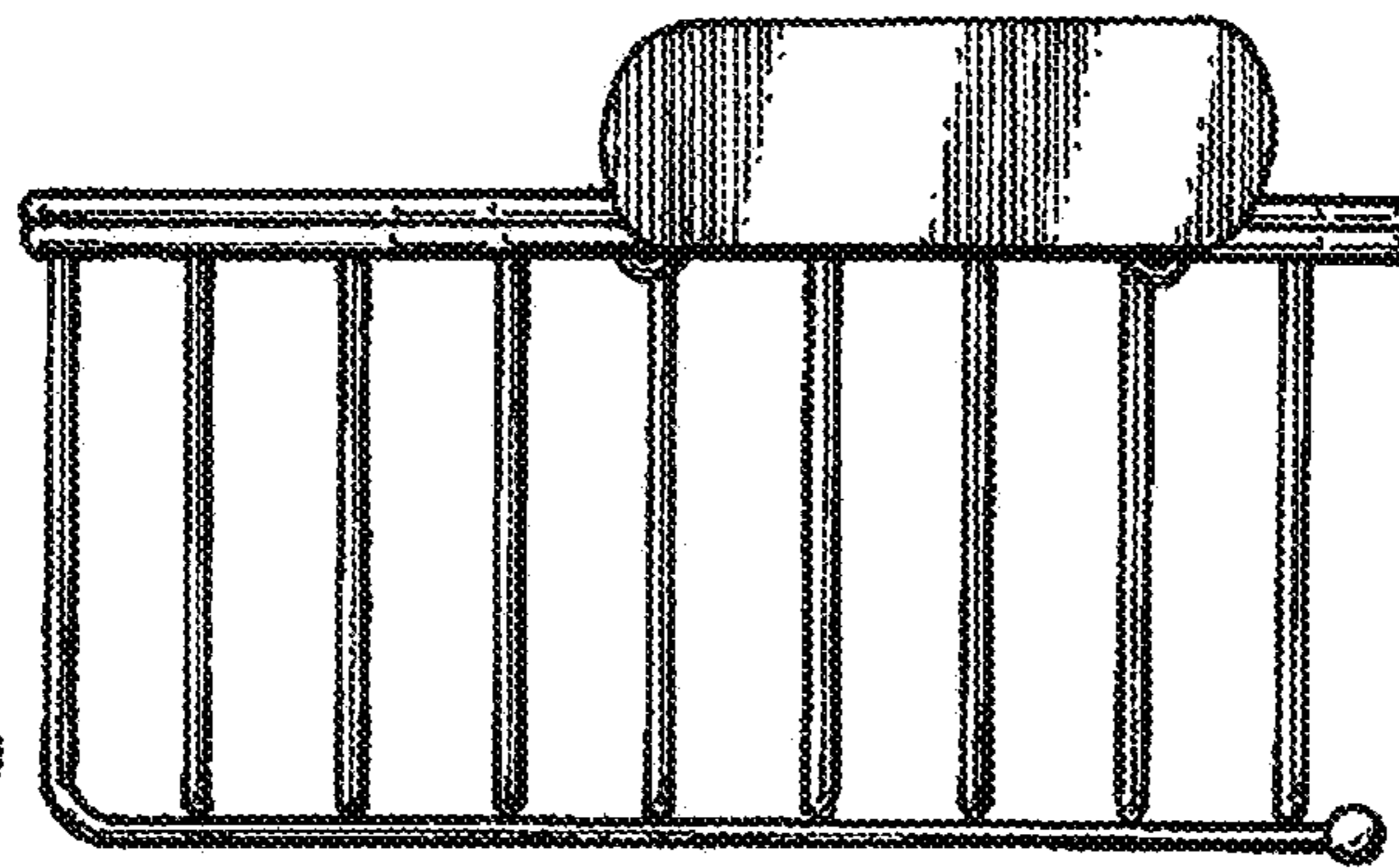


FIG. 5

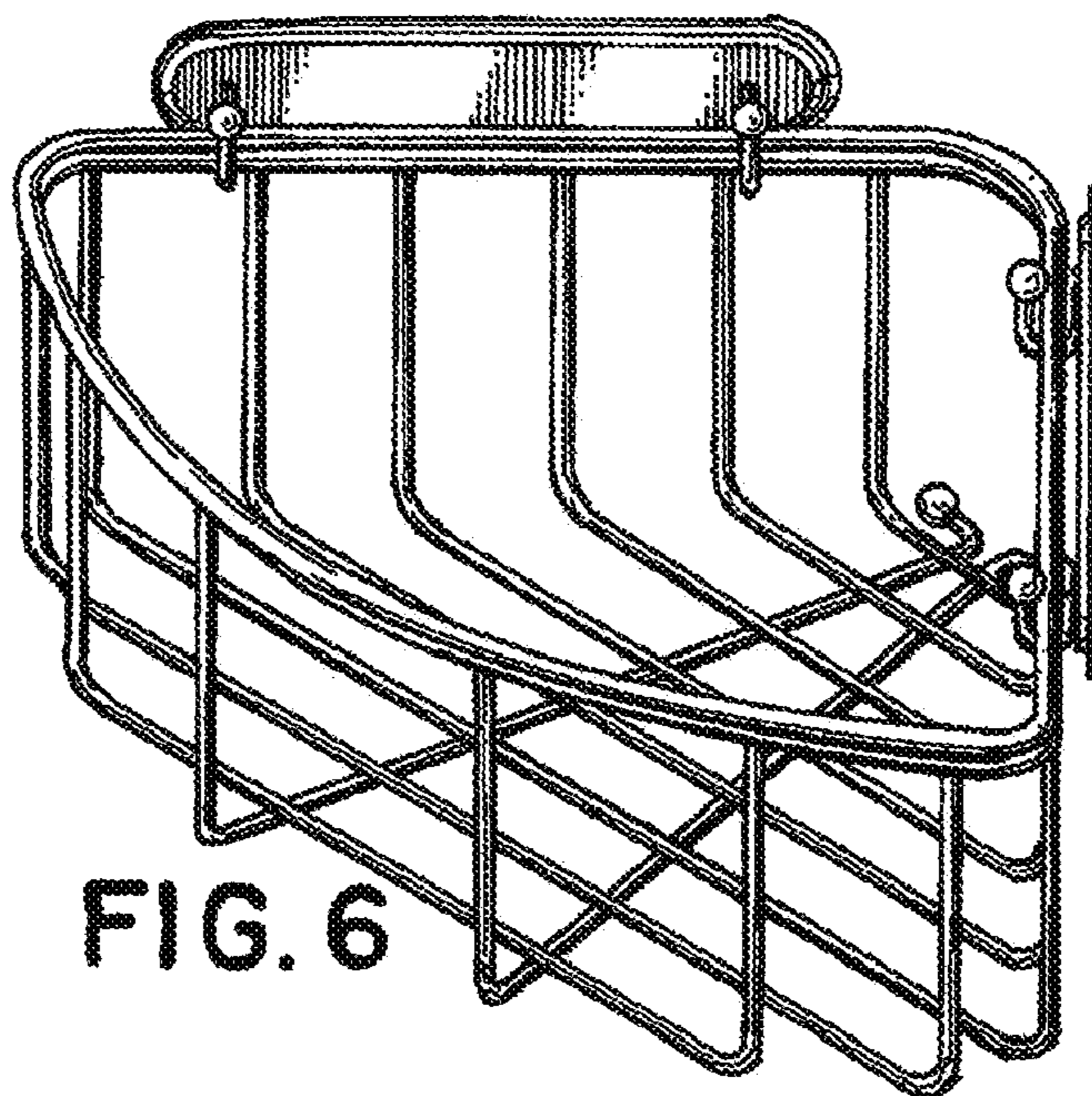


FIG. 6