

US00D563136S

(12) **United States Design Patent**
Kramer

(10) **Patent No.:** **US D563,136 S**
(45) **Date of Patent:** **** Mar. 4, 2008**

(54) **VANITY CADDY**

(75) Inventor: **Todd Kramer**, Marlton, NJ (US)

(73) Assignee: **Zenith Products Corp.**, New Castle, DE (US)

(**) Term: **14 Years**

(21) Appl. No.: **29/277,539**

(22) Filed: **Mar. 1, 2007**

(51) **LOC (8) Cl.** **06-04**

(52) **U.S. Cl.** **D6/553**

(58) **Field of Classification Search** D6/553,
D6/567; D19/65, 75, 77, 78, 86-91, 99-100;
211/10, 11, 13.1, 44-50, 119.005, 87.01,
211/88.01, 126.13, 126.16; 229/405, 928
See application file for complete search history.

(56) **References Cited**

U.S. PATENT DOCUMENTS

- D486,185 S * 2/2004 Sheldon et al. D6/553
- D534,024 S * 12/2006 Dretzka D6/567
- D535,842 S * 1/2007 Wood D6/567
- D544,272 S * 6/2007 Chen et al. D6/553

OTHER PUBLICATIONS

Photographic image, 1 page.

* cited by examiner

Primary Examiner—Brian N Vinson

(74) *Attorney, Agent, or Firm*—Panitch Schwarze Belisario & Nadel LLP

(57) **CLAIM**

The ornamental design for a vanity caddy, as shown and described.

DESCRIPTION

FIG. 1 is a perspective view of a vanity caddy in accordance with my new design;

FIG. 2 is a right side view thereof with the left side view being a mirror image;

FIG. 3 is a top plan view thereof;

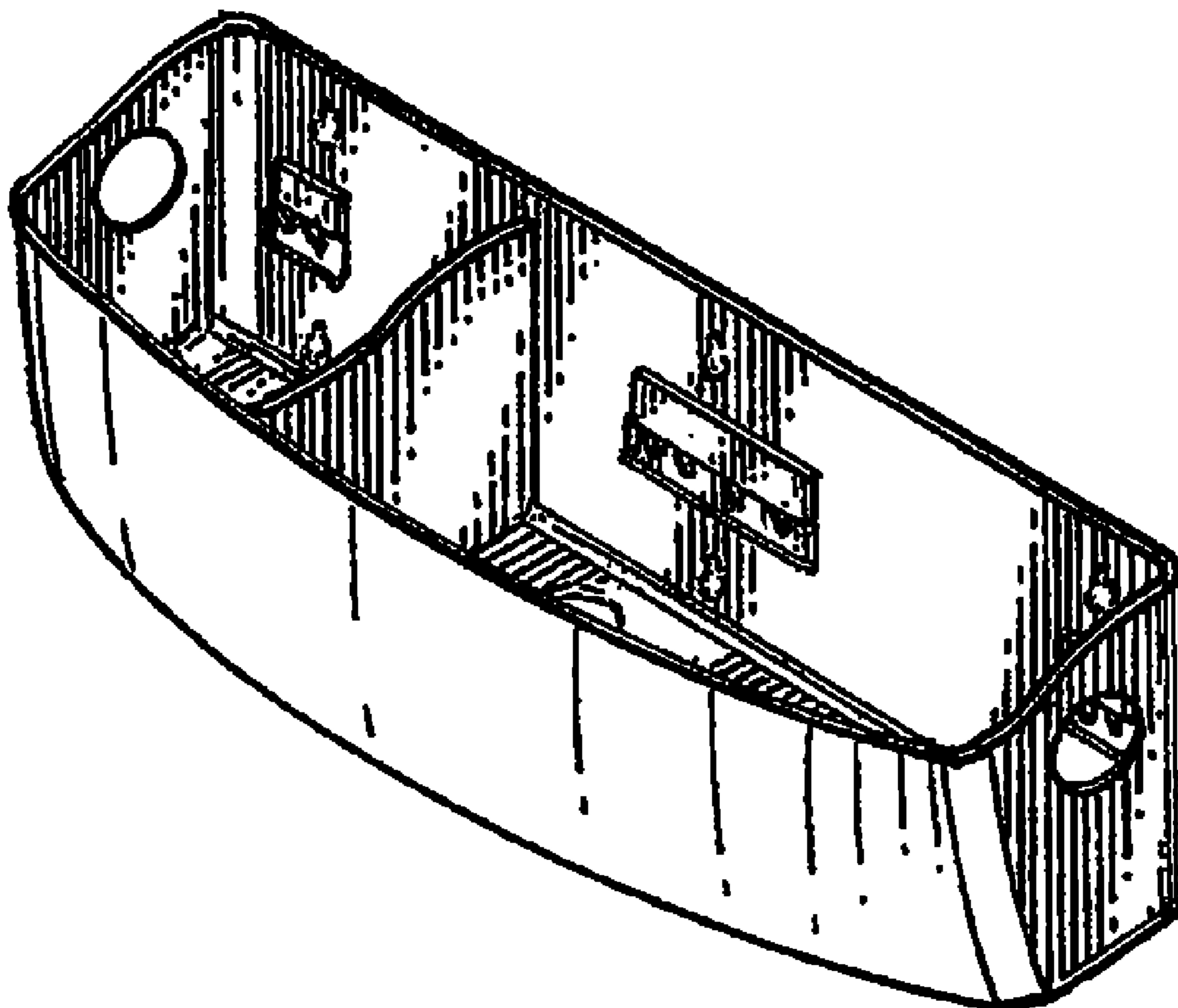
FIG. 4 is a bottom plan view thereof;

FIG. 5 is a front view thereof; and,

FIG. 6 is a rear view thereof.

The broken lines in the figures are for illustrative purposes only and form no part of the claimed design.

1 Claim, 1 Drawing Sheet



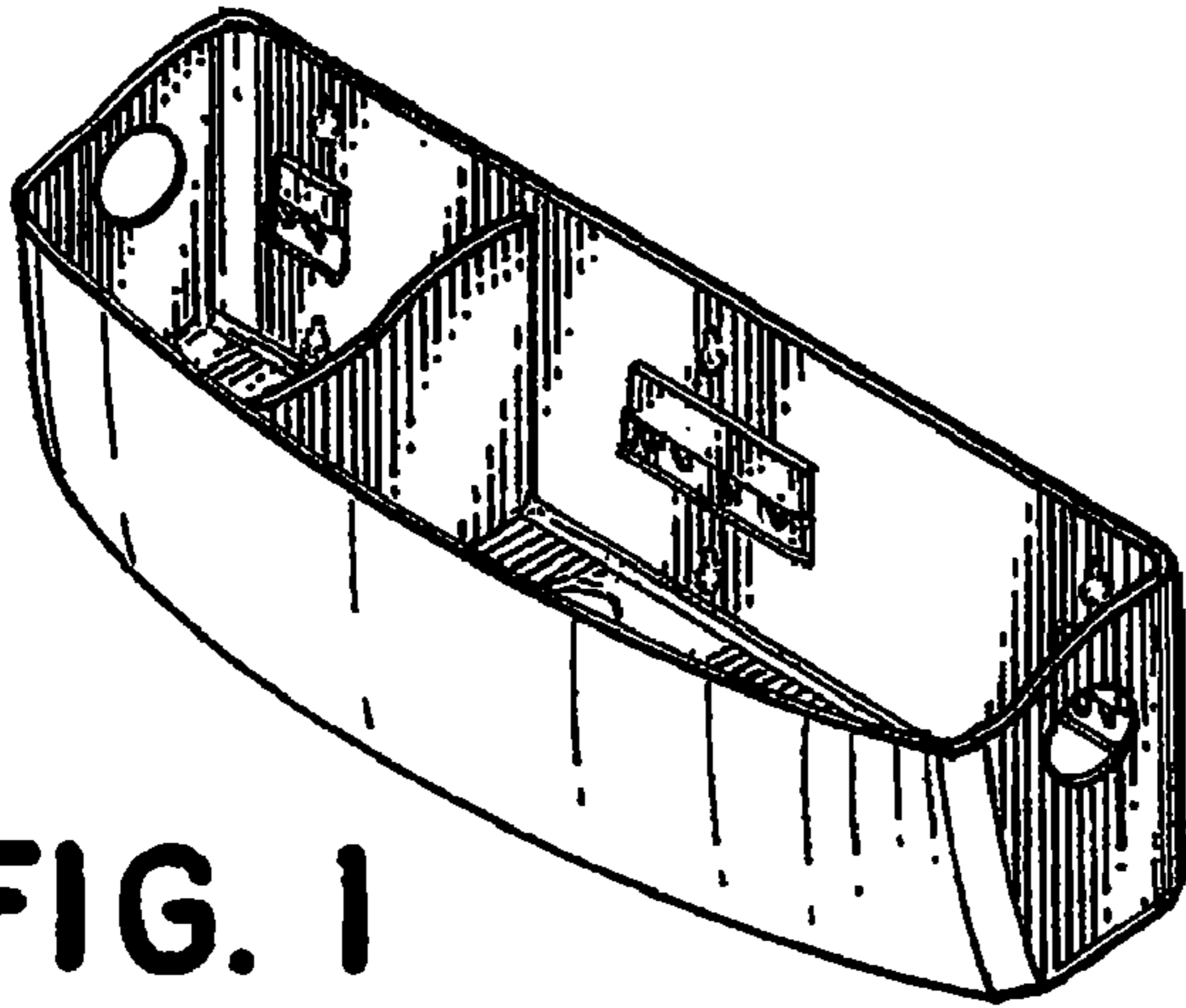


FIG. 1

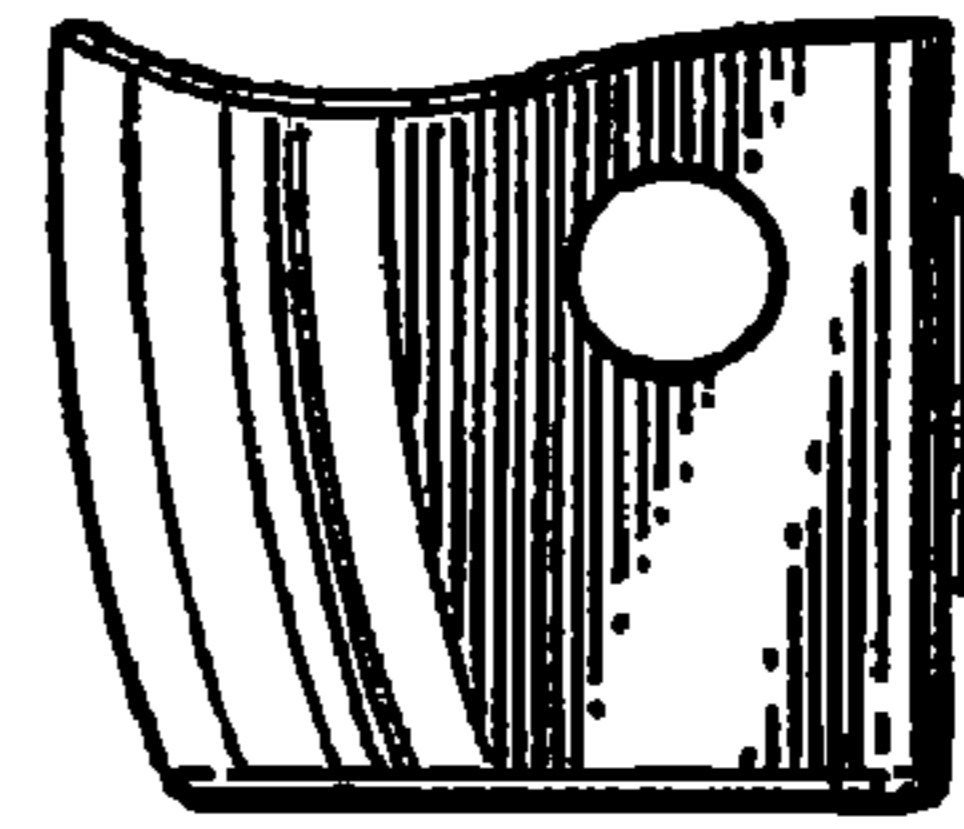


FIG. 2

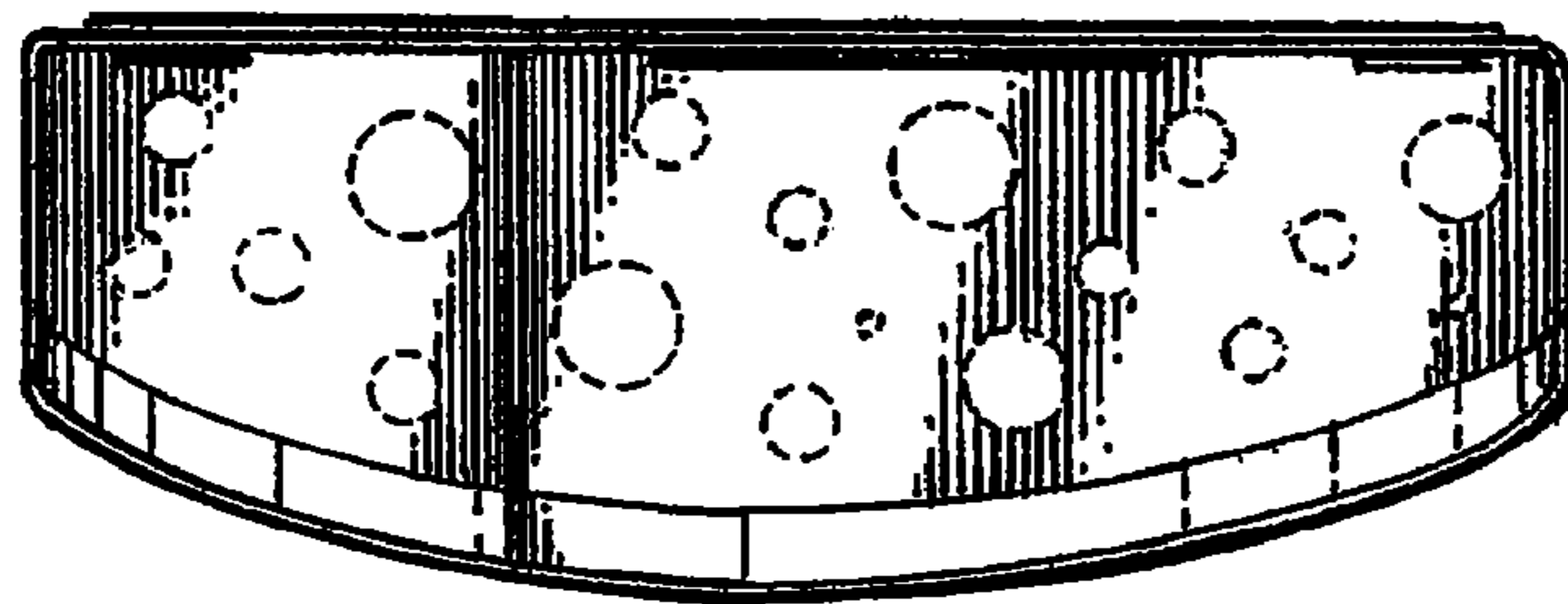


FIG. 3

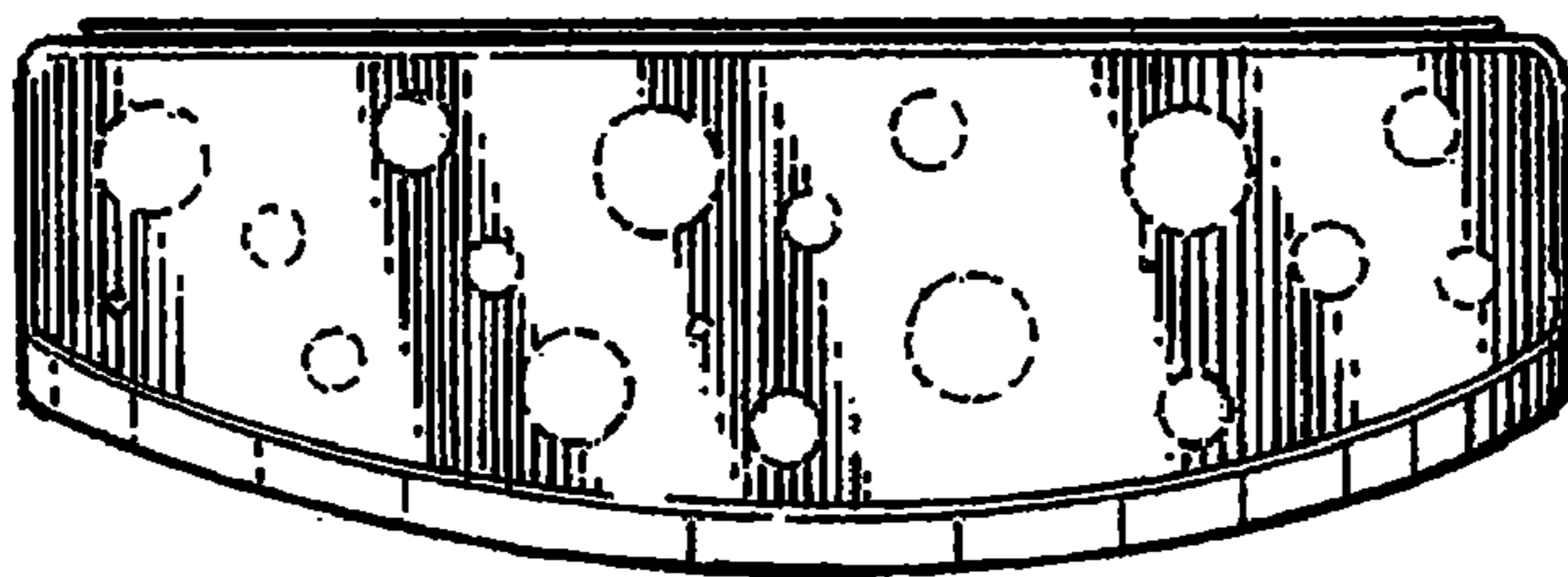


FIG. 4

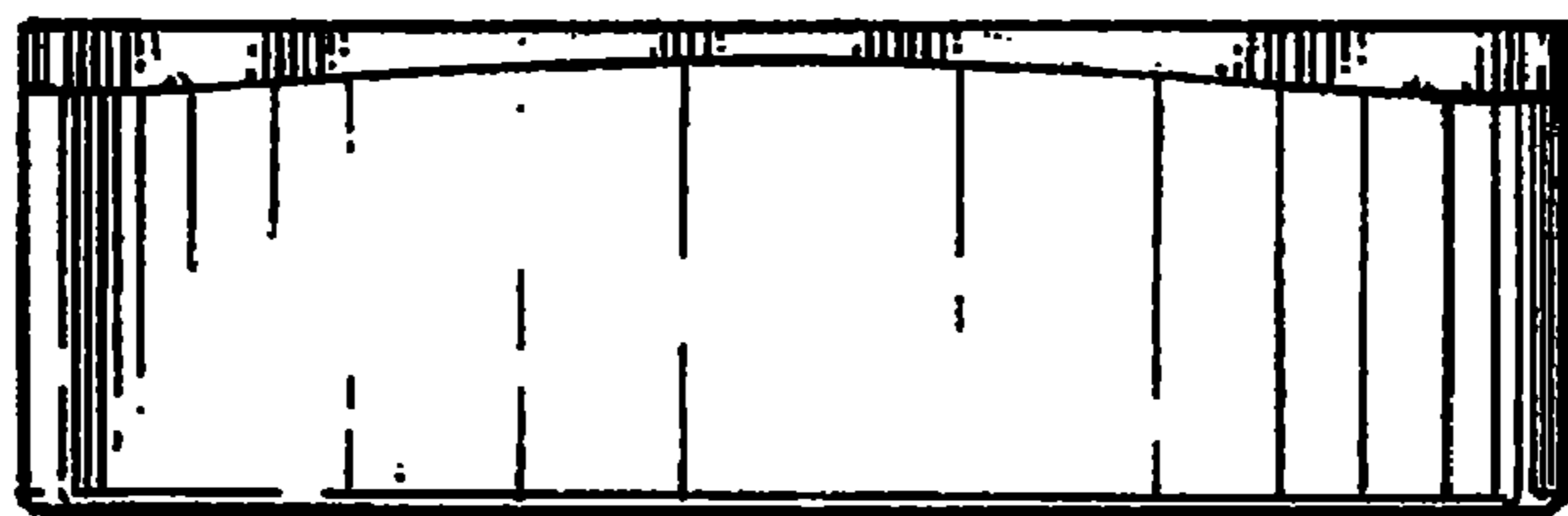


FIG. 5

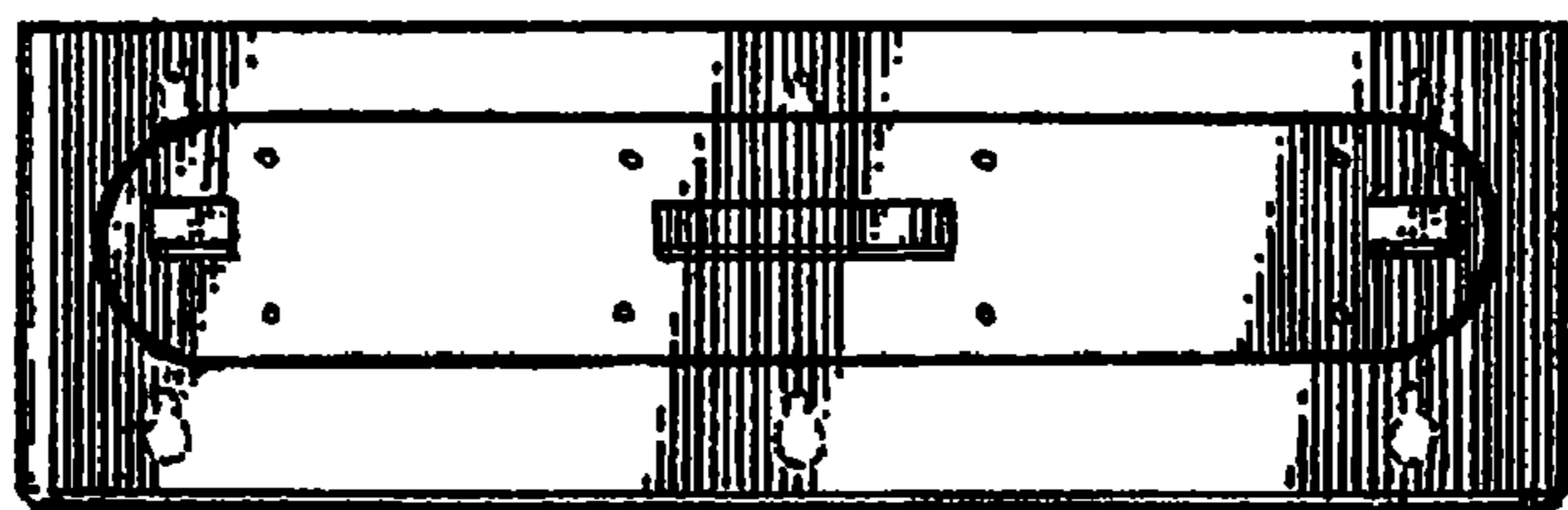


FIG. 6