

US00D563135S

(12) **United States Design Patent**  
**Lien**

(10) **Patent No.:** **US D563,135 S**

(45) **Date of Patent:** **\*\* Mar. 4, 2008**

(54) **DUMBBELL SHELF RACK**

D469,294 S \* 1/2003 Harms et al. .... D6/552  
D506,516 S \* 6/2005 Yang ..... D6/552

(75) Inventor: **Louis Lien**, Bellaire, TX (US)

(73) Assignee: **USA Sports, Inc.**, Houston, TX (US)

(\*\*) Term: **14 Years**

(21) Appl. No.: **29/279,043**

(22) Filed: **Apr. 18, 2007**

(51) **LOC (8) Cl.** ..... **08-08**

(52) **U.S. Cl.** ..... **D6/552**

(58) **Field of Classification Search** ..... D6/552;  
D21/691, 662, 686, 690; 482/104, 148; 211/85  
See application file for complete search history.

(56) **References Cited**

U.S. PATENT DOCUMENTS

D329,563 S \* 9/1992 Rasmussen ..... D6/552  
D362,776 S \* 10/1995 Thorn ..... D6/552  
5,630,776 A \* 5/1997 Yang ..... 482/104  
D424,141 S \* 5/2000 Eckmann ..... D6/552  
D468,946 S \* 1/2003 Harms et al. .... D6/552

\* cited by examiner

*Primary Examiner*—Brian N Vinson

(74) *Attorney, Agent, or Firm*—Nick A. Nichols, Jr.

(57) **CLAIM**

The ornamental design for a dumbbell shelf rack, as shown and described.

**DESCRIPTION**

FIG. 1 is a perspective view of a dumbbell shelf rack showing my new design;

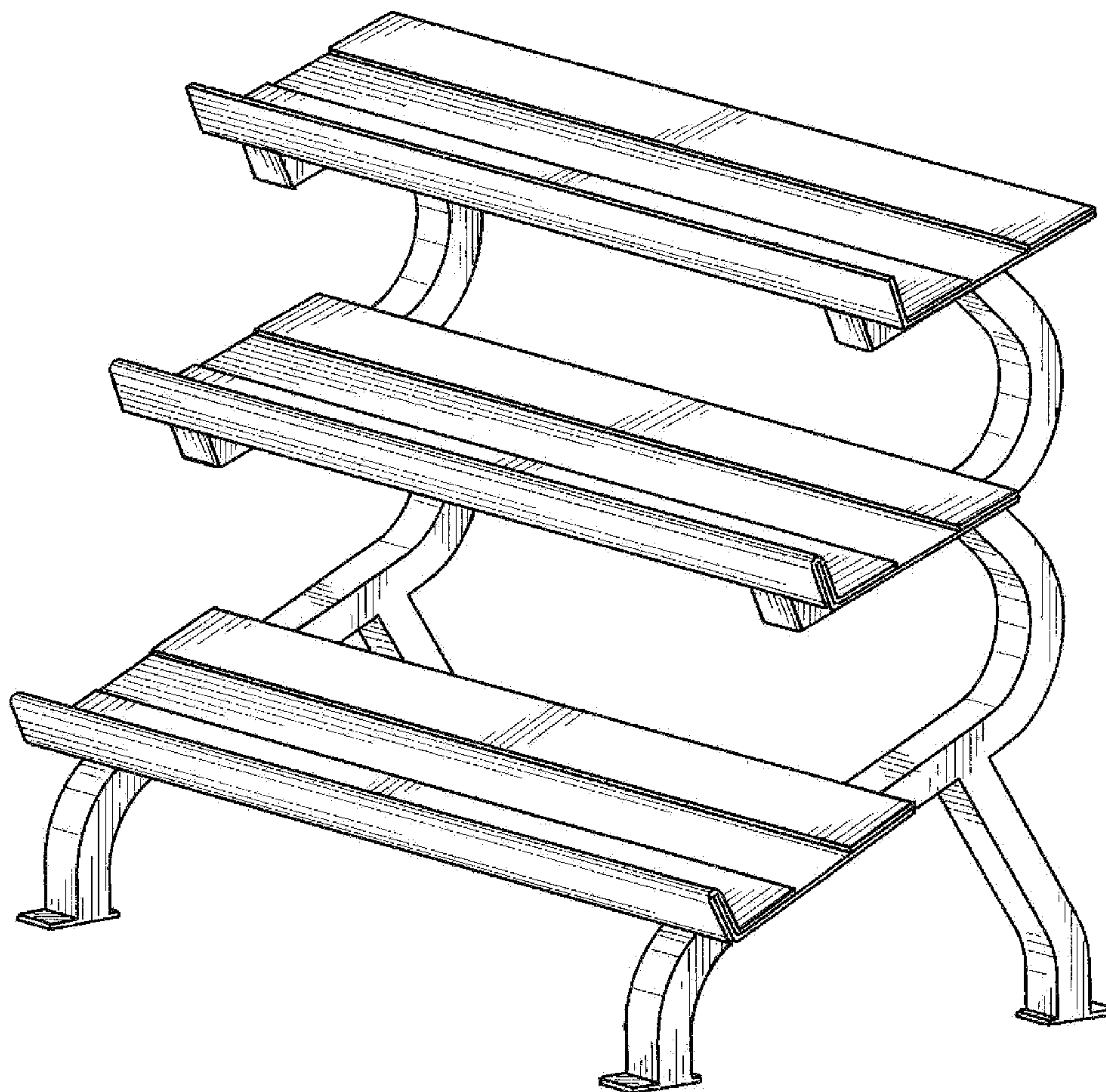
FIG. 2 is a side view thereof, the opposite side being a mirror image;

FIG. 3 is a top view thereof;

FIG. 4 is a front view thereof; and,

FIG. 5 is a back view thereof.

**1 Claim, 3 Drawing Sheets**



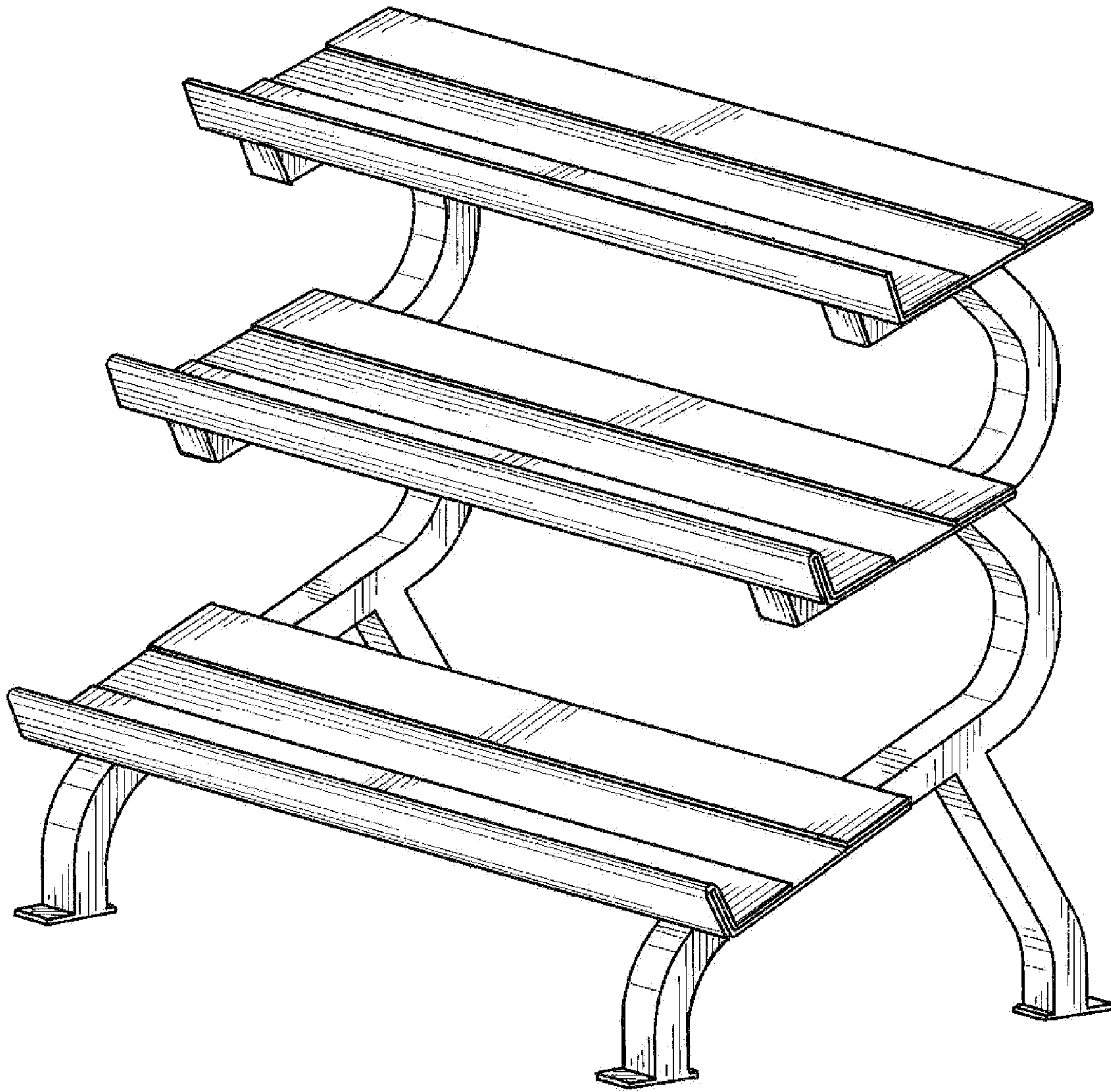


FIG. 1

FIG. 2

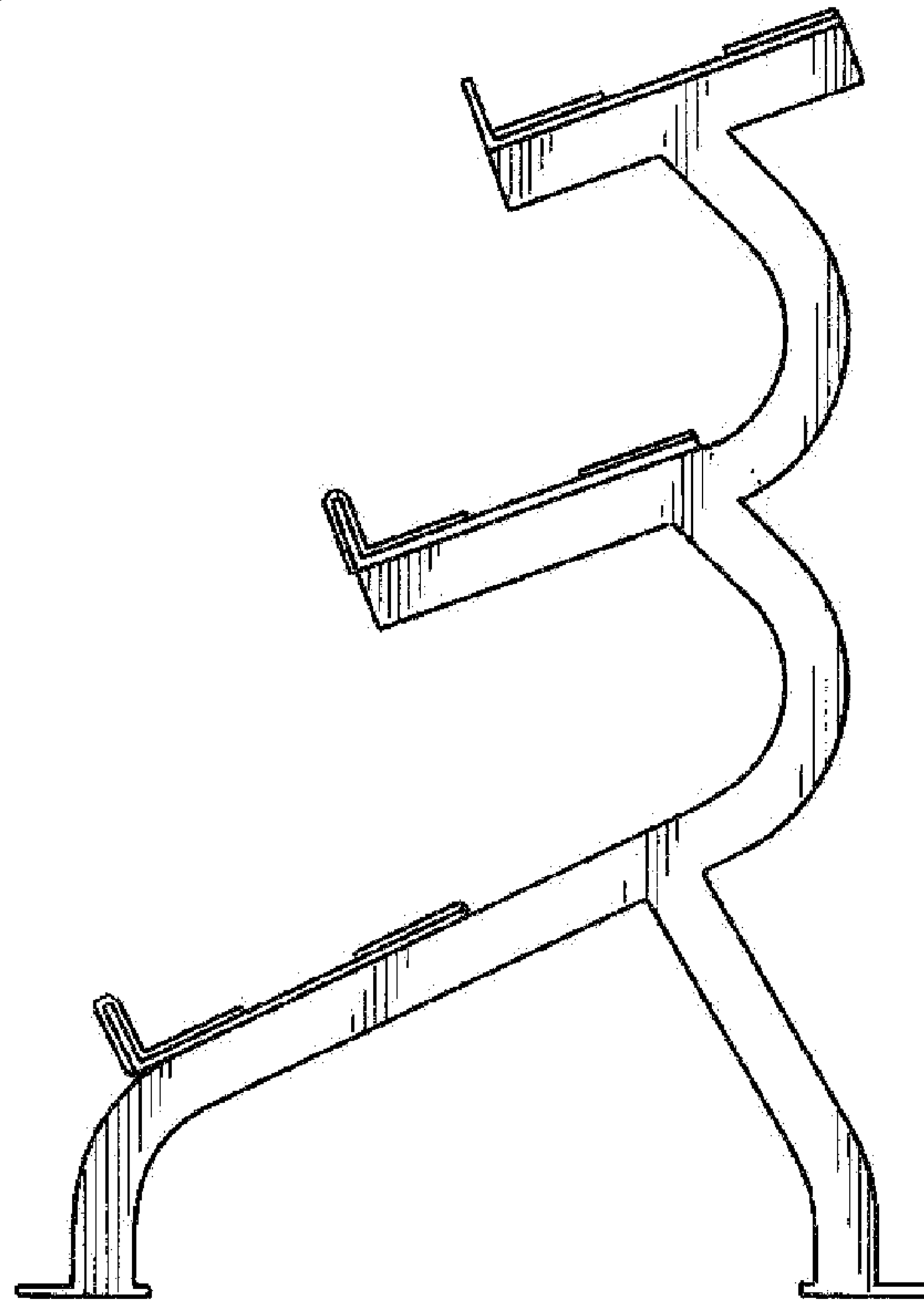
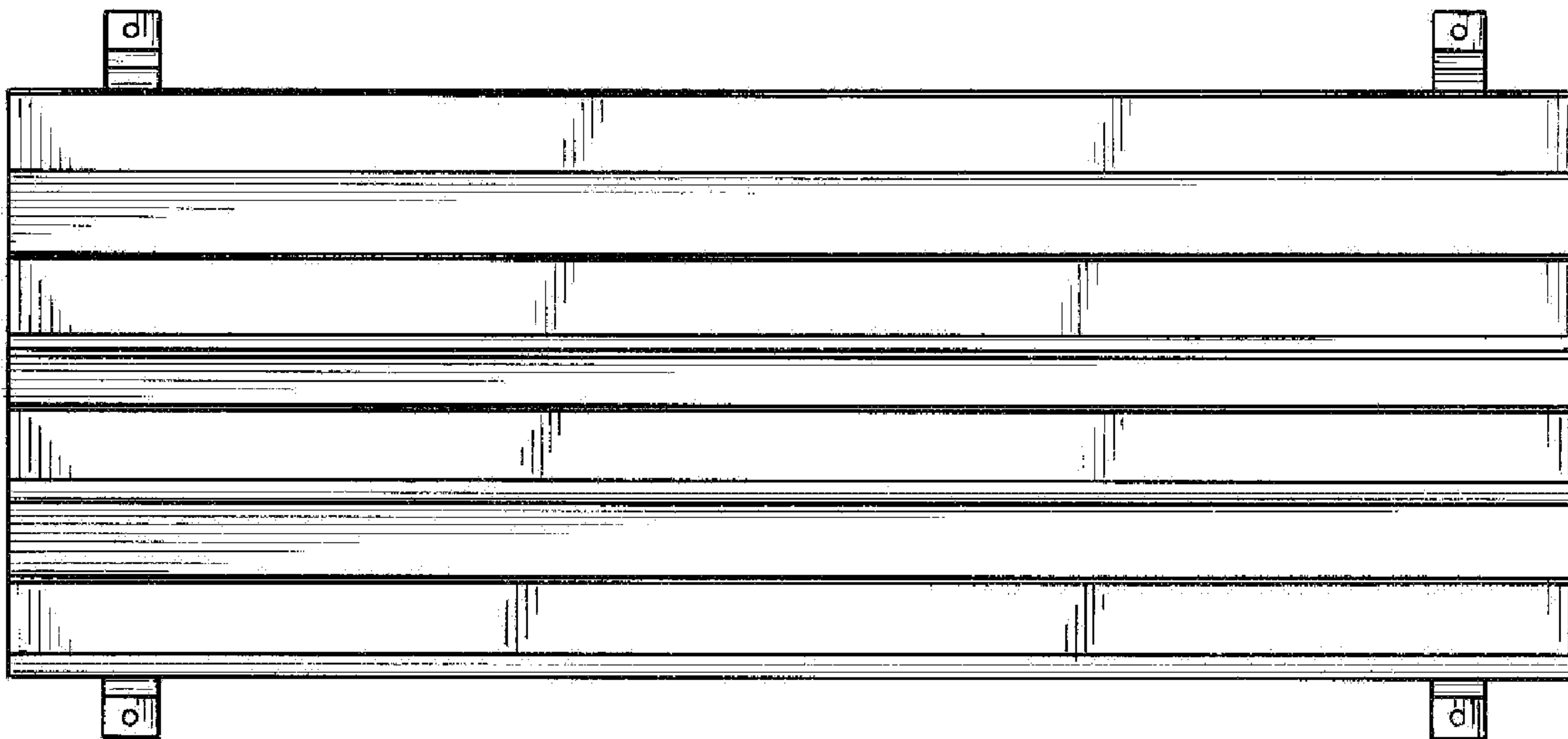


FIG. 3





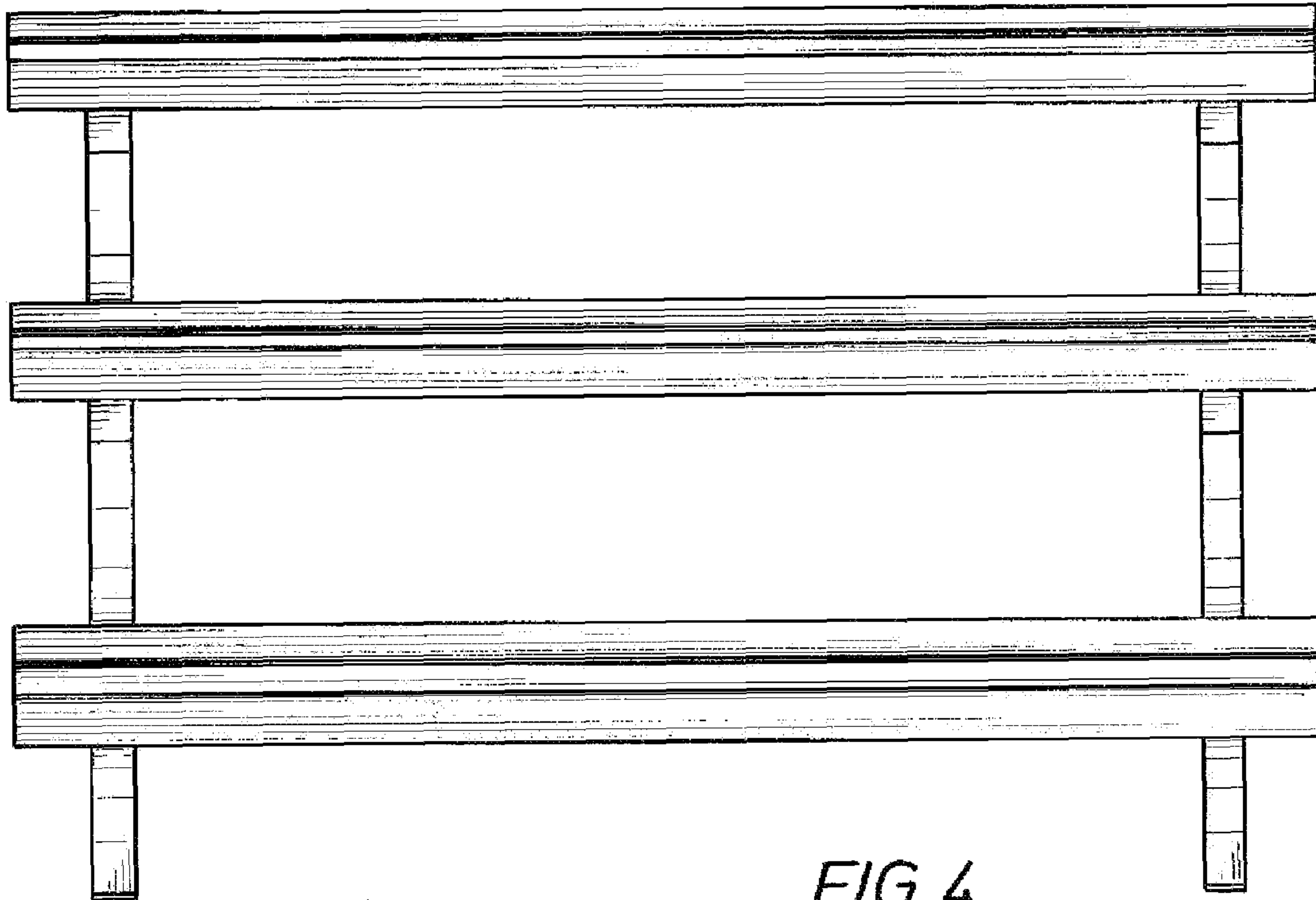


FIG. 4

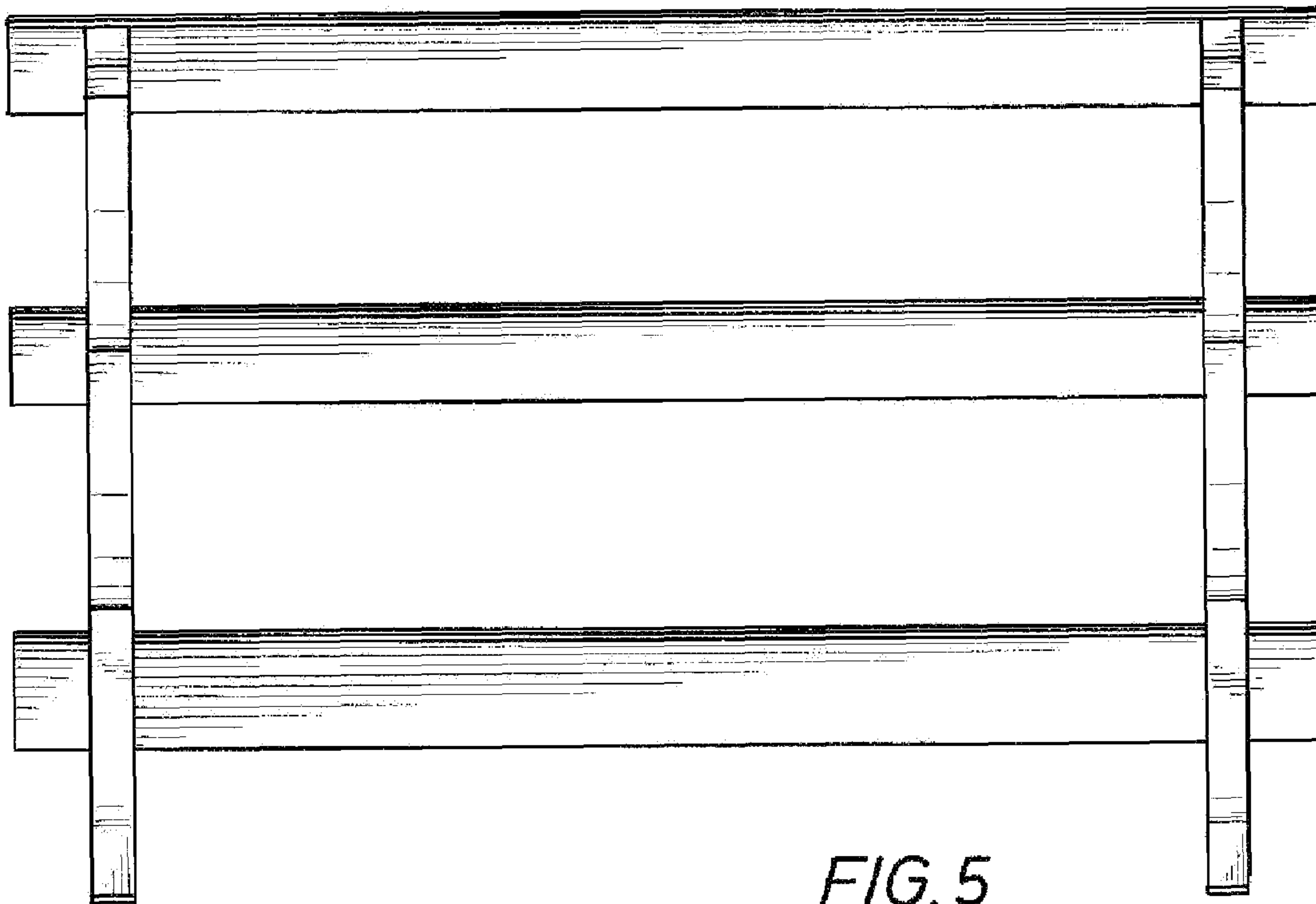


FIG. 5