



US00D563134S

(12) **United States Design Patent**  
**Ricereto**

(10) **Patent No.:** **US D563,134 S**

(45) **Date of Patent:** **\*\* Mar. 4, 2008**

(54) **TISSUE HOLDER**

(75) Inventor: **Michael Hart Ricereto**, Baltimore, MD  
(US)

(73) Assignee: **Newell Operating Company**, Atlanta,  
GA (US)

(\*\*) Term: **14 Years**

(21) Appl. No.: **29/279,450**

(22) Filed: **May 1, 2007**

(51) **LOC (8) Cl.** ..... **06-04**

(52) **U.S. Cl.** ..... **D6/549**

(58) **Field of Classification Search** ..... D6/546-550,  
D6/518-519, 522-524; D8/300, 303, 315-321;  
108/28-29; 211/13.1, 16, 60.1, 86.01, 87.01,  
211/88.01, 88.04, 100, 105.1-105.2, 123,  
211/181.1, 182; 248/175, 176.1, 251, 302;  
16/110.1, 412, 415; 242/570, 590, 595-598

See application file for complete search history.

(56) **References Cited**

**U.S. PATENT DOCUMENTS**

D244,422 S	5/1977	Clayton
D244,652 S	6/1977	Tegner
D244,653 S	6/1977	Tegner
D244,654 S	6/1977	Tegner
D246,404 S	11/1977	Tegner
D246,406 S	11/1977	Tegner
D246,435 S	11/1977	Stone
D246,502 S	11/1977	Clayton
D246,503 S	11/1977	Clayton
D246,696 S	12/1977	Clayton
D247,844 S	5/1978	Palm, Jr.
D247,845 S	5/1978	Palm, Jr.
D249,418 S	9/1978	Tegner

D249,419 S	9/1978	Tegner
D251,462 S	4/1979	Tegner
D251,543 S	4/1979	Pittenger
D251,544 S	4/1979	Tegner
D251,882 S	5/1979	Tegner
D252,317 S	7/1979	Clayton
D253,380 S	11/1979	Pittenger
D253,381 S	11/1979	Tegner

(Continued)

**OTHER PUBLICATIONS**

Amerock Decorative Hardware Catalog, Jul. 2006, p. 47, published  
in USA.

(Continued)

*Primary Examiner*—Brian N Vinson

(74) *Attorney, Agent, or Firm*—Banner & Witcoff, Ltd.

(57) **CLAIM**

I claim the ornamental design for a tissue holder, as shown  
and described.

**DESCRIPTION**

FIG. 1 is a perspective view of a tissue holder of the present  
claimed design;

FIG. 2 is a side view of the tissue holder shown in FIG. 1,  
the opposite side view being identical thereto;

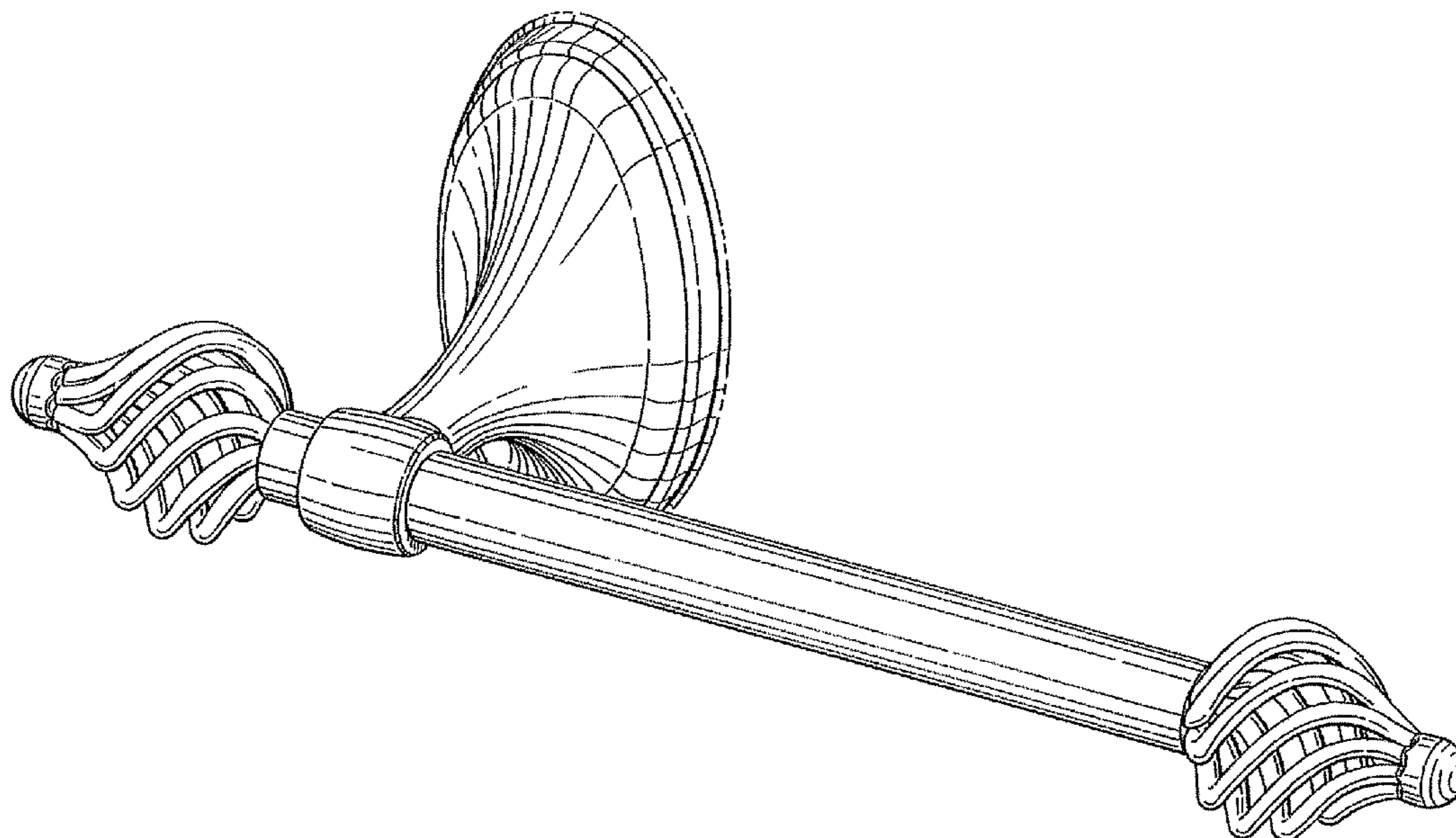
FIG. 3 is a top view of the tissue holder shown in FIG. 1, the  
opposite bottom view being identical thereto;

FIG. 4 is a front view of the tissue holder shown in FIG. 1;  
and,

FIG. 5 is a rear view of the tissue holder shown in FIG. 1.

Features shown in broken lines in the drawings form no part  
of the claimed design.

**1 Claim, 3 Drawing Sheets**



# US D563,134 S

Page 2

## U.S. PATENT DOCUMENTS

D254,460 S 3/1980 Tegner  
D254,461 S 3/1980 Tegner  
D259,916 S 7/1981 Pittenger  
D268,246 S 3/1983 Tegner  
D276,976 S 1/1985 Tegner  
4,627,672 A 12/1986 DeBruyn  
4,637,582 A 1/1987 Boda  
D290,338 S 6/1987 Tegner  
D292,546 S 11/1987 Tegner  
4,718,625 A 1/1988 Boda  
D293,988 S 2/1988 Tegner  
D293,989 S 2/1988 Tegner  
D294,092 S 2/1988 Tegner  
D294,093 S 2/1988 Tegner  
D294,094 S 2/1988 Tegner  
D294,095 S 2/1988 Tegner  
D294,309 S 2/1988 Tegner  
D299,095 S 12/1988 Gresens et al.  
D299,099 S 12/1988 Gresens et al.  
D300,998 S 5/1989 Gresens et al.  
D305,862 S 2/1990 Clayton  
D305,863 S 2/1990 Gresens et al.

D307,992 S 5/1990 Gresens et al.  
D326,997 S 6/1992 Clayton  
D327,420 S 6/1992 Bishop  
D377,655 S 1/1997 Smith  
D386,667 S 11/1997 Smith  
D456,195 S \* 4/2002 Meck et al. .... D6/549  
D463,187 S \* 9/2002 Gilbert ..... D6/549  
D482,918 S \* 12/2003 Chen ..... D6/549  
D492,530 S \* 7/2004 Chen ..... D6/549  
D503,061 S \* 3/2005 Fuchs ..... D6/549  
D516,349 S \* 3/2006 Ferrer Beltran ..... D6/549  
D540,086 S \* 4/2007 Kirar ..... D6/549  
D540,087 S \* 4/2007 Barry ..... D6/549  
D540,595 S \* 4/2007 Solowiej ..... D6/549  
D540,596 S \* 4/2007 Duggan ..... D6/549  
D540,598 S \* 4/2007 Massaud ..... D6/549  
D540,599 S \* 4/2007 Krumpe et al. .... D6/549  
D551,479 S \* 9/2007 Gilbert ..... D6/524

## OTHER PUBLICATIONS

Amerock Decorative Hardware Catalog, Jul. 2006, p. 94, published in USA.

\* cited by examiner

FIG. 2

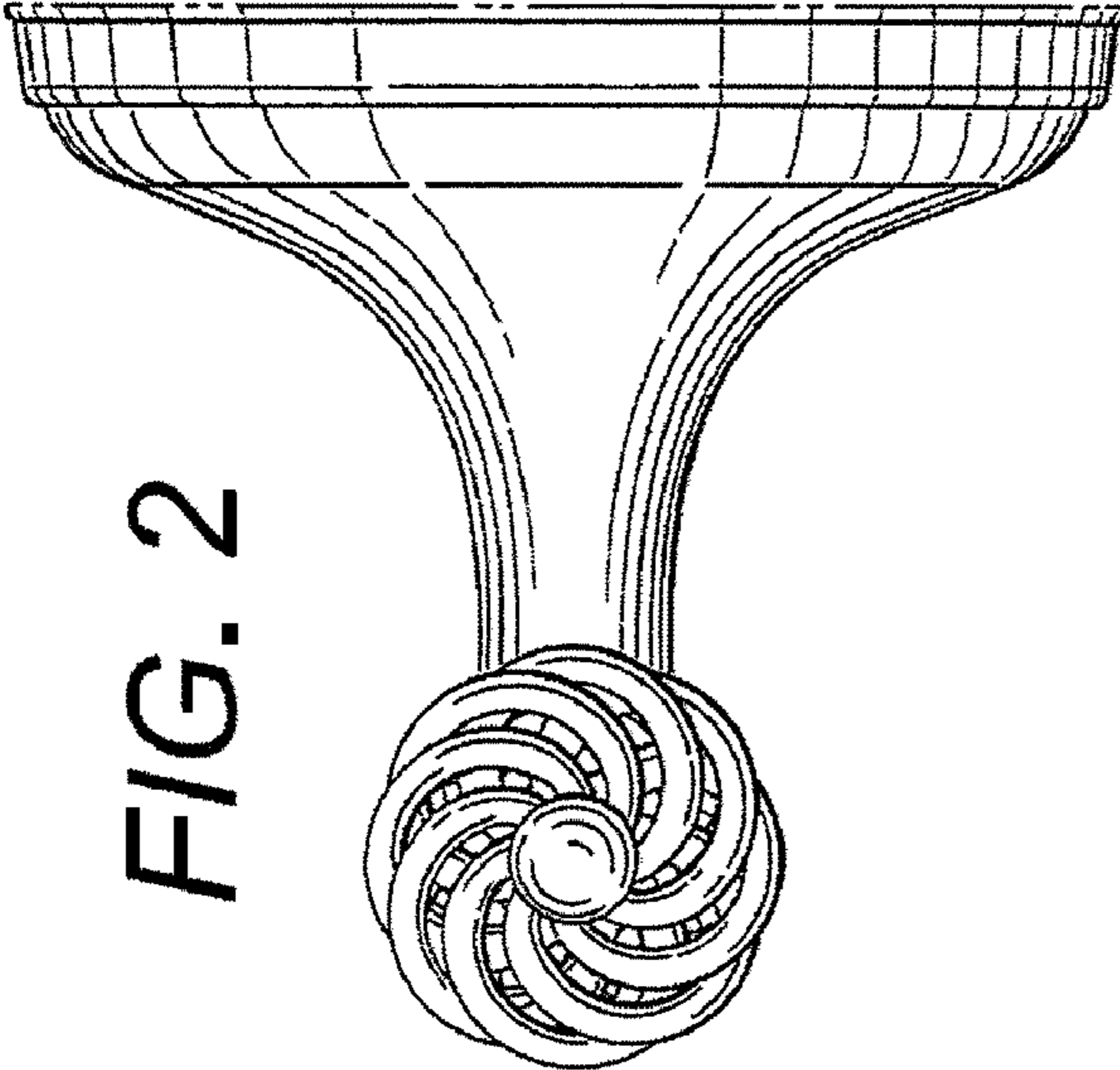
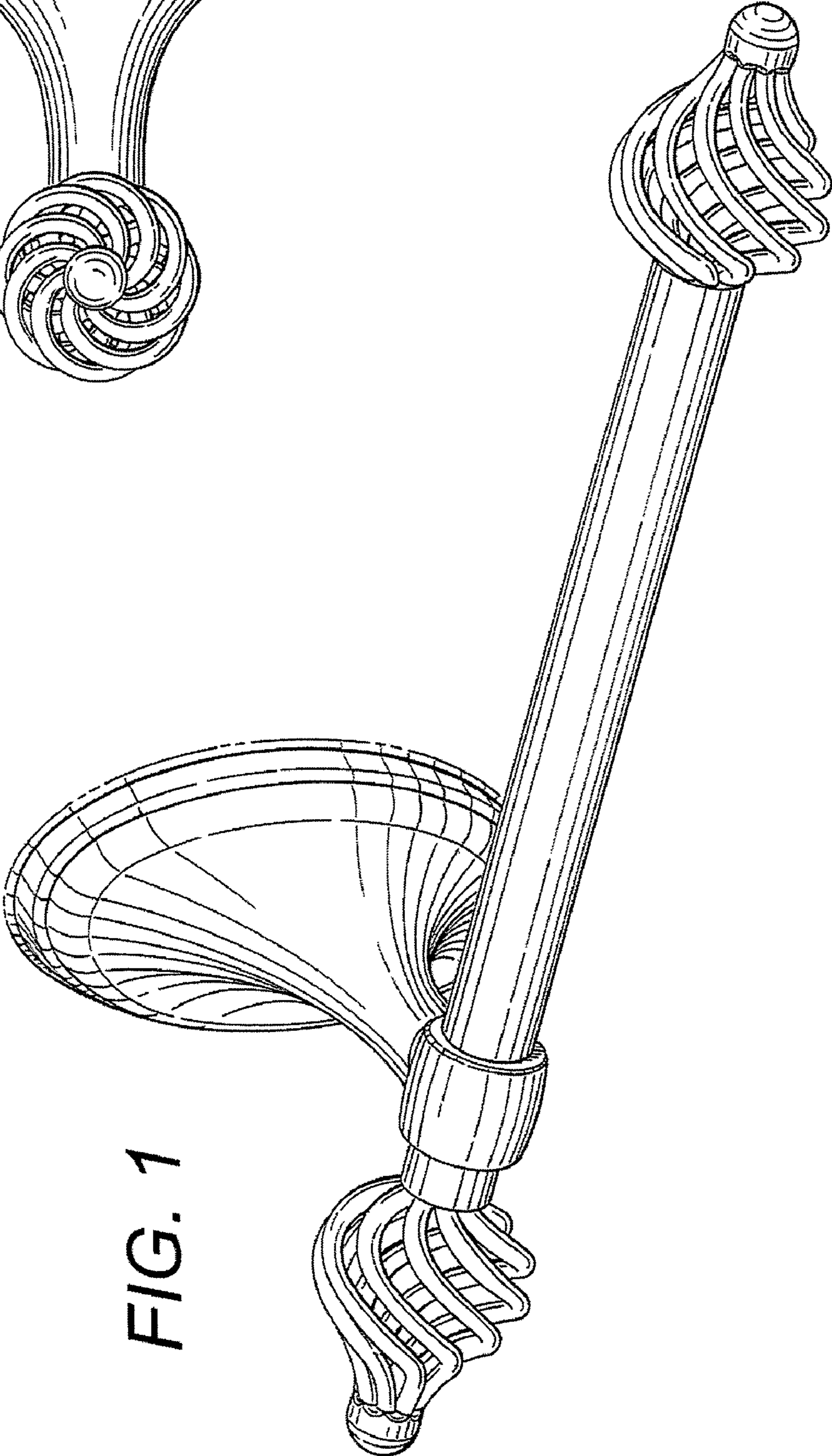


FIG. 1



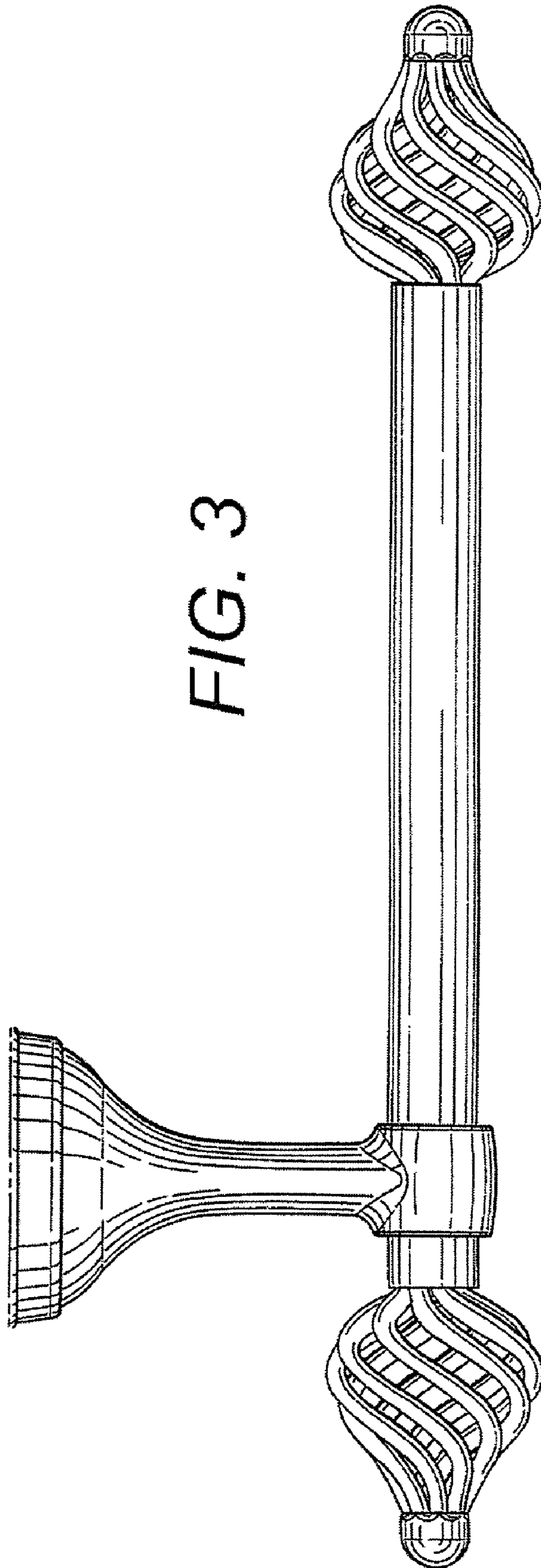


FIG. 3

