



US00D563131S

(12) **United States Design Patent**  
**Ricereto**

(10) **Patent No.:** **US D563,131 S**  
(45) **Date of Patent:** **\*\* Mar. 4, 2008**

(54) **BATHROOM HARDWARE SUPPORT**  
(75) Inventor: **Michael Hart Ricereto**, Baltimore, MD  
(US)  
(73) Assignee: **Newell Operating Company**, Atlanta,  
GA (US)  
(\*\*) Term: **14 Years**

D249,419 S 9/1978 Tegner  
D251,462 S 4/1979 Tegner  
D251,543 S 4/1979 Pittenger  
D251,544 S 4/1979 Tegner  
D251,882 S 5/1979 Tegner  
D252,317 S 7/1979 Clayton  
D253,380 S 11/1979 Pittenger  
D253,381 S 11/1979 Tegner  
D254,460 S 3/1980 Tegner  
D254,461 S 3/1980 Tegner

(21) Appl. No.: **29/279,449**

(Continued)

(22) Filed: **May 1, 2007**

**OTHER PUBLICATIONS**

(51) **LOC (8) Cl.** ..... **23-02**  
(52) **U.S. Cl.** ..... **D6/524; D6/550**  
(58) **Field of Classification Search** ..... D6/518-524,  
D6/548-550; D8/300, 303, 315-321, 349,  
D8/354, 363, 373, 380; 108/28-29; 211/13.1,  
211/16, 60.1, 100, 86.01, 87.01, 88.01, 88.04,  
211/105.1-105.2, 123, 182, 181.1; 248/176,  
248/176.1, 251, 302, 309.1; 16/110.1, 412,  
16/415; 242/570, 590, 595-598  
See application file for complete search history.

Amerock Decorative Hardware Catalog, Jul. 2006, p. 47, published  
in USA.

(Continued)

*Primary Examiner*—Brian N Vinson  
(74) *Attorney, Agent, or Firm*—Banner & Witcoff, Ltd.

(57) **CLAIM**

I claim the ornamental design for a bathroom hardware  
support, as shown and described.

(56) **References Cited**

**DESCRIPTION**

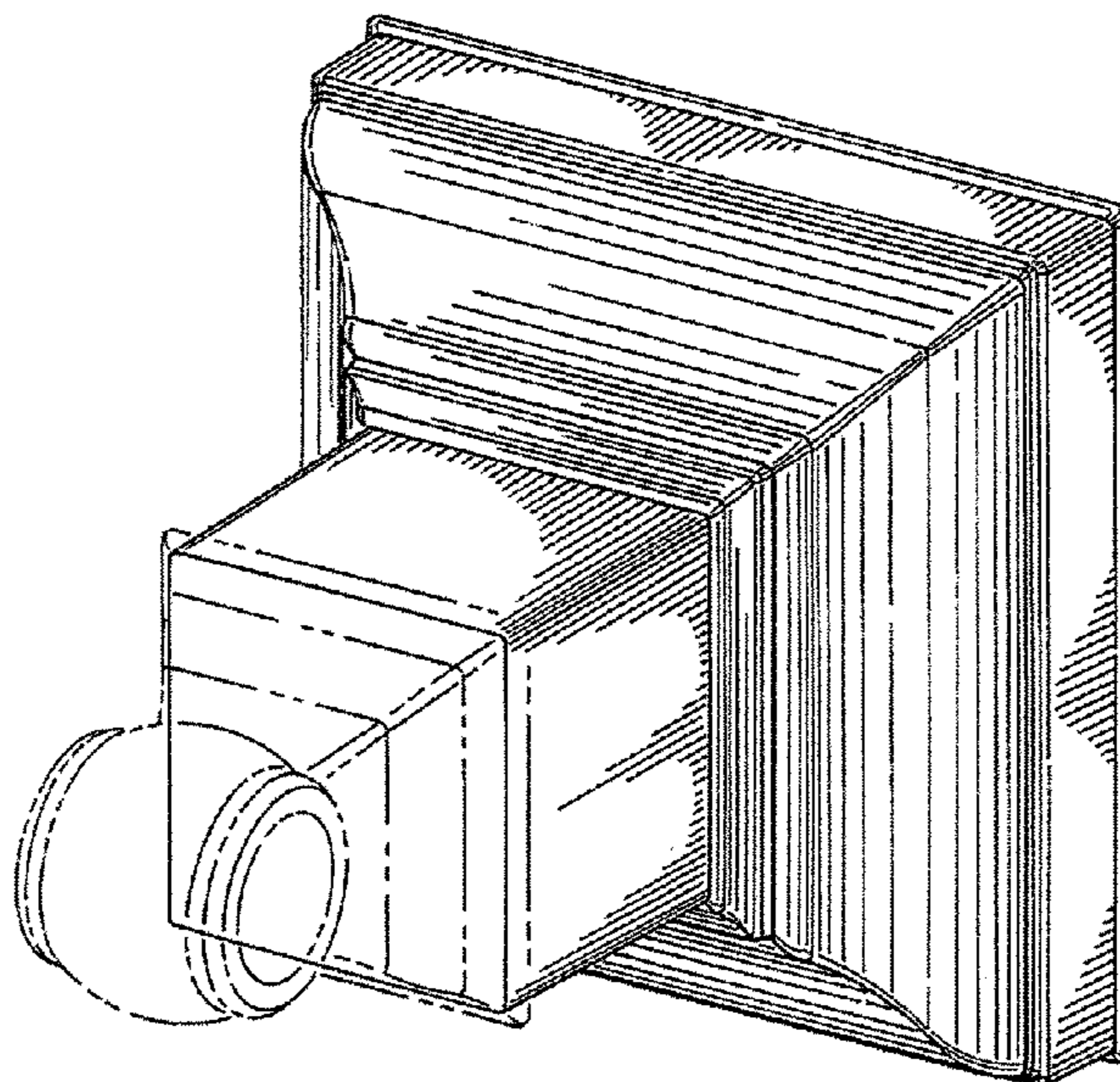
**U.S. PATENT DOCUMENTS**

D244,422 S 5/1977 Clayton  
D244,652 S 6/1977 Tegner  
D244,653 S 6/1977 Tegner  
D244,654 S 6/1977 Tegner  
D246,404 S 11/1977 Tegner  
D246,406 S 11/1977 Tegner  
D246,435 S 11/1977 Stone  
D246,502 S 11/1977 Clayton  
D246,503 S 11/1977 Clayton  
D246,696 S 12/1977 Clayton  
D247,844 S 5/1978 Palm, Jr.  
D247,845 S 5/1978 Palm, Jr.  
D249,418 S 9/1978 Tegner

FIG. 1 is a perspective view of a bathroom hardware support  
of the present claimed design;  
FIG. 2 is a side view of the bathroom hardware support  
shown in FIG. 1, each side view being identical thereto;  
FIG. 3 is a front view of the bathroom hardware support  
shown in FIG. 1; and,  
FIG. 4 is a rear view of the bathroom hardware support  
shown in FIG. 1.

Features shown in broken lines in the drawings form no part  
of the claimed design.

**1 Claim, 2 Drawing Sheets**



# US D563,131 S

Page 2

## U.S. PATENT DOCUMENTS

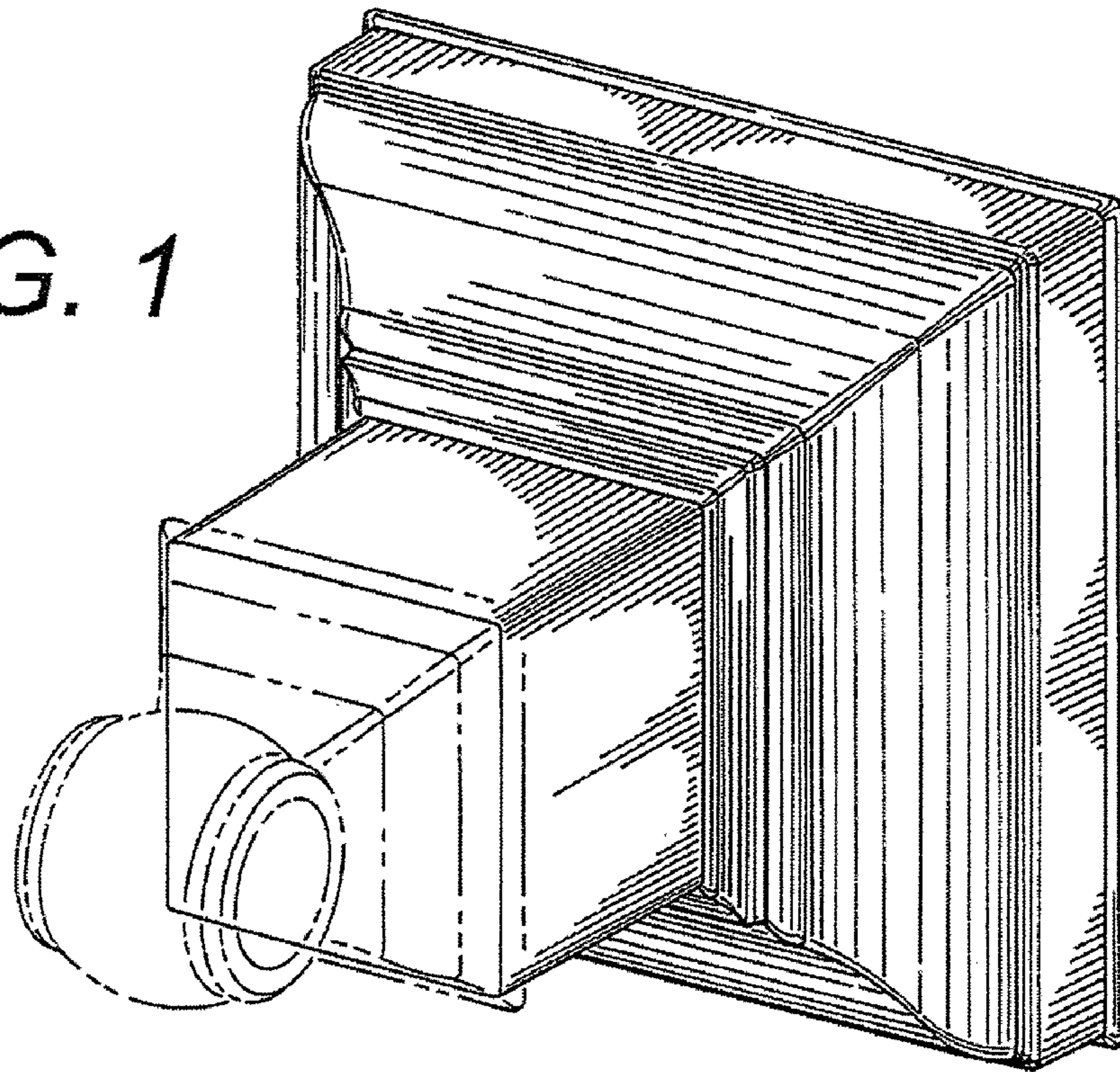
D259,916 S	7/1981	Pittenger	D305,863 S	2/1990	Gresens et al.
D268,246 S	3/1983	Tegner	D307,992 S	5/1990	Gresens et al.
D276,976 S	1/1985	Tegner	D326,997 S	6/1992	Clayton
4,627,672 A	12/1986	DeBruyn	D327,420 S	6/1992	Bishop
4,637,582 A	1/1987	Boda	D377,655 S	1/1997	Smith
D290,338 S	6/1987	Tegner	D386,667 S	11/1997	Smith
D292,546 S	11/1987	Tegner	D483,585 S *	12/2003	Chen ..... D6/524
4,718,625 A	1/1988	Boda	D497,751 S *	11/2004	Roberts et al. .... D6/524
D293,988 S	2/1988	Tegner	D501,746 S *	2/2005	Gilbert ..... D6/550
D293,989 S	2/1988	Tegner	D516,357 S *	3/2006	Gilbert et al. .... D6/550
D294,092 S	2/1988	Tegner	D520,791 S *	5/2006	Solowiej ..... D6/550
D294,093 S	2/1988	Tegner	D520,793 S *	5/2006	Gilbert ..... D6/550
D294,094 S	2/1988	Tegner	D533,642 S *	12/2006	Gilbert et al. .... D6/524
D294,095 S	2/1988	Tegner	D550,009 S *	9/2007	Rexach ..... D6/524
D294,309 S	2/1988	Tegner	D551,886 S *	10/2007	Berberet ..... D6/524
D299,095 S	12/1988	Gresens et al.			
D299,099 S	12/1988	Gresens et al.			
D300,998 S	5/1989	Gresens et al.			
D305,862 S	2/1990	Clayton			

## OTHER PUBLICATIONS

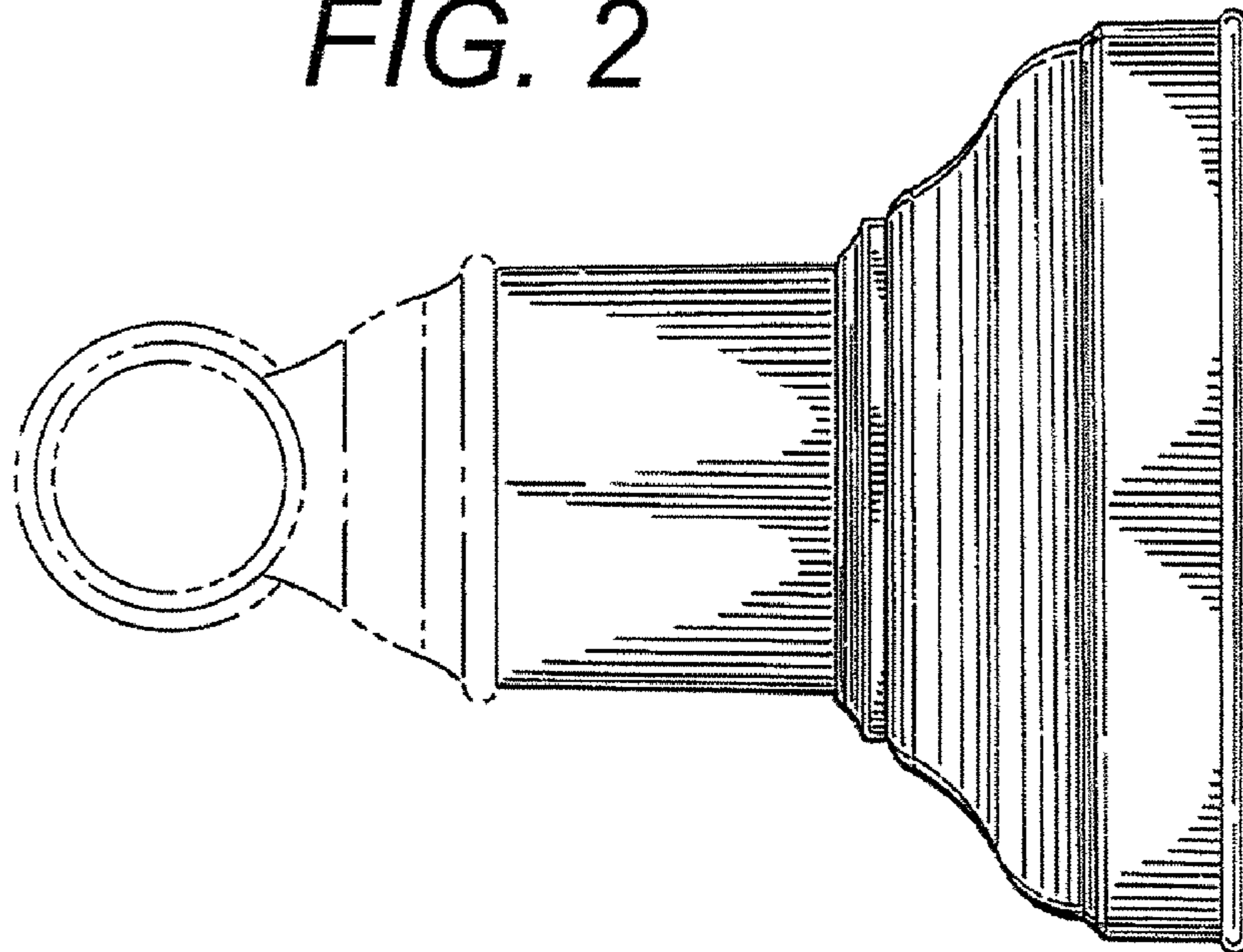
Amerock Decorative Hardware Catalog, Jul. 2006, p. 94, published in USA.

\* cited by examiner

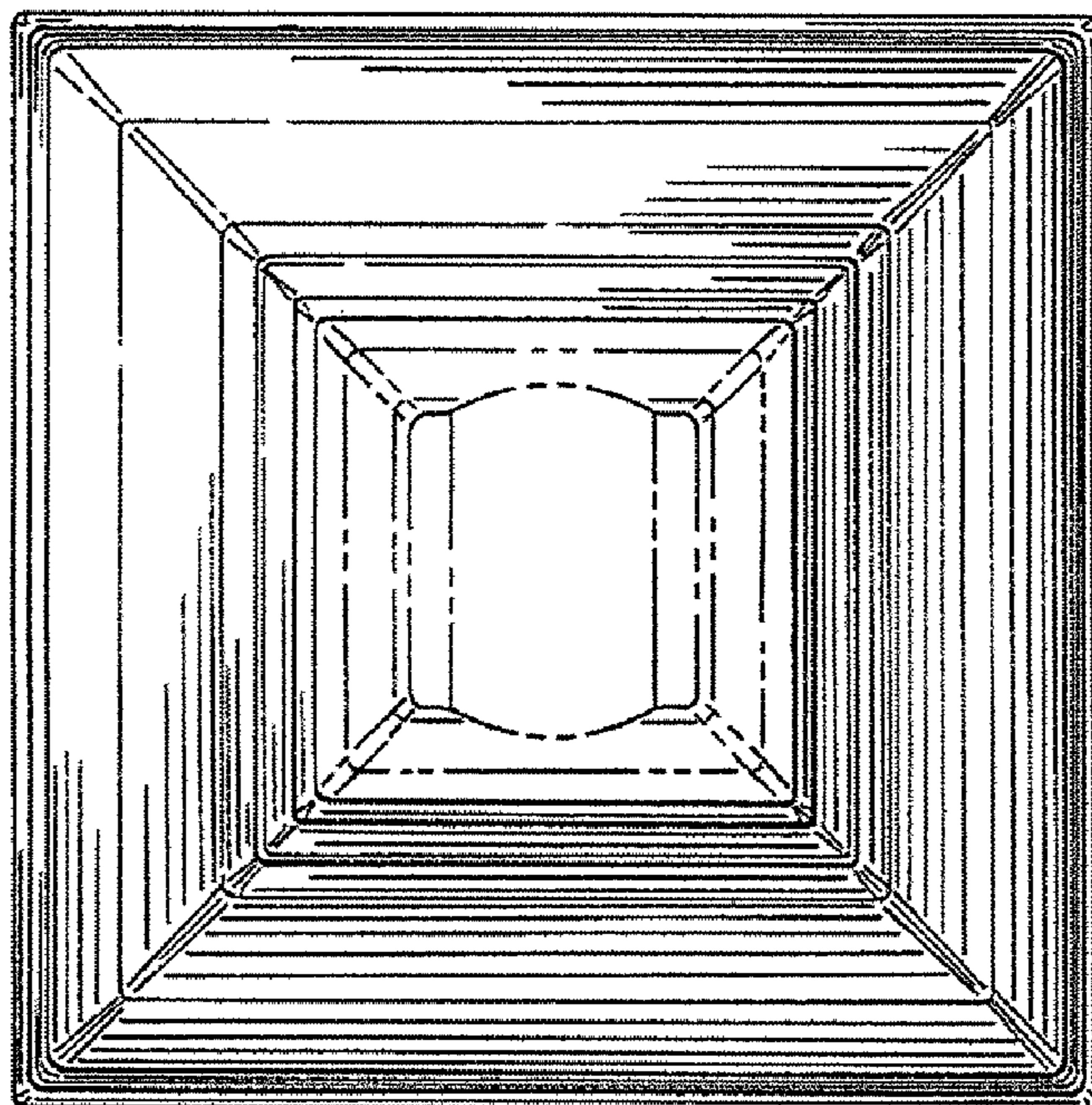
*FIG. 1*



*FIG. 2*



*FIG. 3*



*FIG. 4*

