



US00D563126S

(12) **United States Design Patent**
Morris et al.

(10) **Patent No.:** **US D563,126 S**
(45) **Date of Patent:** **** Mar. 4, 2008**

(54) **RACE TRACK TABLE**

D479,778 S * 9/2003 Haney et al. D6/511

(76) Inventors: **Suzanne Morris**, 316 Corporate Pl.,
Chattanooga, TN (US) 37419; **Glenn H. Morris, Jr.**, 316 Corporate Pl.,
Chattanooga, TN (US) 37419

* cited by examiner

Primary Examiner—Janice E. Seeger
(74) *Attorney, Agent, or Firm*—Stephen J. Stark; Miller & Martin PLLC

(**) Term: **14 Years**

(57) **CLAIM**

(21) Appl. No.: **29/281,224**

The ornamental design for a race track table, as shown and described.

(22) Filed: **Jun. 19, 2007**

(51) **LOC (8) Cl.** **06-03**

(52) **U.S. Cl.** **D6/511; D6/430**

(58) **Field of Classification Search** D6/480–489,
D6/495–499, 511, 451, 429–431; 108/150,
108/153.1, 156, 157.1, 161, 44, 115, 162,
108/152, 69, 134; D12/415; D21/359
See application file for complete search history.

DESCRIPTION

FIG. 1 is a perspective view of a table design;
FIG. 2 is a top elevational view thereof;
FIG. 3 is a left side elevational view thereof;
FIG. 4 is a right side elevational view thereof;
FIG. 5 is a front elevational view thereof;
FIG. 6 is a back elevational view thereof; and,
FIG. 7 is a bottom elevational view thereof.

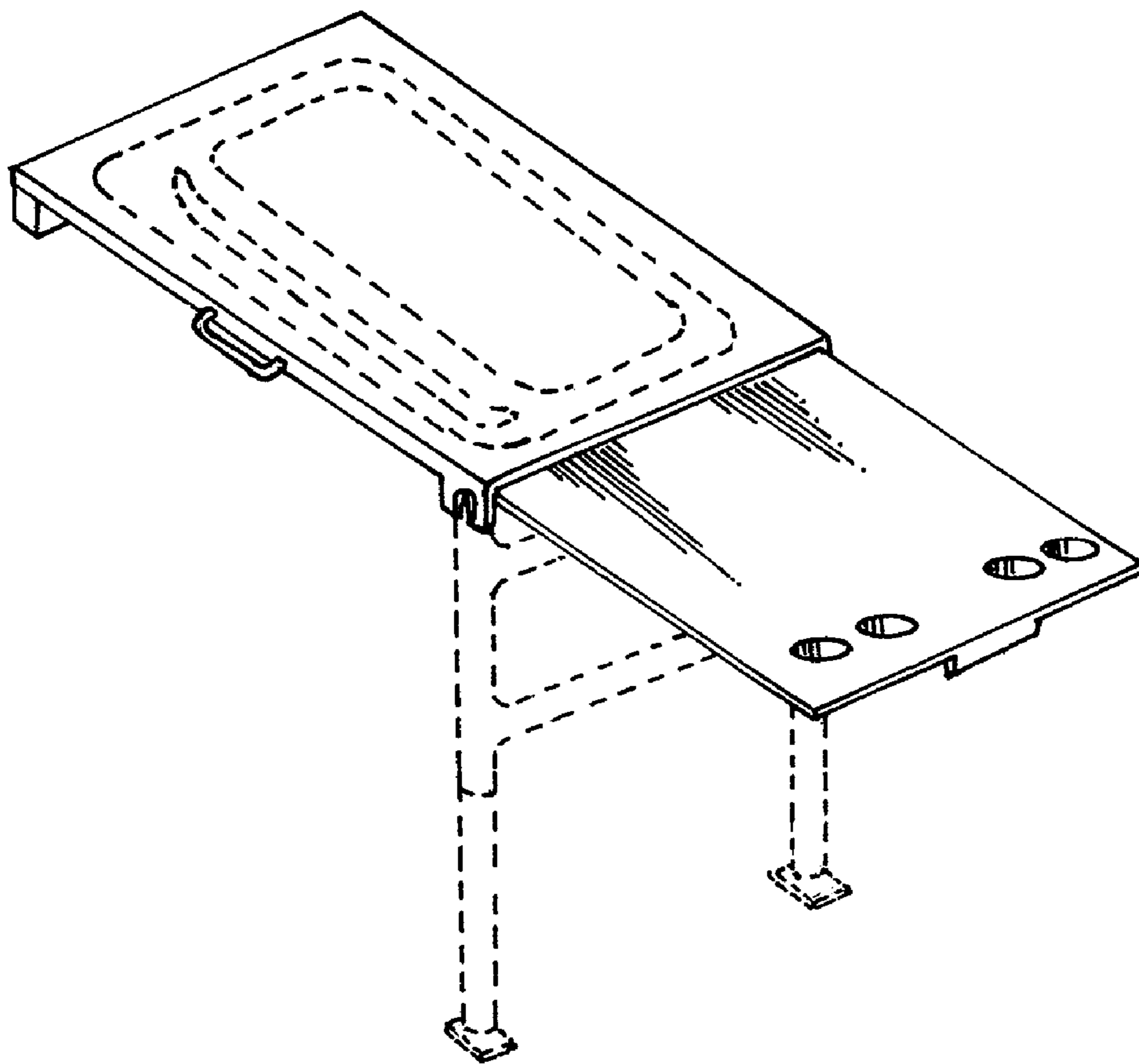
The broken lines showing the leg supports are for environmental purposes only and form no part of the claimed design. However, the broken lines showing the pattern on the table top are part of the claimed design.

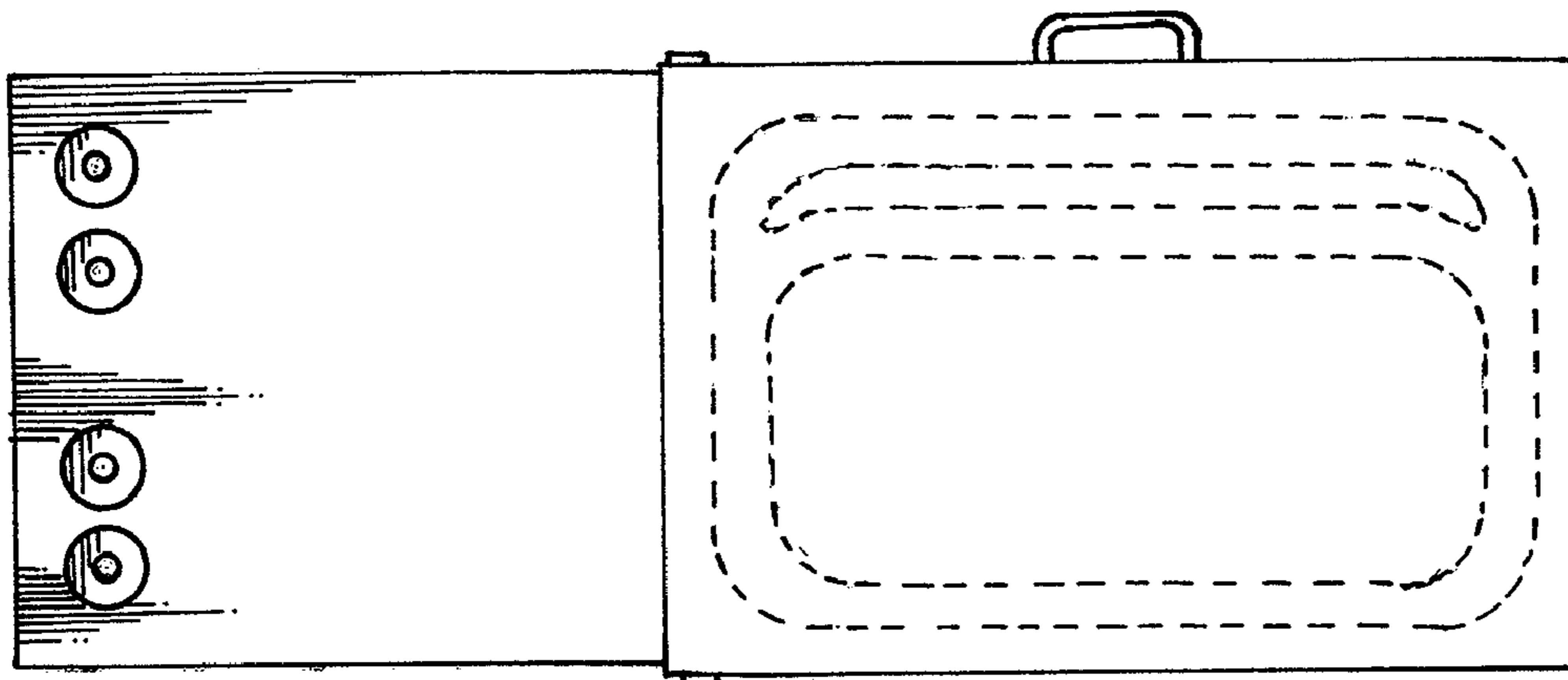
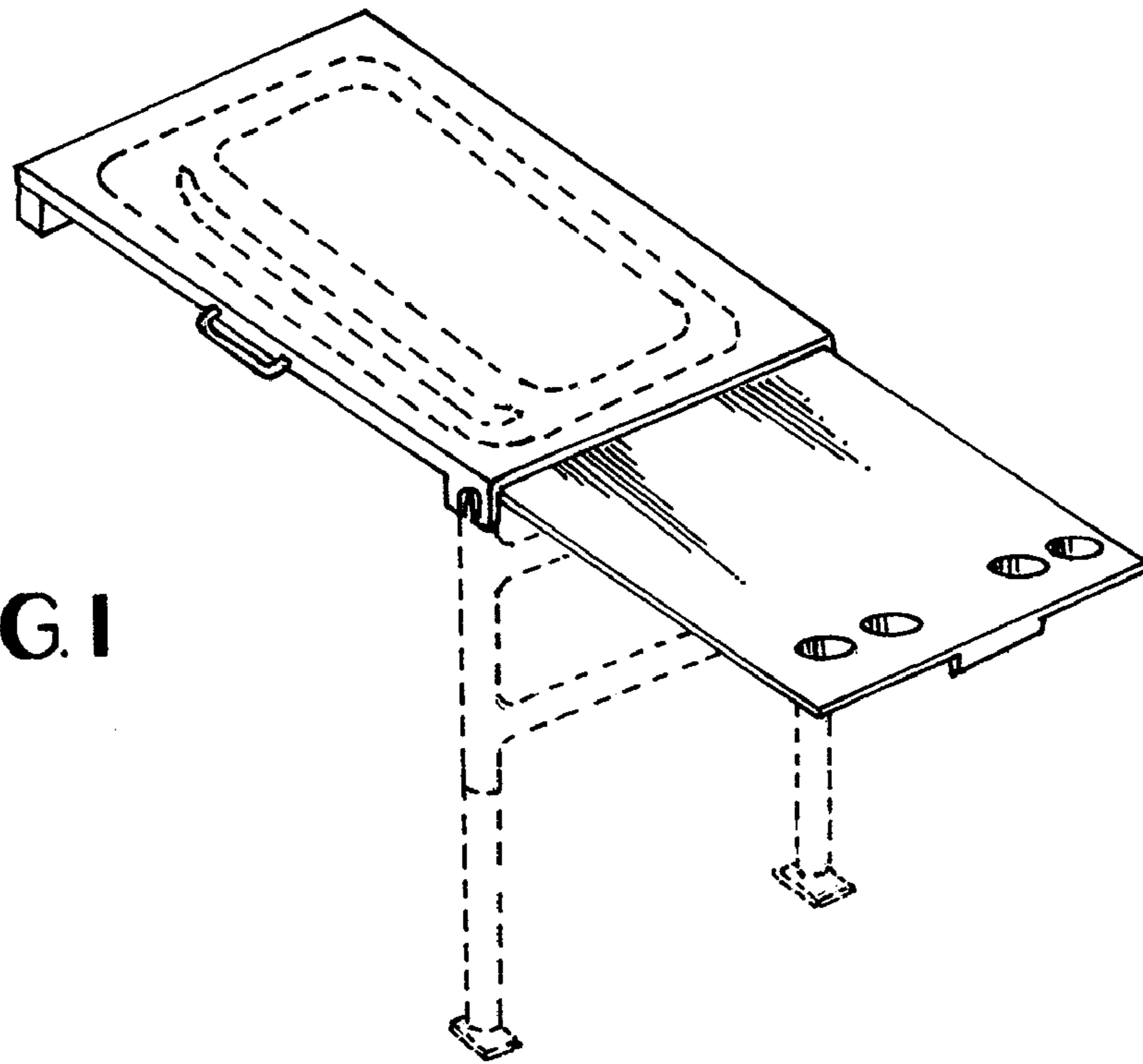
(56) **References Cited**

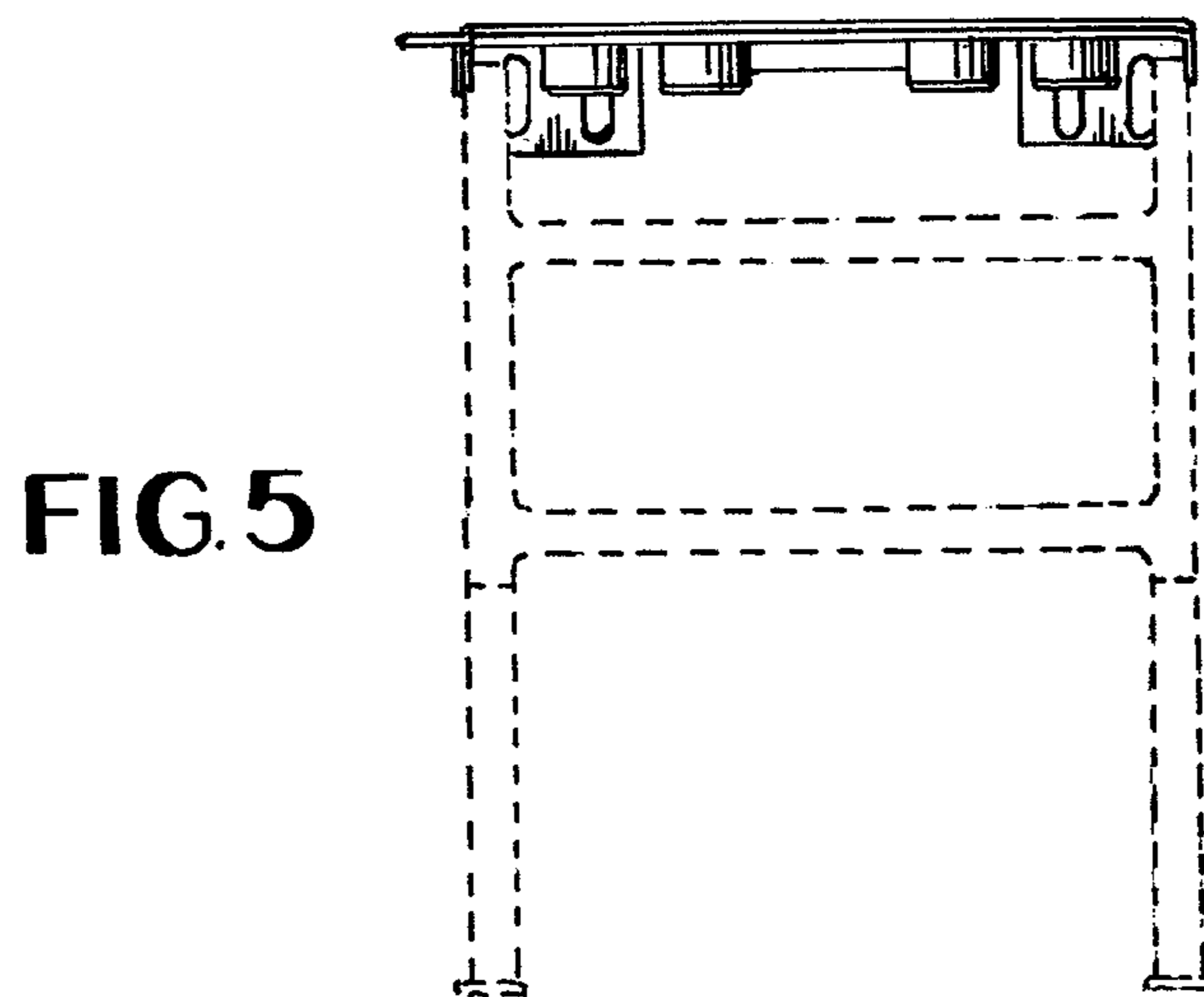
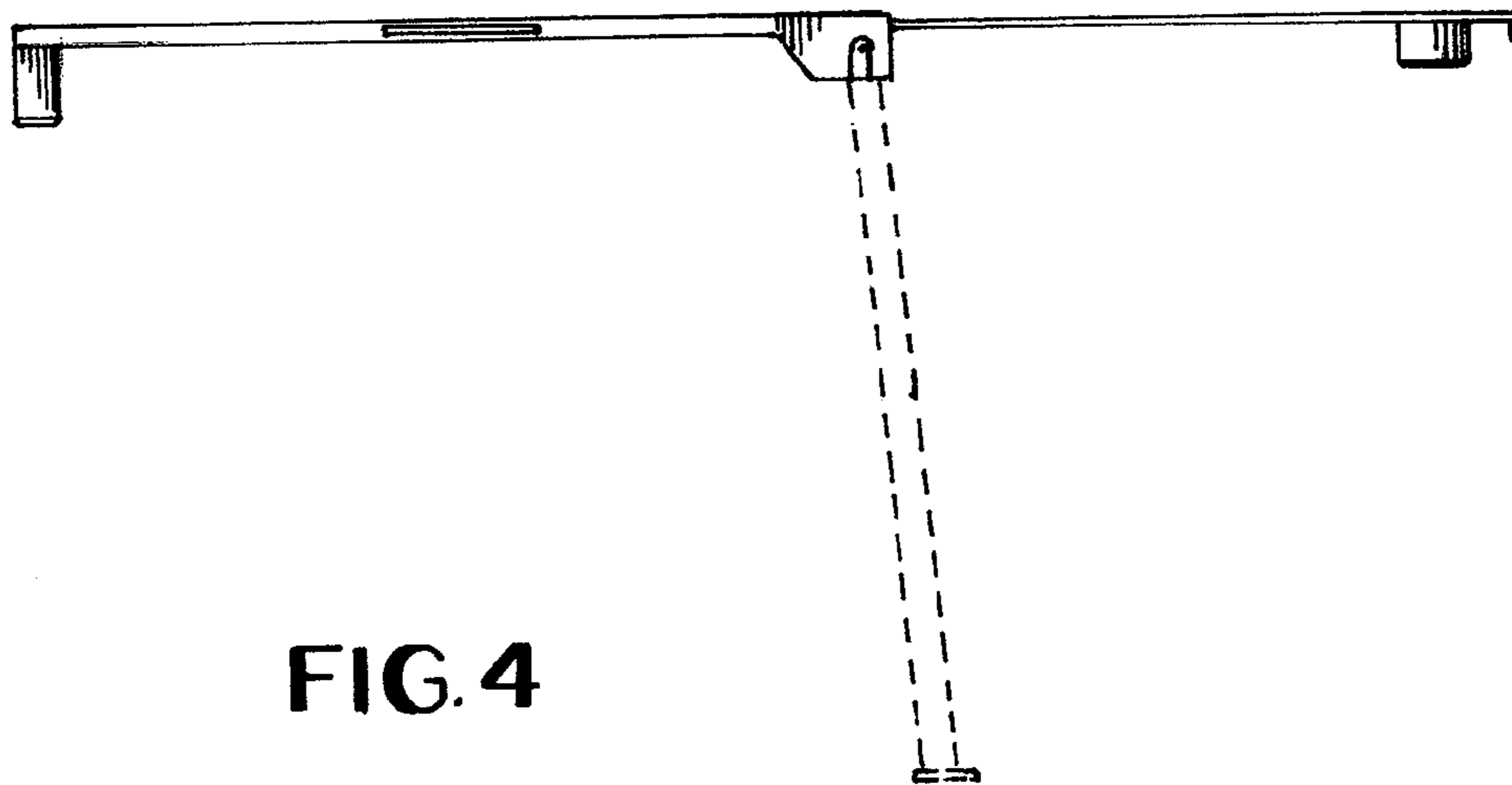
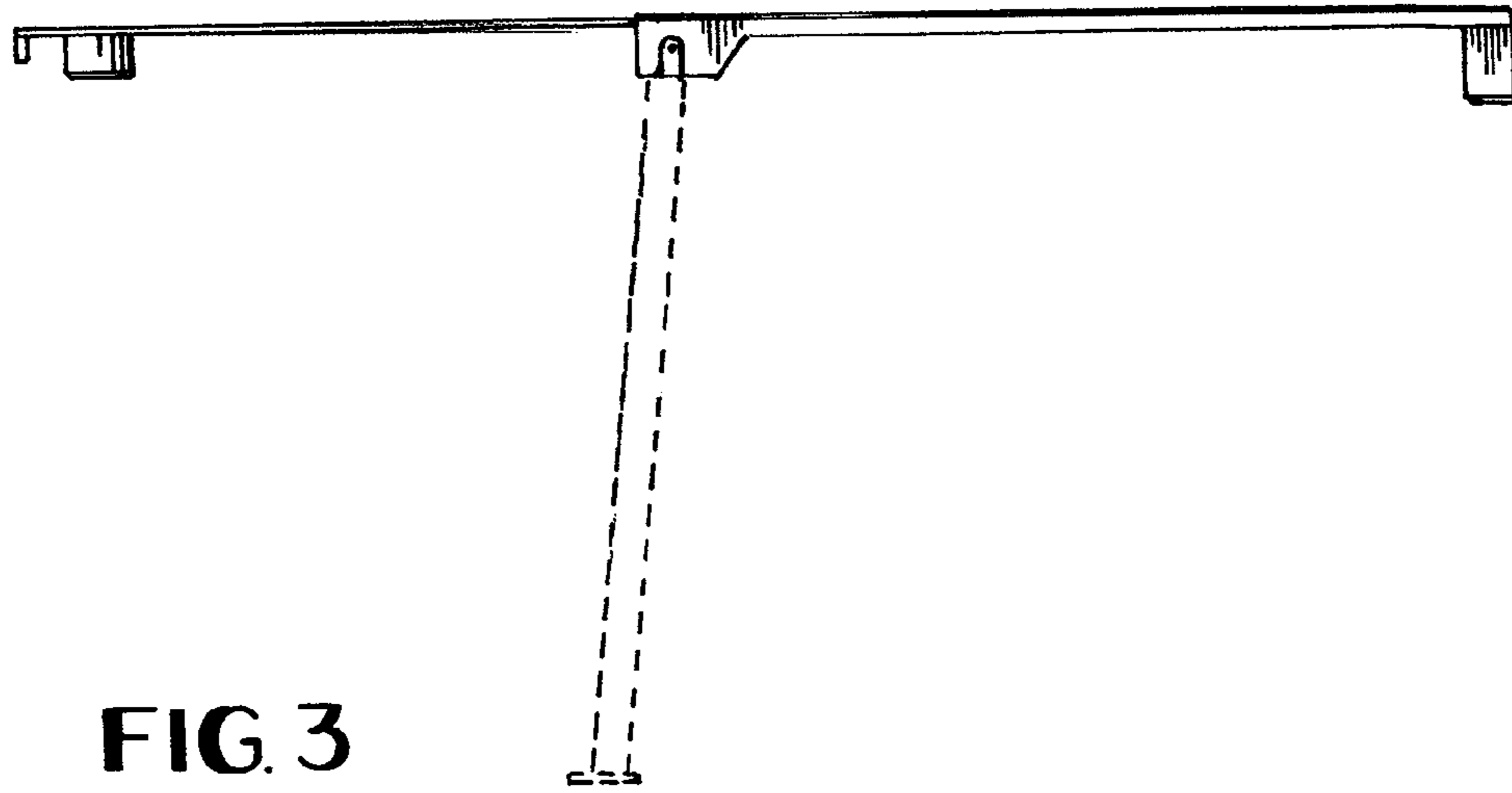
U.S. PATENT DOCUMENTS

4,359,004 A * 11/1982 Chappell 108/44
5,170,720 A * 12/1992 Scheurer 108/44
D367,387 S * 2/1996 Sweere D6/511
5,730,066 A * 3/1998 Auten et al. 108/44
5,934,673 A * 8/1999 Telarico et al. 273/246

1 Claim, 3 Drawing Sheets







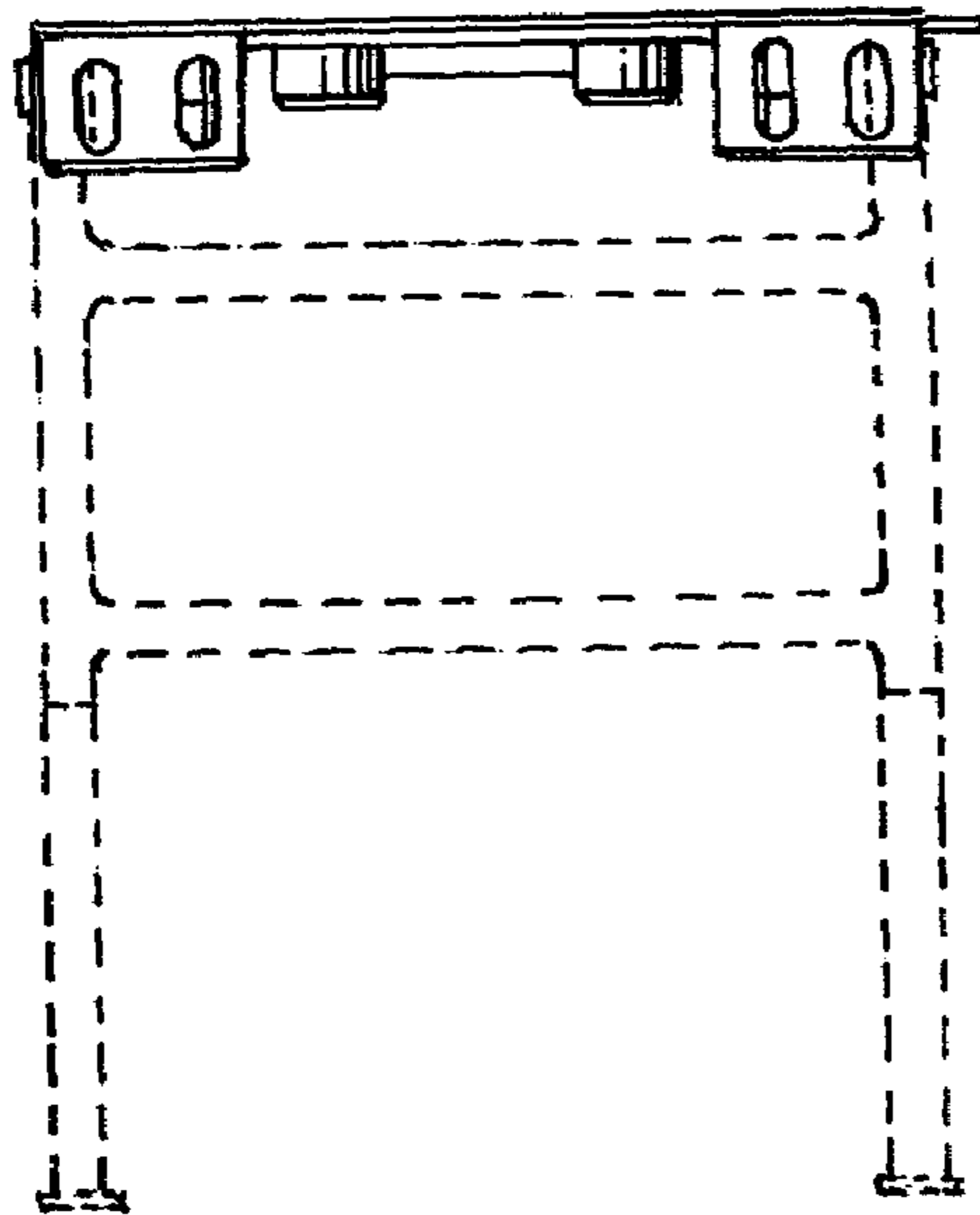


FIG. 6

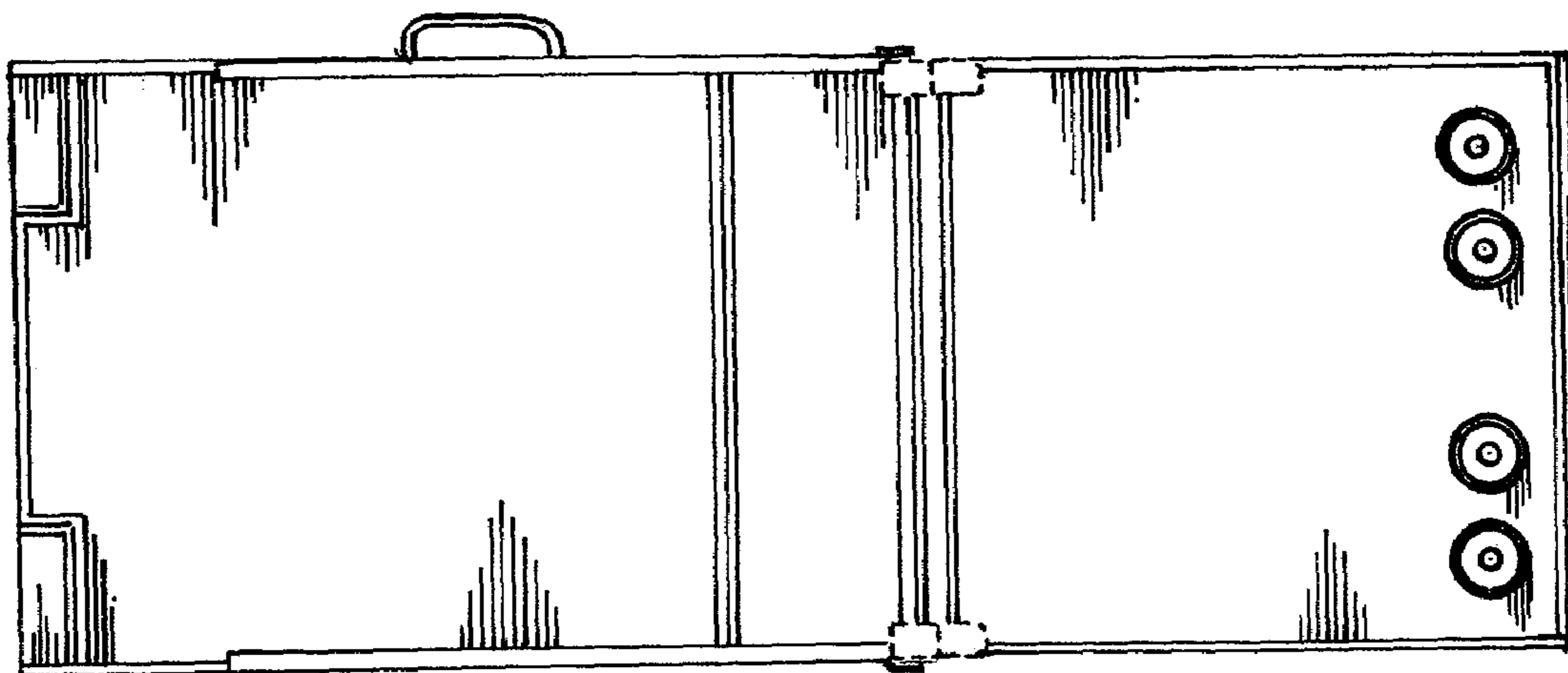


FIG. 7