



US00D563125S

(12) **United States Design Patent**
Held

(10) **Patent No.:** **US D563,125 S**

(45) **Date of Patent:** **** Mar. 4, 2008**

(54) **SIDE WALL OF A DRAWER**

(75) Inventor: **Wolfgang Held**, Hard (AT)

(73) Assignee: **Julius Blum GmbH**, Höchst (AT)

(**) Term: **14 Years**

(21) Appl. No.: **29/255,217**

(22) Filed: **Mar. 7, 2006**

(30) **Foreign Application Priority Data**

Sep. 13, 2005 (EM) 000400452

(51) **LOC (8) Cl.** **06-06**

(52) **U.S. Cl.** **D6/510**

(58) **Field of Classification Search** D6/432,
D6/441, 445, 446, 509-511, 574; 312/195,
312/330.1, 234.5, 334.8, 334.14, 334.27,
312/348.1, 348.2

See application file for complete search history.

(56) **References Cited**

U.S. PATENT DOCUMENTS

3,722,974 A * 3/1973 Hartman 312/348.2

4,895,417 A * 1/1990 Rock 312/234.5

5,352,034 A * 10/1994 Held et al. 312/334.27

5,364,180 A * 11/1994 Berger 312/334.14

6,095,627 A * 8/2000 Sutterlutti 312/348.2

D496,814 S * 10/2004 Hong D6/510

* cited by examiner

Primary Examiner—Mimosa De

(74) *Attorney, Agent, or Firm*—Wenderoth, Lind & Ponack,
L.L.P.

(57) **CLAIM**

The ornamental design for a side wall of a drawer, as shown
and described.

DESCRIPTION

FIG. 1 is a bottom view thereof;

FIG. 2 is a top view thereof;

FIG. 3 is a right side oblique view thereof;

FIG. 4 is a left side oblique view thereof;

FIG. 5 is a back view thereof;

FIG. 6 is a front view thereof;

FIG. 7 is a right side view thereof; and,

FIG. 8 is a left side view thereof;

1 Claim, 1 Drawing Sheet

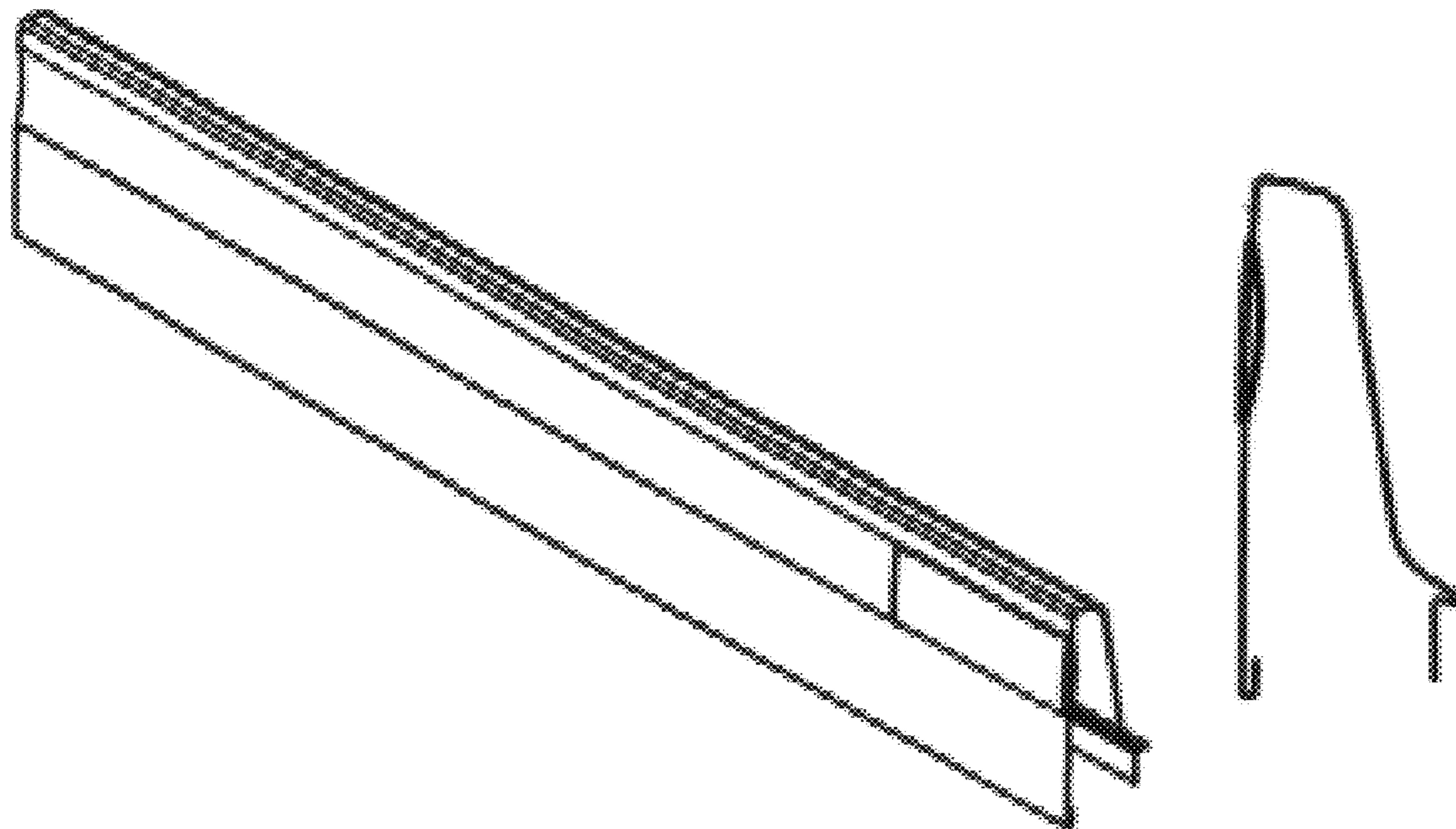




Fig. 1

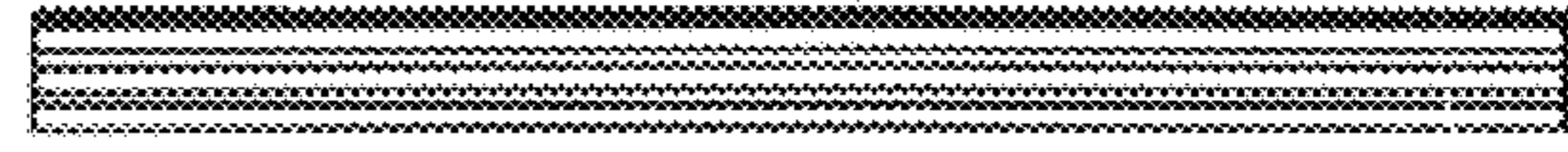


Fig. 2

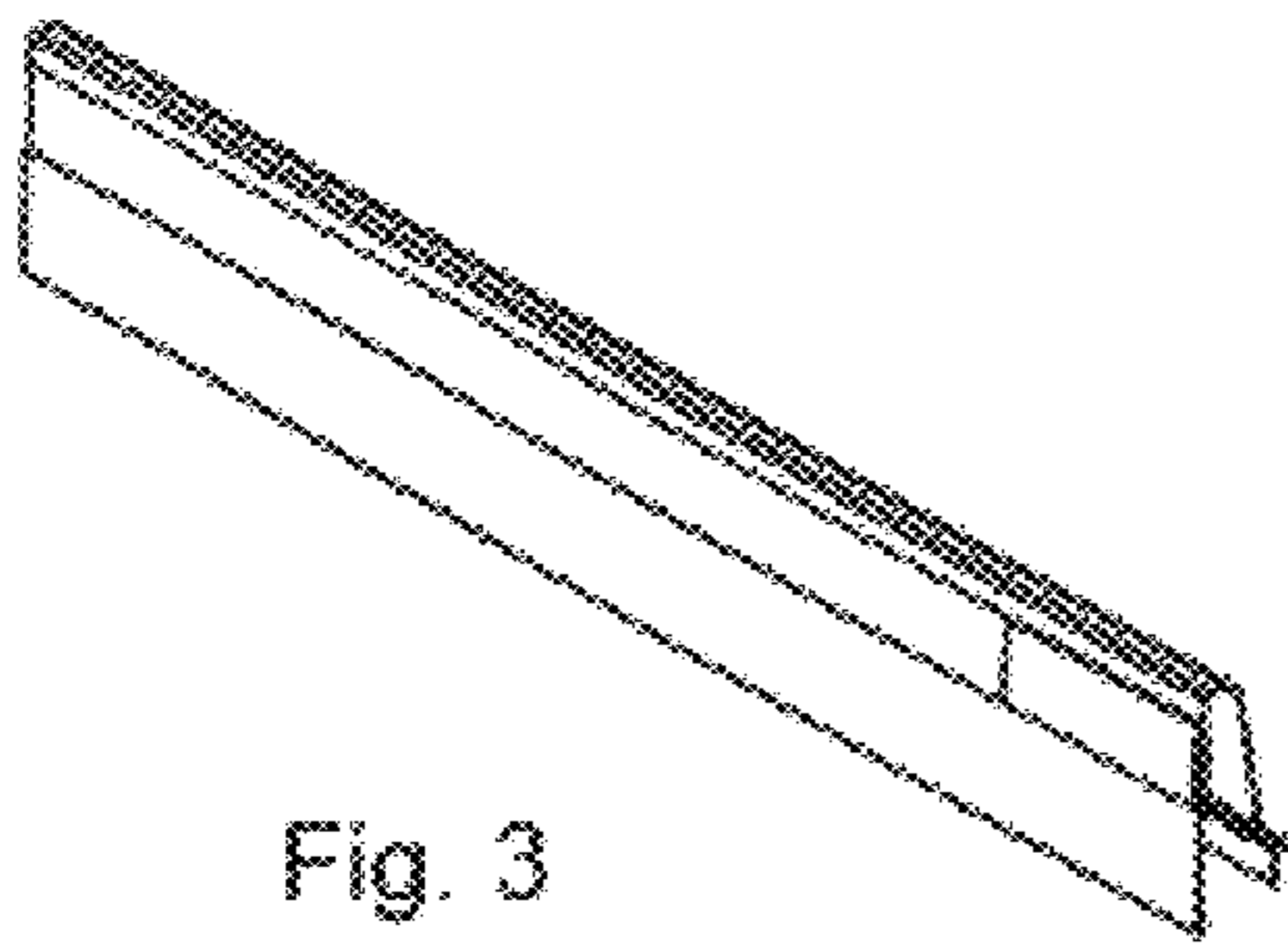


Fig. 3

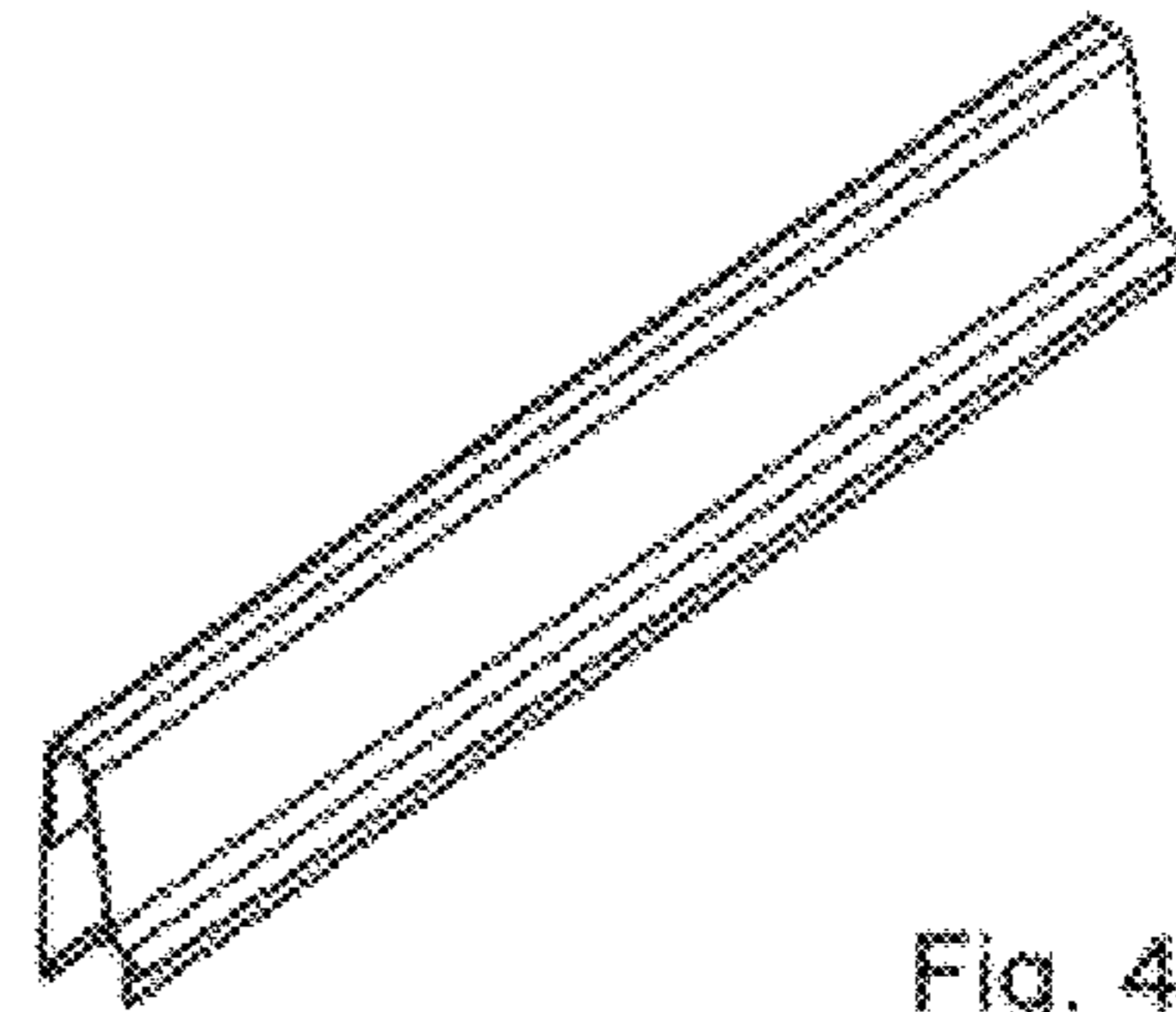


Fig. 4

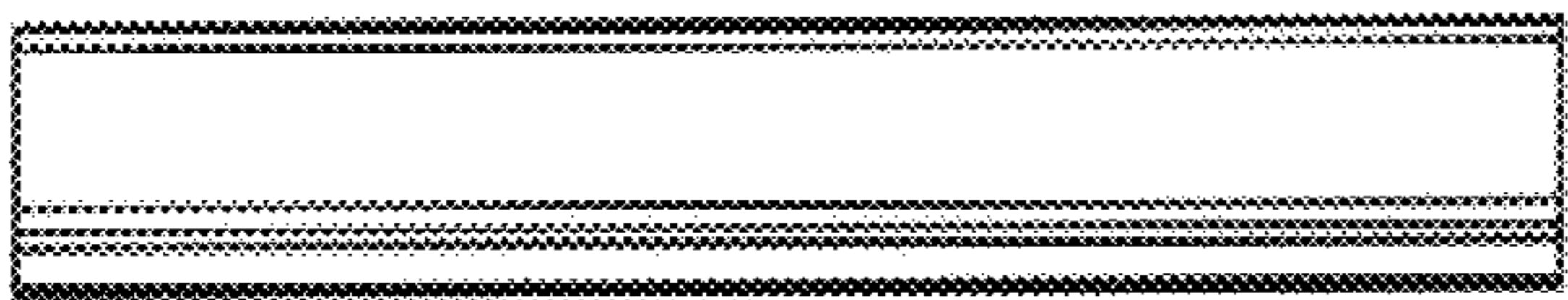


Fig. 5

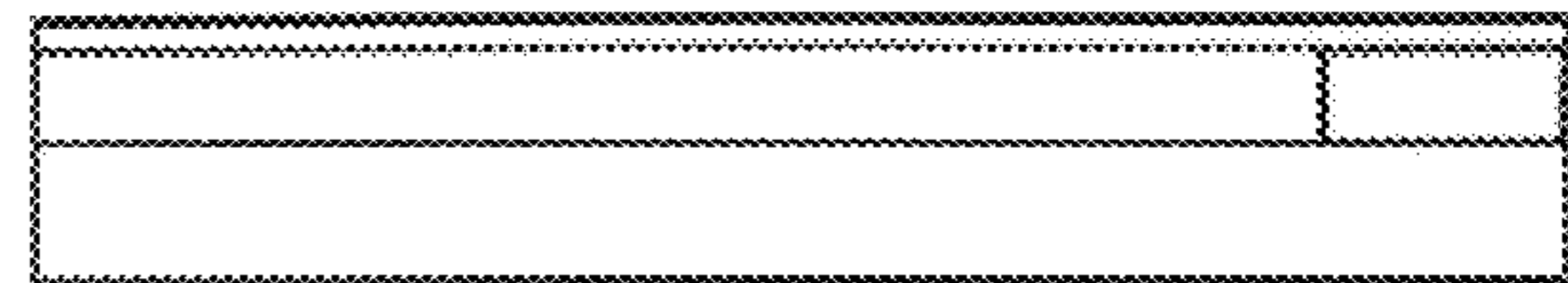


Fig. 6



Fig. 7



Fig. 8