

US00D563118S

(12) **United States Design Patent**  
**Svendsen et al.**

(10) **Patent No.:** **US D563,118 S**

(45) **Date of Patent:** **\*\* Mar. 4, 2008**

(54) **VANITY**

(75) Inventors: **Sean Svendsen**, Woodridge, IL (US);  
**Sherry Jones**, Woodridge, IL (US);  
**Michael Painter**, Woodridge, IL (US)

(73) Assignee: **Globe Union Industrial Corp.**,  
Taichung (TW)

(\*\*) Term: **14 Years**

(21) Appl. No.: **29/280,429**

(22) Filed: **May 29, 2007**

(51) **LOC (8) Cl.** ..... **06-04**

(52) **U.S. Cl.** ..... **D6/441**

(58) **Field of Classification Search** ..... D6/432-434,  
D6/436-448, 470, 472; D23/286, 308; 312/114,  
312/117, 204, 224, 227, 237  
See application file for complete search history.

(56) **References Cited**

**U.S. PATENT DOCUMENTS**

D129,623 S \* 9/1941 Craley ..... D6/441  
D157,362 S \* 2/1950 Francis ..... D6/441

D284,398 S \* 6/1986 Tuduri ..... D23/286  
D338,353 S \* 8/1993 Tihany ..... D6/441  
D457,350 S \* 5/2002 Jeup ..... D6/441  
D535,728 S \* 1/2007 Helmetsie ..... D23/286  
D544,075 S \* 6/2007 Mayer ..... D23/286

\* cited by examiner

*Primary Examiner*—Mimosa De

(74) *Attorney, Agent, or Firm*—Leong C. Lei

(57) **CLAIM**

The ornamental design for a vanity, as shown and described.

**DESCRIPTION**

FIG. 1 is a perspective view of a vanity showing my new design;

FIG. 2 is a front elevational view thereof;

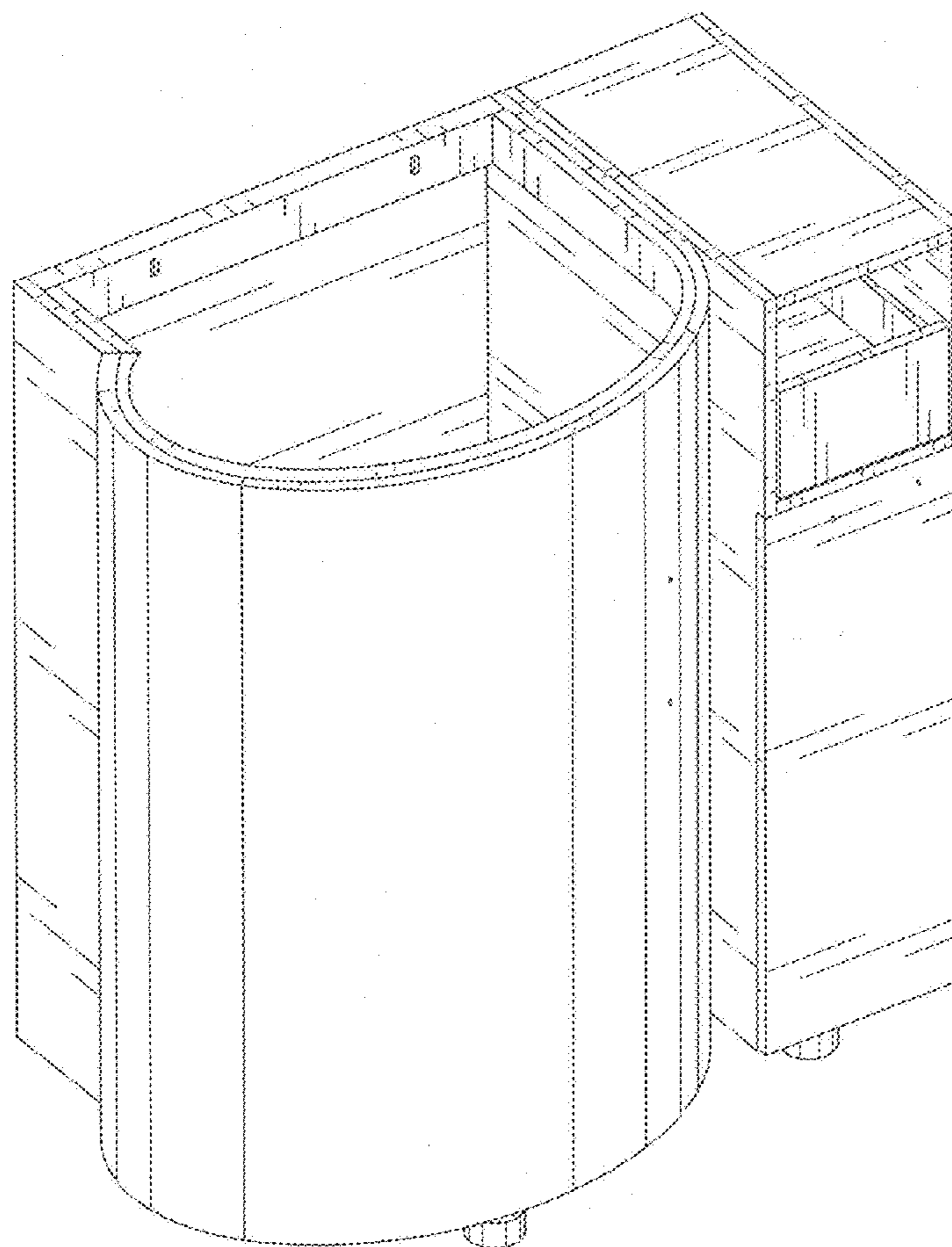
FIG. 3 is a rear elevational view thereof;

FIG. 4 is a left side elevational view thereof;

FIG. 5 is a right side elevational view thereof; and,

FIG. 6 is a top plan view thereof.

**1 Claim, 6 Drawing Sheets**



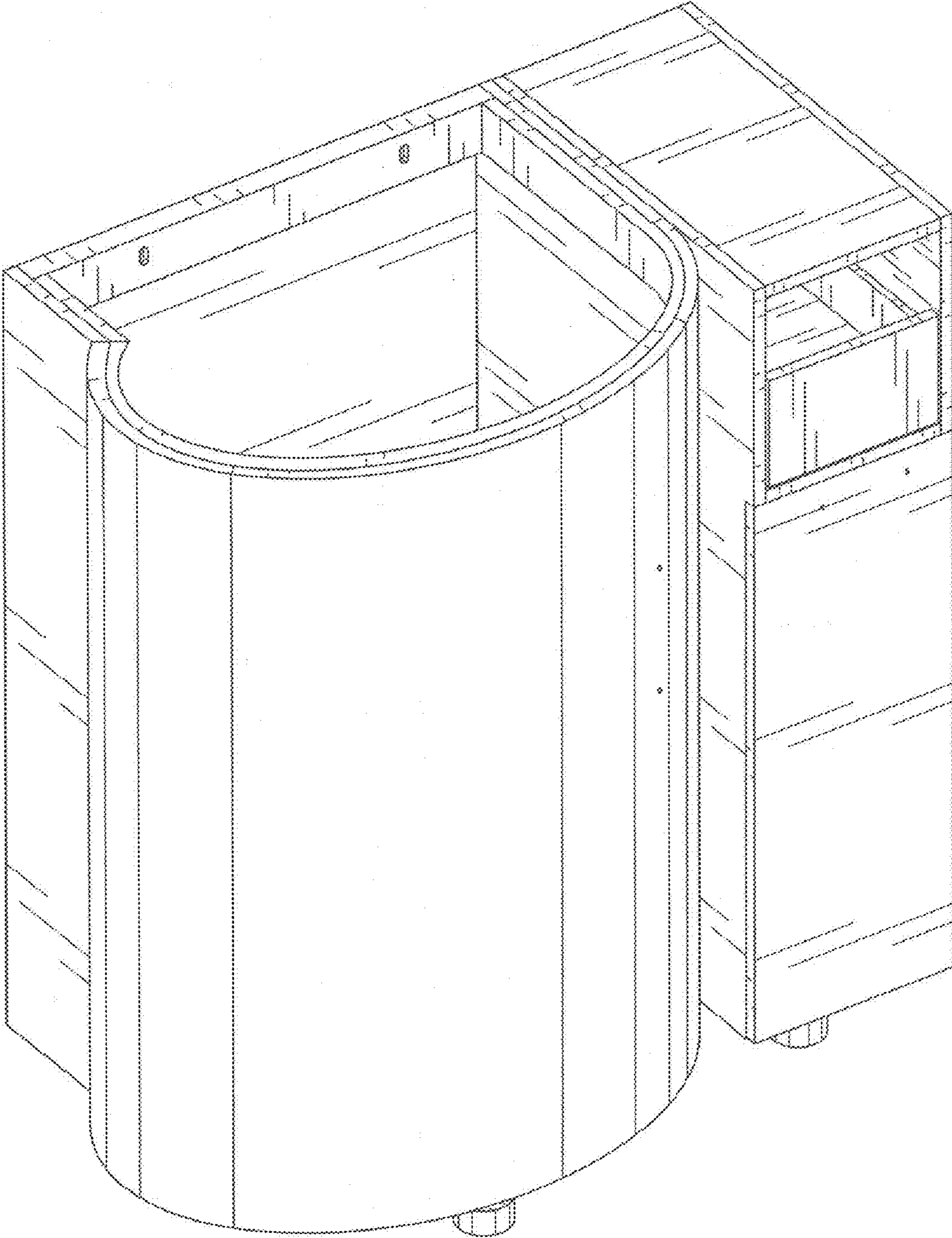


FIG. 1



FIG. 2

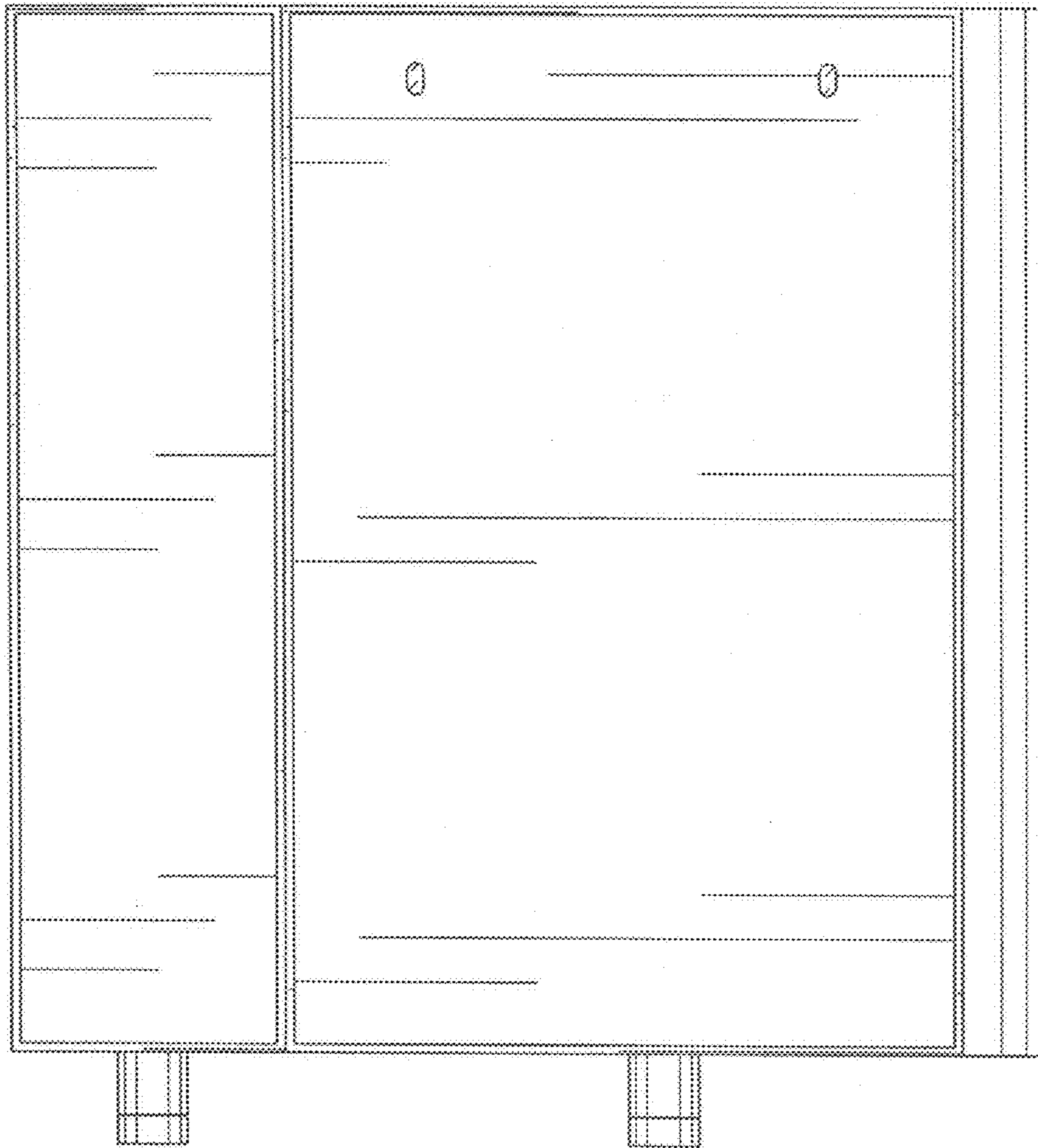


FIG. 3

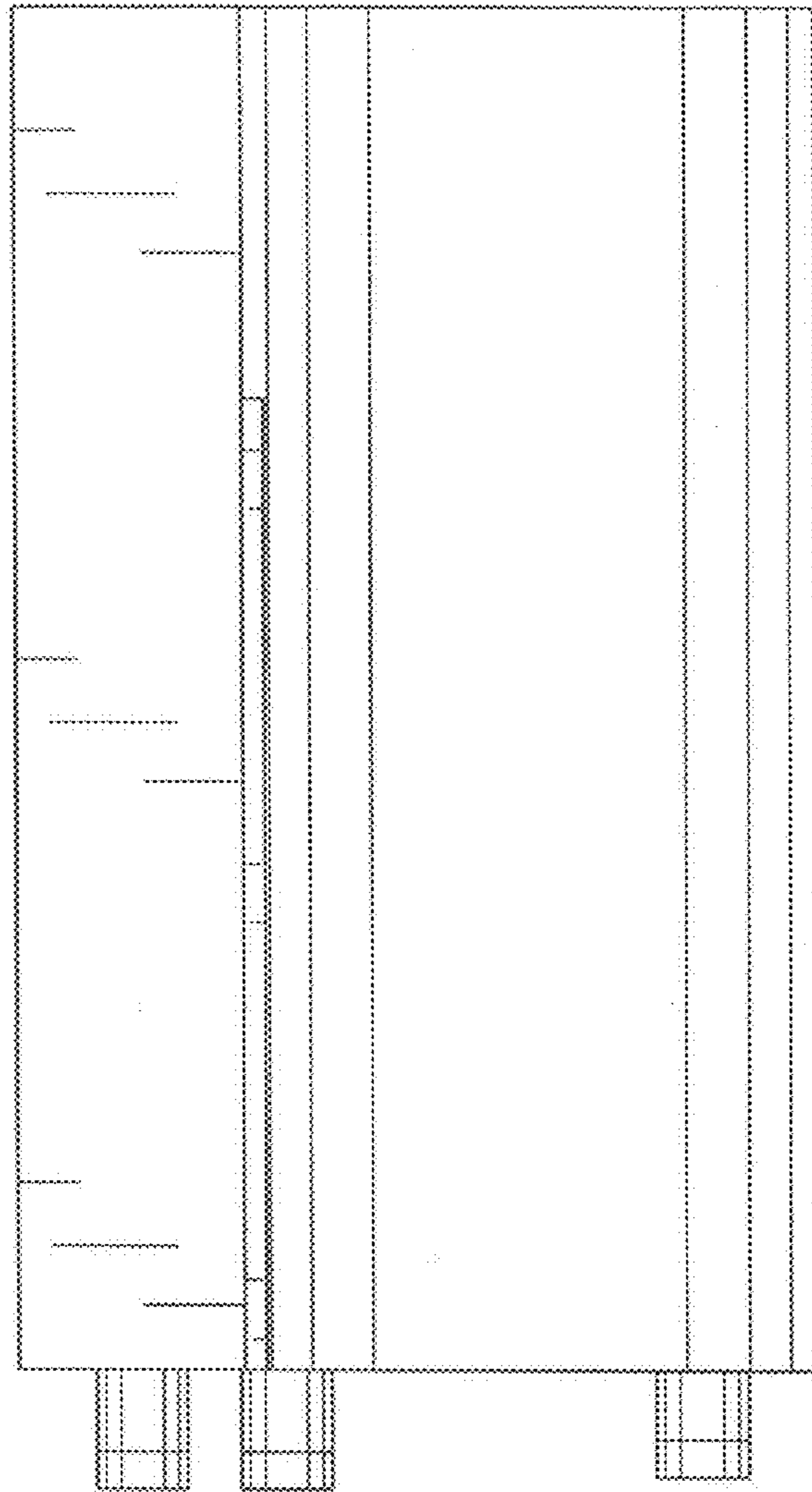


FIG. 4

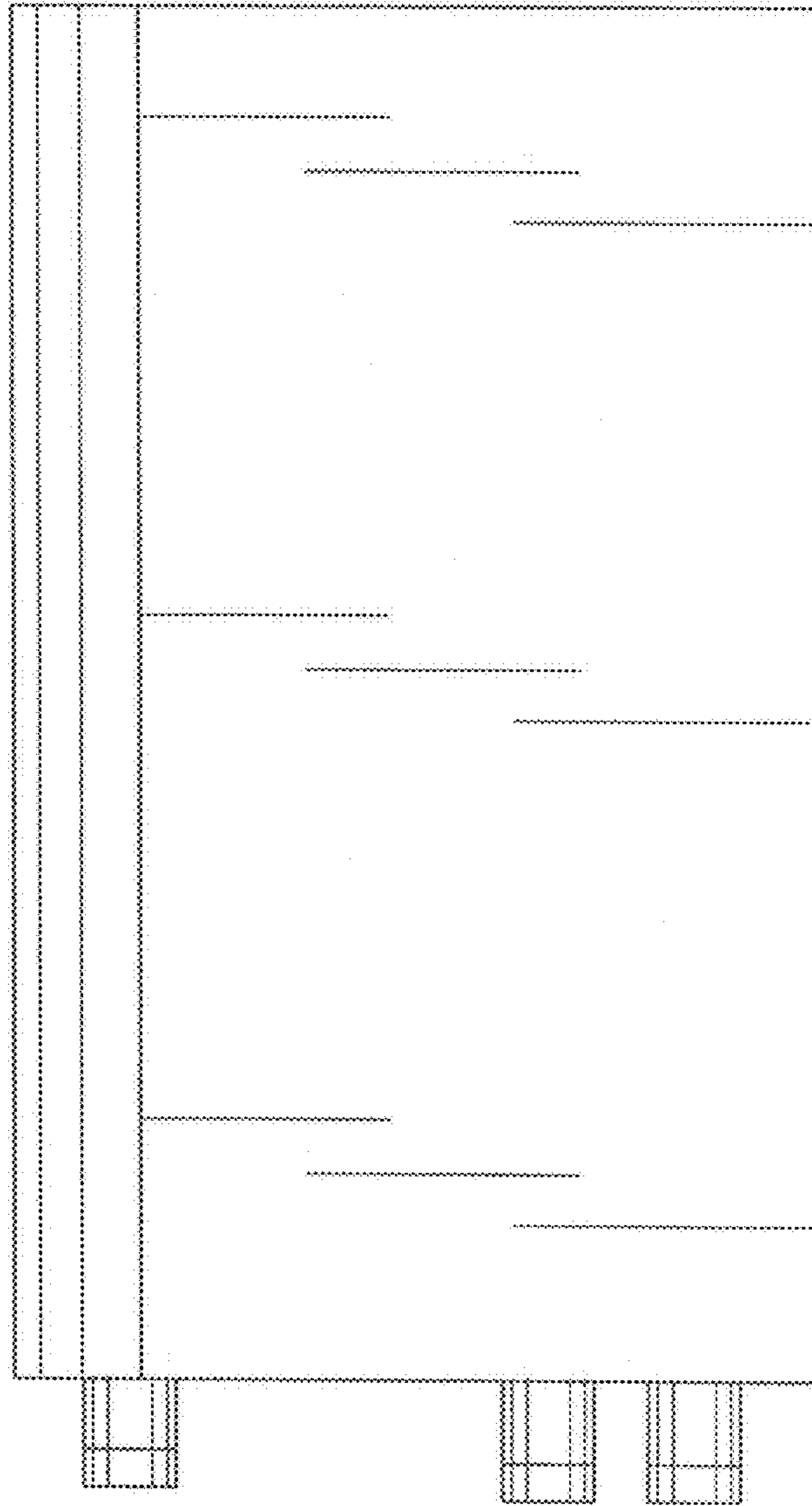


FIG. 5

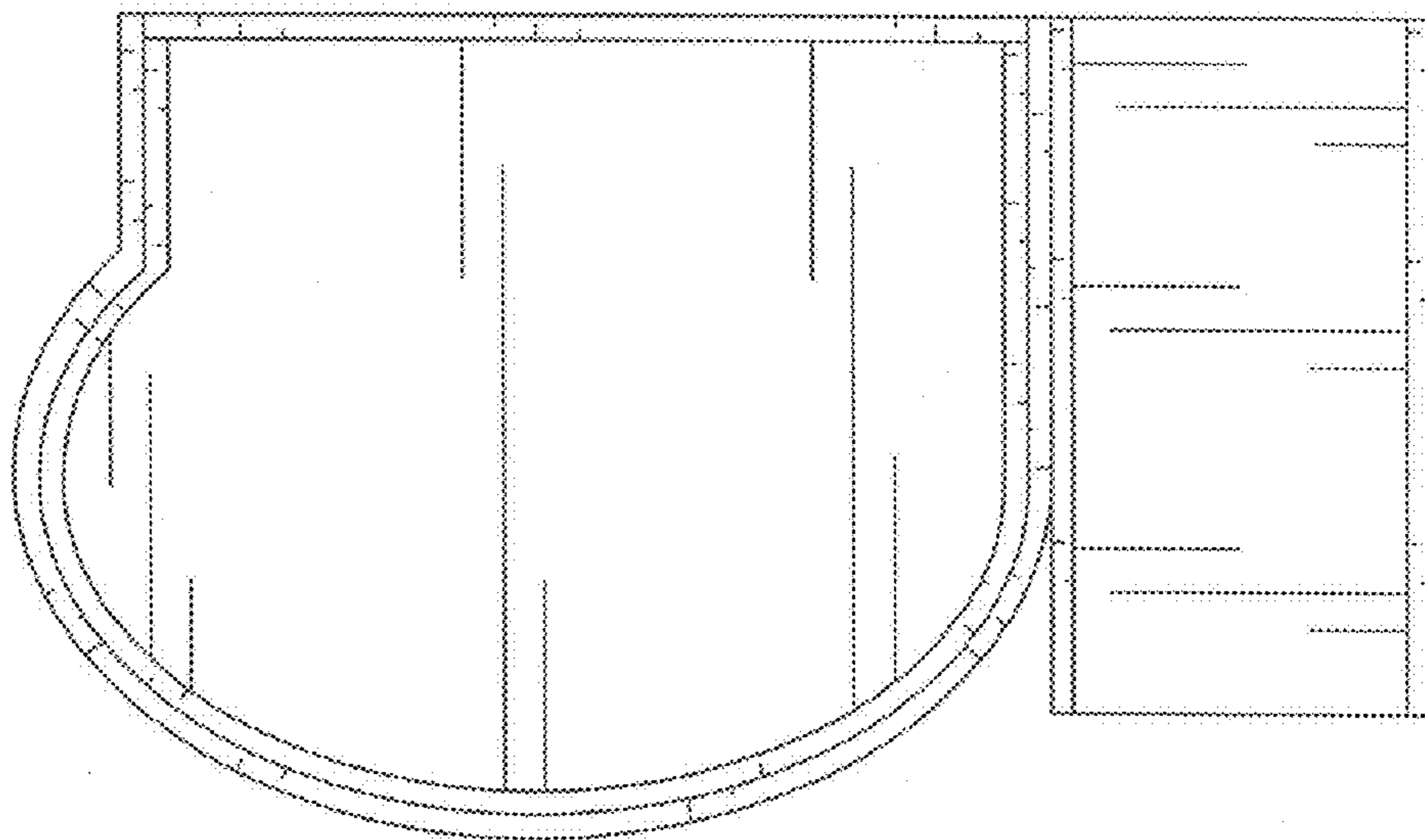


FIG. 6