

US00D563117S

(12) **United States Design Patent**
Mayer et al.

(10) **Patent No.:** **US D563,117 S**

(45) **Date of Patent:** **** Mar. 4, 2008**

(54) **LAVATORY**

Primary Examiner—Cathron C. Brooks
Assistant Examiner—Kelley A. Donnelly

(75) Inventors: **Robert Mayer**, Deerfield Beach, FL (US); **Linda Makhanlall**, Deerfield Beach, FL (US); **Juan Plasencia**, Deerfield Beach, FL (US)

(74) *Attorney, Agent, or Firm*—Fross Zelnick Lehrman & Zissu, P.C.; Charles T. J. Weigell, Esq.

(73) Assignee: **Deco Lav, Inc.**, Deerfield Beach, FL (US)

(57) **CLAIM**

(**) Term: **14 Years**

The ornamental design for a lavatory, as shown and described.

(21) Appl. No.: **29/261,225**

(22) Filed: **Jun. 9, 2006**

(51) **LOC (8) Cl.** **06-04**

DESCRIPTION

(52) **U.S. Cl.** **D6/436; D23/286**

(58) **Field of Classification Search** D6/436, D6/441, 432–448; 312/204, 224; D23/273, D23/284–290, 293.1, 303, 308; 4/619–620, 4/624–625, 630–631

See application file for complete search history.

FIG. 1 is a front perspective view of a lavatory showing my new design;

FIG. 2 is a front view of the lavatory shown in FIG. 1;

FIG. 3 is a right side view of the lavatory shown in FIG. 1 (with the left side view being a mirror image thereof)

FIG. 4 is a top view of the lavatory shown in FIG. 1;

FIG. 5 is a top view of the lavatory shown in FIG. 1, with drawer in open position; and,

FIG. 6 is a bottom view of the lavatory shown in FIG. 1.

The broken lines showing glides, a handle and two faucet holes illustrate portions of the lavatory that form no part of the claimed design.

The rear of the design is plain and unornamented.

(56) **References Cited**

U.S. PATENT DOCUMENTS

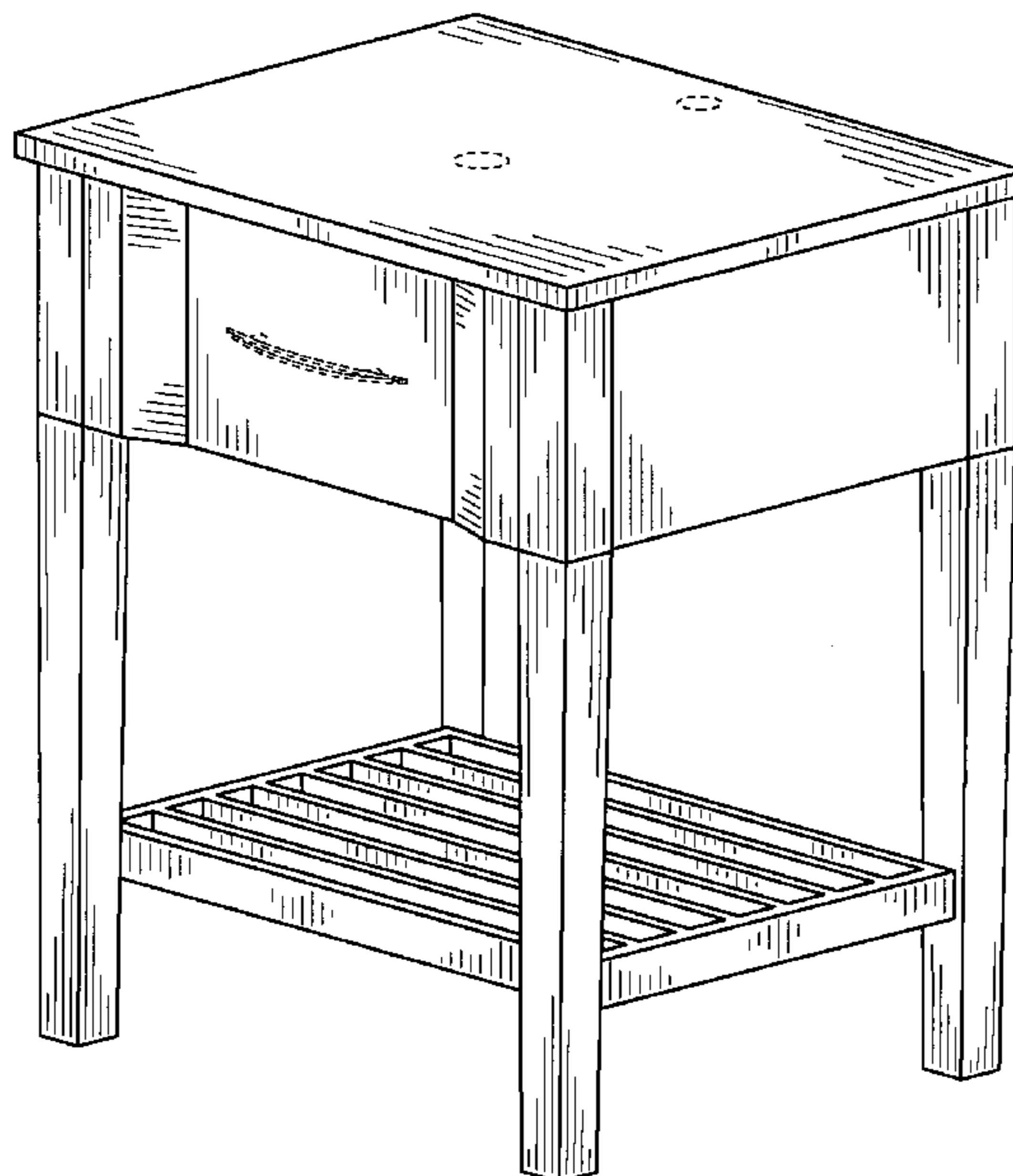
- D457,748 S * 5/2002 Wistehuff, Sr. D6/436
- D496,804 S * 10/2004 Peterson et al. D6/436
- D508,982 S * 8/2005 Mayer D23/286
- D535,492 S * 1/2007 Domack et al. D6/436
- D538,899 S * 3/2007 Mayer D23/286

OTHER PUBLICATIONS

Decolav, Photograph of Decolav Model No. #1570, commercially available as of Sep. 2004.

* cited by examiner

1 Claim, 6 Drawing Sheets



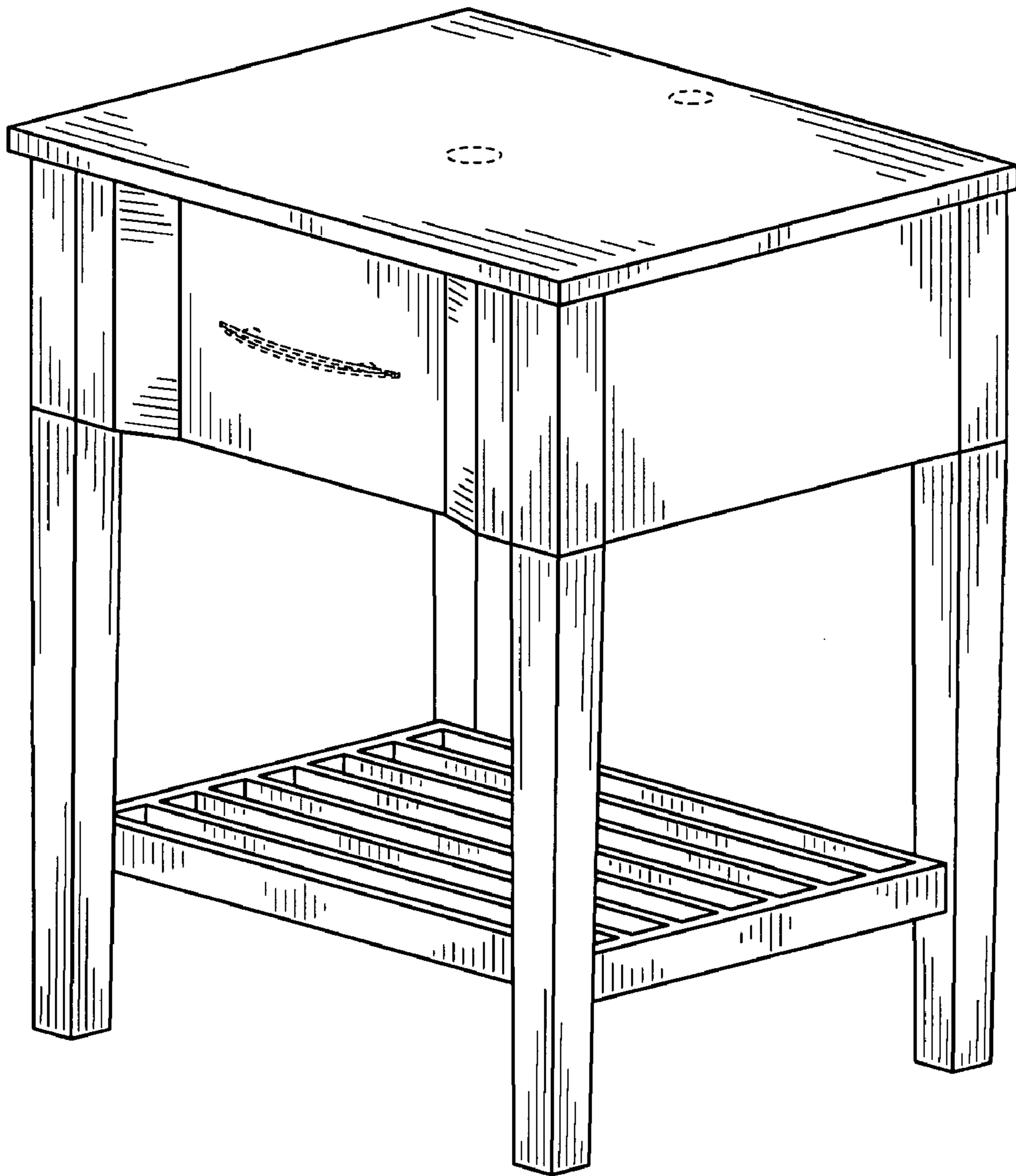


FIG. 1

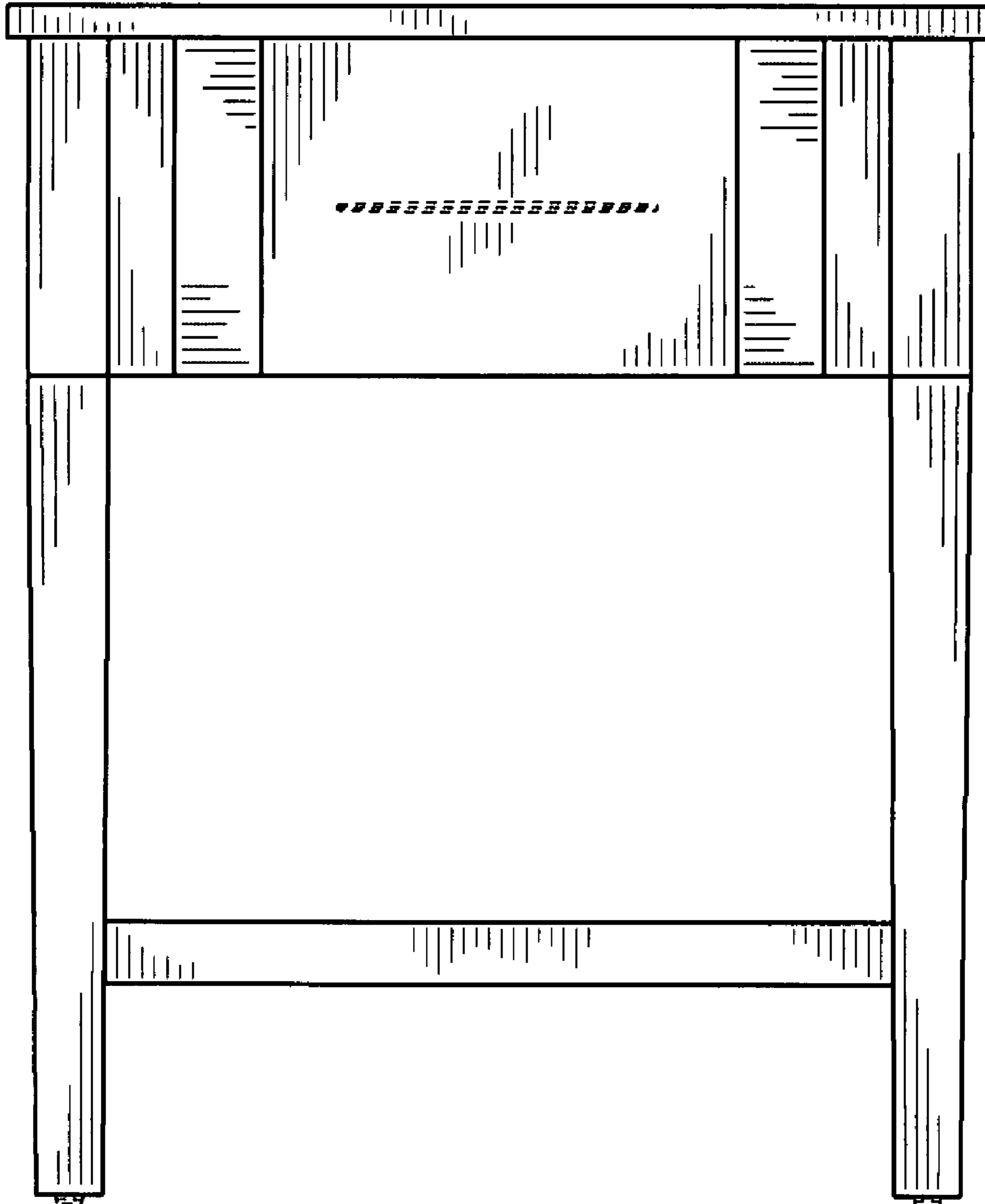


FIG. 2

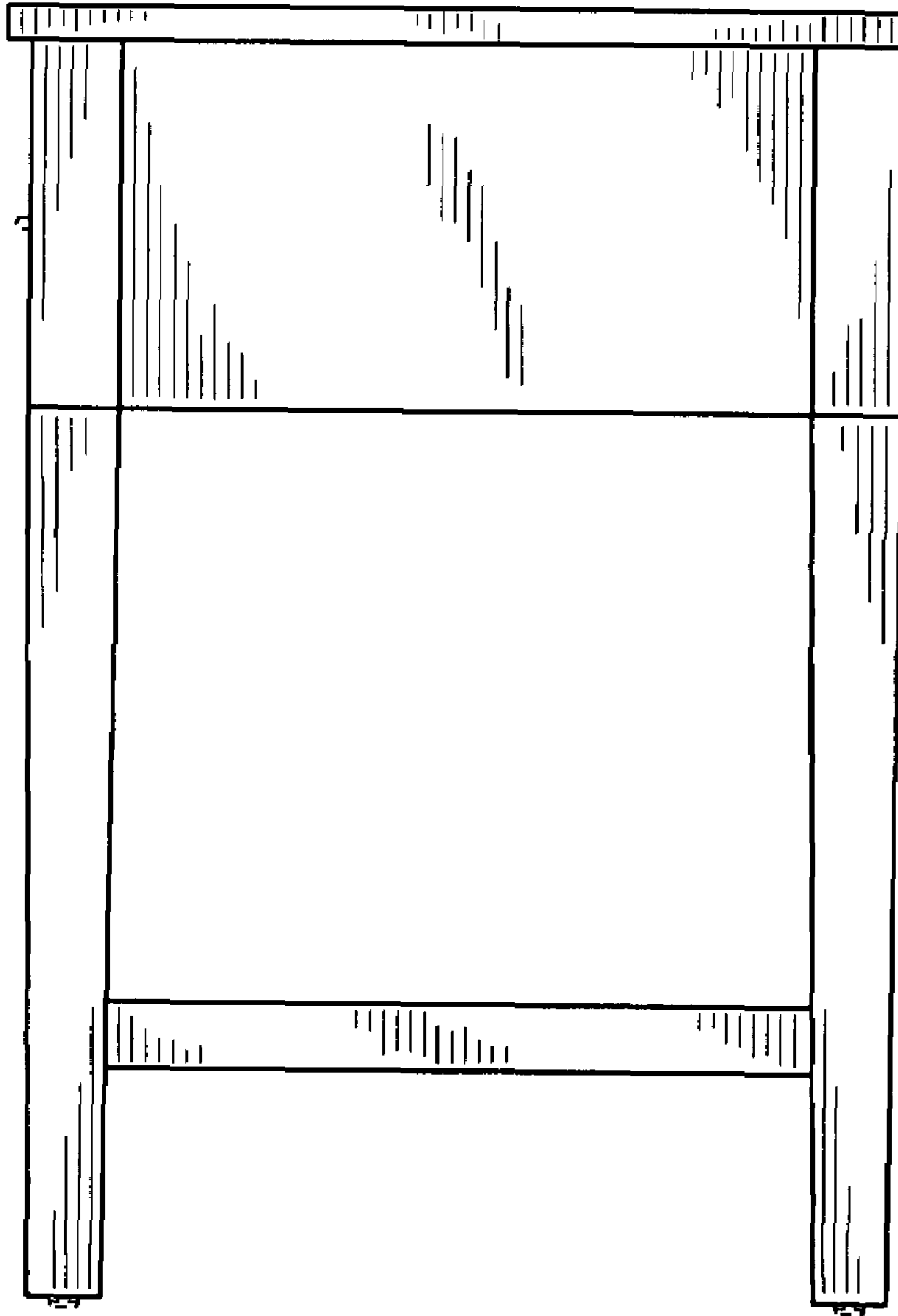


FIG. 3

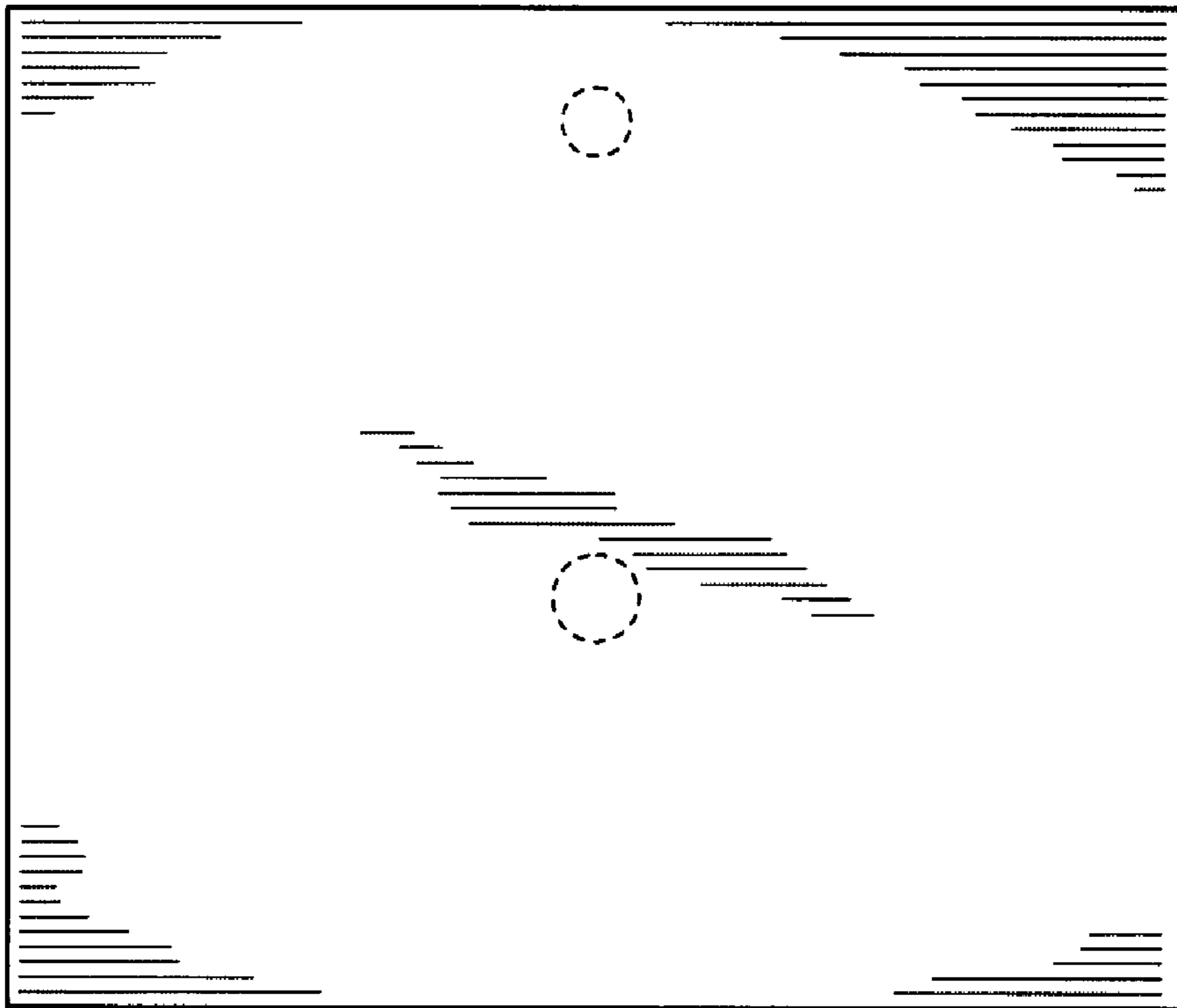


FIG. 4

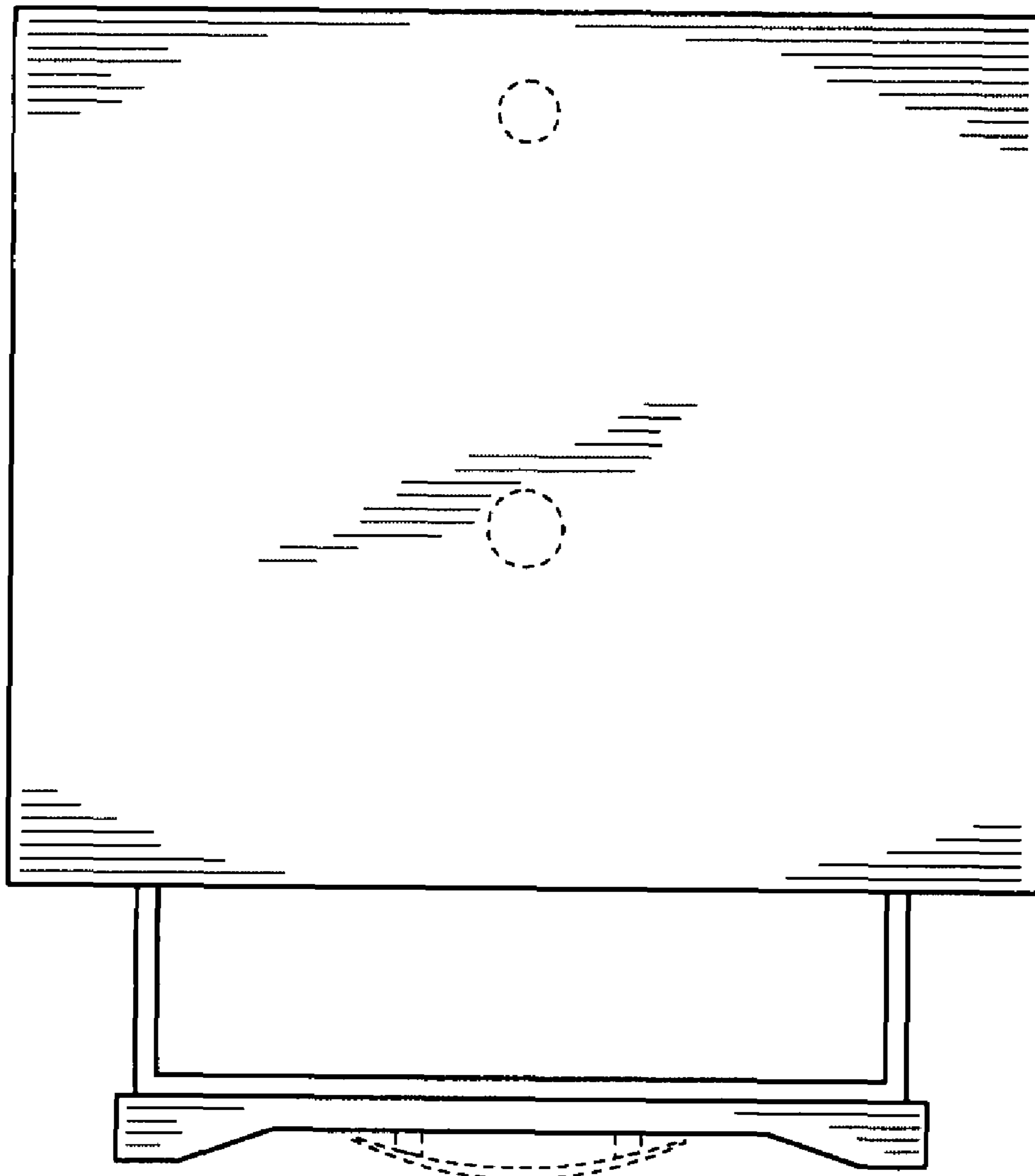


FIG. 5

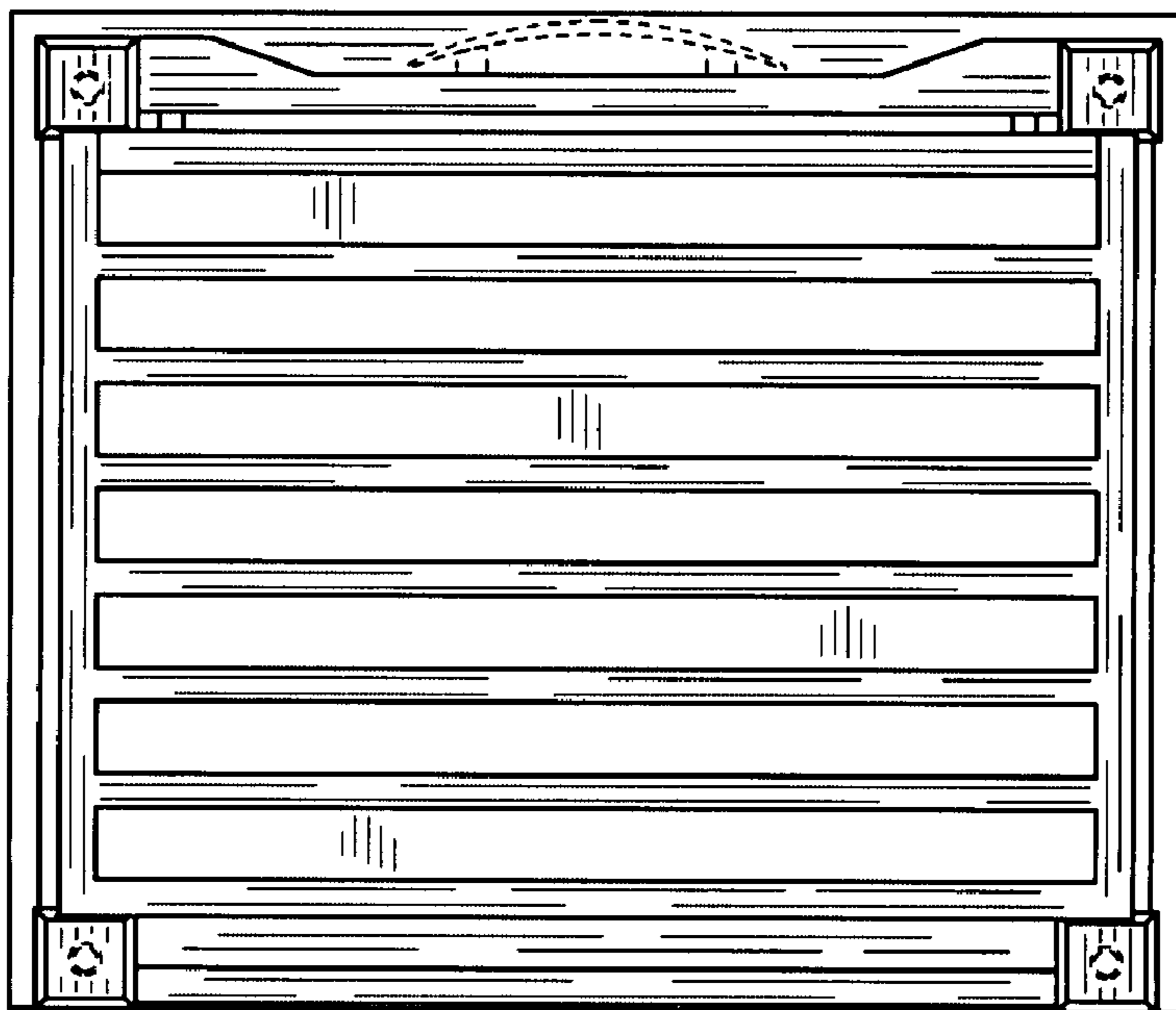


FIG. 6