

US00D563116S

(12) **United States Design Patent**
Atkins

(10) **Patent No.:** **US D563,116 S**
(45) **Date of Patent:** **** Mar. 4, 2008**

(54) **EQUIPMENT CONSOLE**

(75) Inventor: **William D. Atkins**, Osage Beach, MO (US)

(73) Assignee: **Argosy Console, Inc.**, Osage Beach, MO (US)

(**) Term: **14 Years**

(21) Appl. No.: **29/280,815**

(22) Filed: **Jun. 7, 2007**

Related U.S. Application Data

(62) Division of application No. 29/267,065, filed on Oct. 4, 2006.

(51) **LOC (8) Cl.** **06-03**

(52) **U.S. Cl.** **D6/426; D6/429; D14/217**

(58) **Field of Classification Search** D14/167, D14/168, 175, 179, 188, 197, 198, 210, 211, D14/217; D6/329, 396, 407, 422-426, 429, D6/430, 480, 495; D13/162-164; 84/625, 84/660, 697; 108/50.01, 50.02, 59, 60, 64; 312/194-196, 239; 381/28, 103, 118-120; 455/350; D24/234

See application file for complete search history.

(56) **References Cited**

U.S. PATENT DOCUMENTS

119,316 A	9/1871	Carter et al.	
D184,063 S	12/1958	Moore et al.	
D186,894 S	12/1959	Henrikson	
D192,919 S	4/1962	Daley	
D193,616 S	9/1962	Heininger et al.	
D202,196 S	9/1965	Beckman	
D209,683 S *	12/1967	Barecki et al. D14/162
D216,314 S	12/1969	Jacobs et al.	

(Continued)

OTHER PUBLICATIONS

"Made in the Jade," EQ Magazine, Oct. 1993, p. 49.
Mix Magazine, Dec. 1994, p. 199.

Brochure entitled "Argosy Console, Inc. - Power Housing-Your Mackie 8-Bus System" dated 1996.

Mix Magazine, Jul. 1996, pp. 3, 19, 29, 31, 62, 63, 64, 67, 71, 77, 78, 80, 82, 142, 203, and 239.

Omnirax, 1999, Synergy 600 and 800, pp. 14-15.

Mix Magazine, Jan. 2003, p. 199.

Primary Examiner—Stella M. Reid

Assistant Examiner—Keli' L. Acker

(74) *Attorney, Agent, or Firm*—Senninger Powers

(57) **CLAIM**

The ornamental design for a equipment console, as shown and described.

DESCRIPTION

FIG. 1 is a perspective view of a first embodiment of an equipment console, embodying my new design;

FIG. 2 is a front elevation view thereof;

FIG. 3 is a rear elevation view thereof;

FIG. 4 is a left side elevation view thereof;

FIG. 5 is a right side elevation view thereof;

FIG. 6 is a top plan view thereof;

FIG. 7 is a bottom plan view thereof;

FIG. 8 is a perspective view of a second embodiment of an equipment console, embodying my new design;

FIG. 9 is a front elevation view thereof;

FIG. 10 is a rear elevation view thereof;

FIG. 11 is a left side elevation view thereof;

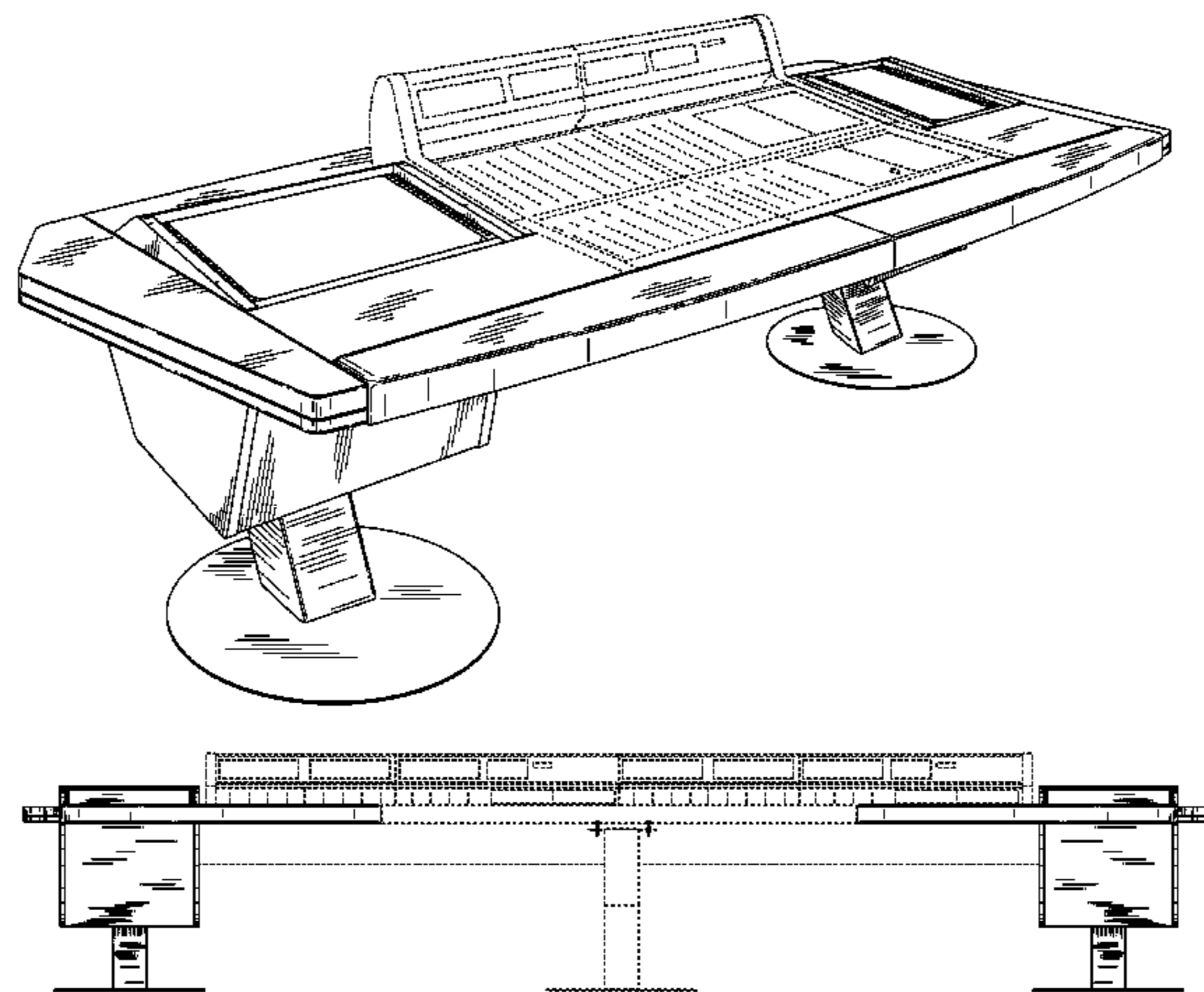
FIG. 12 is a right side elevation view thereof;

FIG. 13 is a top plan view thereof; and,

FIG. 14 is a bottom plan view thereof.

The broken lines in the drawings indicate environmental structure and portions of the equipment console forming no part of the design.

1 Claim, 12 Drawing Sheets



US D563,116 S

Page 2

U.S. PATENT DOCUMENTS

D216,889 S	3/1970	Staley et al.	D360,881 S	8/1995	Johnson
D220,113 S	3/1971	Trombly	5,477,337 A	12/1995	Schuler
D222,977 S	2/1972	Schubert et al.	D371,255 S	7/1996	Richard
D239,350 S	3/1976	Vogt	D375,747 S	11/1996	East
4,113,331 A	9/1978	Derdzinski et al.	D381,835 S	8/1997	Corpuz et al.
4,409,906 A	10/1983	Alneng	5,675,557 A	10/1997	Hubinger
D291,196 S	8/1987	Ito et al.	D391,415 S	3/1998	O'Sullivan et al.
4,781,126 A	11/1988	Lochridge	D396,467 S	7/1998	Atkins
D300,490 S	4/1989	Helstab	5,906,035 A *	5/1999	Atkins 29/401.1
4,838,177 A	6/1989	Vander Park	D424,324 S *	5/2000	Atkins D6/426
D319,742 S	9/1991	Rodenburg	D425,344 S	5/2000	Barlow-Lawson
D344,726 S	3/1994	Amiya	D447,650 S	9/2001	Atkins
D349,705 S	8/1994	Ito et al.	6,438,241 B1 *	8/2002	Silfvast et al. 381/119
5,402,501 A	3/1995	Silfvajt et al.			

* cited by examiner

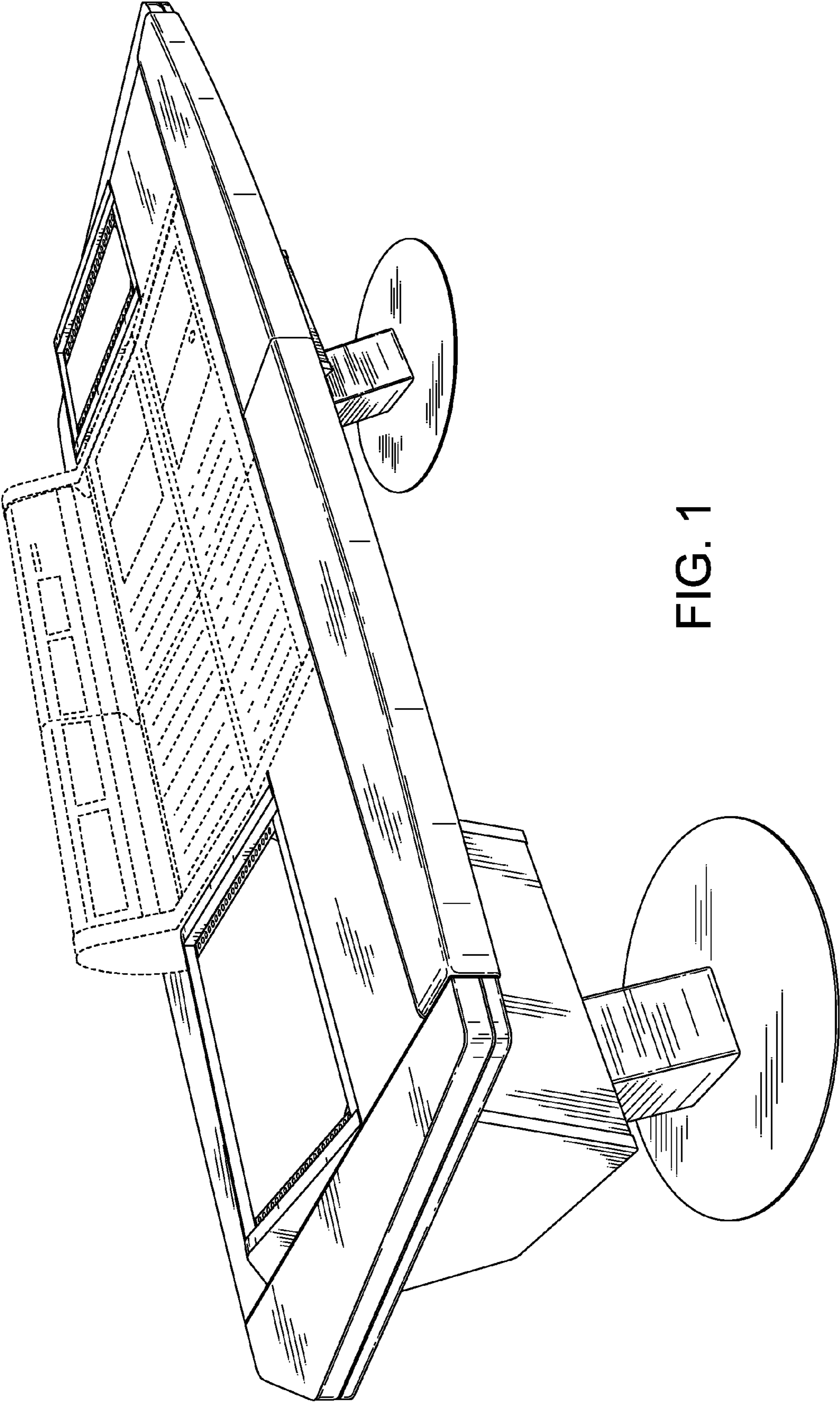


FIG. 1

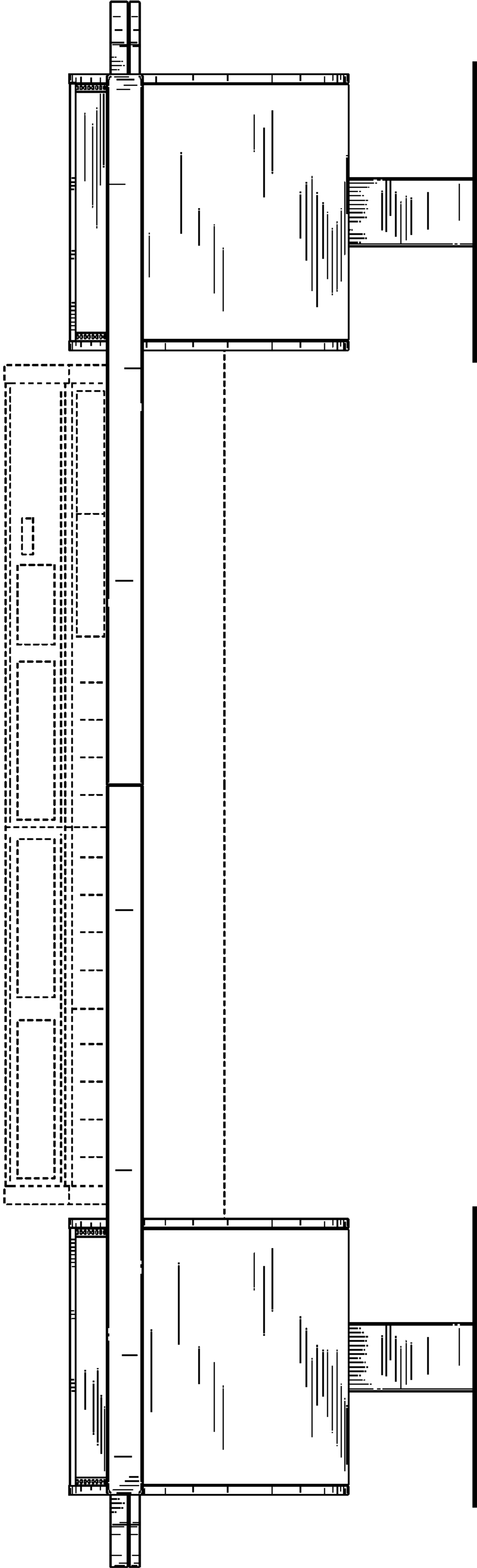


FIG. 2

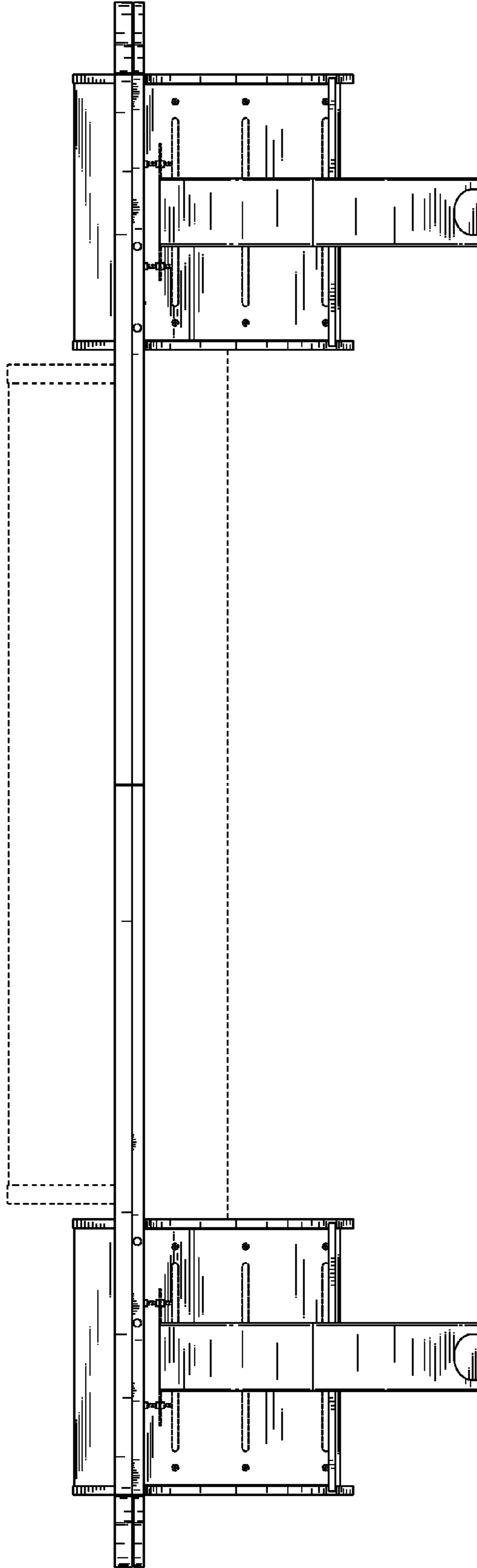


FIG. 3

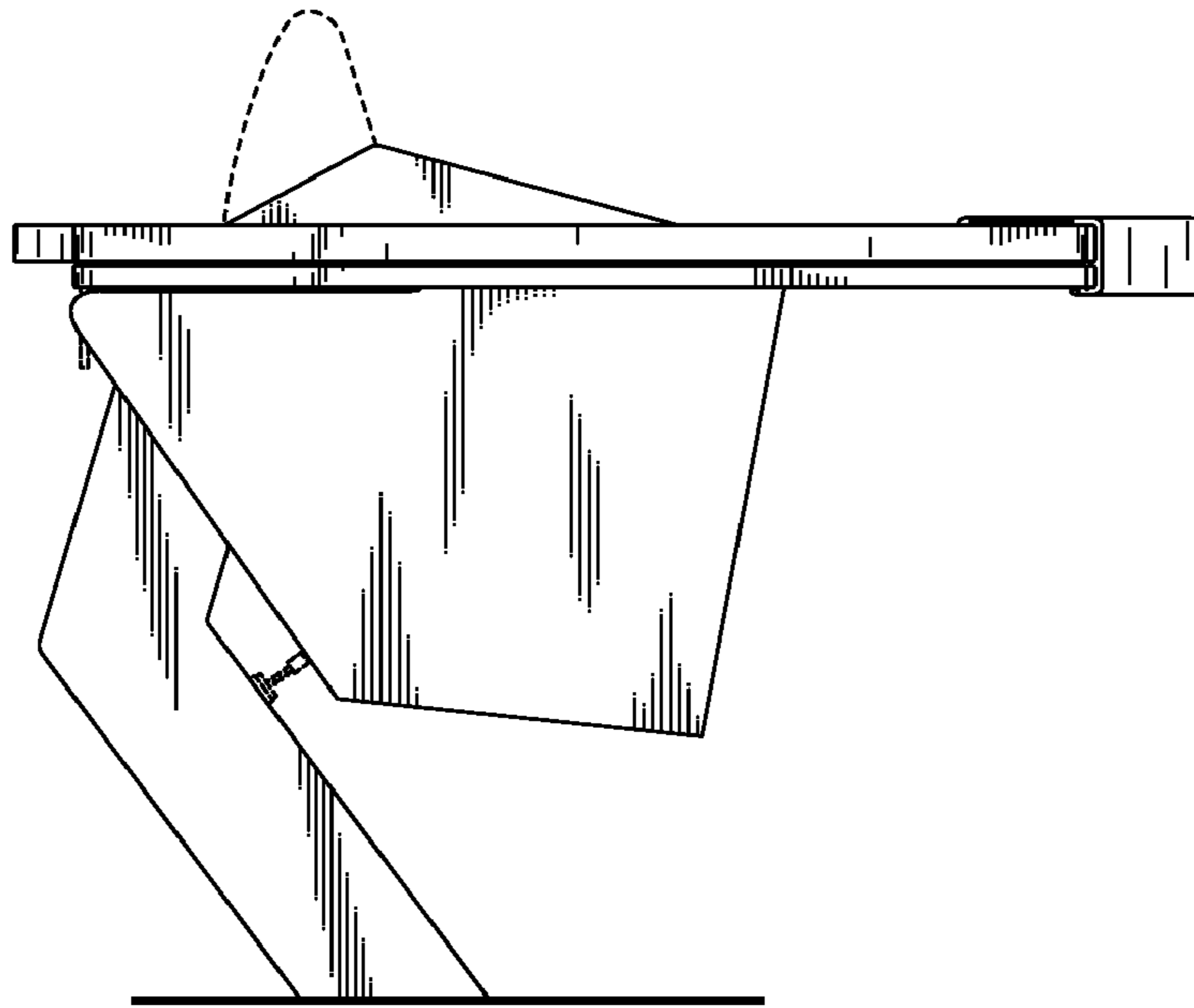


FIG. 4

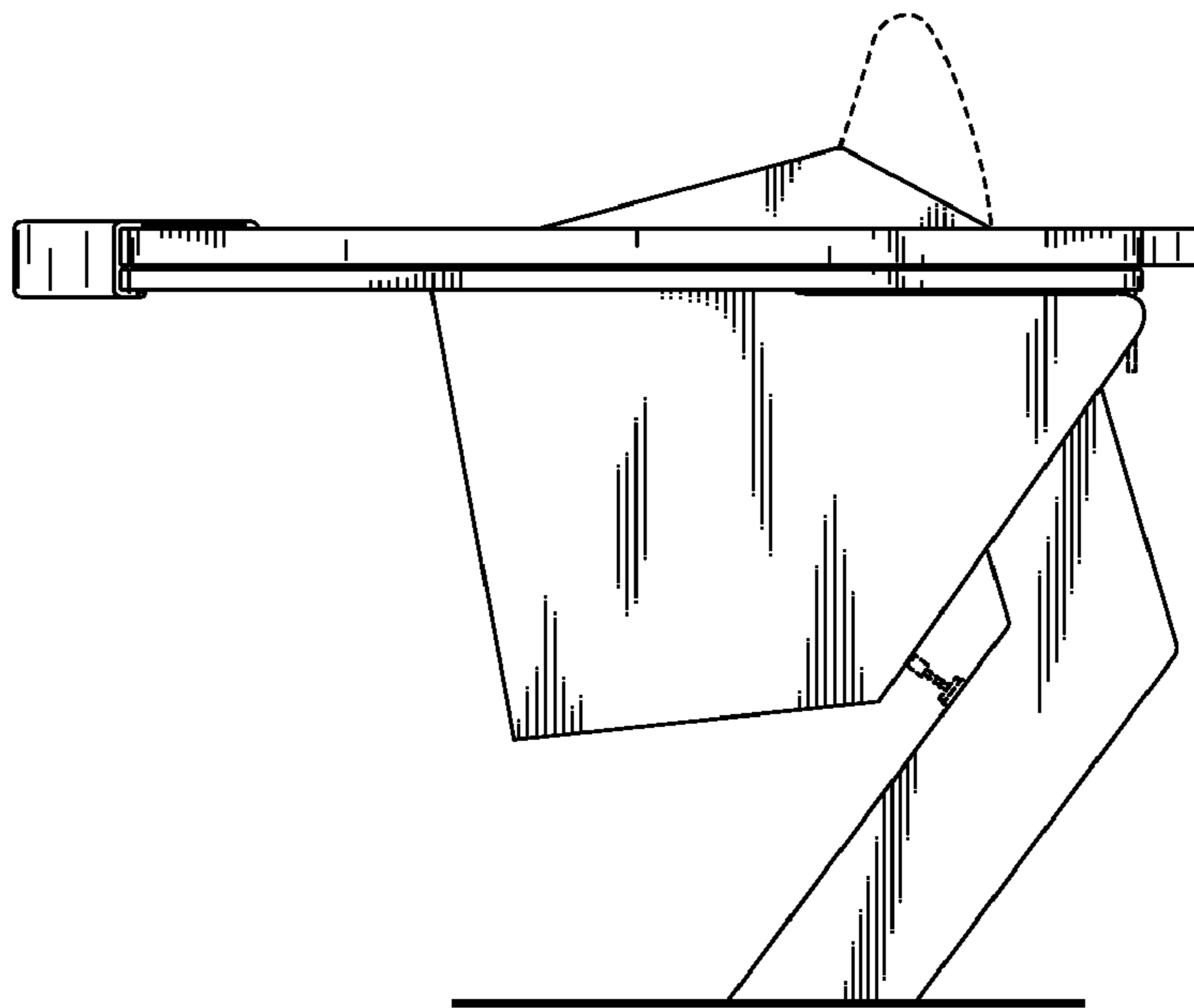


FIG. 5

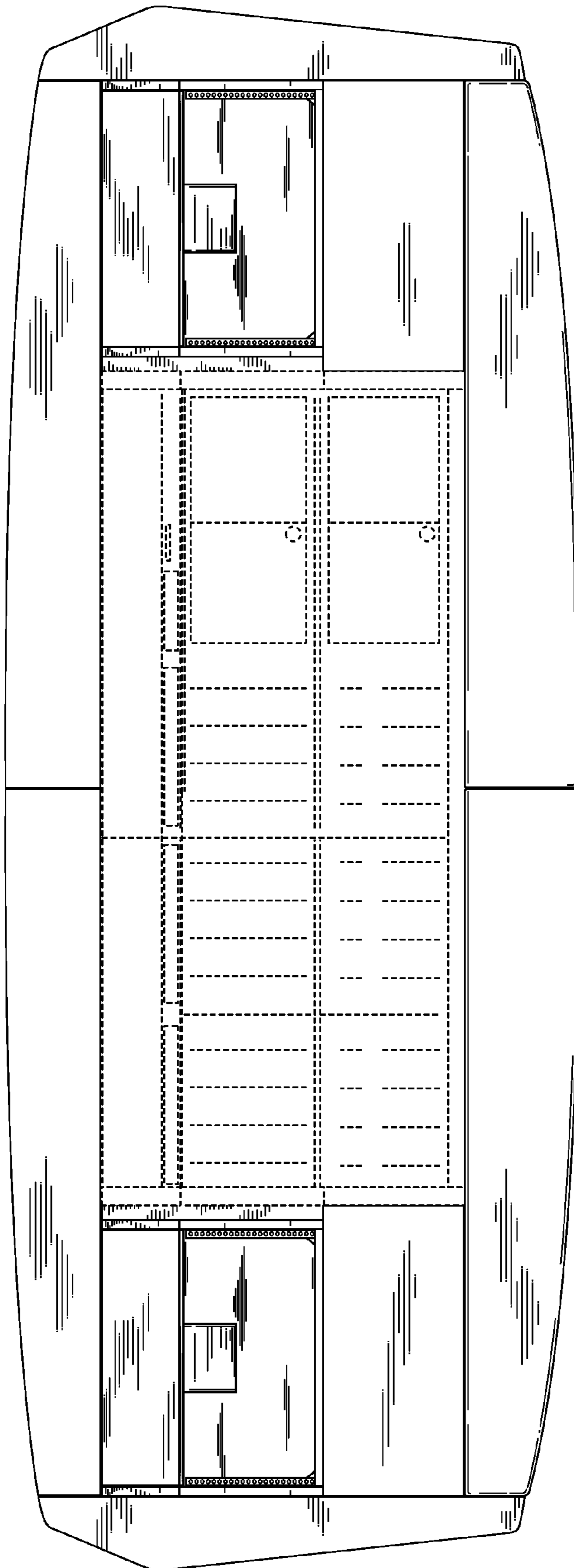


FIG. 6

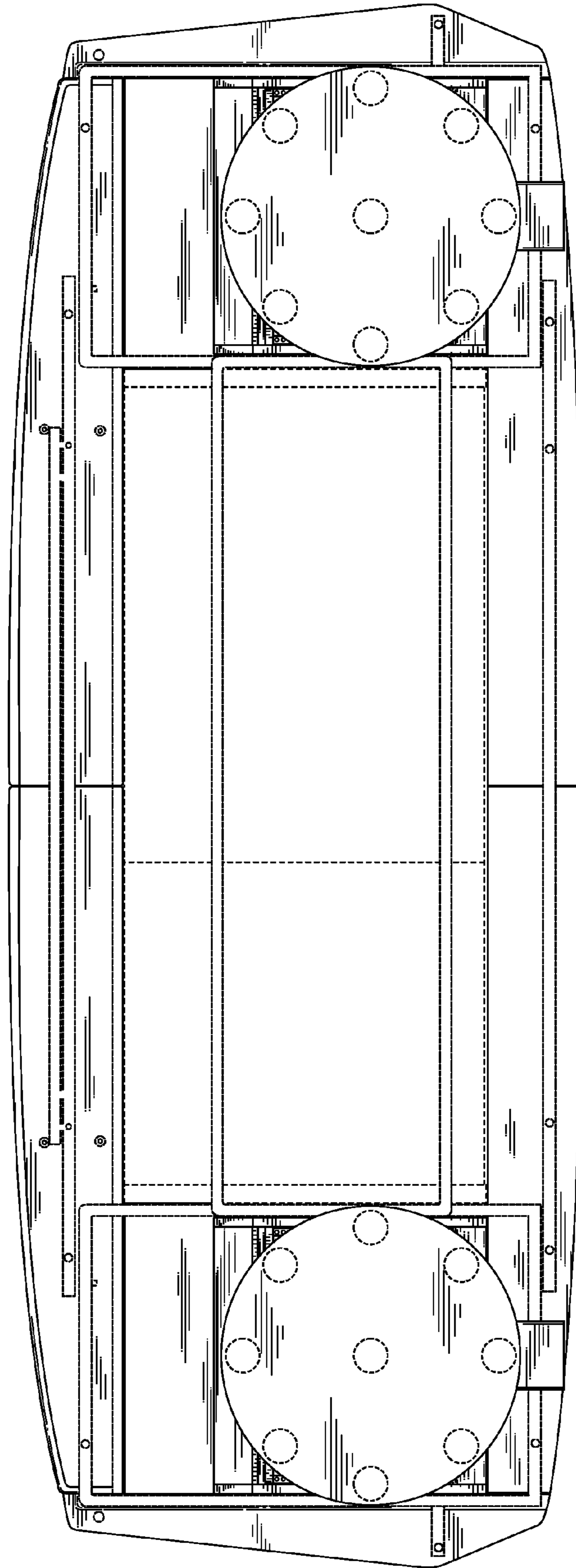


FIG. 7

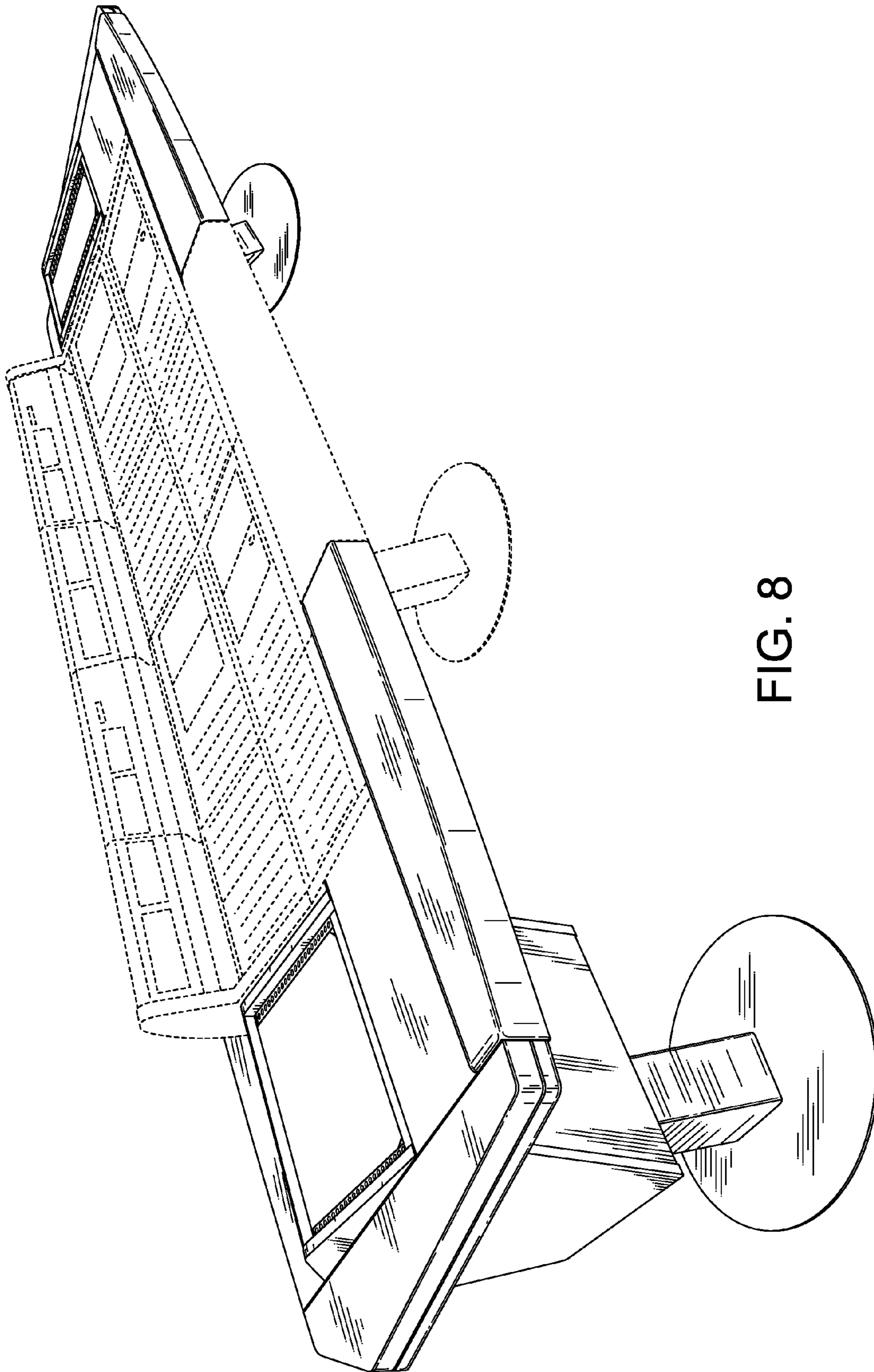


FIG. 8

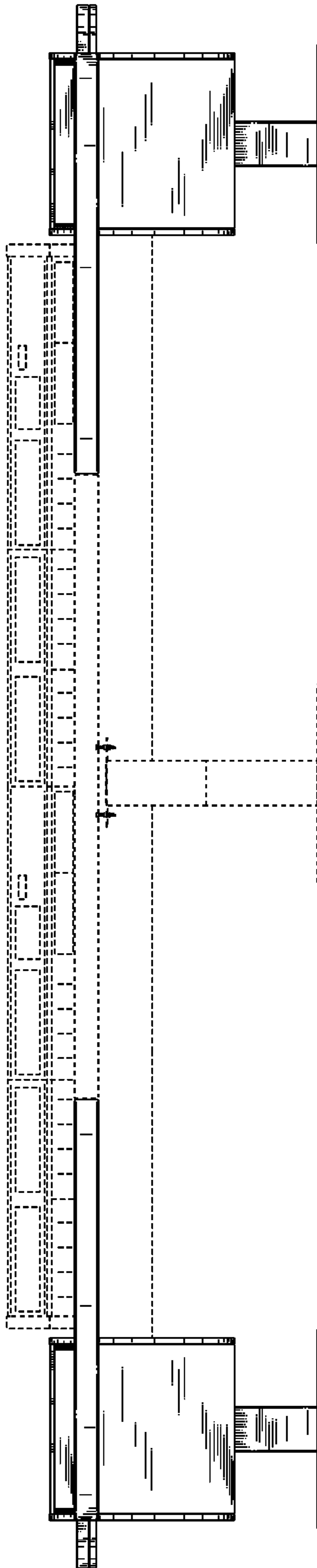


FIG. 9

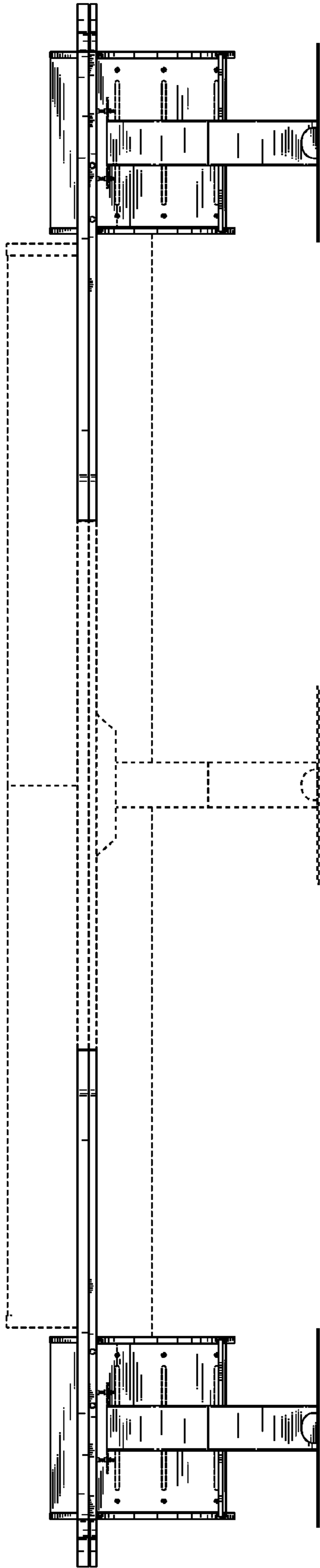


FIG. 10

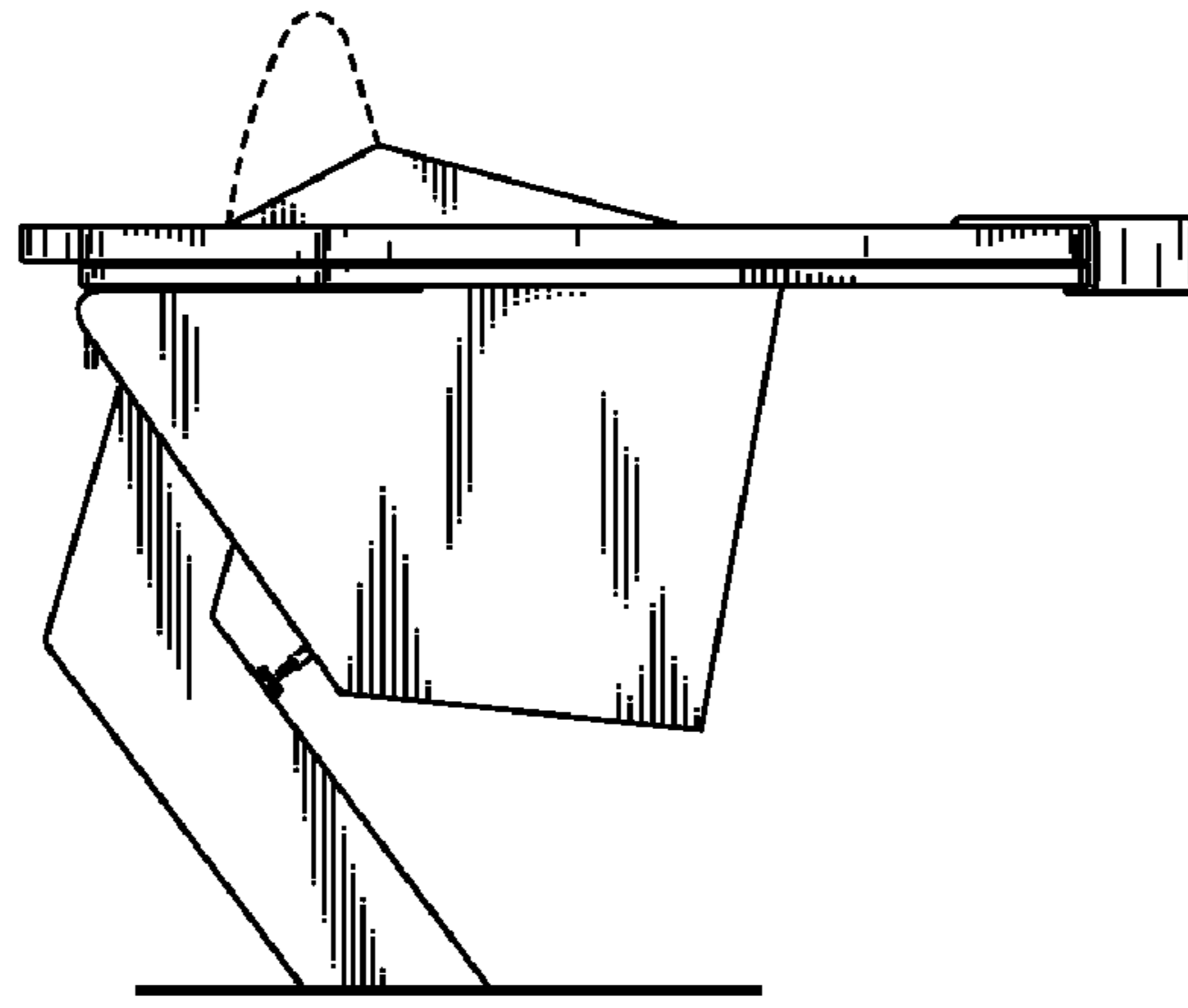


FIG. 11

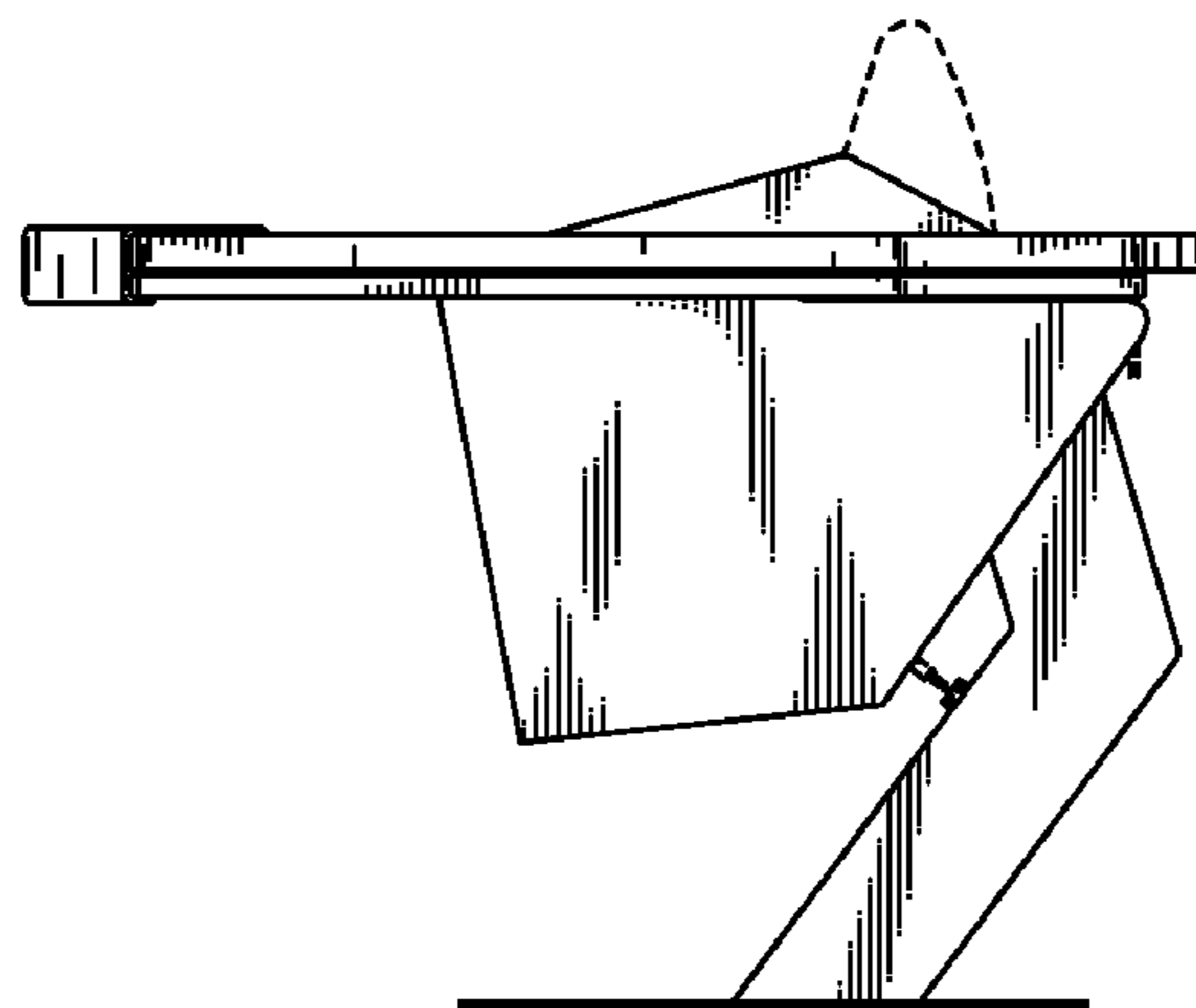


FIG. 12

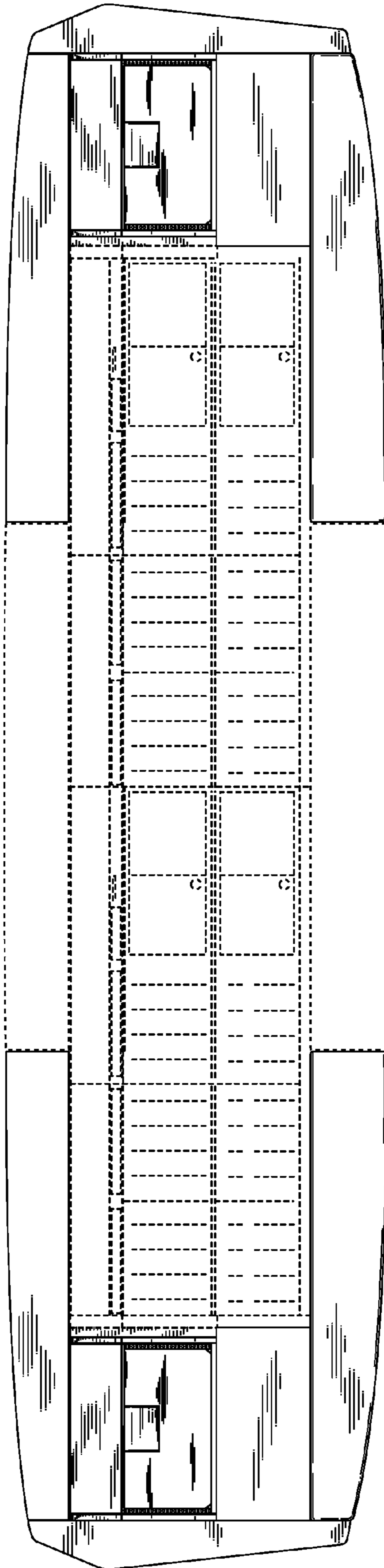


FIG. 13

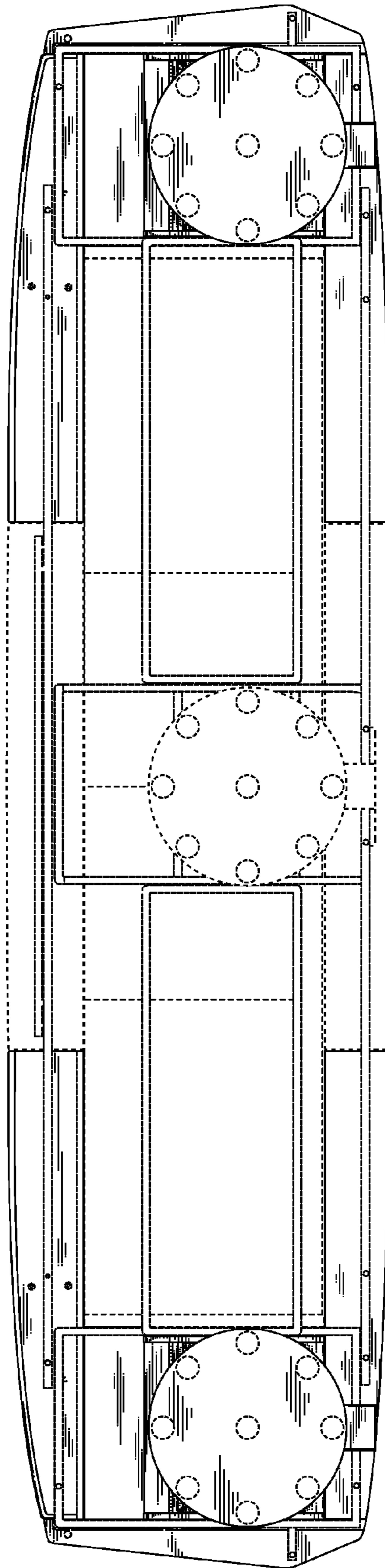


FIG.14