

US00D563114S

(12) **United States Design Patent**  
**Pegg**

(10) **Patent No.:** **US D563,114 S**  
(45) **Date of Patent:** **\*\* Mar. 4, 2008**

(54) **COCKPIT TABLE FOR SAILBOAT**

(75) Inventor: **John Pegg**, Stoney Creek (CA)

(73) Assignees: **Dowsar Yacht Sales Limited**,  
Hamilton, Ontario (CA); **J.P.'s Marine**  
**Services Incorporated**, Stoney Creek,  
Ontario (CA)

(\*\*) Term: **14 Years**

(21) Appl. No.: **29/231,018**

(22) Filed: **Jun. 1, 2005**

(30) **Foreign Application Priority Data**

May 26, 2005 (CA) ..... 111354

(51) **LOC (8) Cl.** ..... **06-06**

(52) **U.S. Cl.** ..... **D6/406.1**

(58) **Field of Classification Search** ..... D6/406.1,  
D6/406.2, 406.3, 406.4, 406.5, 406.6, 339,  
D6/419, 396; D12/400, 415, 416, 425, 426.1;  
D19/52, 65, 35, 92; 280/727; 296/3, 37.1;  
297/148, 153; 224/400; D7/550.1, 554.3,  
D7/554.4, 698

See application file for complete search history.

(56) **References Cited**

**U.S. PATENT DOCUMENTS**

D104,500 S \* 5/1937 Moore ..... D6/511  
2,647,716 A \* 8/1953 Hudziak et al. .... 248/231.81  
D272,402 S \* 1/1984 Marujo ..... D6/574

D305,632 S \* 1/1990 Kraklio ..... D12/400  
D309,065 S \* 7/1990 Huff ..... D6/429  
D356,532 S \* 3/1995 Butzman ..... D12/133  
D377,294 S \* 1/1997 Brady ..... D7/554.3  
D380,944 S \* 7/1997 Nielsen ..... D7/698  
D445,395 S \* 7/2001 Okerlund et al. .... D12/400  
D445,757 S \* 7/2001 Adams et al. .... D12/406  
D458,579 S \* 6/2002 Adams et al. .... D12/406  
D473,065 S \* 4/2003 Wilson et al. .... D6/406.1  
D481,350 S \* 10/2003 McCoy et al. .... D12/400

\* cited by examiner

*Primary Examiner*—Elizabeth A. Albert

*Assistant Examiner*—Abraham Bahta

(74) *Attorney, Agent, or Firm*—Robert F. Delbridge;  
Gowling Lafleur Henderson

(57) **CLAIM**

The ornamental design for a cockpit table for sailboat, as shown and described.

**DESCRIPTION**

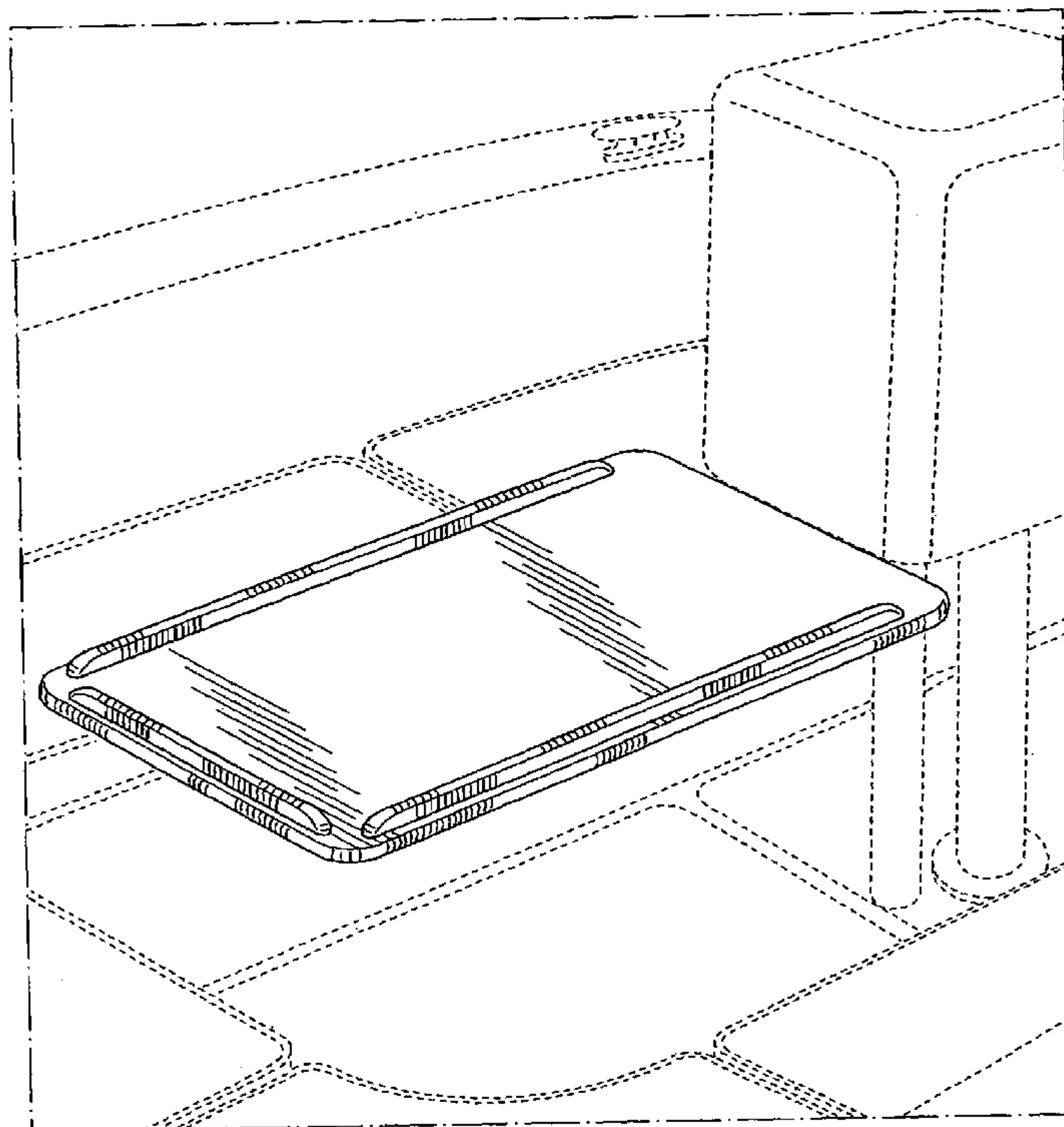
FIG. 1 is a top and front perspective view of a cockpit table for sailboat showing my new design;

FIG. 2 is a top and front perspective view thereof; and,

FIG. 3 is a top plan view thereof.

The portions of the drawing shown in broken lines indicate surrounding structure, which forms no part of the claimed design.

**1 Claim, 2 Drawing Sheets**



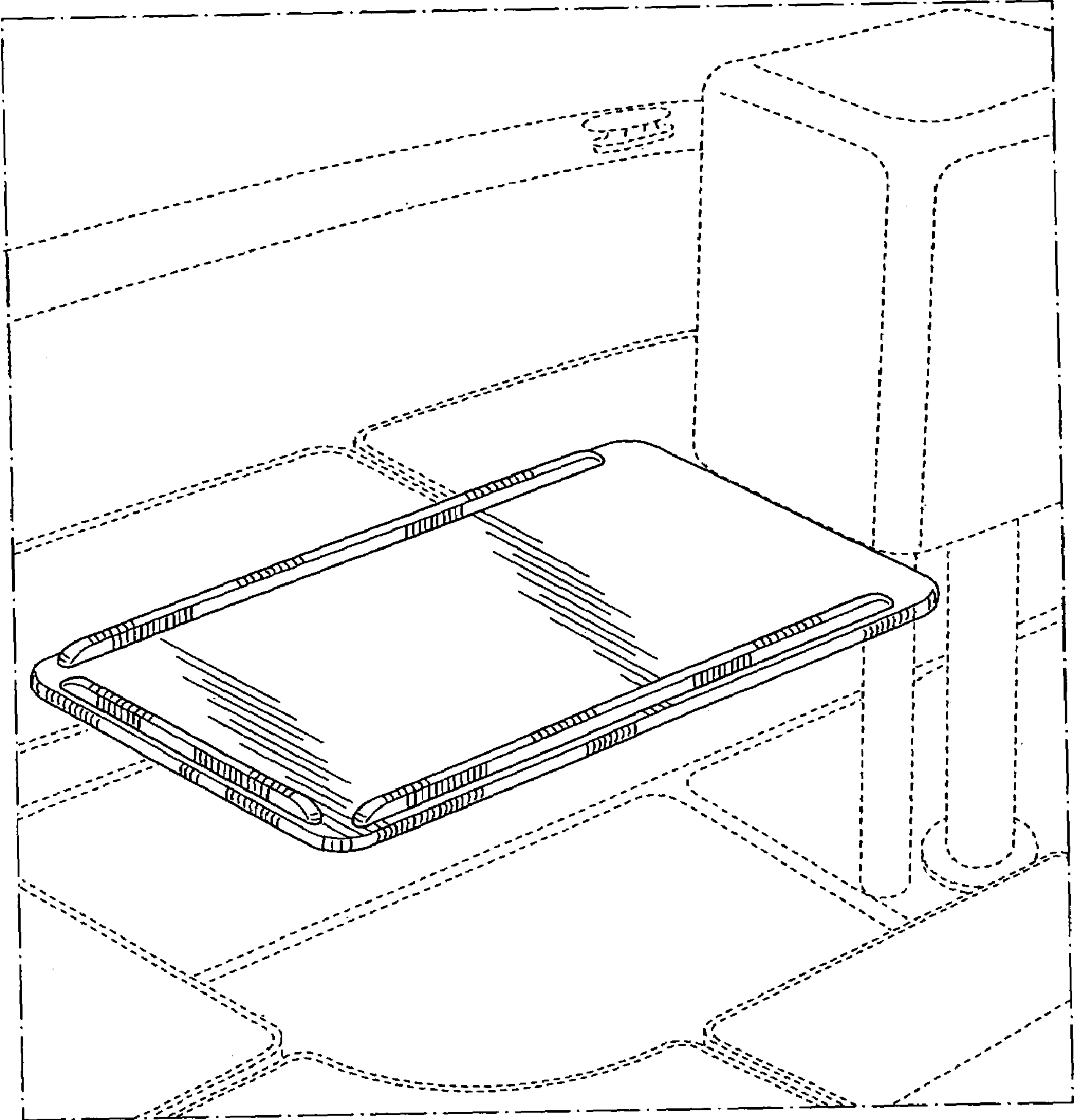
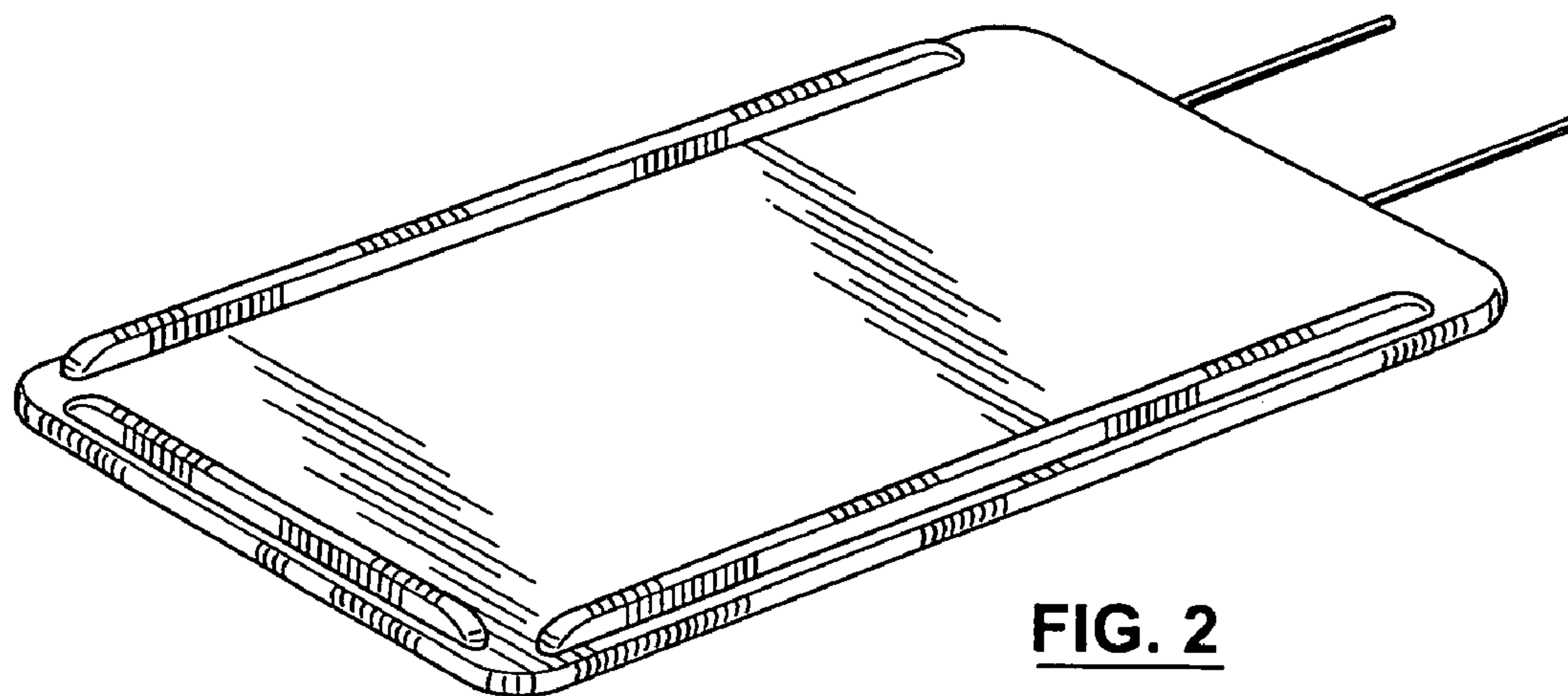
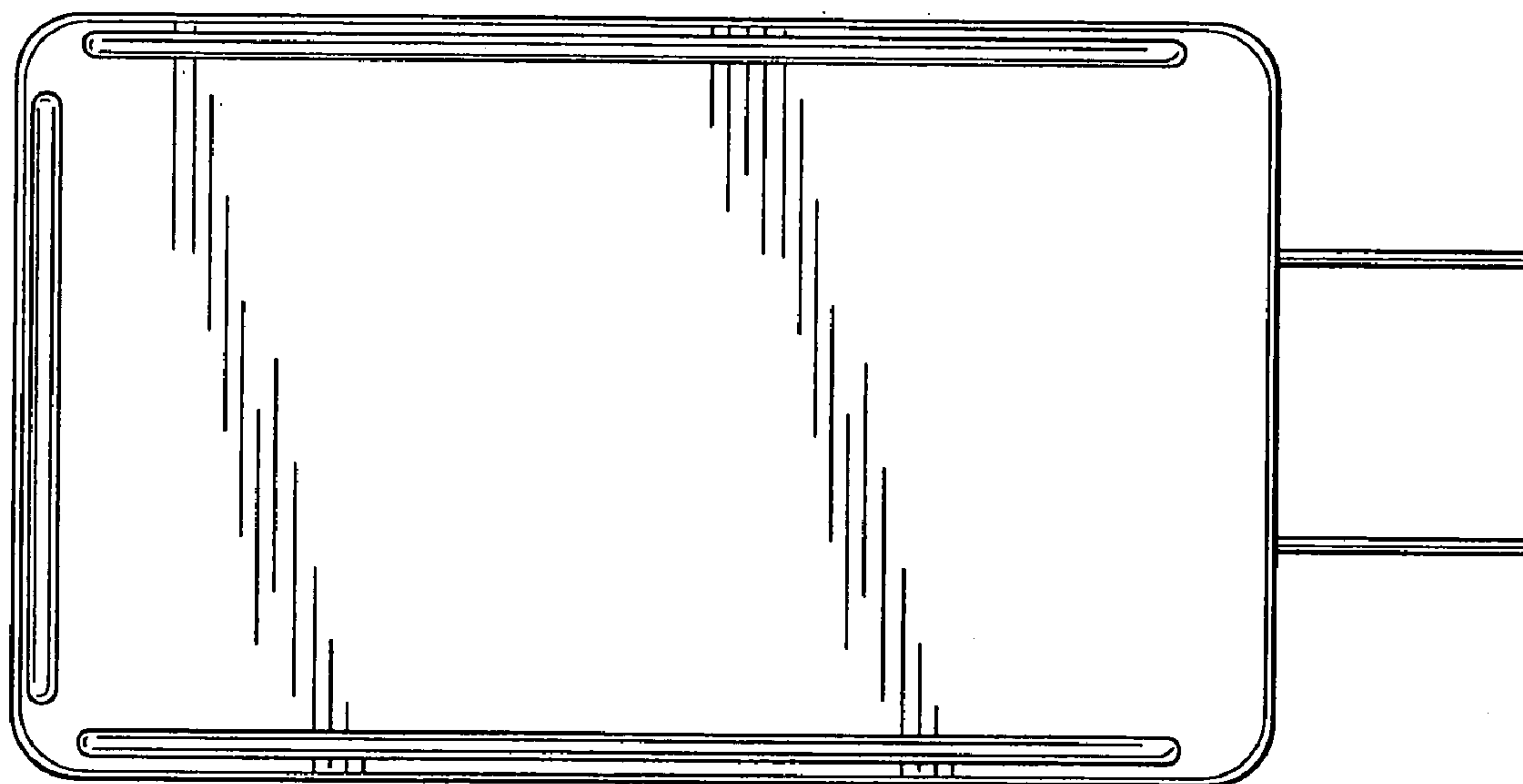


FIG. 1



**FIG. 2**



**FIG. 3**