

US00D563113S

(12) **United States Design Patent**
Snider

(10) **Patent No.:** **US D563,113 S**
(45) **Date of Patent:** **** Mar. 4, 2008**

(54) **PORTABLE WORKBENCH**

(75) Inventor: **Gregory S. Snider**, Bel Air, MD (US)

(73) Assignee: **Black & Decker Inc.**, Newark, DE (US)

(**) Term: **14 Years**

(21) Appl. No.: **29/272,536**

(22) Filed: **Feb. 9, 2007**

(51) **LOC (8) Cl.** **06-07**

(52) **U.S. Cl.** **D6/400**

(58) **Field of Classification Search** D6/400,
D6/396, 397, 477, 468, 465, 461, 455, 478,
D6/514, 629, 355, 349, 430, 429; 269/16,
269/139, 220, 154; 108/29, 27, 64, 59, 42,
108/56.1, 115, 158.12, 157.16; 312/280,
312/430; 144/286.1

See application file for complete search history.

(56) **References Cited**

U.S. PATENT DOCUMENTS

D182,911 S *	5/1958	Lubberts et al.	D6/477
4,191,113 A *	3/1980	Hogberg	108/157.16
4,310,150 A *	1/1982	Andrews	269/139
D266,128 S *	9/1982	Ferdinand et al.	D6/400
D279,736 S *	7/1985	Zastera et al.	D6/400
D345,475 S *	3/1994	Ferguson	D6/477
D346,709 S *	5/1994	Nagao	D6/400
D448,200 S *	9/2001	Sagol	D6/400
6,769,674 B2 *	8/2004	Chang	269/139

6,827,028 B1 * 12/2004 Callaway 108/158.12
2003/0214088 A1 * 11/2003 Chang 269/139

FOREIGN PATENT DOCUMENTS

GB 2389557 A * 12/2003

* cited by examiner

Primary Examiner—Janice E. Seeger

Assistant Examiner—Sydney R. Buffalow

(74) *Attorney, Agent, or Firm*—Wesley W. Muller

(57) **CLAIM**

The ornamental design for a portable workbench, as shown and described.

DESCRIPTION

FIG. 1 is a perspective view of a portable workbench according to the present invention;

FIG. 2 is a left side view of the portable workbench of FIG. 1;

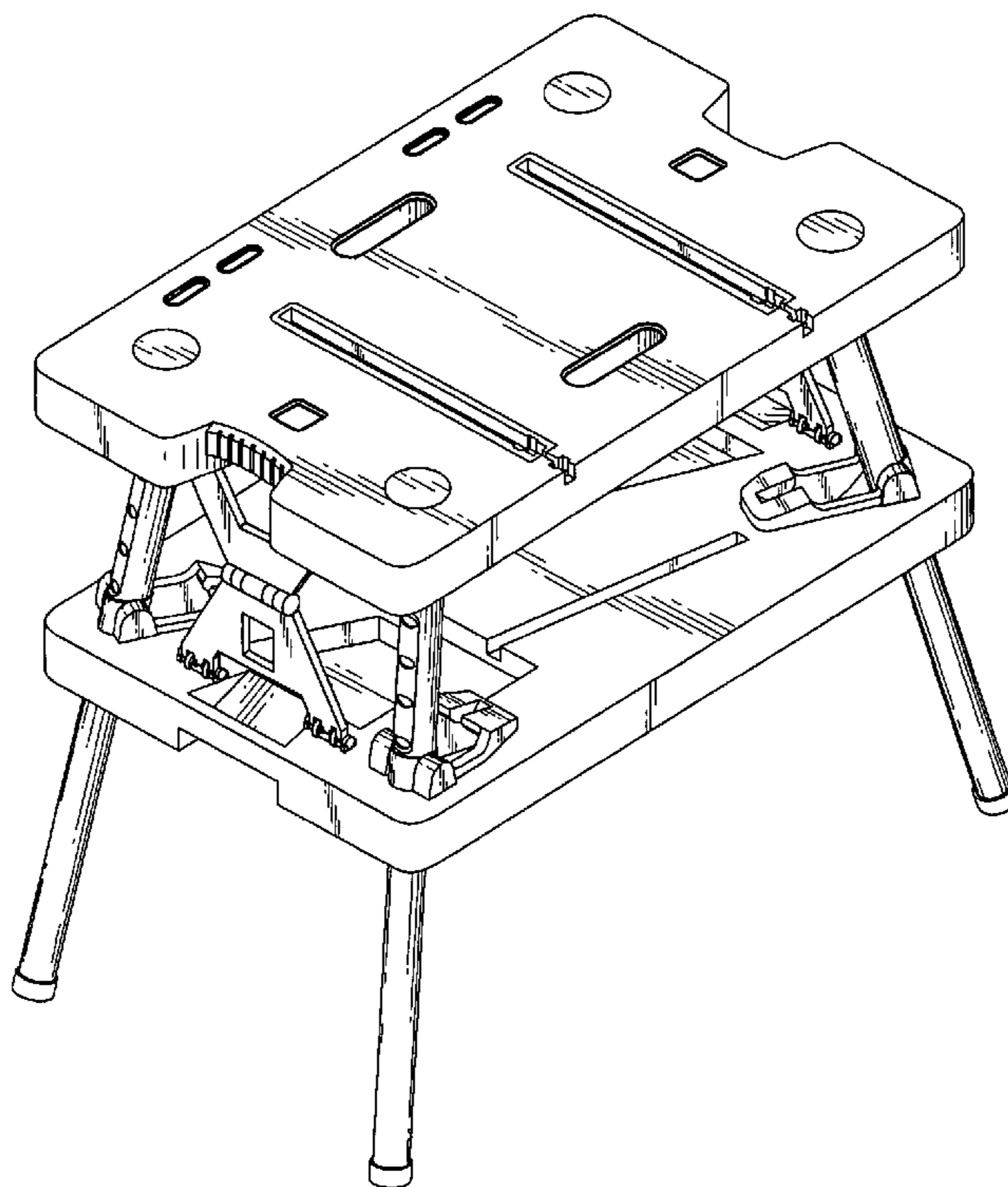
FIG. 3 is a right side view of the portable workbench of FIG. 1;

FIG. 4 is a top view of the portable workbench of FIG. 1; FIG. 5 is a bottom view of the portable workbench of FIG. 1;

FIG. 6 is an elevated front view of the portable workbench of FIG. 1; and,

FIG. 7 is an elevated rear view of the portable workbench of FIG. 1.

1 Claim, 7 Drawing Sheets



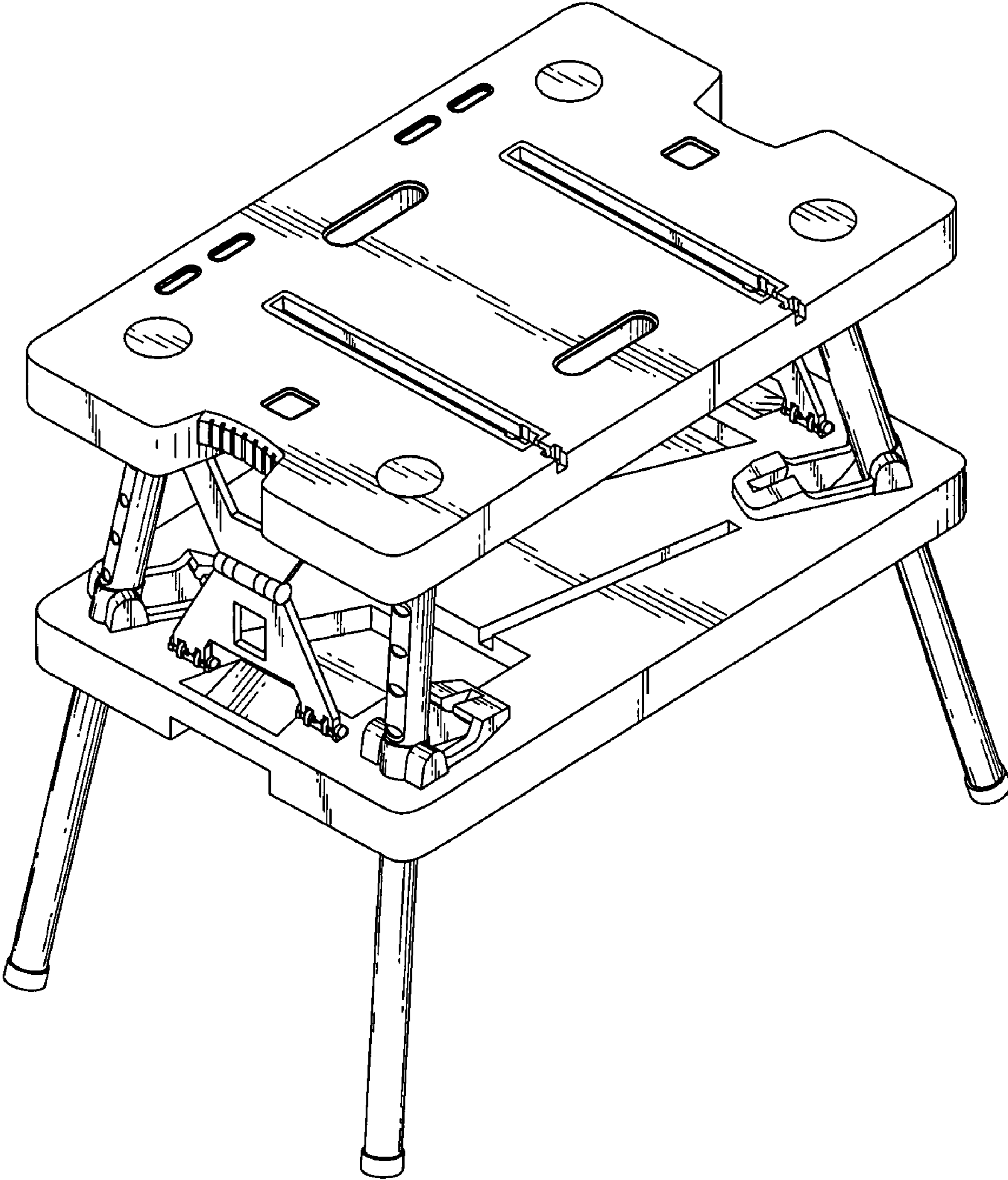


Fig. 1

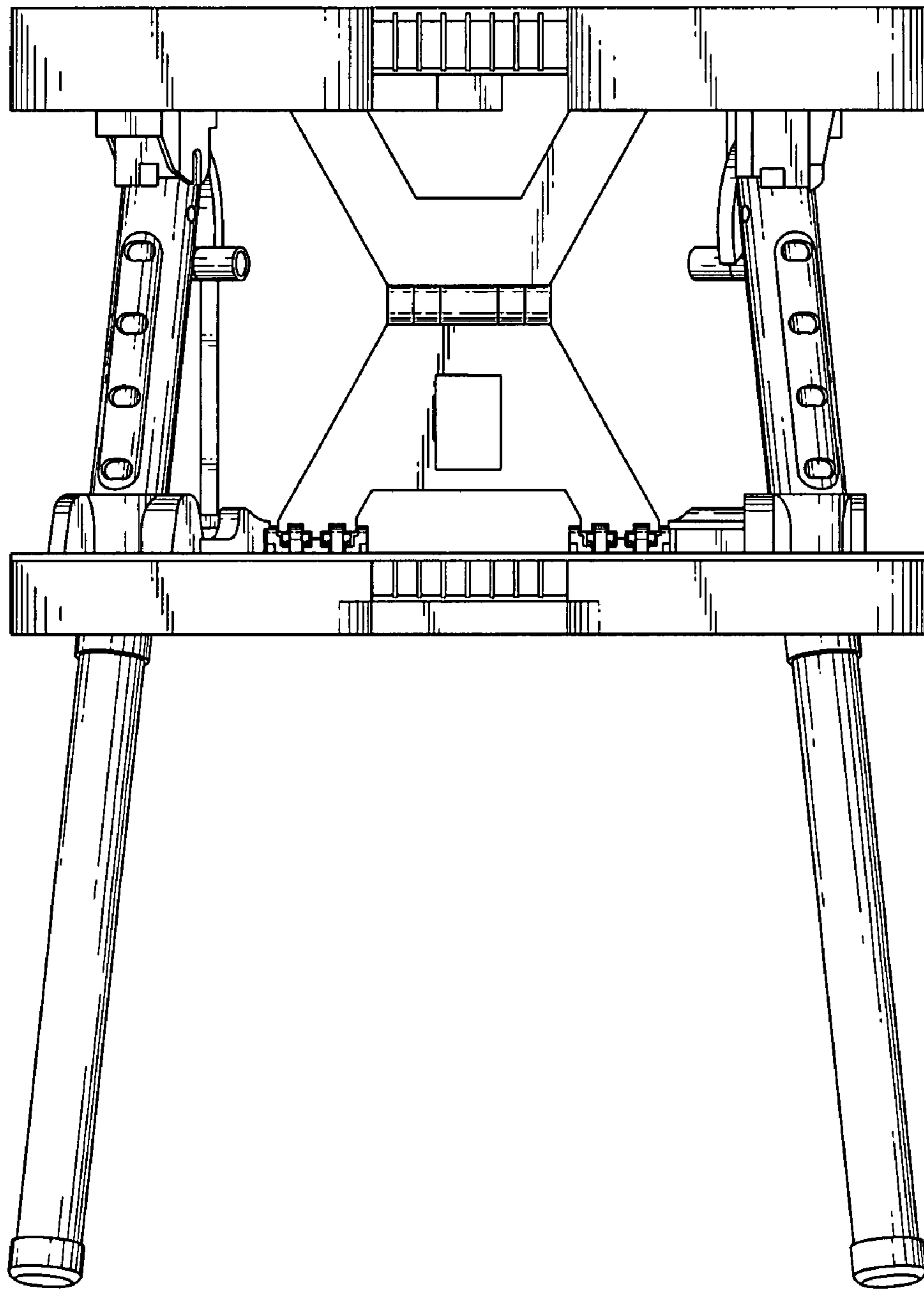


Fig. 2

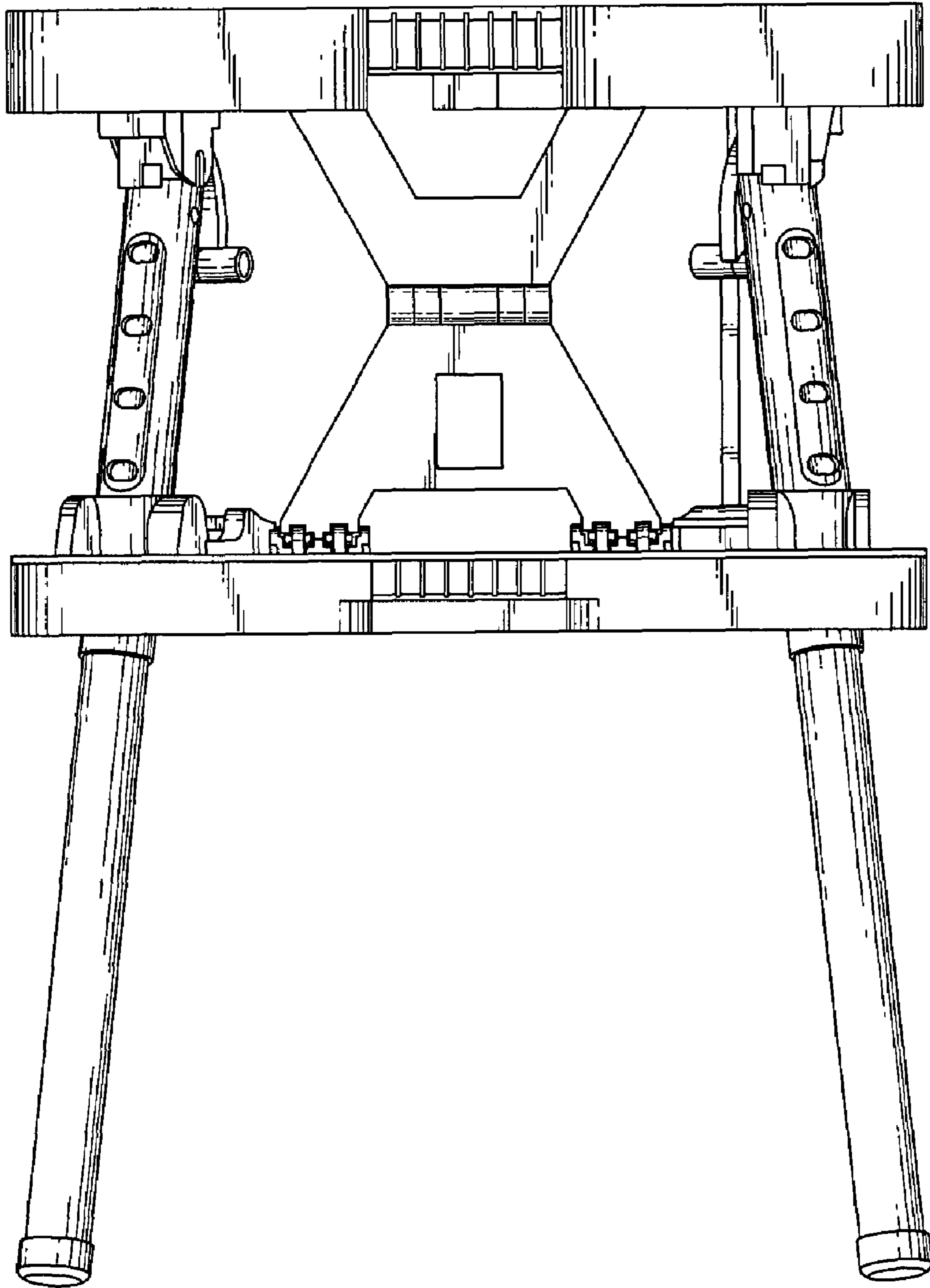


Fig. 3

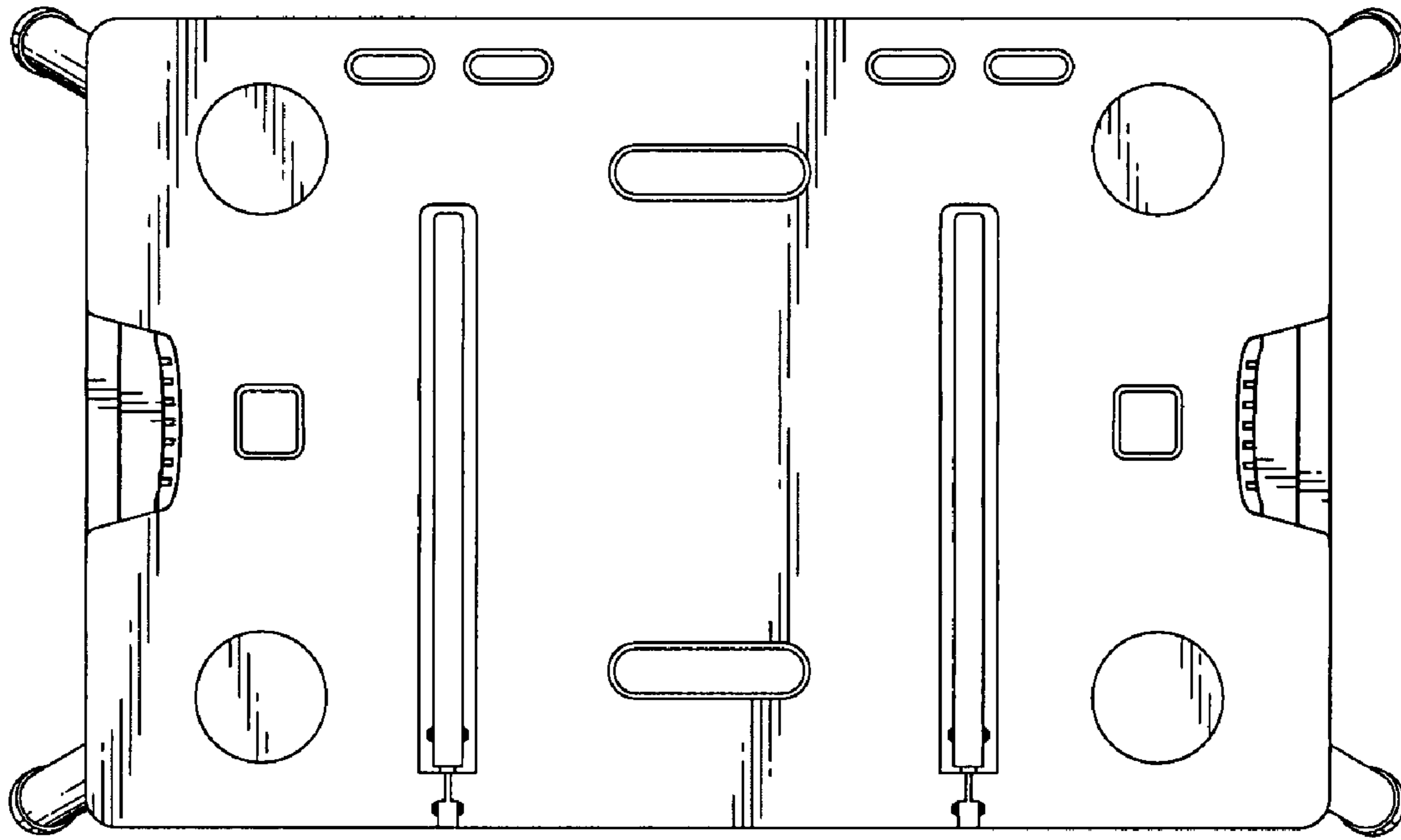


Fig. 4

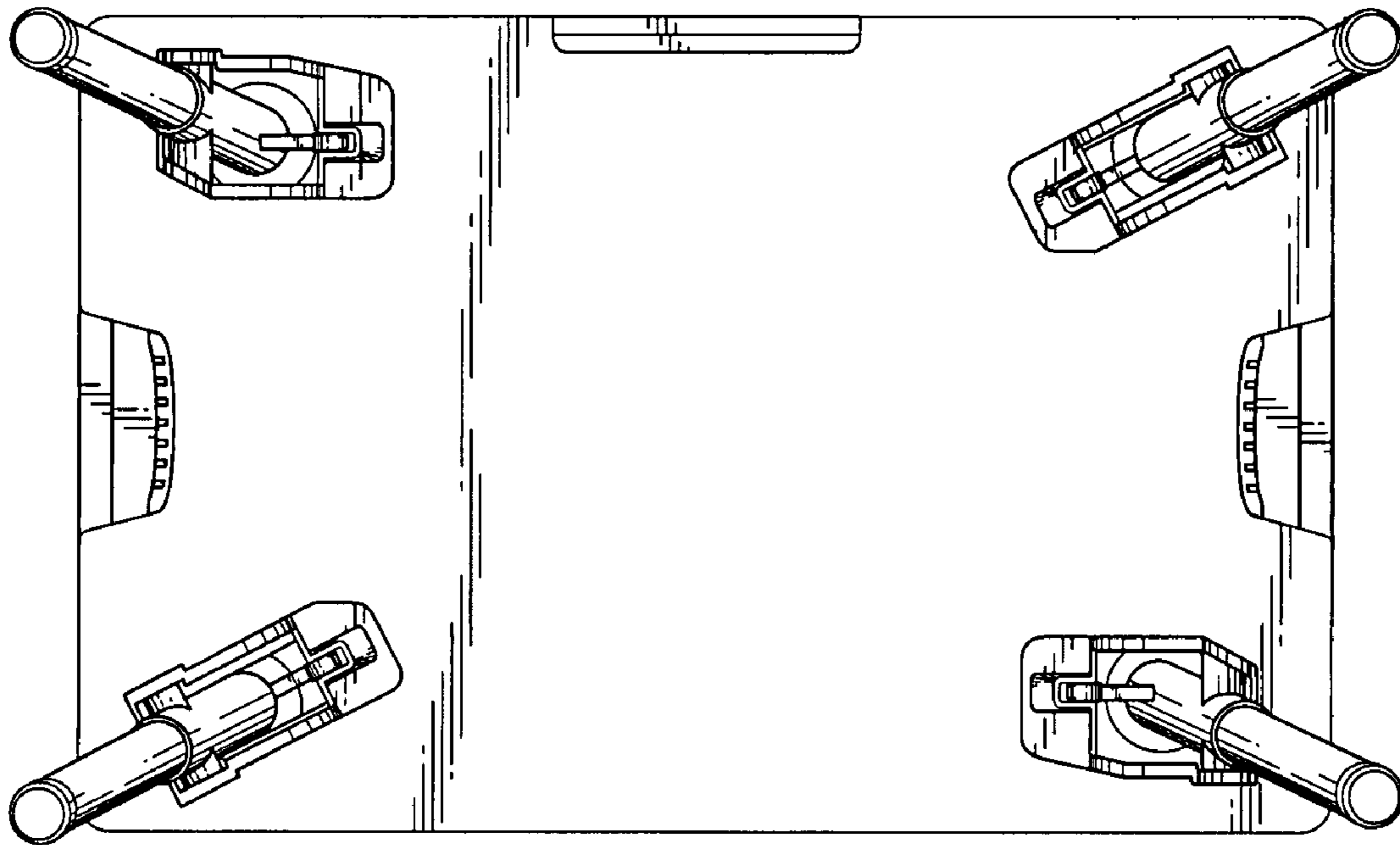


Fig. 5

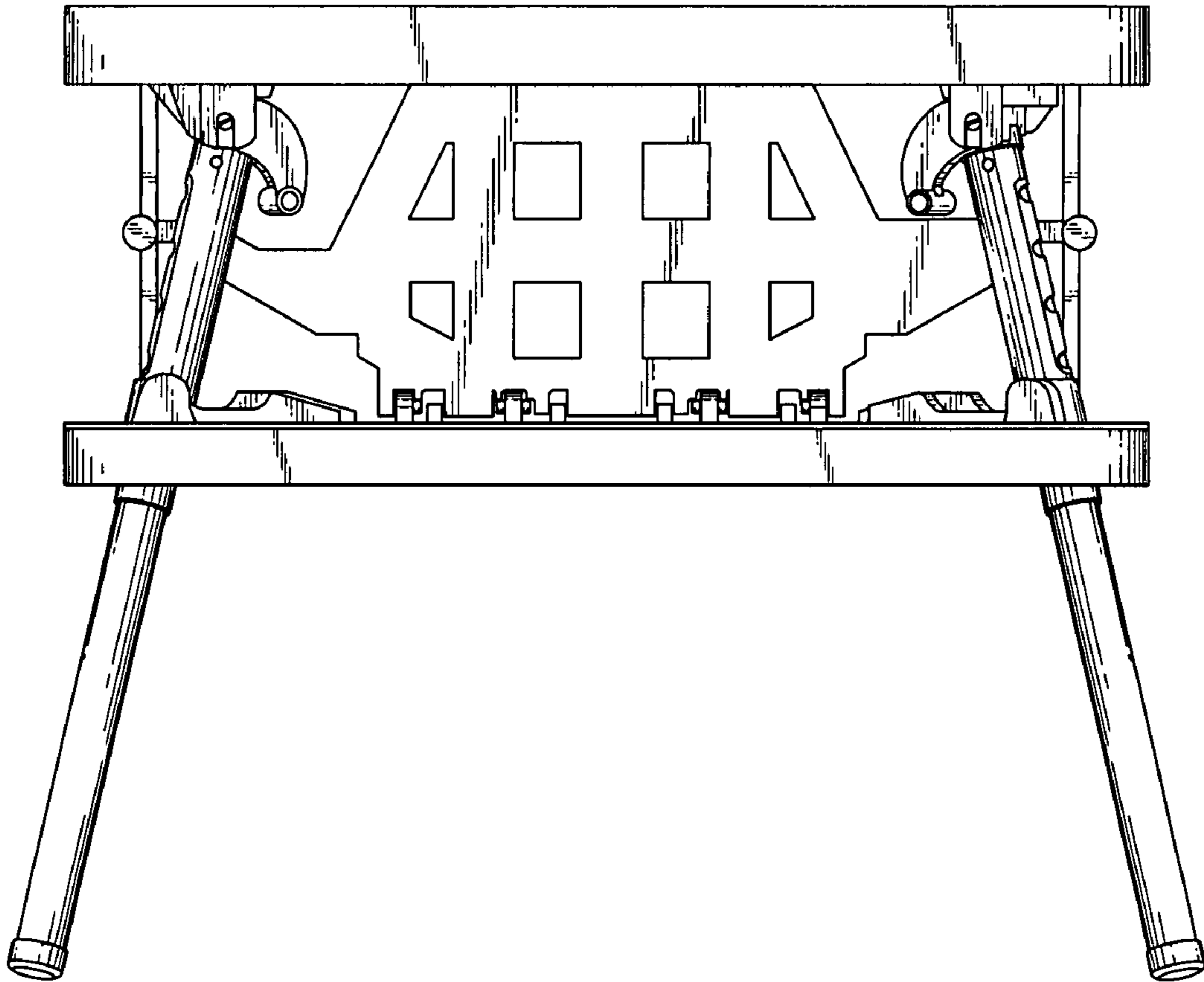


Fig. 6

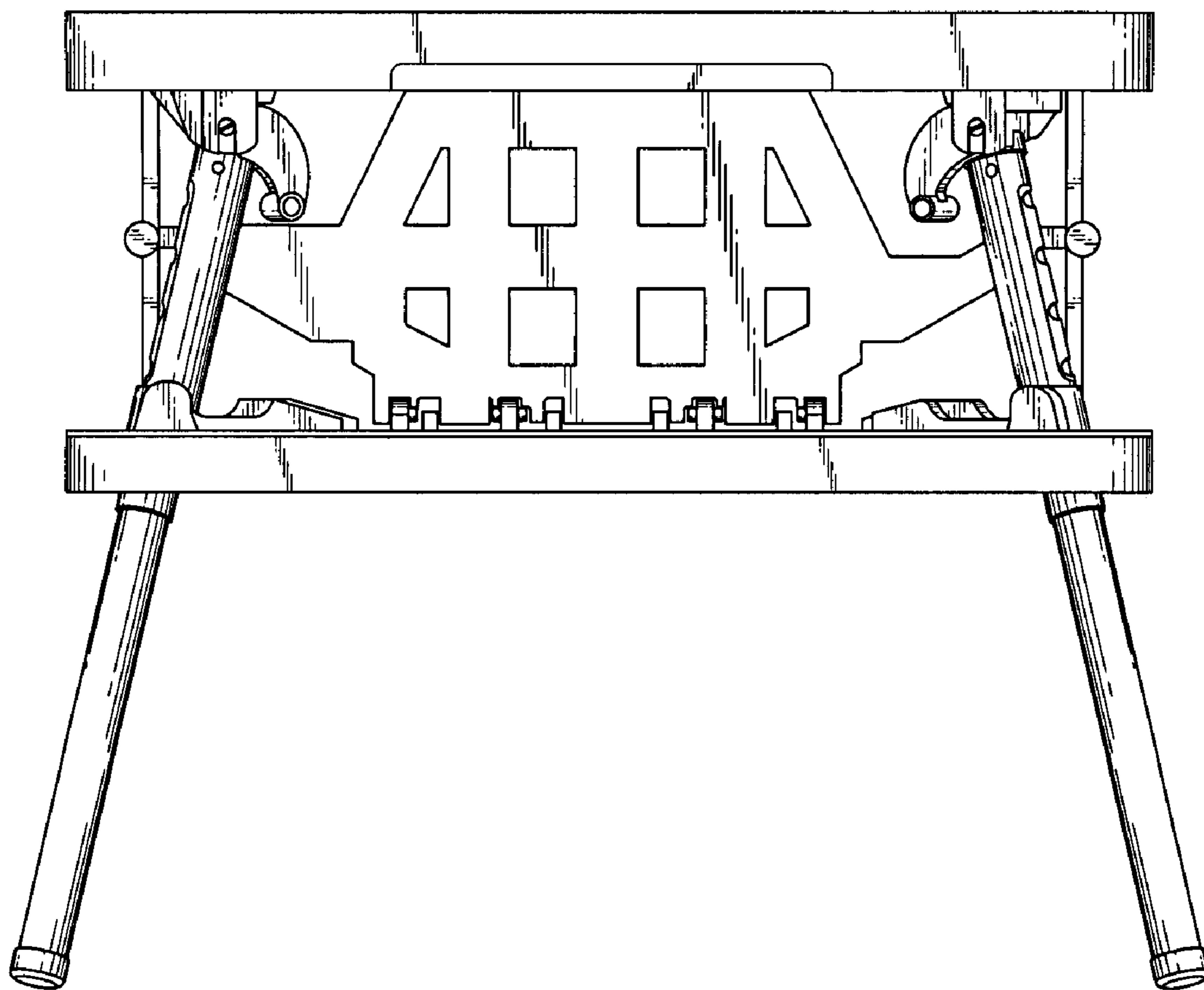


Fig. 7