



US00D563112S

(12) **United States Design Patent**
Swanson

(10) **Patent No.:** **US D563,112 S**

(45) **Date of Patent:** **** Mar. 4, 2008**

(54) **SOFA**

(75) Inventor: **Charles Swanson**, Fall River, MA (US)

(73) Assignee: **Benchmark Design Group, Inc.**,
Jacksonville Beach, FL (US)

(**) Term: **14 Years**

(21) Appl. No.: **29/282,773**

(22) Filed: **Jul. 27, 2007**

(51) **LOC (8) Cl.** **06-01**

(52) **U.S. Cl.** **D6/381**

(58) **Field of Classification Search** D6/334,
D6/335, 337, 341, 349, 353, 354, 377, 367-369,
D6/381, 383, 492, 500-502; 5/12.1, 12.2;
297/16.1, 232, 16.2, 245, 283.2, 353, 354.1,
297/445.1, 448.1

See application file for complete search history.

(56) **References Cited**

U.S. PATENT DOCUMENTS

D330,464 S * 10/1992 Dettinger D6/367
D368,808 S * 4/1996 Mourgue D6/357

D427,447 S * 7/2000 Vu et al. D6/381
D427,799 S * 7/2000 Vu D6/381
D437,496 S * 2/2001 Vu D6/357
D541,076 S * 4/2007 Mathieu et al. D6/381

* cited by examiner

Primary Examiner—Sandra Snapp

(57) **CLAIM**

I claim the ornamental design for sofa, as shown and described.

DESCRIPTION

FIG. 1 is a perspective view of a sofa, showing my new design;

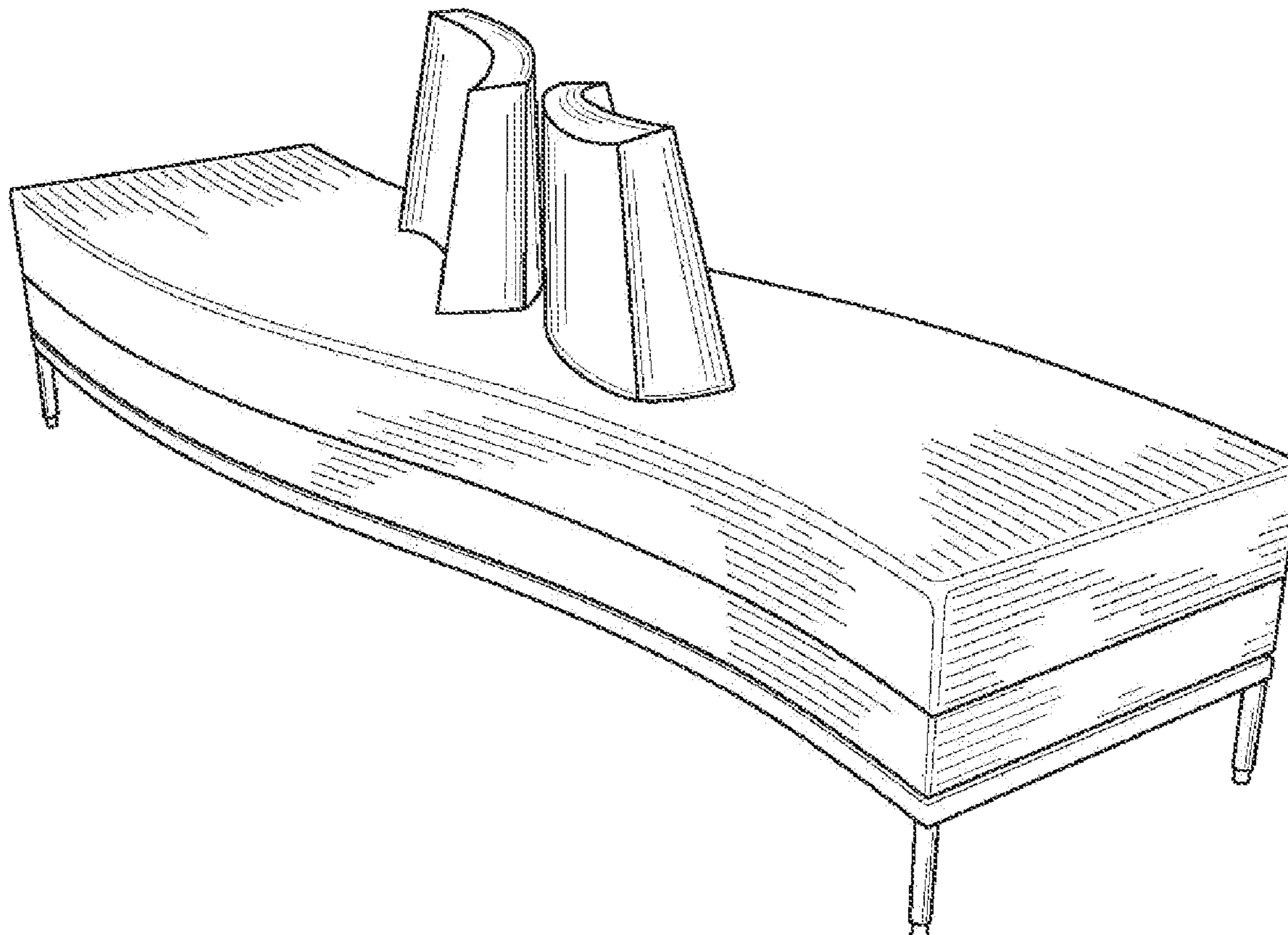
FIG. 2 is a front elevational view of the invention, the rear elevational view being identical thereto;

FIG. 3 is a left-side elevational view of the invention, the right-side elevational view being identical thereto;

FIG. 4 is a top plan view of the invention; and,

FIG. 5 is a bottom plan view of the invention.

1 Claim, 2 Drawing Sheets



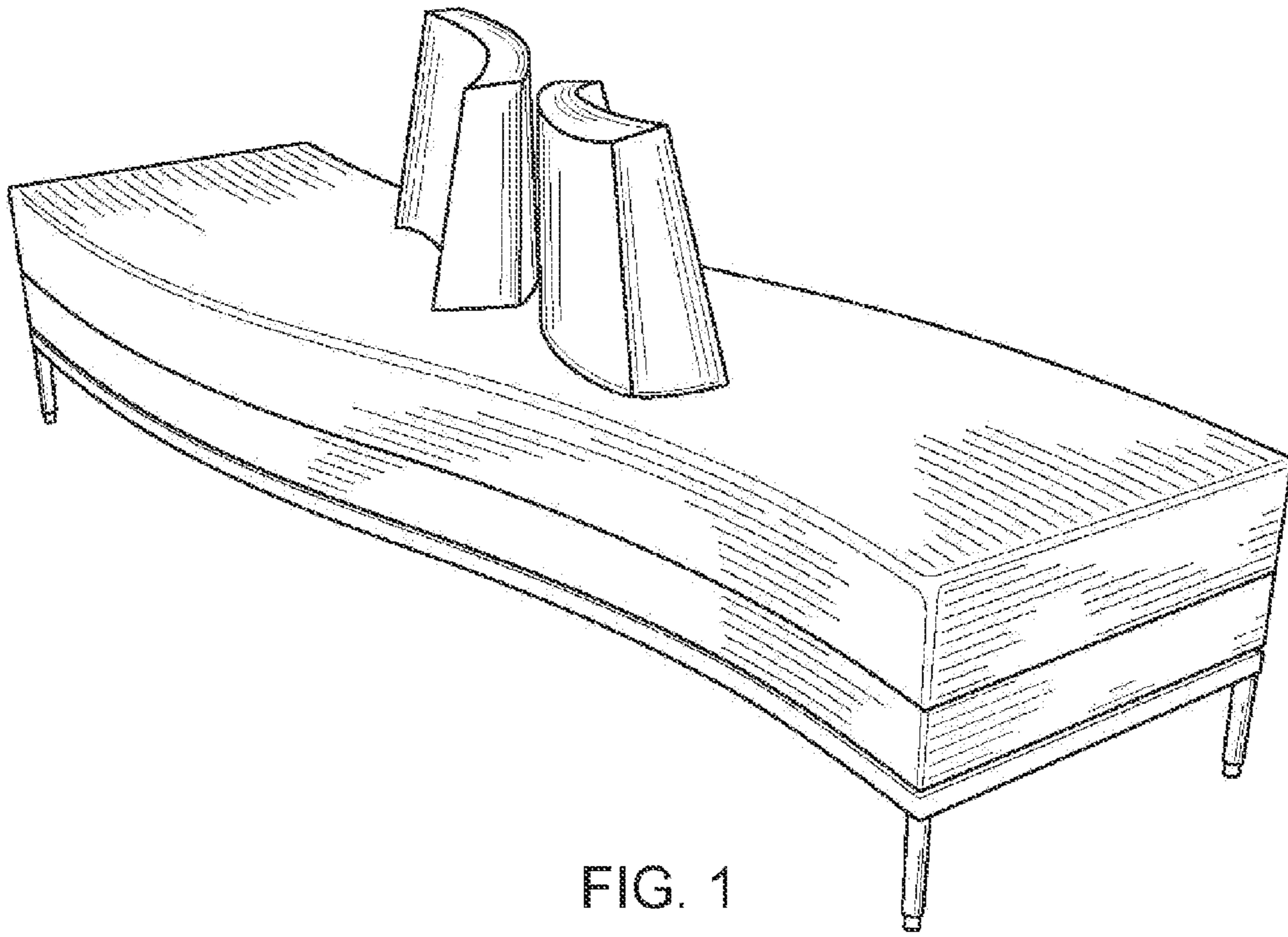


FIG. 1

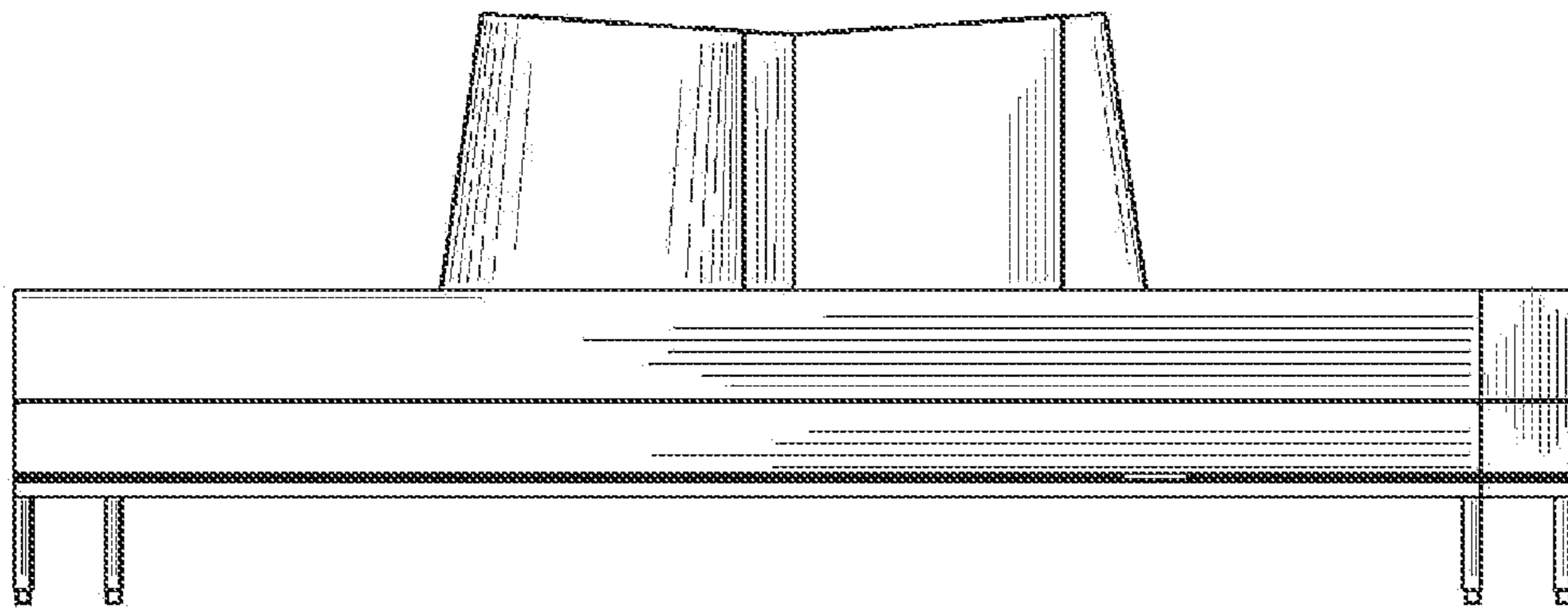


FIG. 2

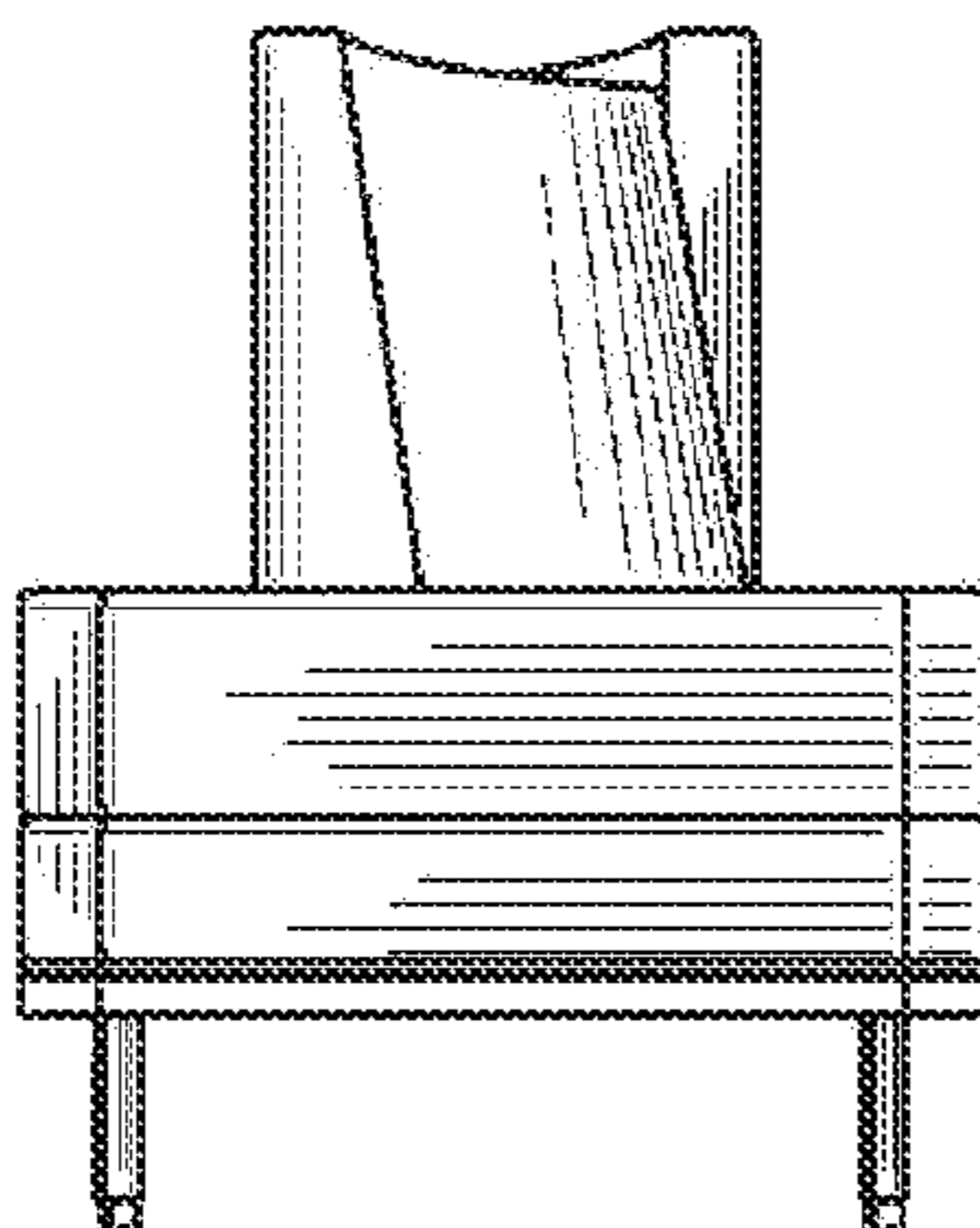


FIG. 3

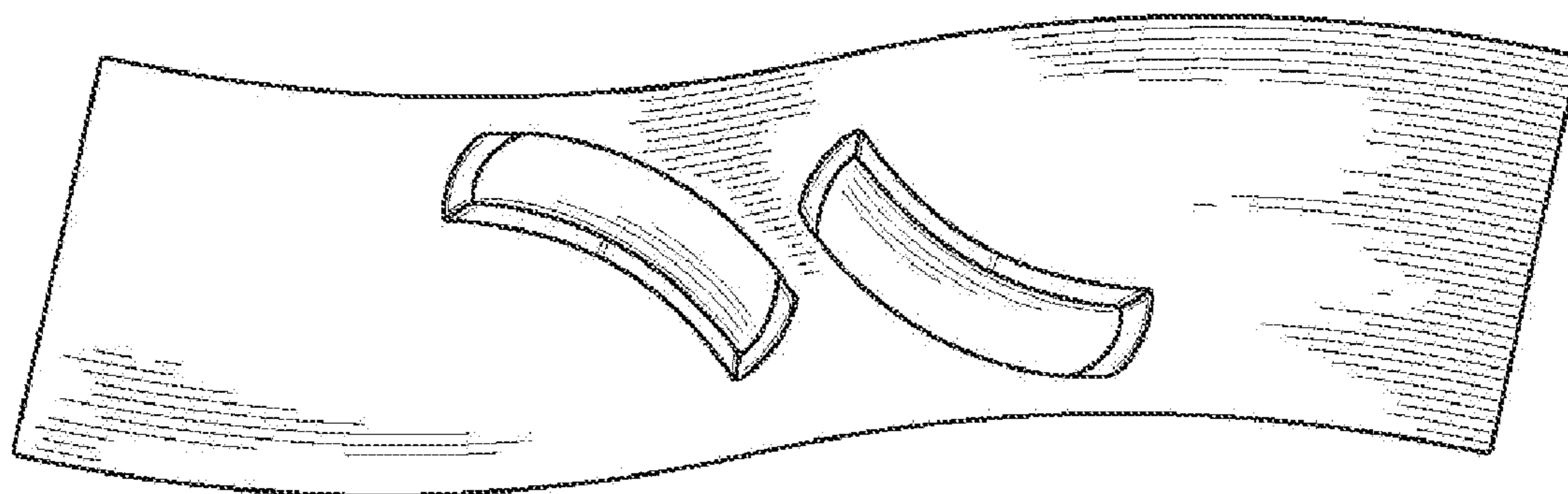


FIG. 4

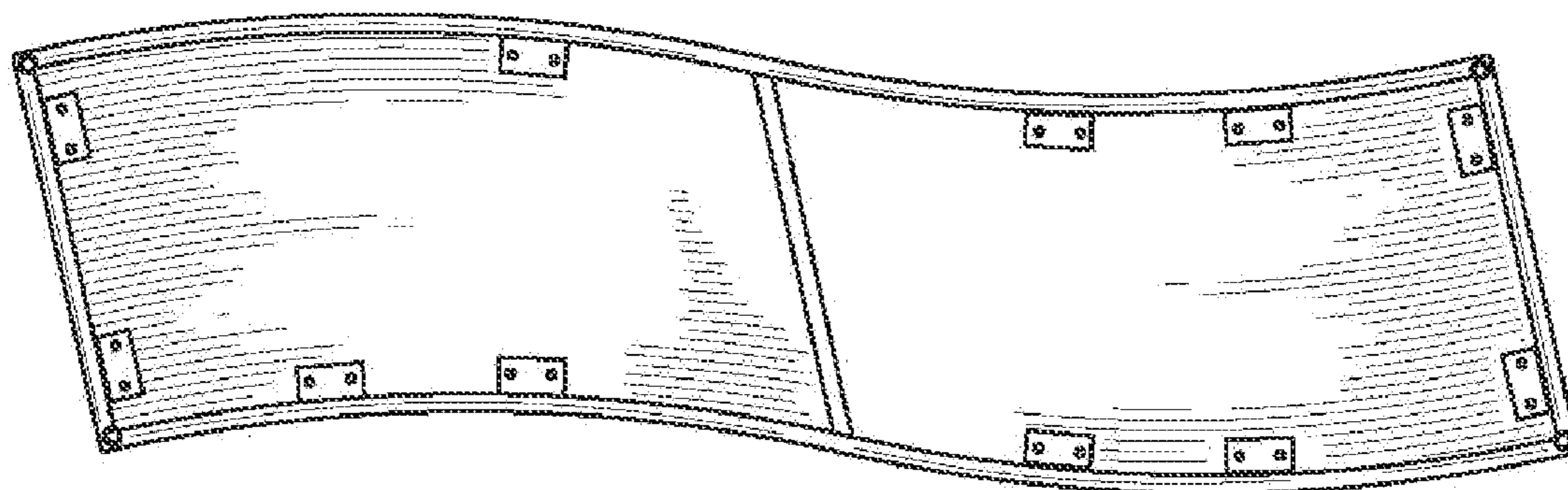


FIG. 5