



US00D563111S

(12) **United States Design Patent**
Lievore

(10) **Patent No.:** **US D563,111 S**

(45) **Date of Patent:** **** Mar. 4, 2008**

(54) **CHAIR**

D492,131 S * 6/2004 Starck D6/375
D512,237 S * 12/2005 Messier D6/375

(75) Inventor: **Alberto Lievore**, Barcelona (ES)

(73) Assignee: **Arper S.p.A.**, Monastier di Treviso (IT)

(**) Term: **14 Years**

(21) Appl. No.: **29/281,704**

(22) Filed: **Jun. 29, 2007**

* cited by examiner

Primary Examiner—Caron D. Veynar

Assistant Examiner—Abraham Bahta

(74) *Attorney, Agent, or Firm*—Scully, Scott, Murphy & Presser, P.C.

Related U.S. Application Data

(62) Division of application No. 29/241,486, filed on Oct. 27, 2005, now Pat. No. Des. 558,479.

(30) **Foreign Application Priority Data**

May 6, 2005 (EM) 338645

(51) **LOC (8) Cl.** **06-01**

(52) **U.S. Cl.** **D6/375**

(58) **Field of Classification Search** D6/374–375,
D6/360, 371–373, 334–335, 379–380, 500–502;
297/445.1, 446.1, DIG. 2, 448.1

See application file for complete search history.

(56) **References Cited**

U.S. PATENT DOCUMENTS

D256,970 S *	9/1980	Cassina	D6/334
D299,890 S *	2/1989	Wood	D6/380
D357,594 S *	4/1995	Kellen	D6/374
D390,026 S *	2/1998	Biecher	D6/375
D409,848 S *	5/1999	Staubach et al.	D6/334
D426,972 S *	6/2000	Bellini	D6/375
D462,536 S *	9/2002	Levy	D6/375
D463,149 S *	9/2002	Levy	D6/375
D465,100 S *	11/2002	Savini	D6/375
D475,543 S *	6/2003	Savini	D6/374

(57) **CLAIM**

The ornamental design for a chair, as shown and described.

DESCRIPTION

FIG. 1 is a right side view of the chair, showing my new design;

FIG. 2 is a front view thereof;

FIG. 3 is a rear view thereof;

FIG. 4 is a left side view thereof;

FIG. 5 is a front and side perspective view thereof;

FIG. 6 is a top view thereof;

FIG. 7 is a bottom view thereof;

FIG. 8 is a front and side perspective view of a second embodiment of the chair;

FIG. 9 is a right side view thereof;

FIG. 10 is a front view thereof;

FIG. 11 is a rear view thereof;

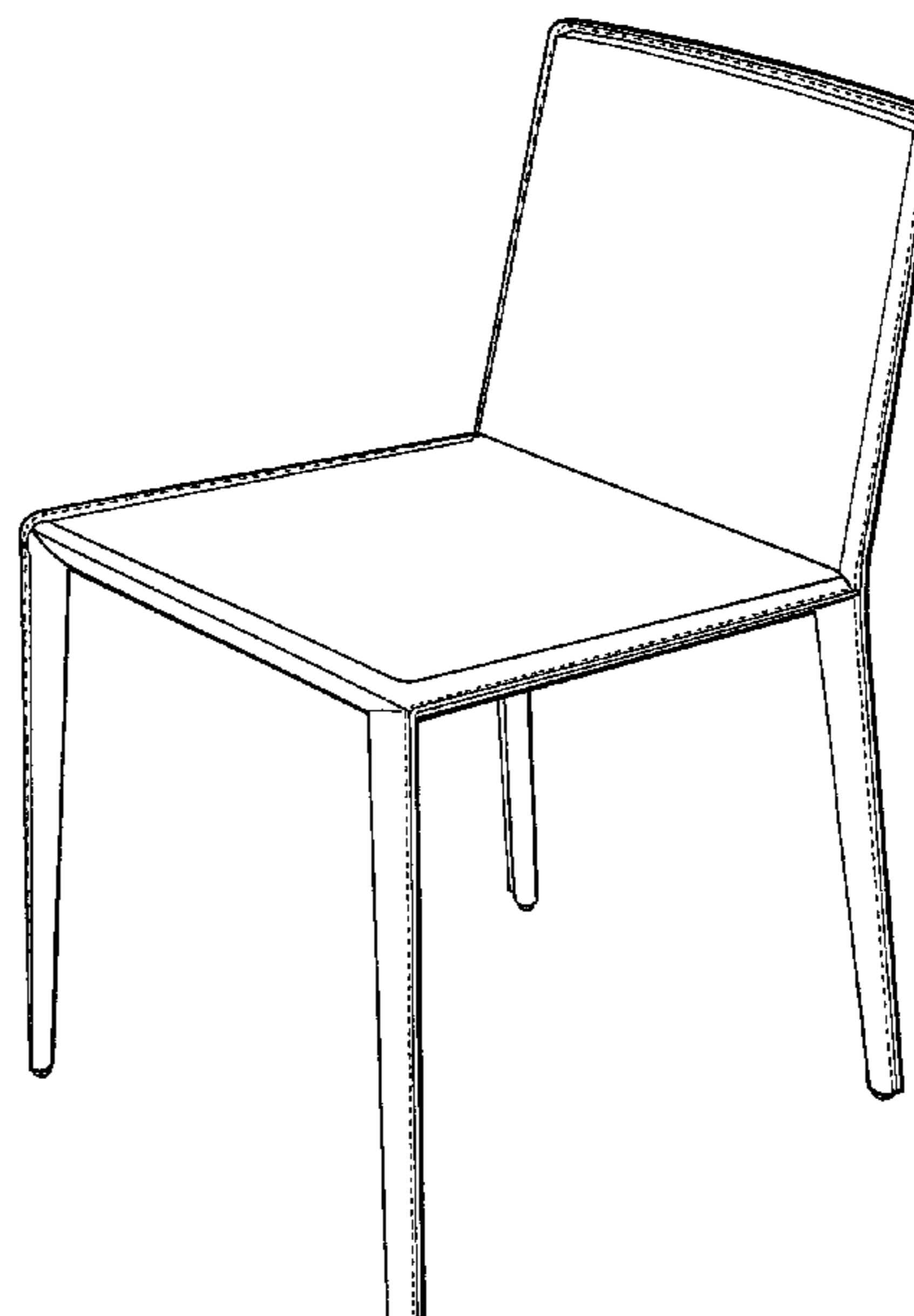
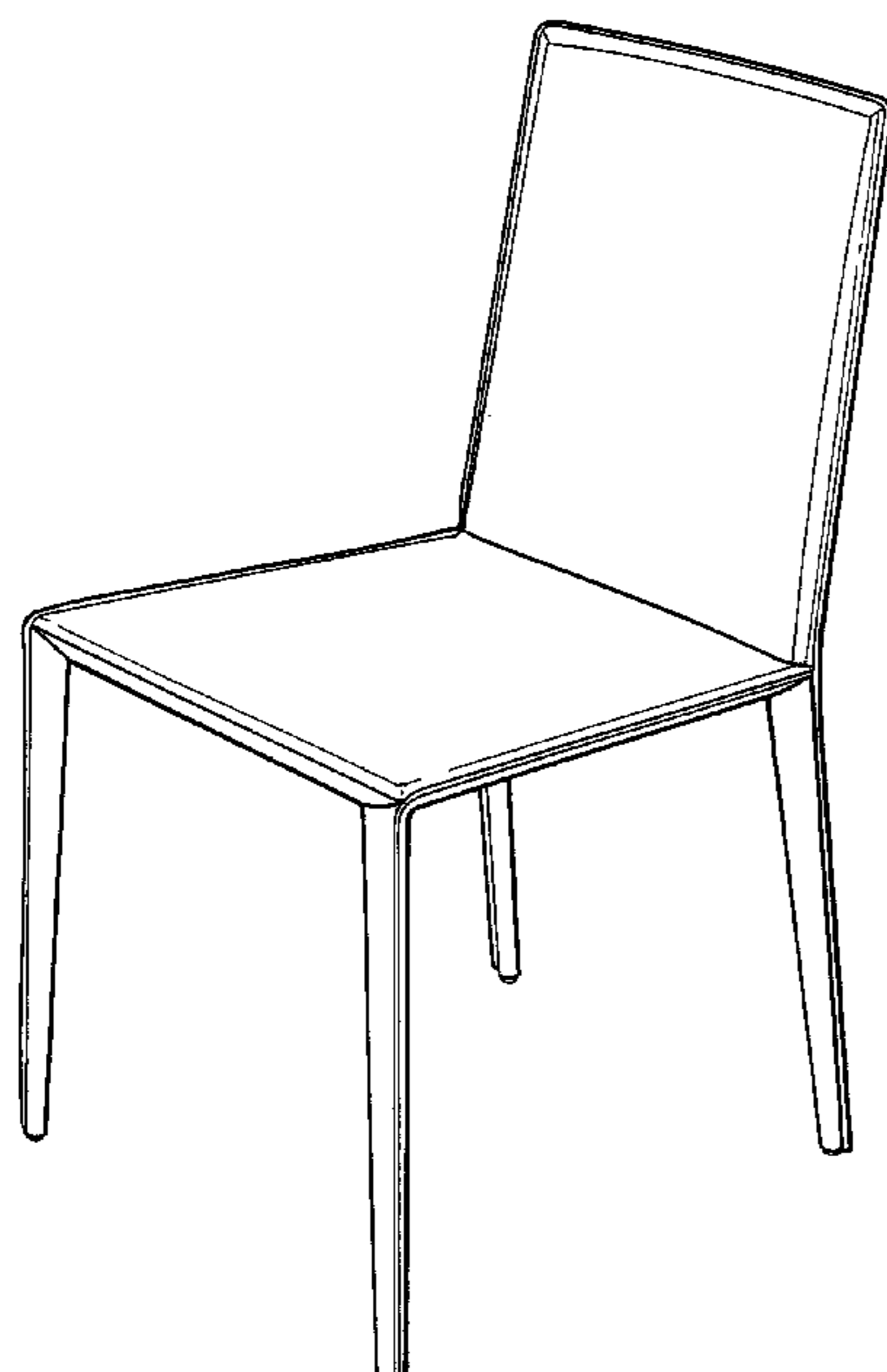
FIG. 12 is a left side view thereof;

FIG. 13 is a top view thereof; and,

FIG. 14 is a bottom view thereof.

The broken lines shown in FIGS. 8–14 represent stitching.

1 Claim, 14 Drawing Sheets



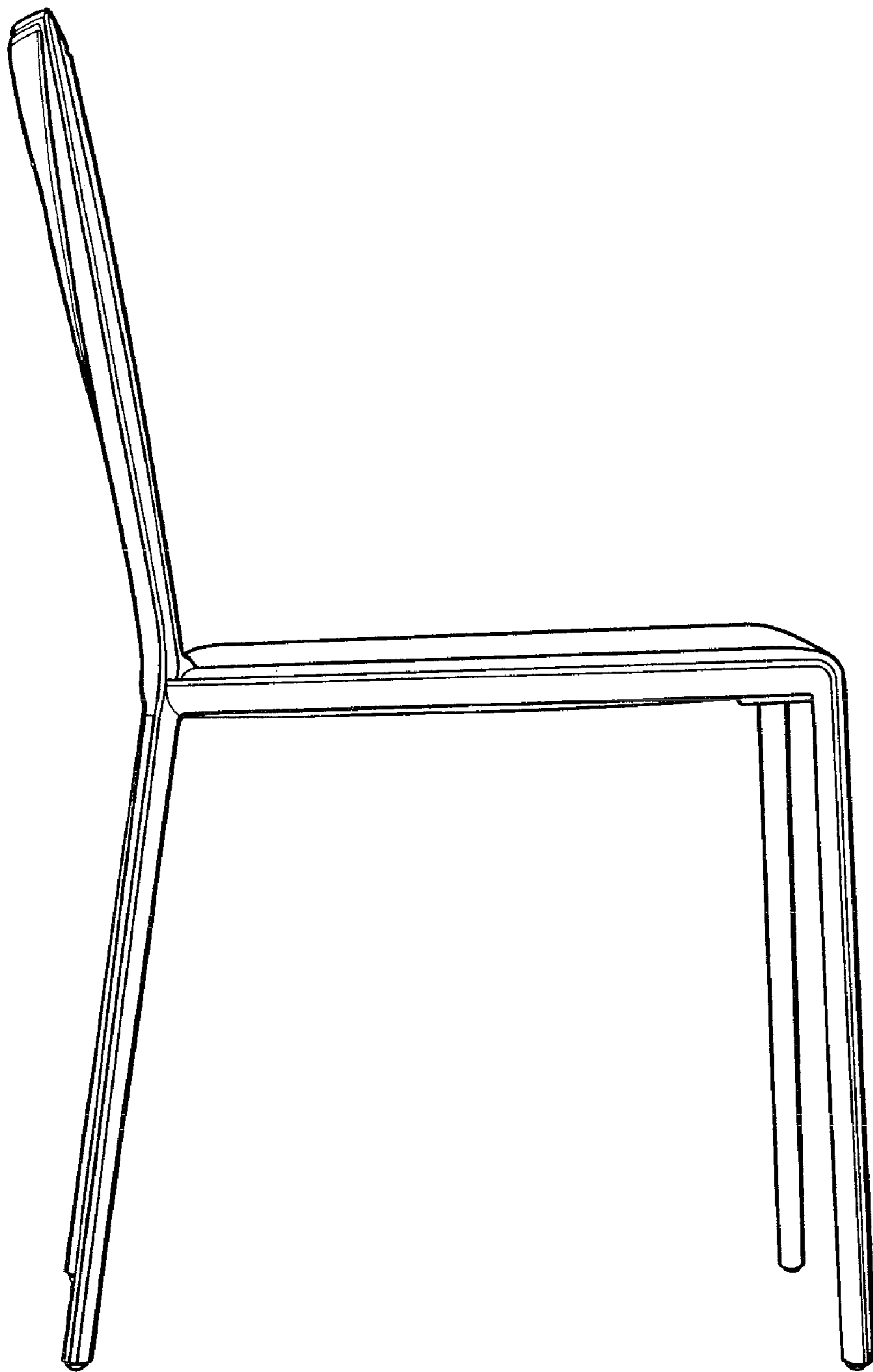


FIG. 1

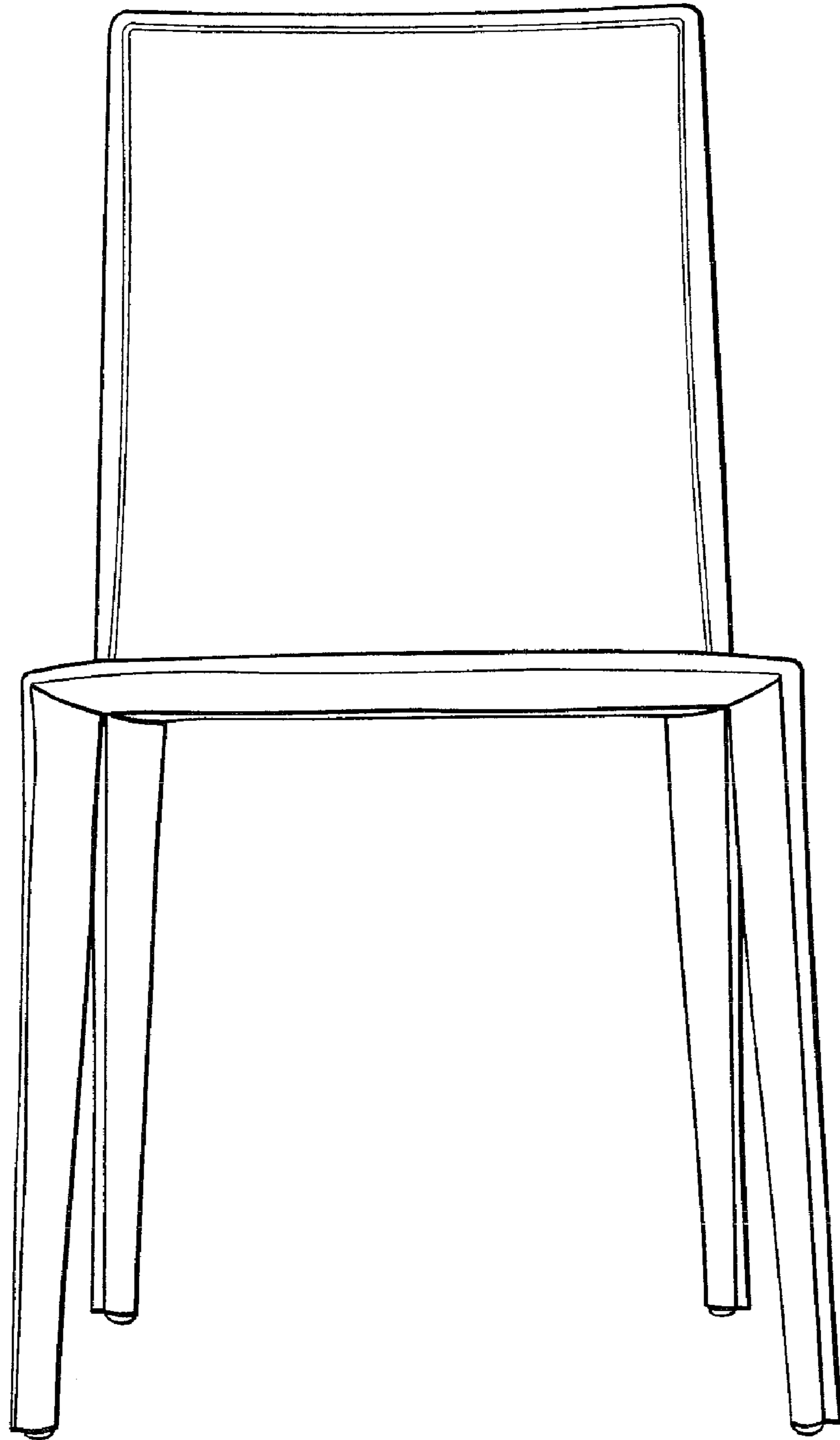


FIG. 2

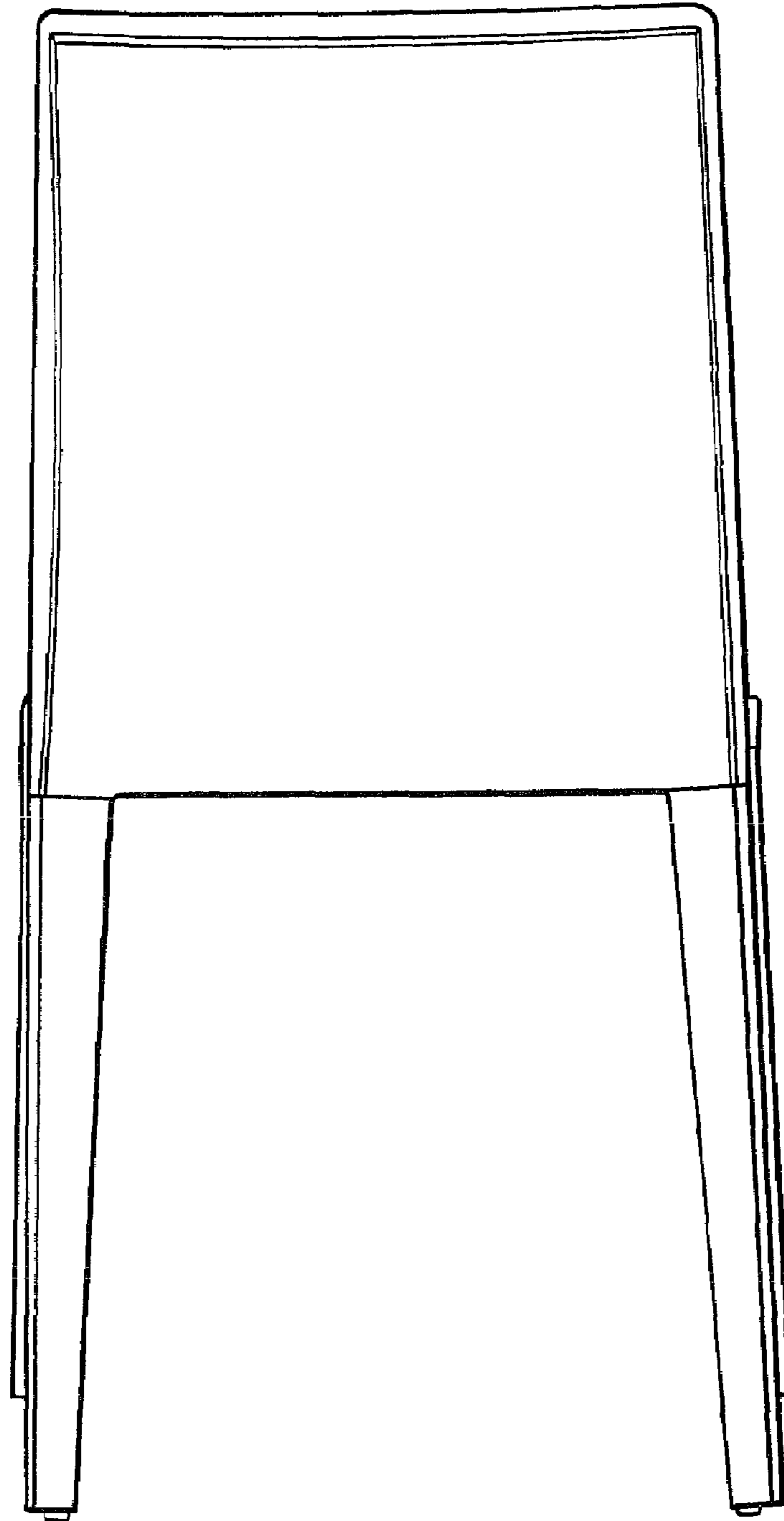


FIG. 3

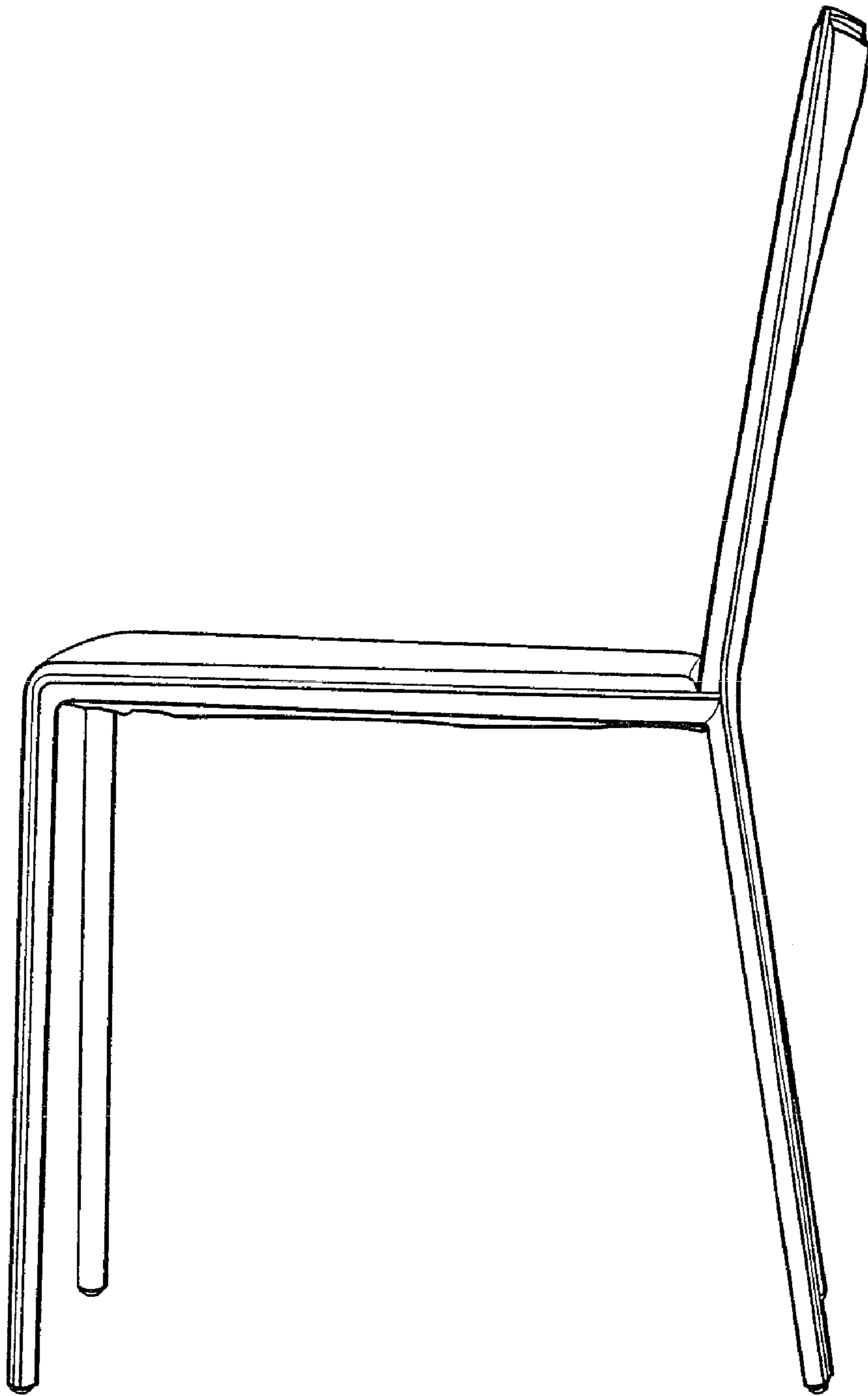


FIG. 4

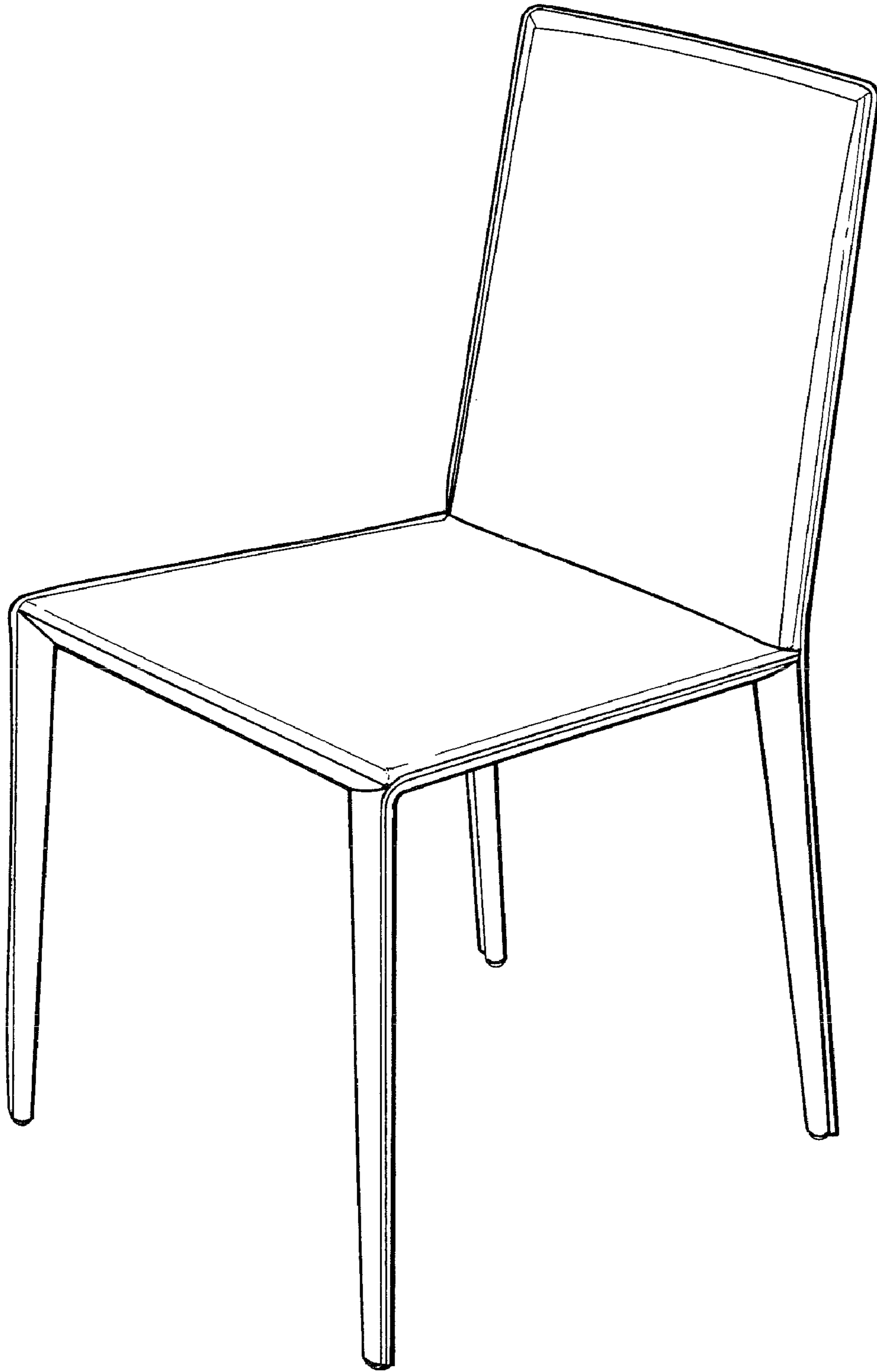


Fig. 5

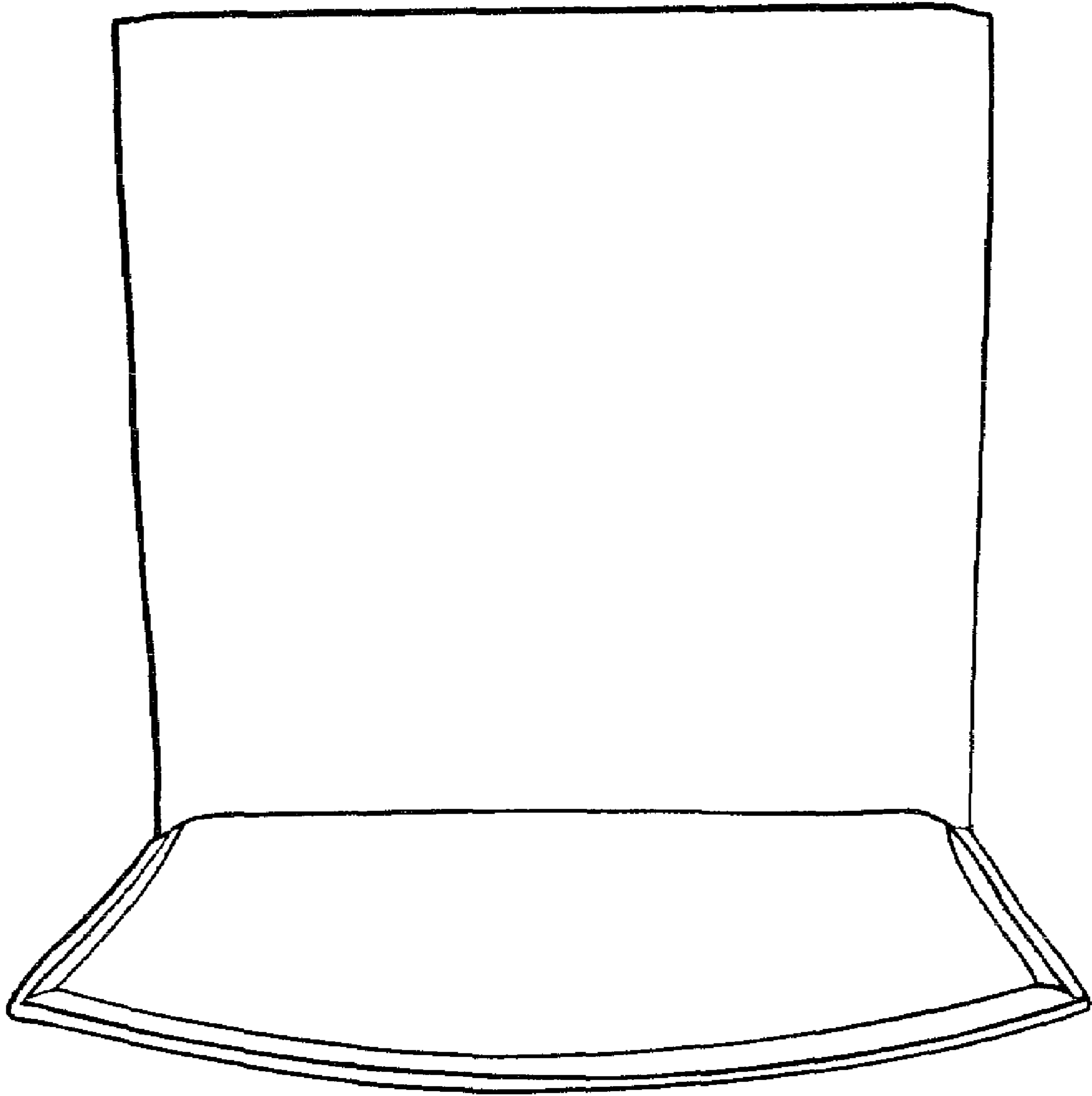


FIG. 6

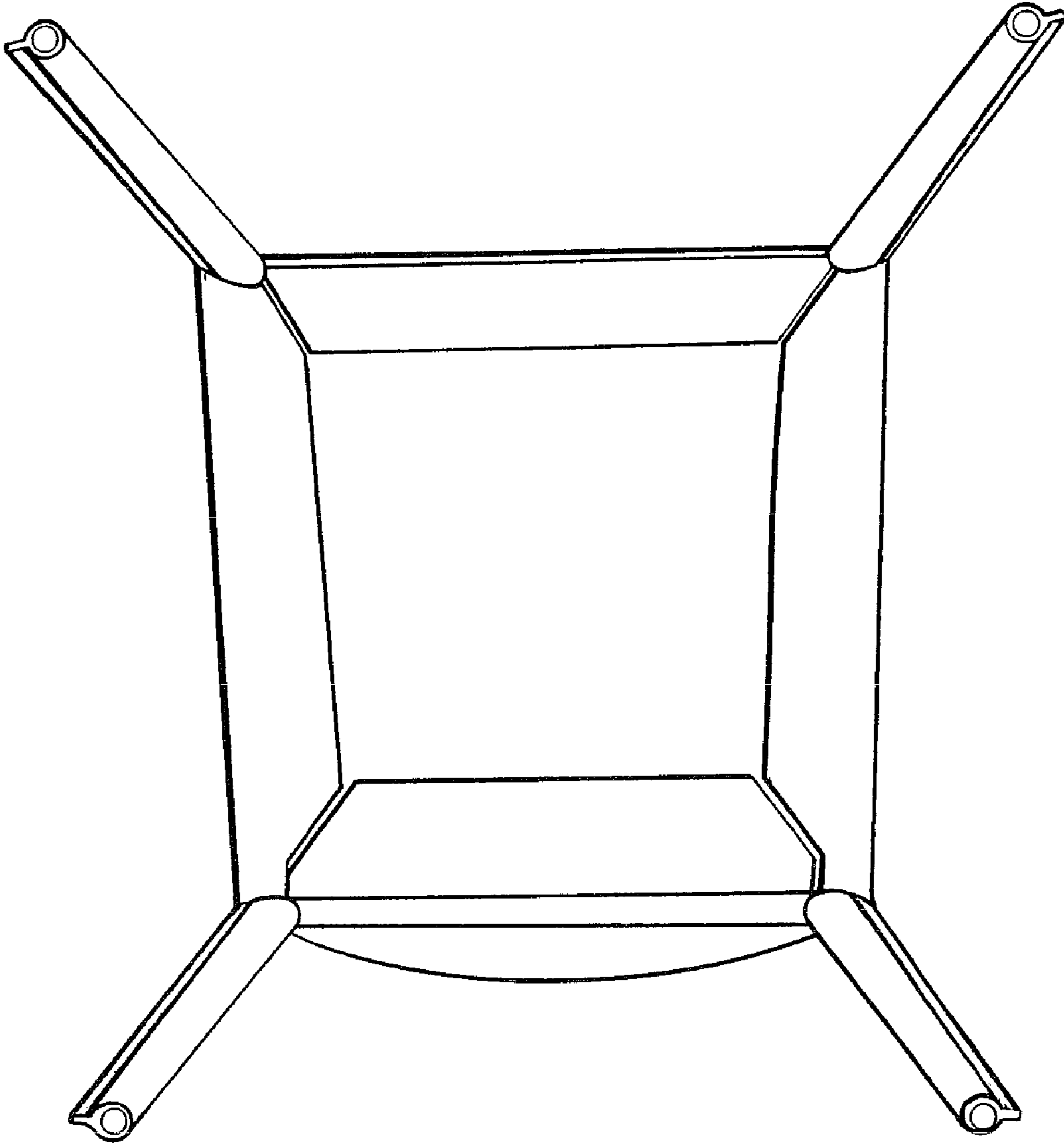


Fig. 7

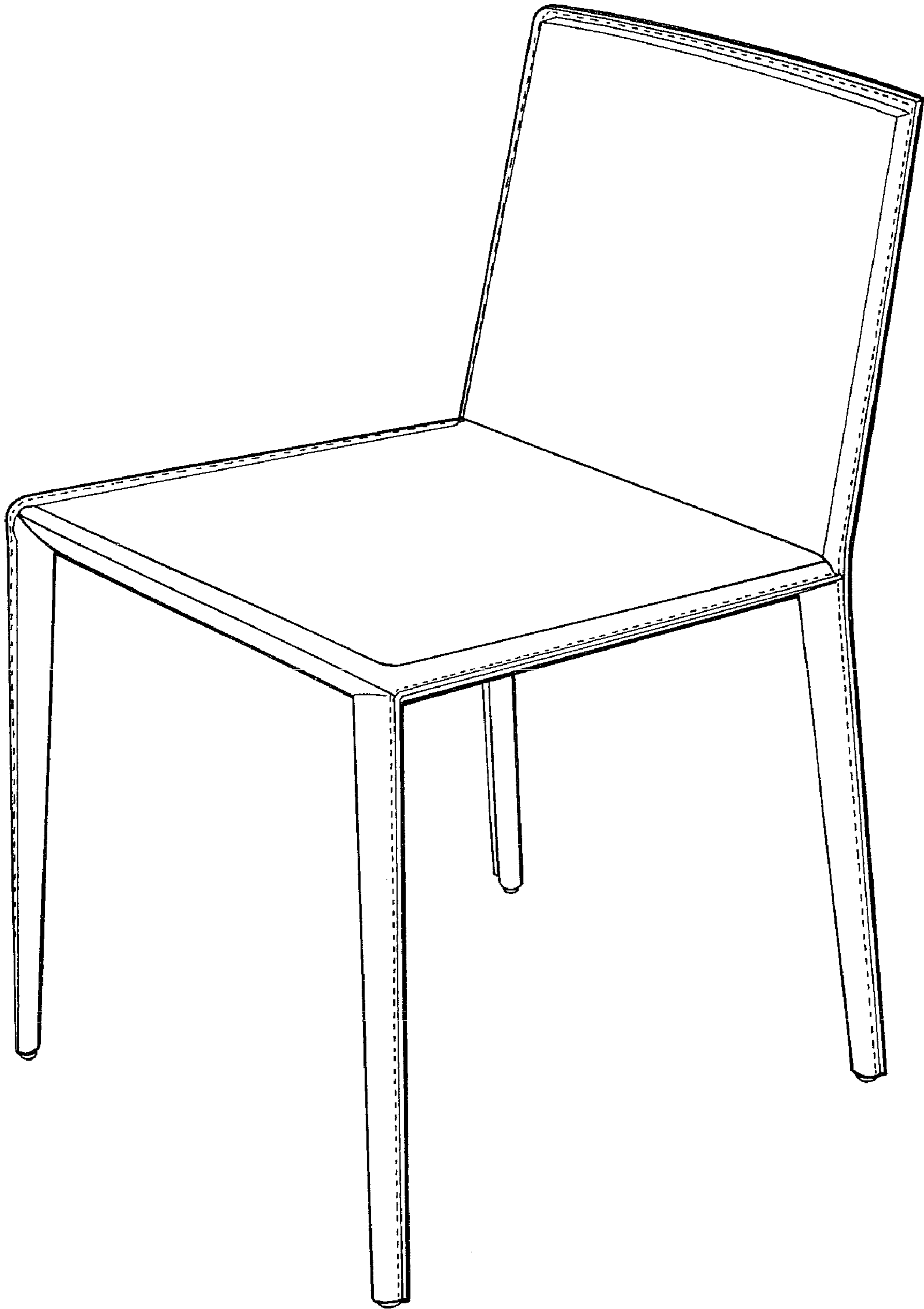


FIG. 8

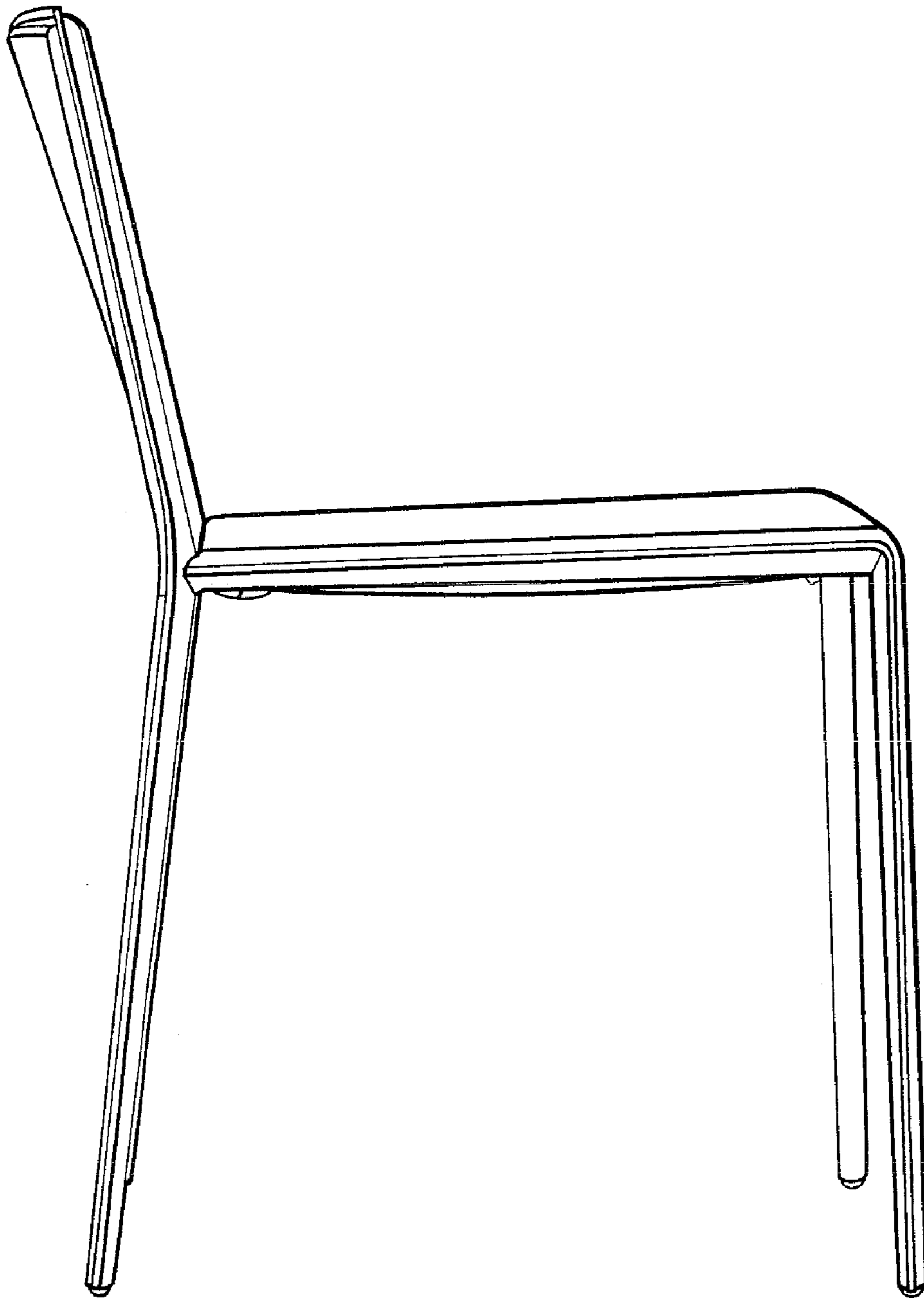


Fig. 9

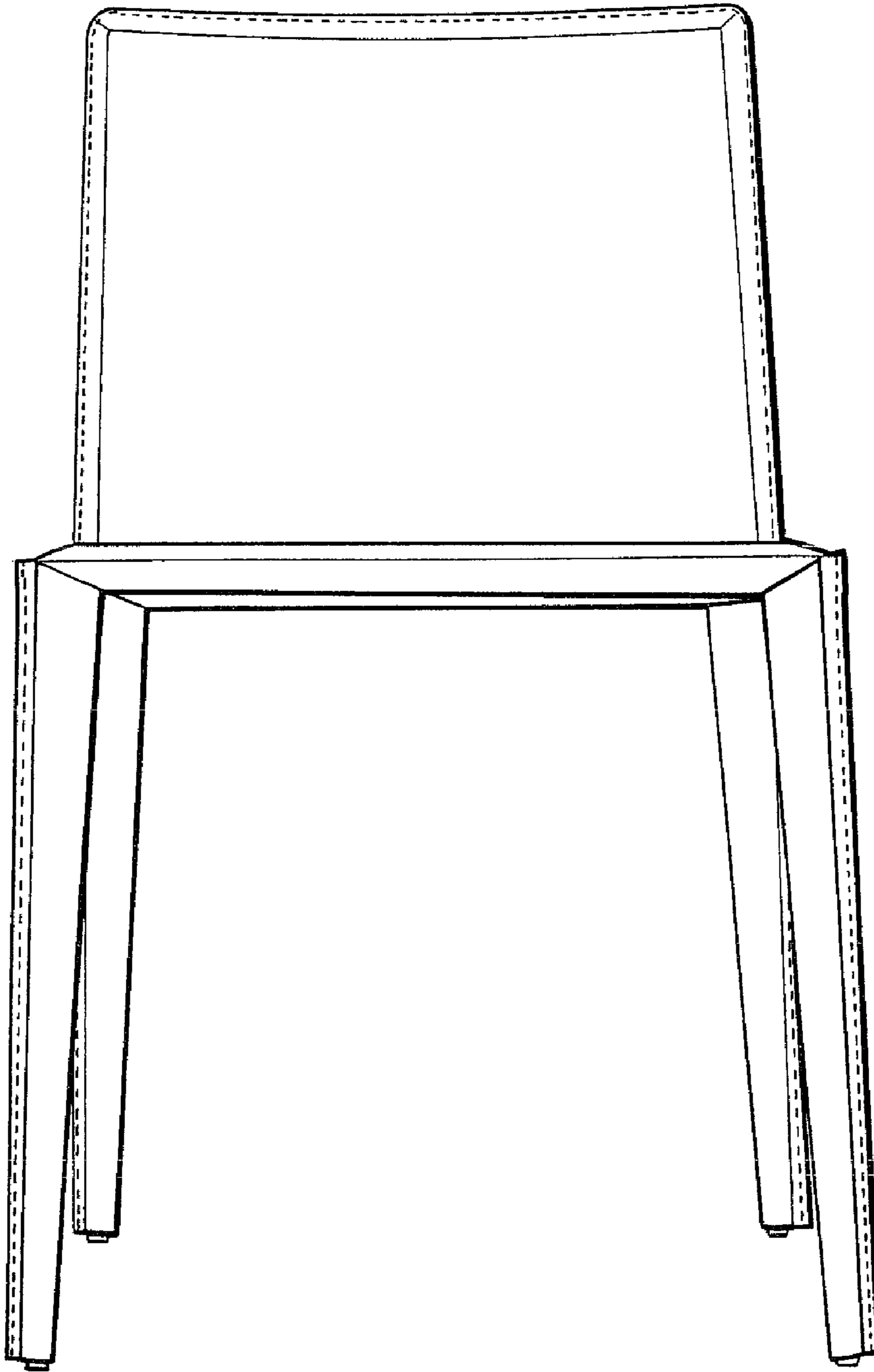


Fig. 10

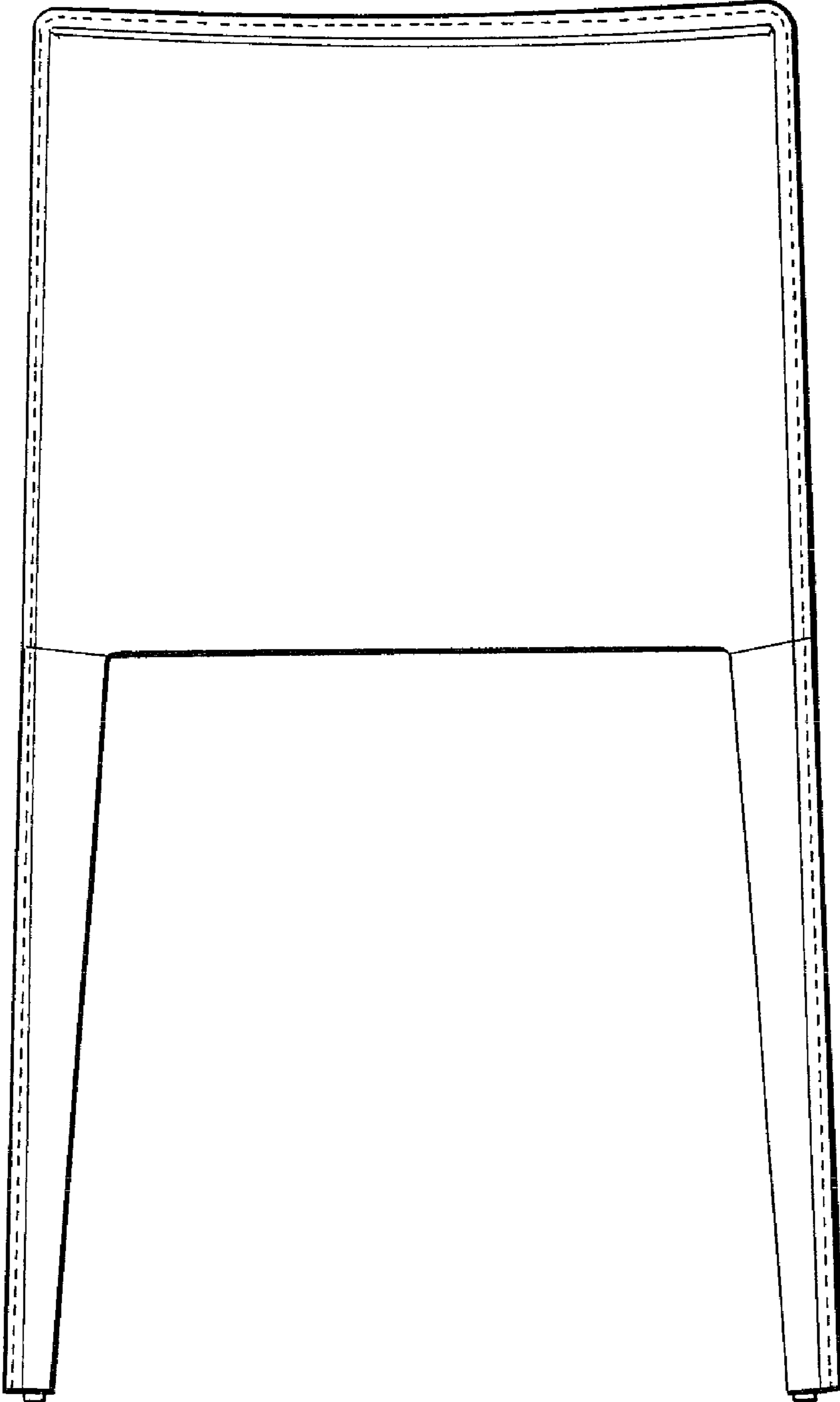


Fig. 11

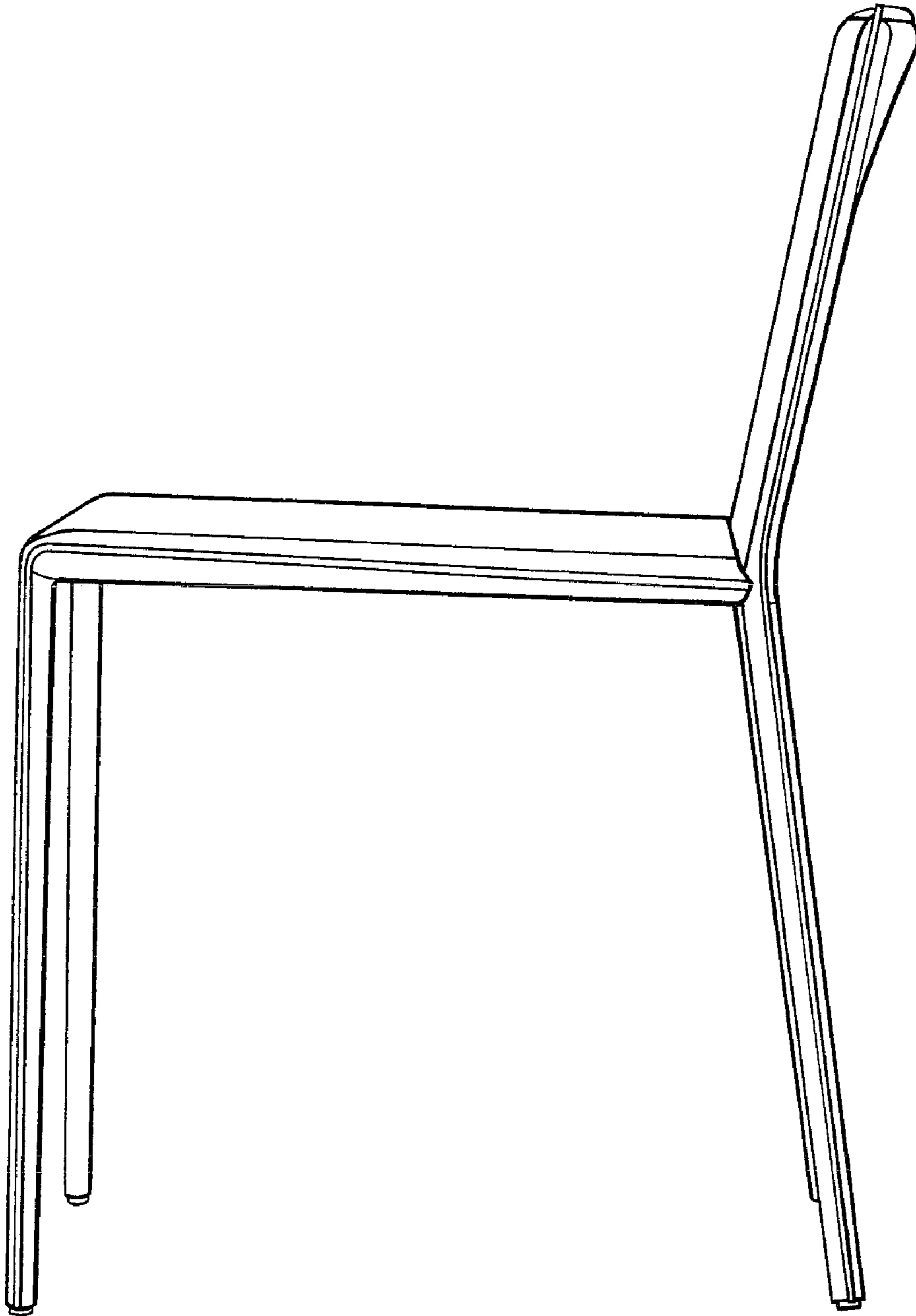


Fig. 12

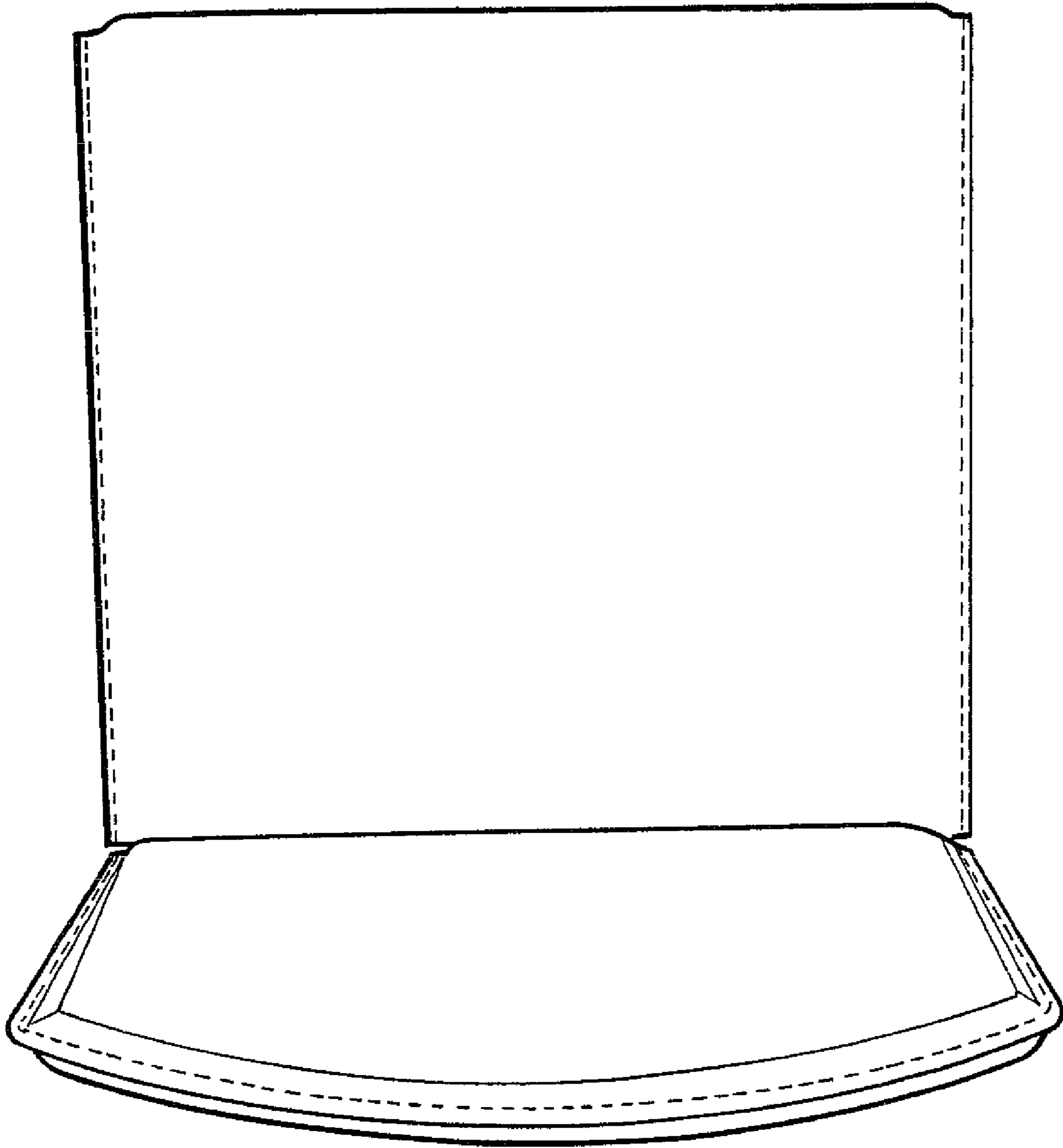


FIG. 13

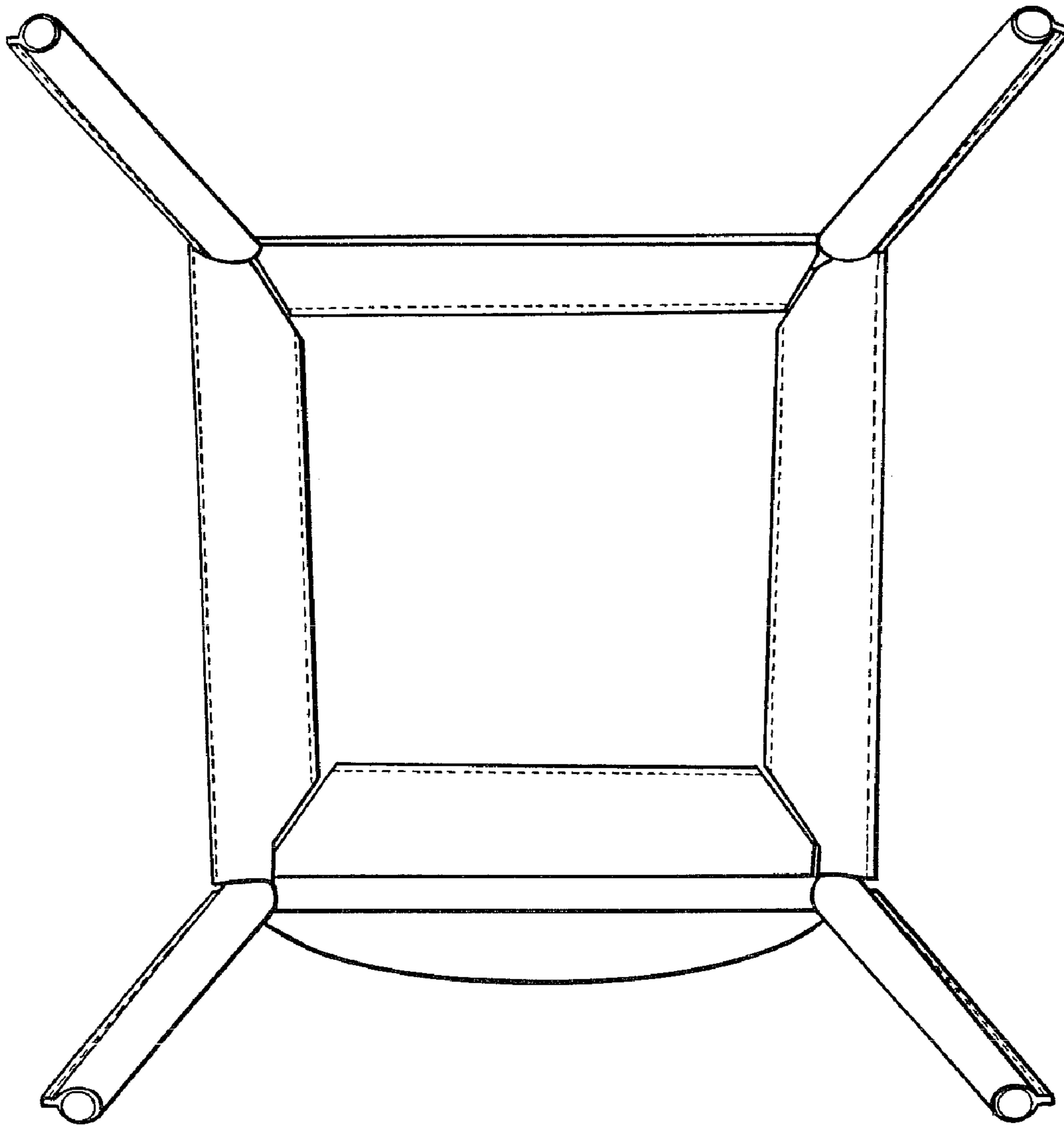


Fig. 14